



US00D589794S

(12) **United States Design Patent**
Branson et al.

(10) **Patent No.:** **US D589,794 S**
(45) **Date of Patent:** **** Apr. 7, 2009**

- (54) **SQUEEZE-AND-TURN CHILD RESISTANT CLOSURE**
- (75) Inventors: **Mark K. Branson**, Newburgh, IN (US);
Clifton C. Willis, Evansville, IN (US)
- (73) Assignee: **Rexam Closures and Containers Inc.**,
Evansville, IN (US)
- (**) Term: **14 Years**
- (21) Appl. No.: **29/328,515**
- (22) Filed: **Nov. 25, 2008**

Related U.S. Application Data

- (63) Continuation of application No. 12/208,943, filed on
Sep. 11, 2008.
- (51) **LOC (9) Cl.** **09-07**
- (52) **U.S. Cl.** **D9/435**
- (58) **Field of Classification Search** D9/716,
D9/715, 454, 453, 452, 450, 449, 447, 446,
D9/443, 438, 436, 435, 434; D7/643, 638,
D7/505, 396.2, 392, 392.1, 305; 426/120;
229/404, 401; 222/556, 480; 220/810, 713,
220/375, 254.1–254.9; 215/236, 235; 206/807;
D28/8.1
See application file for complete search history.

(56) **References Cited**

U.S. PATENT DOCUMENTS

- D54,265 S * 12/1919 Hyatt D9/435
- D111,450 S * 9/1938 Windbiel D9/452
- D183,424 S * 8/1958 Goldberg D9/452

- 3,244,272 A * 4/1966 Beaman et al. 206/0.82
- D220,169 S * 3/1971 Lundberg D9/449
- 3,581,926 A * 6/1971 Roder 215/330
- D357,865 S * 5/1995 Hansen D9/503
- D363,428 S * 10/1995 Halm D9/697
- D399,417 S * 10/1998 Meausoone D9/697
- D405,354 S * 2/1999 Meausoone D9/697
- 5,899,361 A * 5/1999 Durliat et al. 222/92
- D444,387 S * 7/2001 Adachi et al. D9/529
- D525,526 S * 7/2006 Abbott et al. D9/449
- D537,201 S * 2/2007 McLeish et al. D28/8.1

* cited by examiner

Primary Examiner—Susan Bennett Hattan

(74) *Attorney, Agent, or Firm*—Chad D. Bruggeman;
Middleton Reutlinger

(57) **CLAIM**

The ornamental design for a squeeze-and-turn child resistant closure, as shown and described.

DESCRIPTION

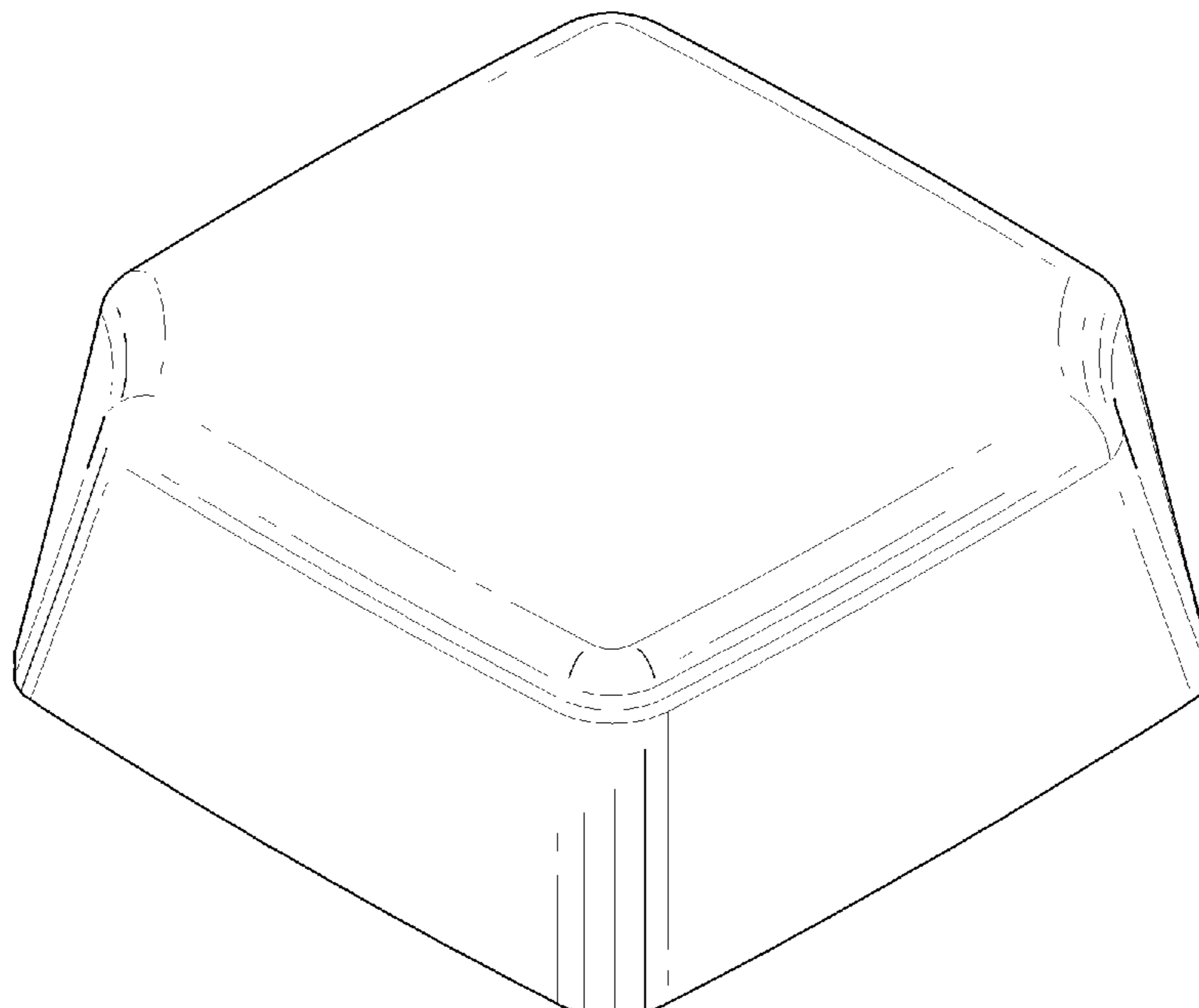
FIG. 1 is a top perspective view of the squeeze-and-turn child resistant closure;

FIG. 2 is a top view of the squeeze-and-turn child resistant closure according to FIG. 1, the bottom of the closure forming no part of the claimed design;

FIG. 3 is a front or back view of the squeeze-and-turn child resistant closure according to FIG. 1, the two views being identical; and,

FIG. 4 is a left or right side view of the squeeze-and-turn child resistant closure according to FIG. 1, the two views being identical.

1 Claim, 2 Drawing Sheets



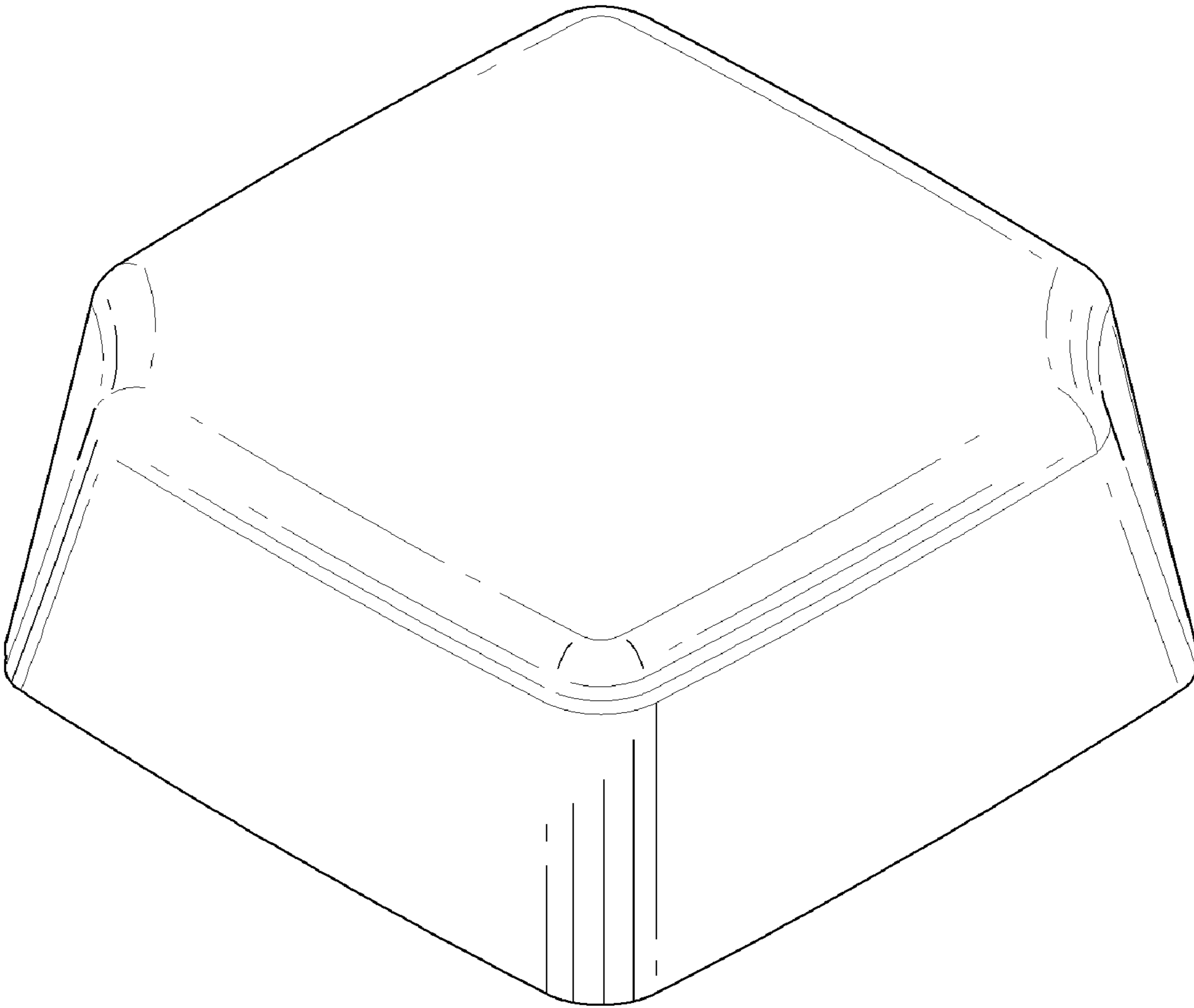


FIG. 1

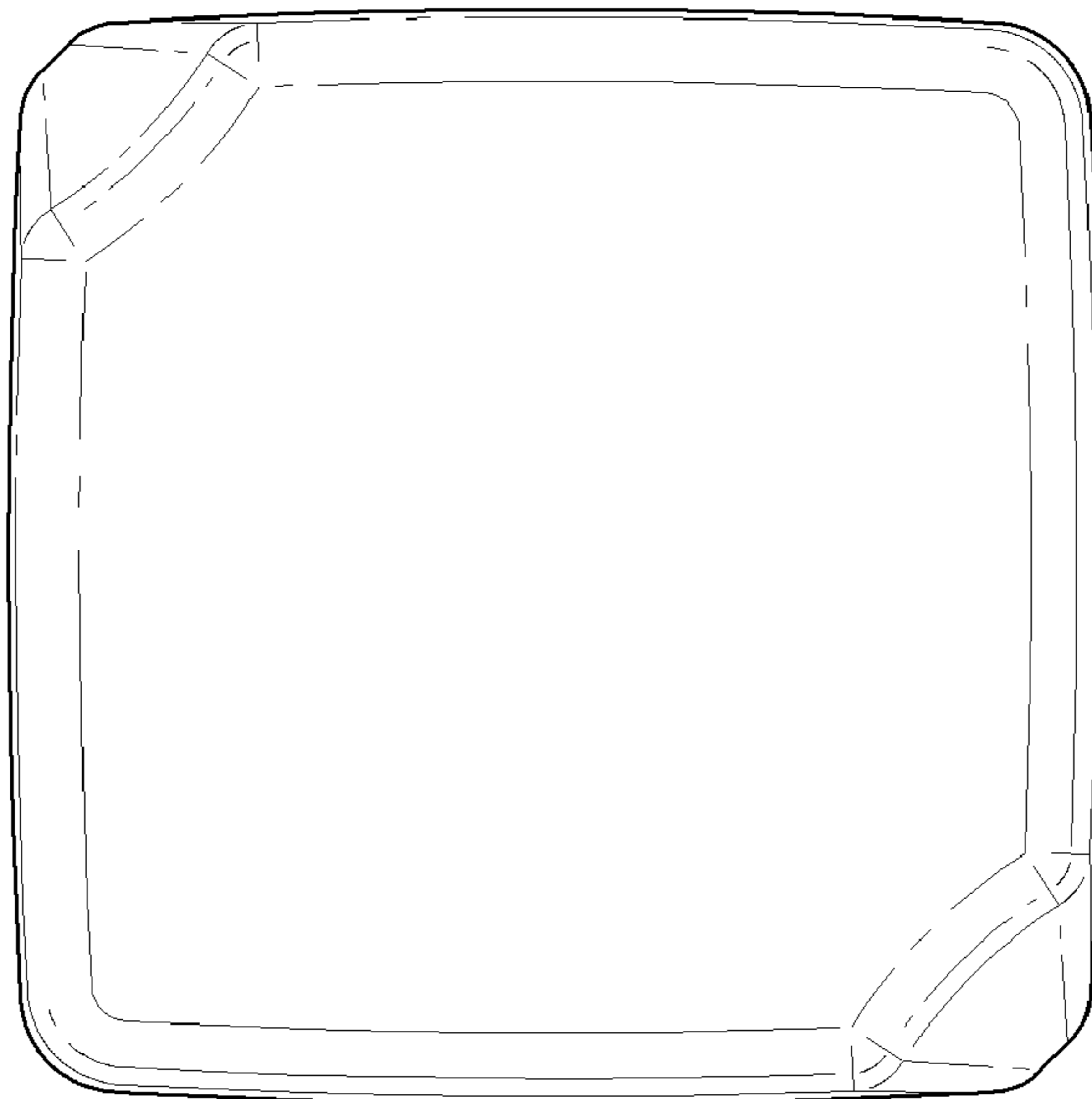


FIG. 2

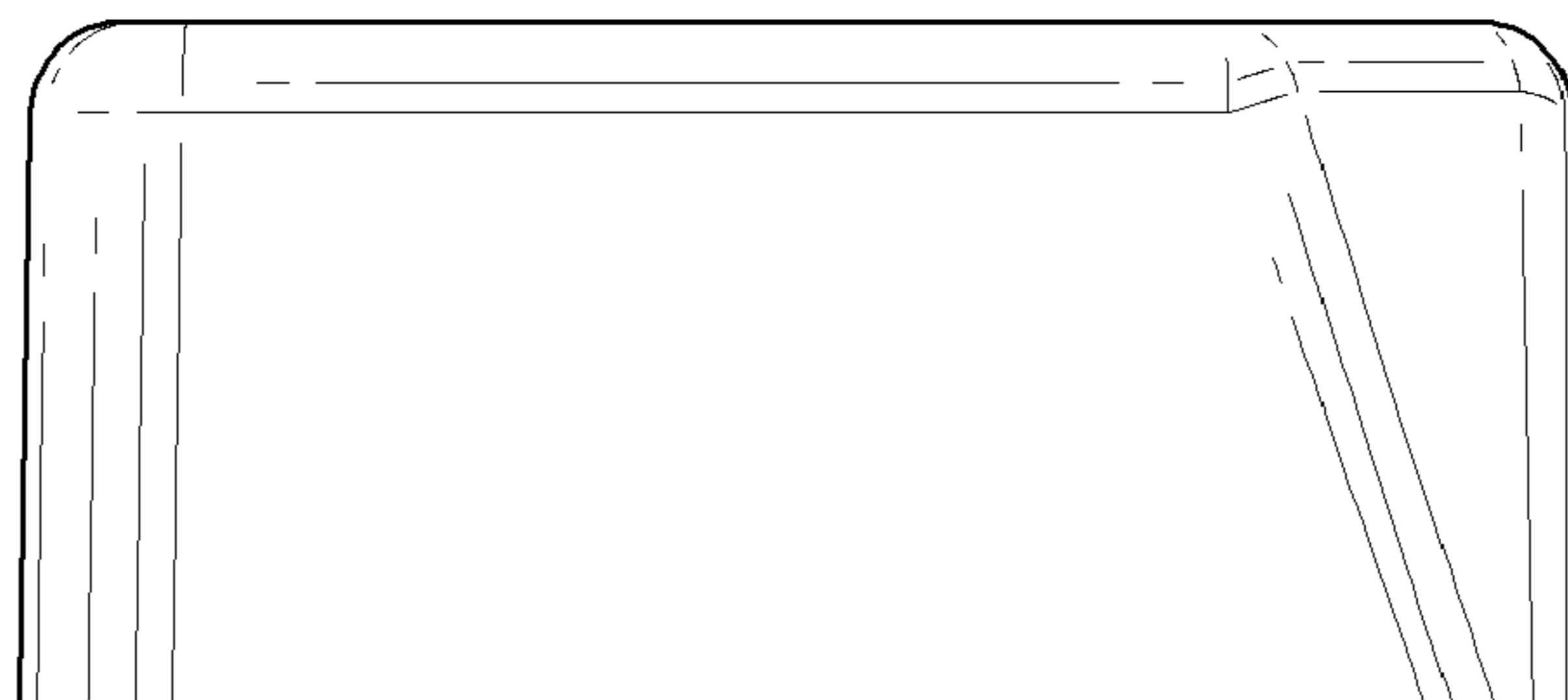


FIG. 3

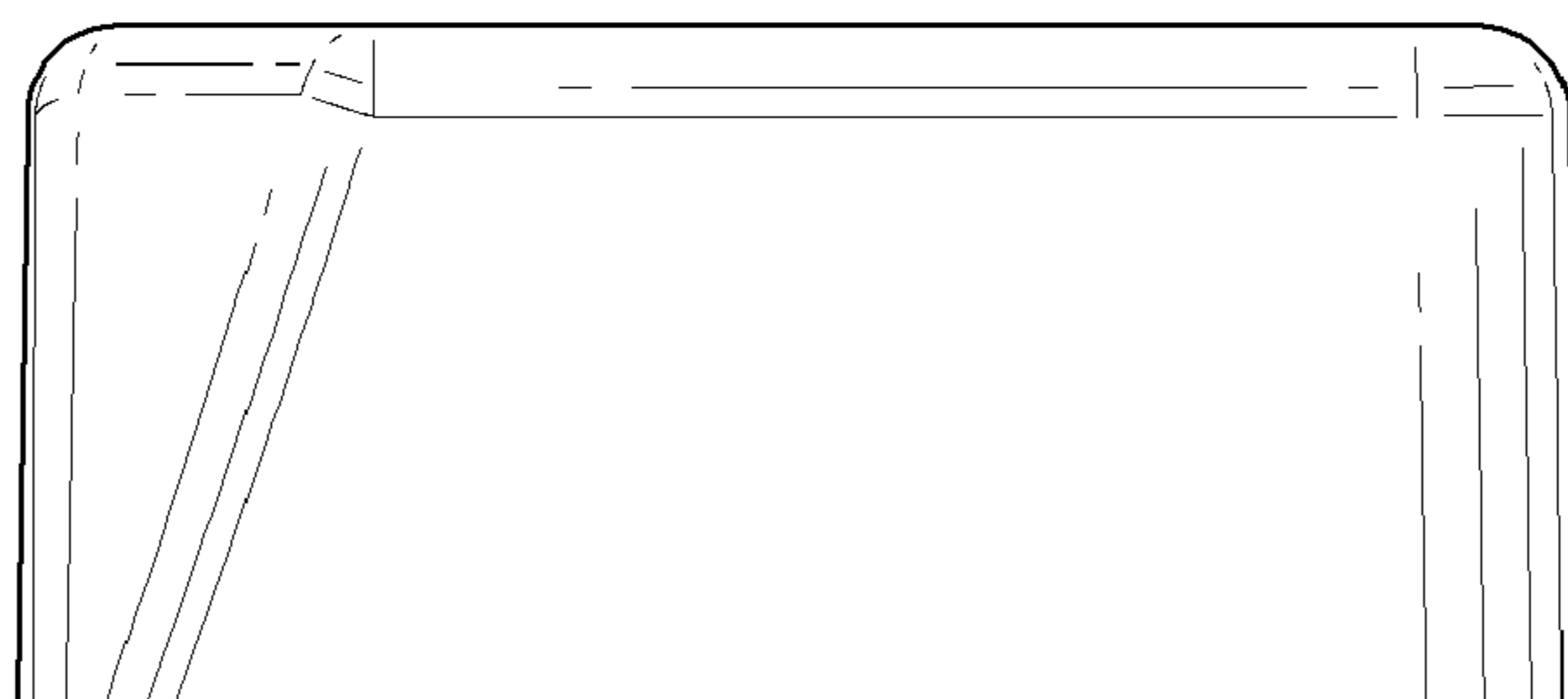


FIG. 4