



US00D589790S

(12) **United States Design Patent**
Shaver et al.

(10) **Patent No.:** **US D589,790 S**
(45) **Date of Patent:** **** Apr. 7, 2009**

(54) **PRODUCE CONTAINER**

(75) Inventors: **David Shaver**, Kingsbury, TX (US);
Bryant P. Ambelang, San Antonio, TX (US)

(73) Assignee: **Desert Glory, Ltd.**, San Antonio, TX (US)

(**) Term: **14 Years**

(21) Appl. No.: **29/299,249**

(22) Filed: **Dec. 20, 2007**

Related U.S. Application Data

(62) Division of application No. 29/214,002, filed on Sep. 24, 2004, now Pat. No. Des. 562,678.

(51) **LOC (9) Cl.** **09-03**

(52) **U.S. Cl.** **D9/428; D9/425**

(58) **Field of Classification Search** D9/428, D9/414, 416, 418, 419, 424, 425, 429, 430, D9/451; D7/602, 608, 613; 206/457, 775, 206/776, 782, 815; 220/4.25, 4.27, 796
See application file for complete search history.

(56) **References Cited**

U.S. PATENT DOCUMENTS

5,345,784 A * 9/1994 Bazemore et al. 62/371
D364,804 S 12/1995 Pedersen-Rask et al.

D374,820 S * 10/1996 Knoss et al. D9/429
D391,163 S 2/1998 Hanna et al.
D398,845 S 9/1998 Wyslowsky
5,860,549 A 1/1999 Allers et al.
5,862,977 A 1/1999 Hirano
D415,025 S 10/1999 McCann
D440,155 S 4/2001 Schaefer
D453,107 S 1/2002 Wyslowsky et al.
D494,062 S * 8/2004 Willis D9/428

* cited by examiner

Primary Examiner—Prabhakar Deshmukh

Assistant Examiner—Derrick Holland

(74) *Attorney, Agent, or Firm*—Fulbright & Jaworski L.L.P.

(57) **CLAIM**

The ornamental design for a produce container, as shown and described.

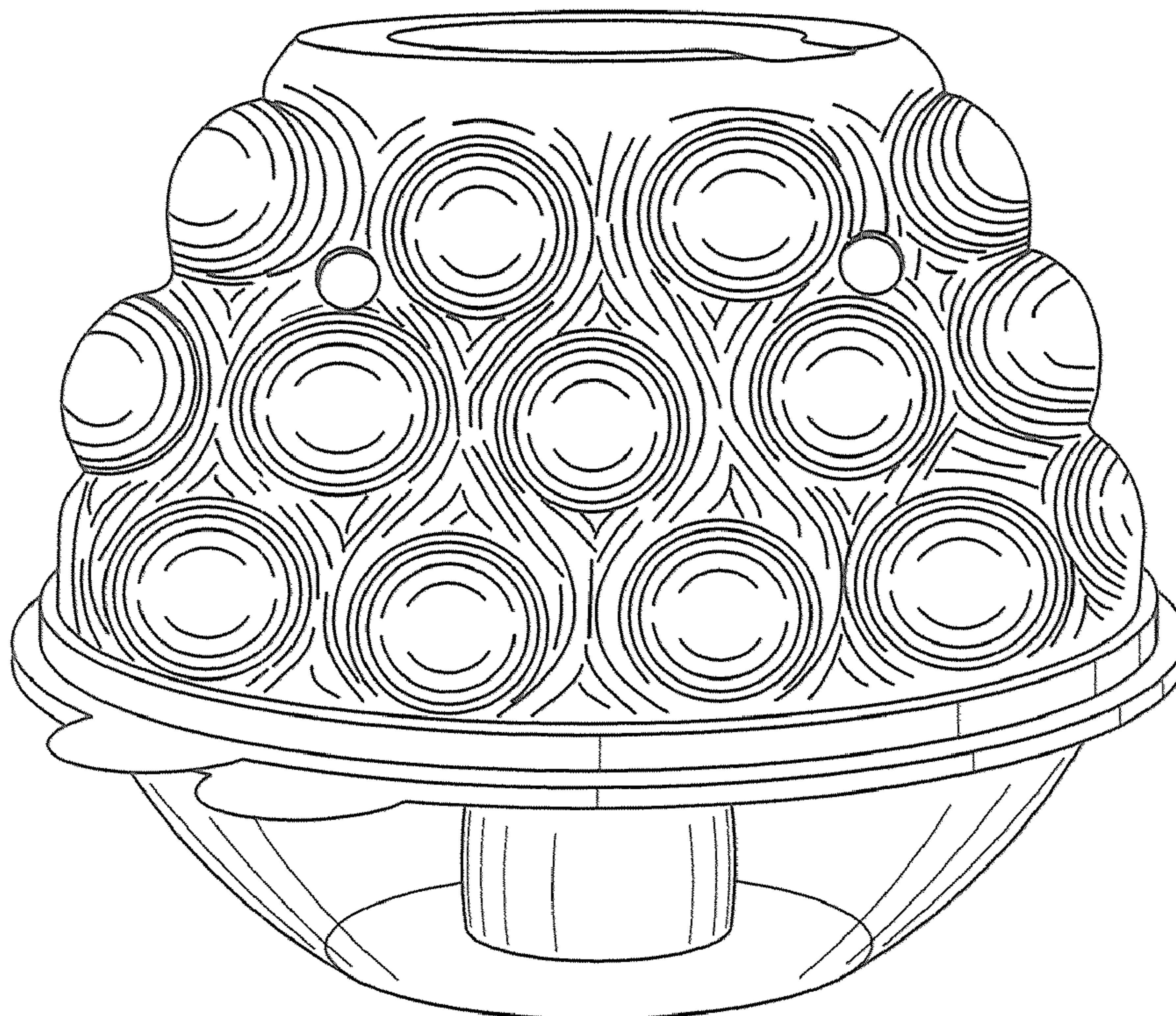
DESCRIPTION

FIG. 1 is a perspective view of a produce container showing our new design; and,

FIG. 2 is a perspective view of another embodiment of FIG. 1.

The portions of the article in broken lines are shown for illustrative purposes only and form no part of the claimed design.

1 Claim, 2 Drawing Sheets



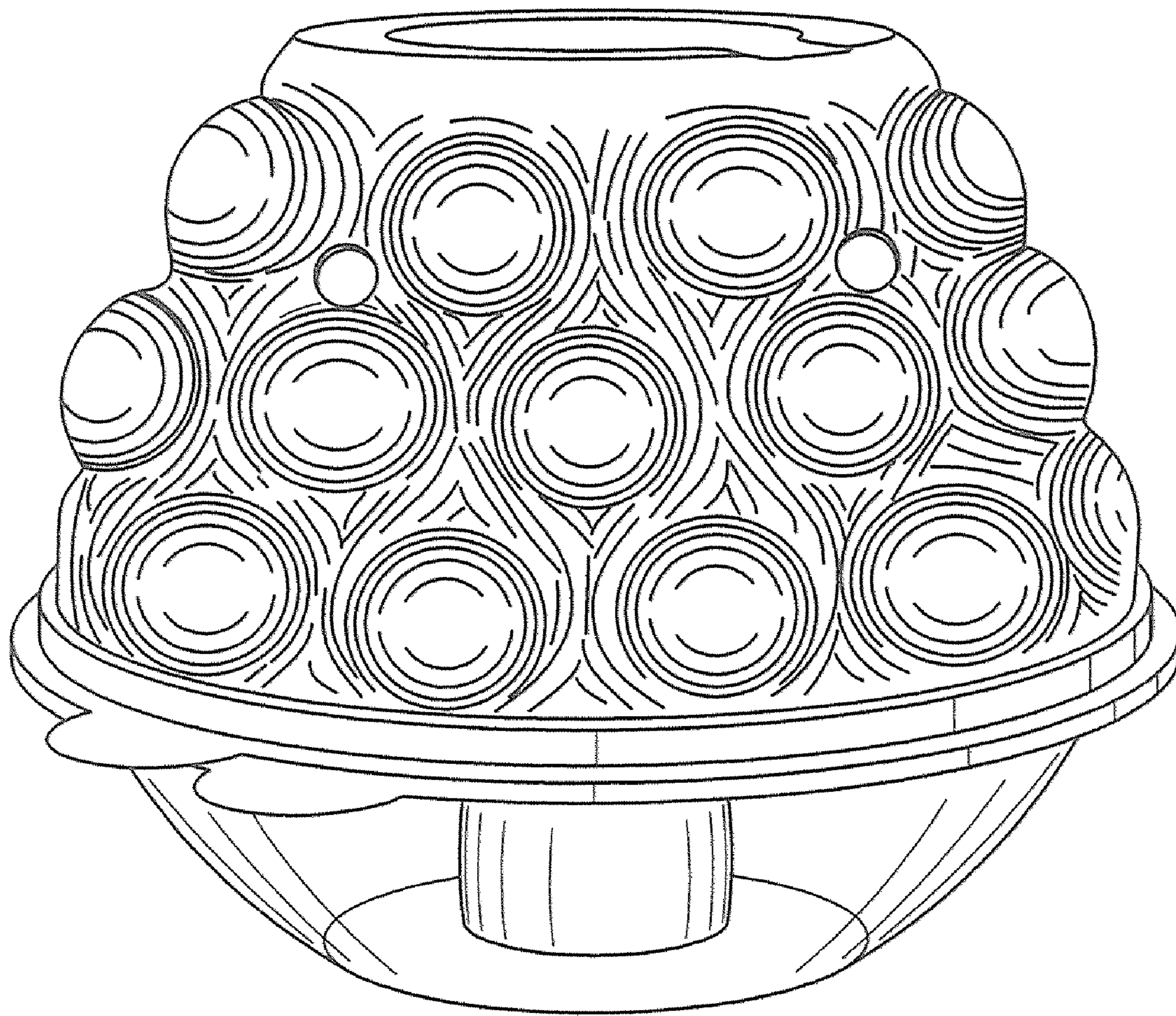


FIG. 1

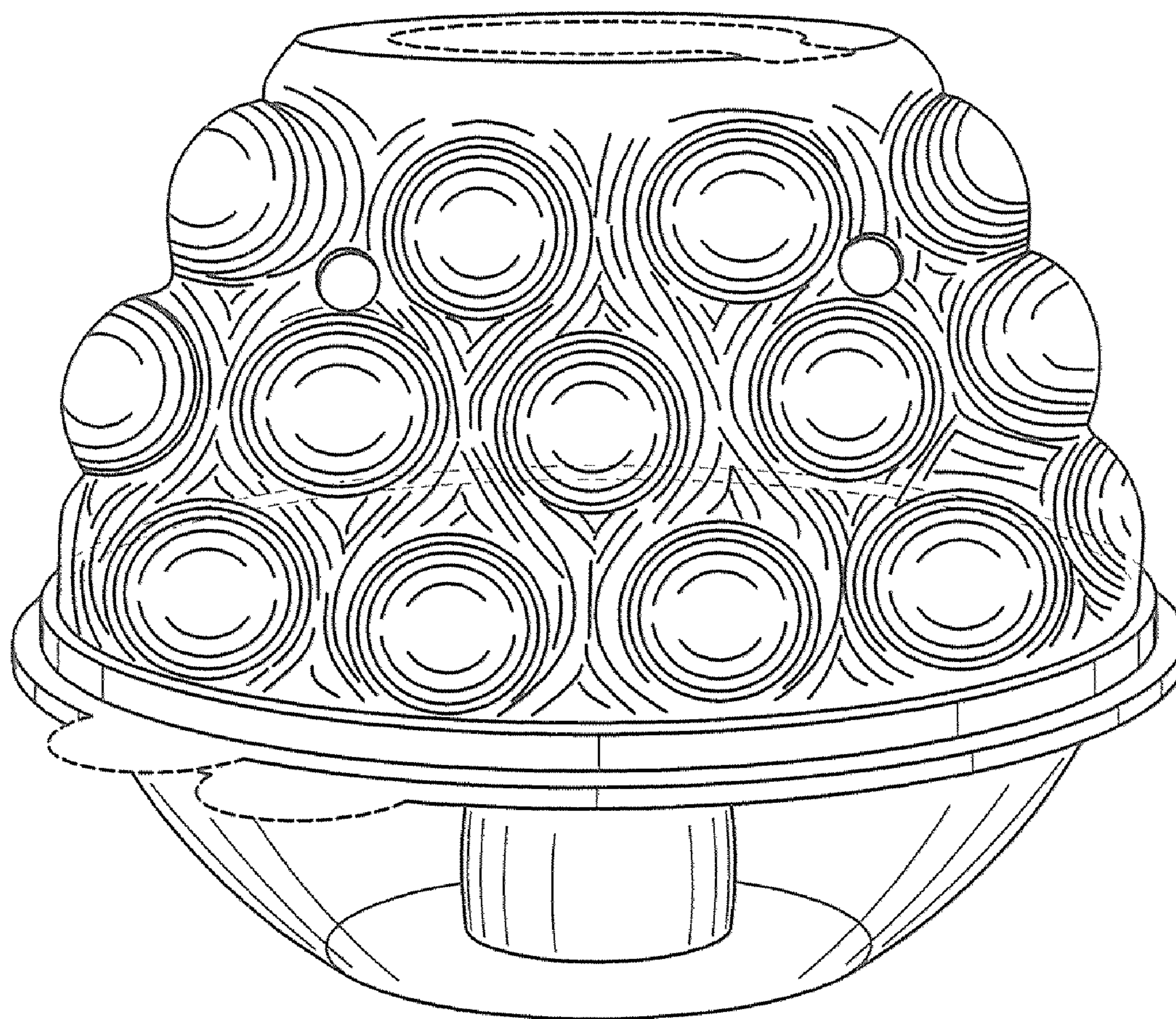


FIG. 2