



US00D589787S

(12) **United States Design Patent**
Ruybal

(10) **Patent No.:** **US D589,787 S**
(45) **Date of Patent:** **** Apr. 7, 2009**

(54) **SHOWCASE STORAGE CONTAINER FOR COLLECTIBLE ITEMS**

(76) Inventor: **Tim Ruybal**, 6635 E. Villanova Pl., Denver, CO (US) 80224

(**) Term: **14 Years**

(21) Appl. No.: **29/295,295**

(22) Filed: **Sep. 25, 2007**

(51) **LOC (9) Cl.** **09-03**

(52) **U.S. Cl.** **D9/418**

(58) **Field of Classification Search** D9/414-416, D9/418, 420, 424-432, 433, 443, 527-530, D9/704, 730-734, 751-757; D7/354, 360, D7/505, 540-545, 554, 565-567, 570, 574, D7/584-586, 590, 604, 629, 667; D30/123, D30/129-133; 426/115, 122, 394; 206/162, 206/170, 216, 469, 471, 497, 508, 536, 557, 206/804, 815; 220/4.21-4.22, 266, 350, 220/470, 471, 495.01, 557, 574, 618, 793; 229/117.14, 117.18, 123.1, 125.35, 220, 229/406, 362.4; D3/203.2, 304, 314, 294, D3/323; 221/250, 260, 267, 281, 299, 807
See application file for complete search history.

(56) **References Cited**

U.S. PATENT DOCUMENTS

D55,496	S	*	6/1920	White	D7/590
D122,774	S	*	10/1940	Frederick	D7/553.4
3,278,109	A	*	10/1966	Salway	206/484
3,685,717	A	*	8/1972	Seiferth et al.	426/108
D289,974	S	*	5/1987	Hamilton et al.	D9/754
D313,936	S	*	1/1991	Ferrero	D9/418
D320,552	S	*	10/1991	Chanel	D9/757
D334,535	S	*	4/1993	Piccione et al.	D9/415
D351,787	S	*	10/1994	Hansen	D9/751
D381,515	S	*	7/1997	Haynes	D3/313
D433,939	S	*	11/2000	Humphrey	D9/418
D503,883	S	*	4/2005	Cox	D9/418

D560,490 S * 1/2008 Kirk et al. D9/416

* cited by examiner

Primary Examiner—Robert M Spear

Assistant Examiner—Susan E Krakower

(74) *Attorney, Agent, or Firm*—Lee G. Meyer, Esq.; Meyer & Associates, LLC

(57) **CLAIM**

The ornamental design for a showcase storage container for collectible items, as shown and described.

DESCRIPTION

The claimed showcase storage container for collectible items is used as a showcase and storage container for collectible coins.

FIG. 1 is a perspective view of the showcase storage container for collectible items showing my new design.

FIG. 2 is a top view of the showcase storage container for collectible items.

FIG. 3 is a bottom view of the showcase storage container for collectible items.

FIG. 4 is a side view of the showcase storage container for collectible items.

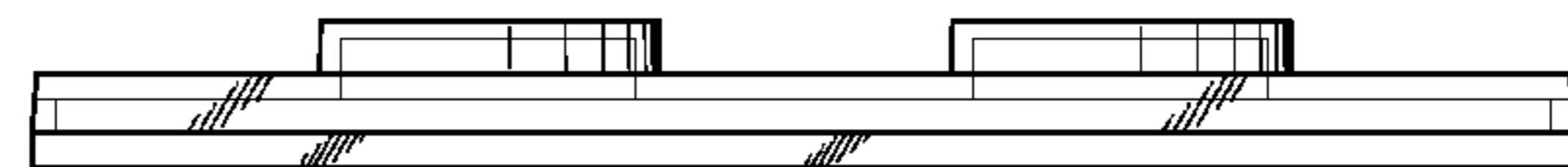
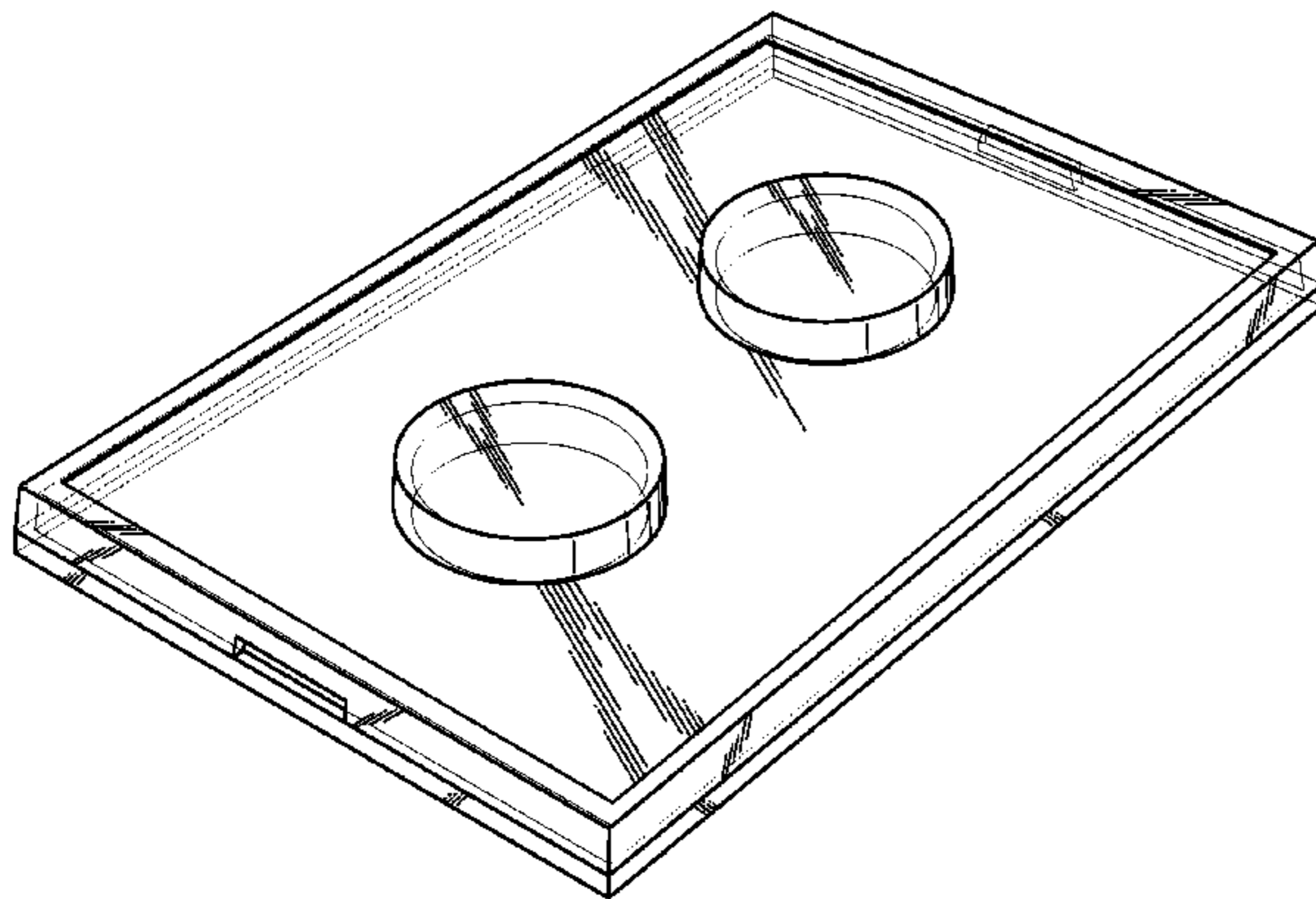
FIG. 5 is a front view of the showcase storage container for collectible items.

FIG. 6 is a perspective view of the showcase storage container for collectible items in an open position with the lid on the top and the base on the bottom.

FIG. 7 is a side view of the showcase storage container for collectible items in an open position with the lid on the top and the base on the bottom; and,

FIG. 8 is a front view of the showcase storage container for collectible items in an open position with the lid on the top and the base on the bottom.

1 Claim, 3 Drawing Sheets



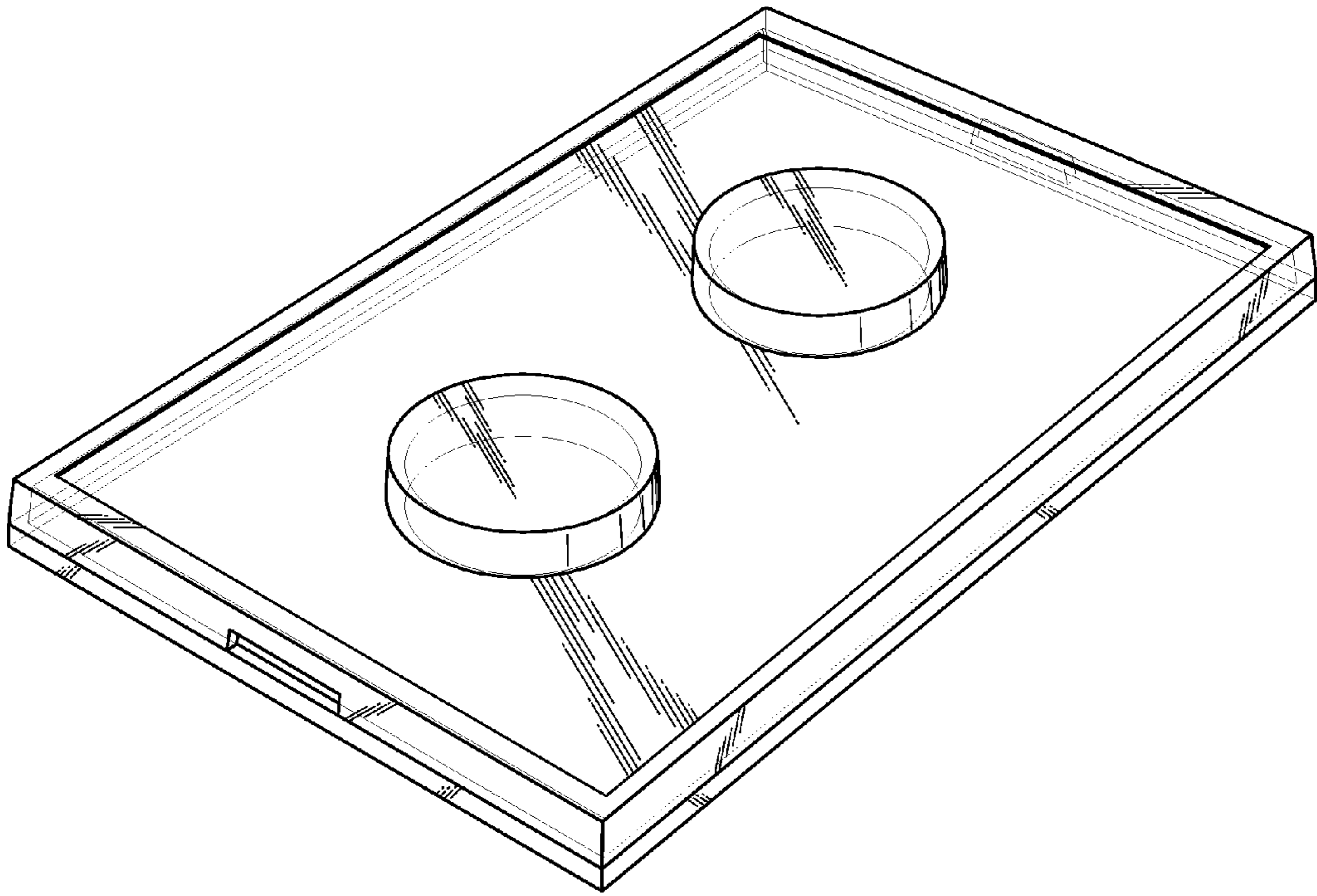


FIG. 1

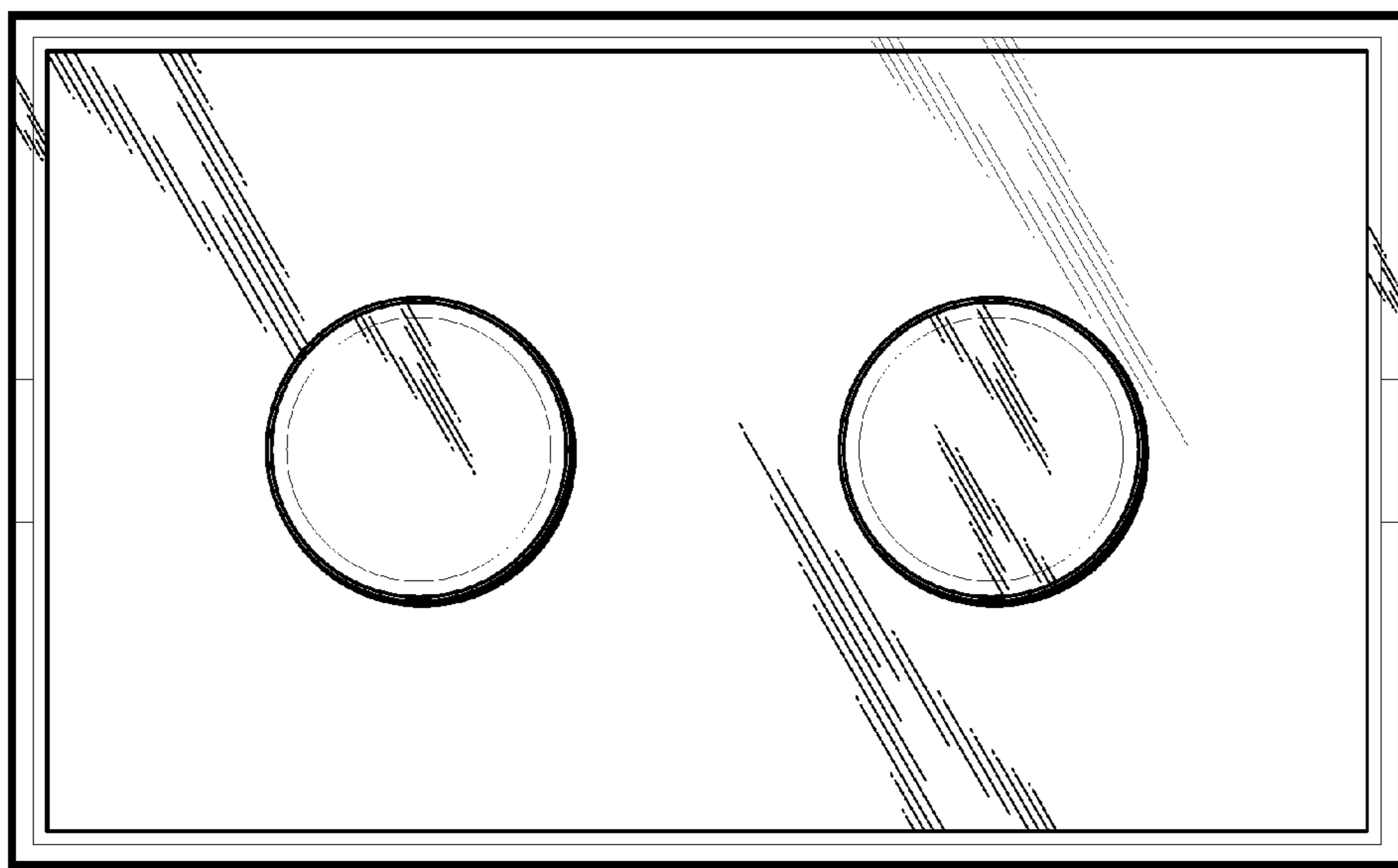


FIG. 2

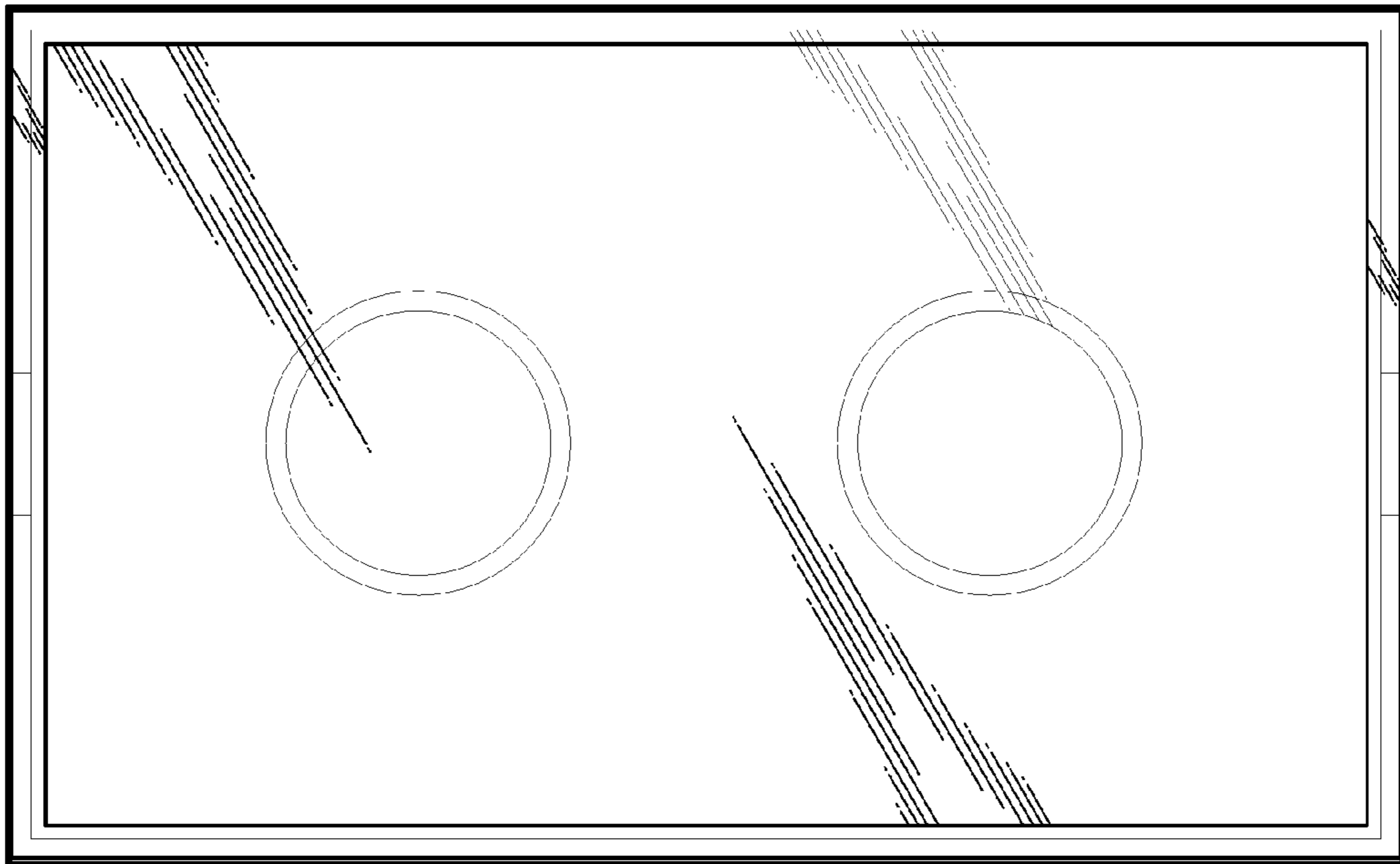


FIG. 3

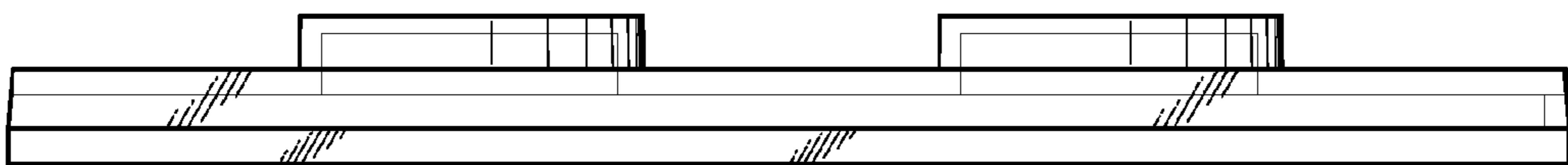


FIG. 4

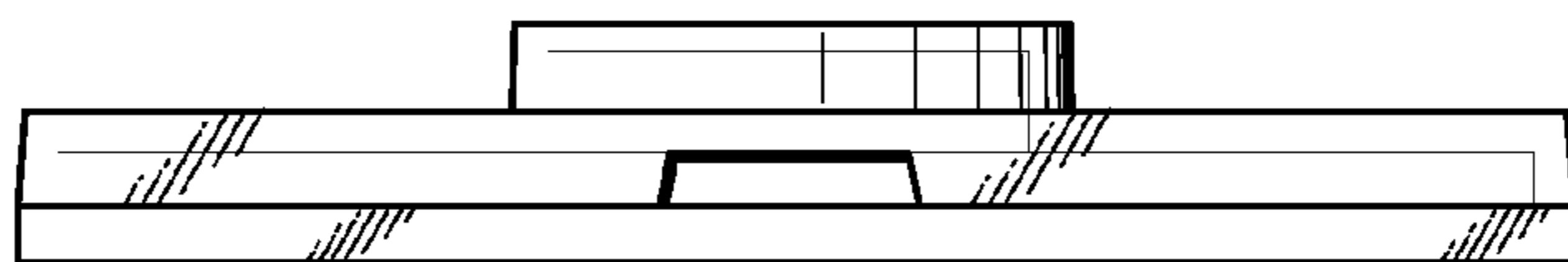


FIG. 5

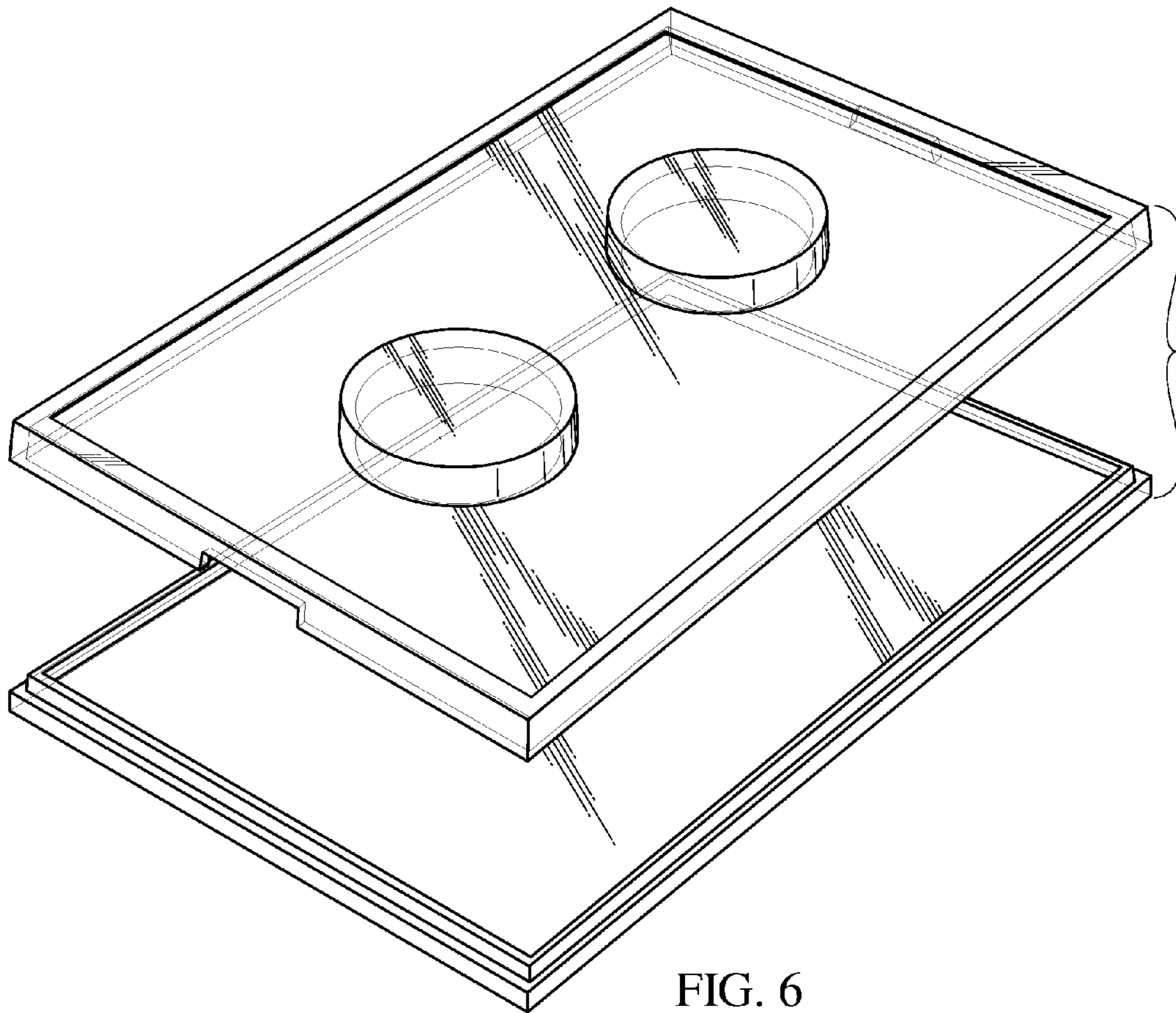


FIG. 6

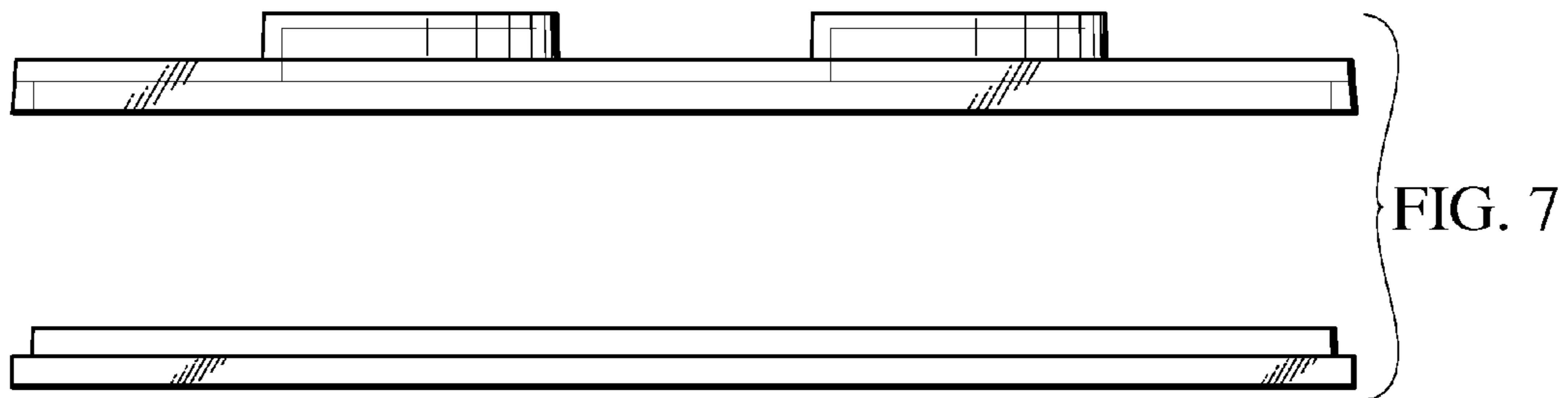


FIG. 7

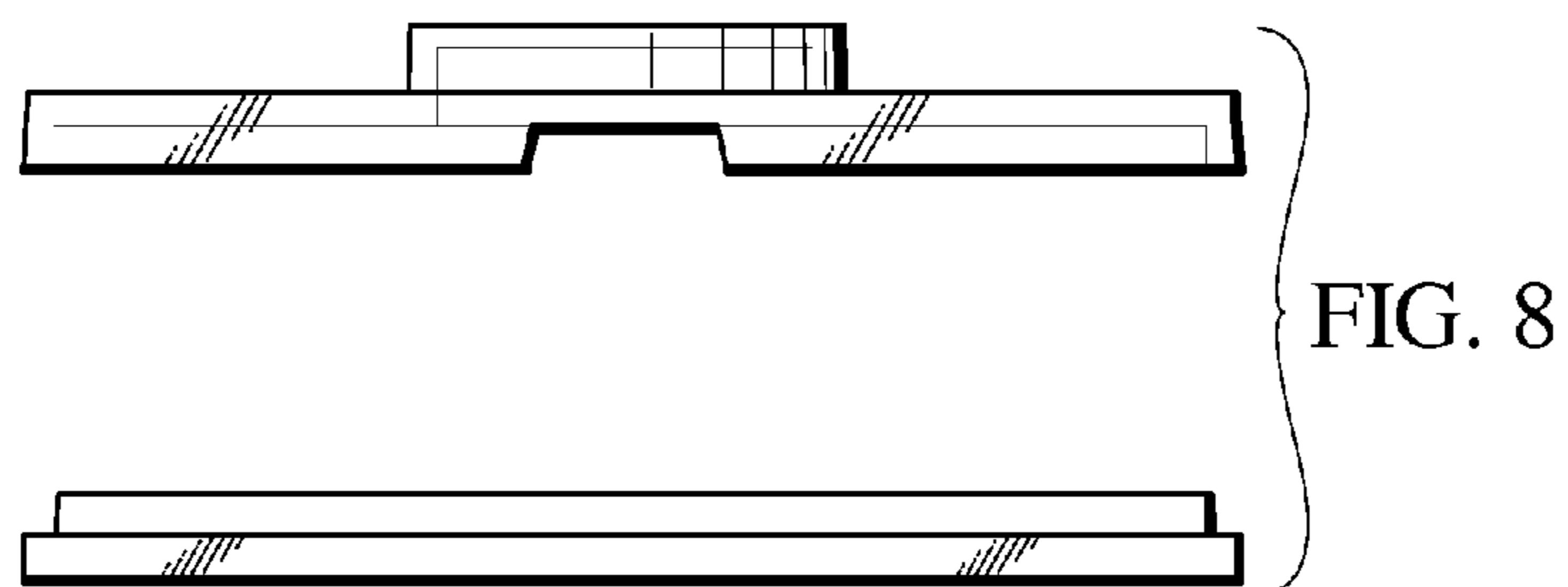


FIG. 8