

US00D589786S

(12) **United States Design Patent**
Suehiro et al.

(10) **Patent No.:** **US D589,786 S**

(45) **Date of Patent:** **** Apr. 7, 2009**

(54) **LINER WITH AN ANCHOR**

7,160,630 B2 * 1/2007 Klos 428/658
D563,216 S * 3/2008 Suehiro et al. D8/387
D573,877 S * 7/2008 Vautour D8/387

(75) Inventors: **Morio Suehiro**, Osaka (JP); **Hiroyuki Suehiro**, Osaka (JP)

* cited by examiner

(73) Assignee: **Suehiro-System Co., Ltd.**, Osaka (JP)

Primary Examiner—Holly H Baynham

(**) Term: **14 Years**

Assistant Examiner—Sheryl Lane

(21) Appl. No.: **29/250,491**

(74) *Attorney, Agent, or Firm*—Oliff & Berridge, PLC

(22) Filed: **Nov. 17, 2006**

(57) **CLAIM**

(51) **LOC (9) Cl.** **08-08**

The ornamental design for a liner with an anchor, as shown and described.

(52) **U.S. Cl.** **D8/387**

(58) **Field of Classification Search** 411/378,
411/393, 402, 403, 6, 7; D8/393, 387
See application file for complete search history.

DESCRIPTION

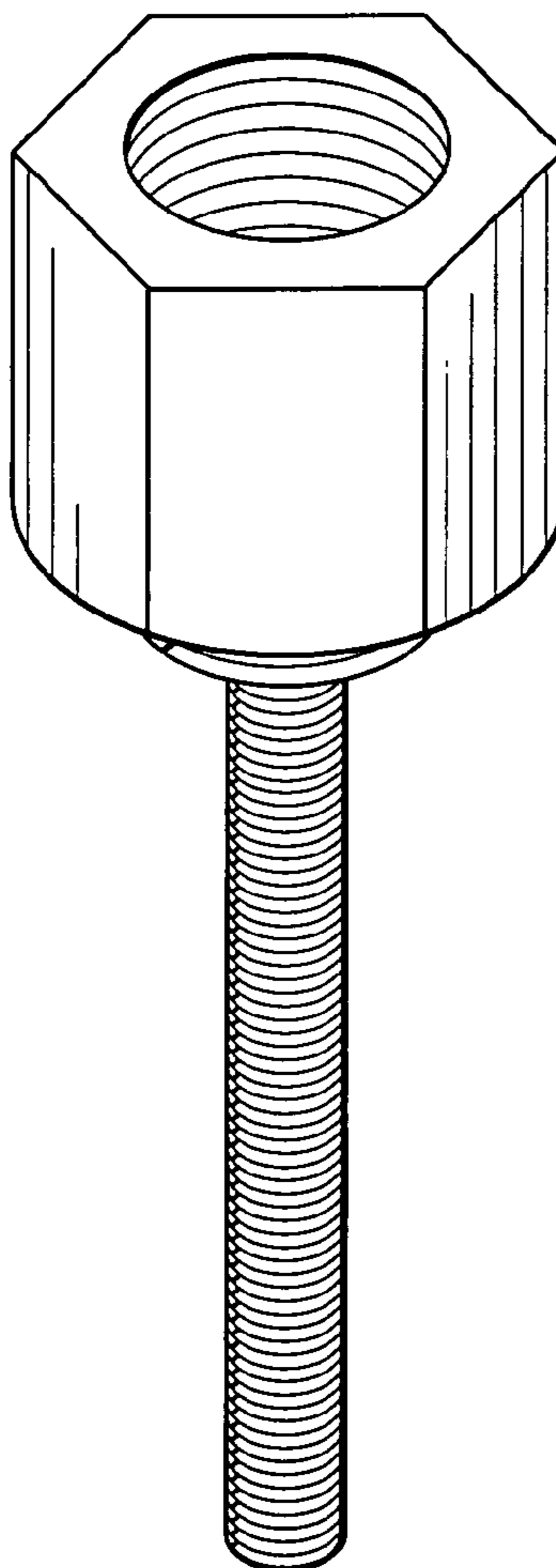
(56) **References Cited**

FIG. 1 is a front view of a liner with an anchor;
FIG. 2 is a left side view of the liner with an anchor thereof;
FIG. 3 is a right side view of the liner with an anchor thereof;
FIG. 4 is a plan view of the liner with an anchor thereof; and,
FIG. 5 is a top perspective view of the liner with an anchor showing my design, rotated 90° with respect to FIG. 1.

U.S. PATENT DOCUMENTS

D415,016 S * 10/1999 Murguia D8/387
D418,048 S * 12/1999 Chan D8/387
D455,338 S * 4/2002 Moser D8/387
6,802,680 B1 * 10/2004 Rubenstein 411/7

1 Claim, 2 Drawing Sheets



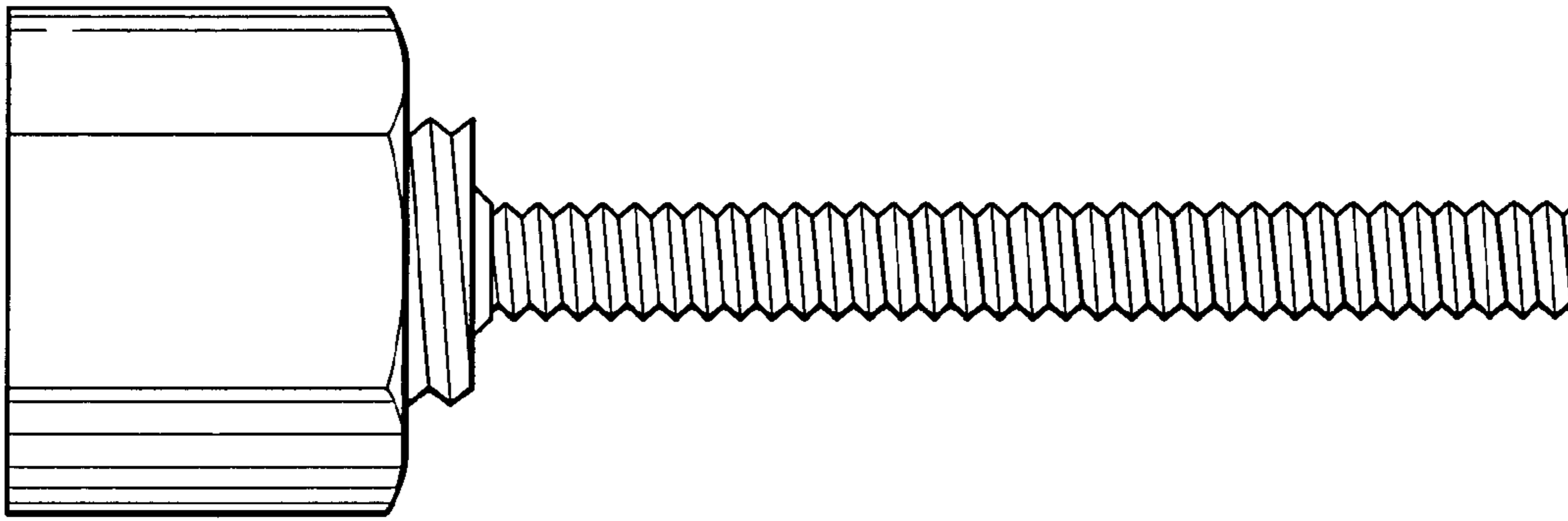


FIG. 1

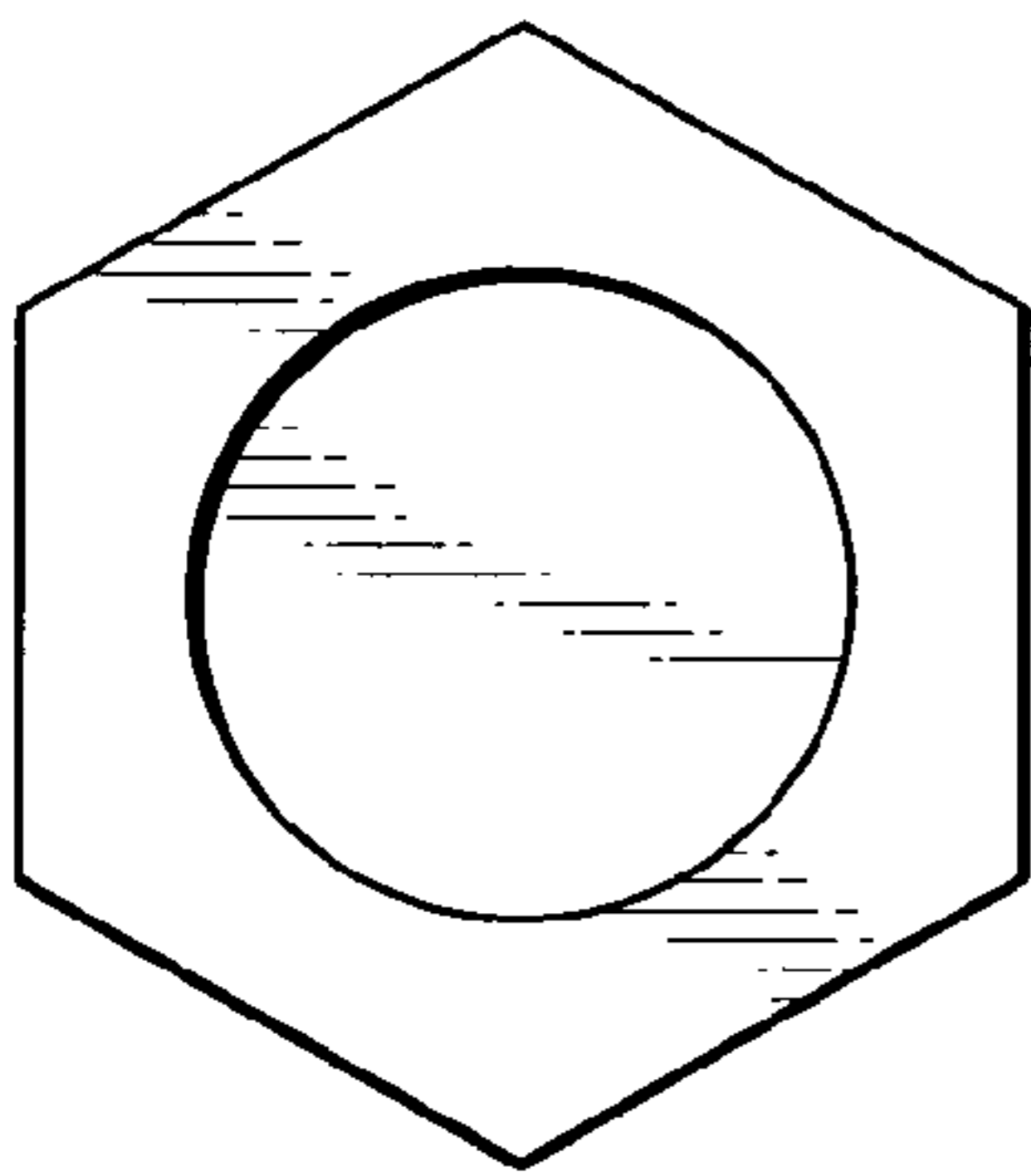


FIG. 2

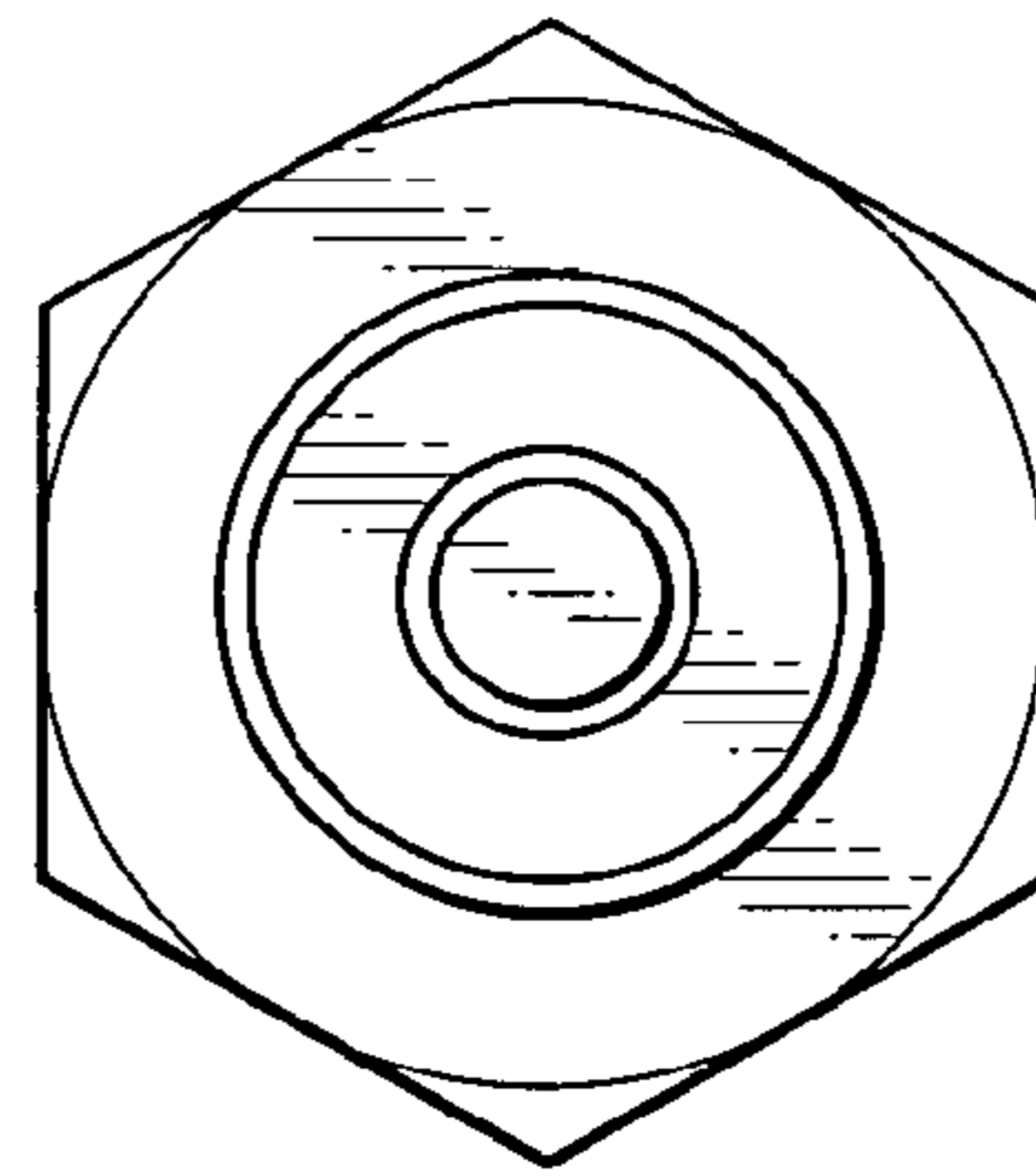


FIG. 3

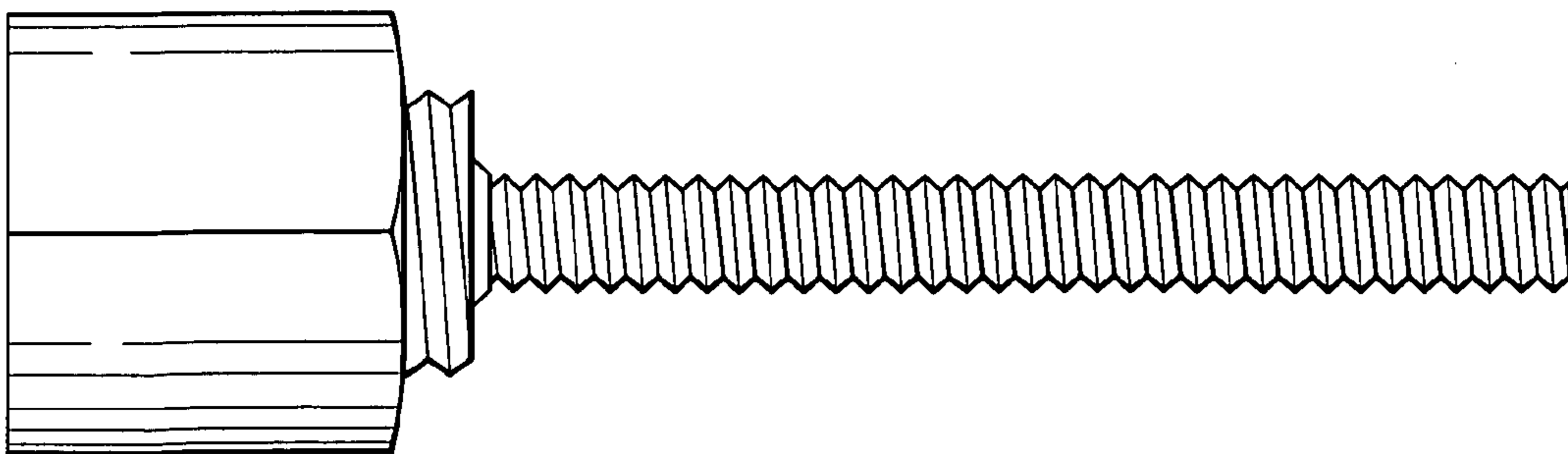


FIG. 4

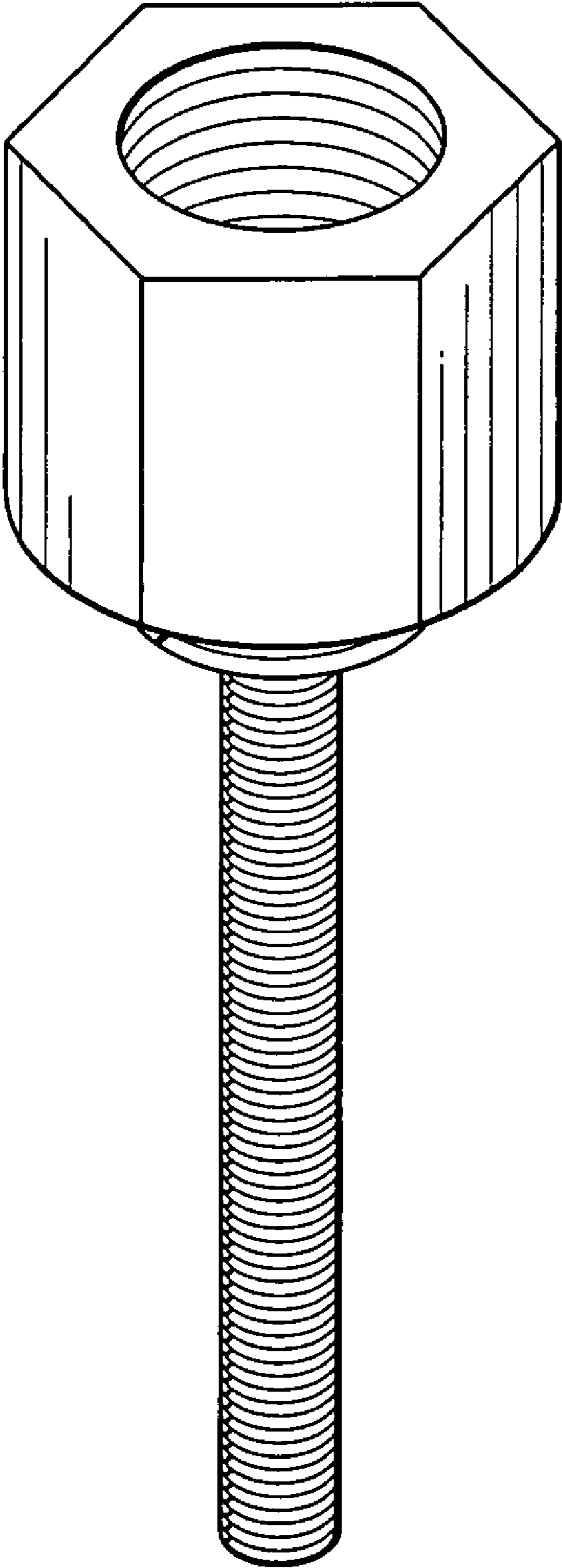


FIG. 5