



US00D589784S

(12) **United States Design Patent**
Hutter, III

(10) **Patent No.:** **US D589,784 S**

(45) **Date of Patent:** **** Apr. 7, 2009**

(54) **BRACKET WITH CONVEX BASE**

(75) Inventor: **Charles G. Hutter, III**, Carson City, NV
(US)

(73) Assignee: **Physical Systems, Inc.**, Carson City, NV
(US)

(**) Term: **14 Years**

(21) Appl. No.: **29/327,163**

(22) Filed: **Oct. 31, 2008**

(51) **LOC (9) Cl.** **08-05**

(52) **U.S. Cl.** **D8/380**

(58) **Field of Classification Search** D8/394,
D8/380, 374, 373, 366, 354, 349; D6/503;
D14/439, 433, 388, 317, 239, 229, 224, 217;
348/552, 373, 918, 917, 466, 294.1, 292.13,
348/291.1, 289.11, 265, 264, 262, 261, 251,
348/229.16, 229.12, 229.11, 227.4, 225.21,
348/248.14, 214, 207, 205.3, 205.1, 200;
211/105.2, 105.1; 160/348

See application file for complete search history.

(56) **References Cited**

U.S. PATENT DOCUMENTS

D21,627 S * 6/1892 Meeker D8/366
D33,335 S * 10/1900 Gallway D6/503
D87,702 S * 9/1932 Aufiero D8/366
2,528,358 A * 10/1950 Grass 248/251

2,651,489 A * 9/1953 Bell 248/265
4,653,714 A * 3/1987 Andrasko, Jr. 248/251
4,700,918 A * 10/1987 Andrasko, Jr. 248/251
D319,573 S * 9/1991 Rogers D8/380
D326,603 S * 6/1992 Rogers D8/373
D329,197 S * 9/1992 Tibbs D8/380
D423,917 S * 5/2000 Remmers et al. D8/380
D478,801 S * 8/2003 Spruill D8/354

* cited by examiner

Primary Examiner—Susan Bennett Hattan
(74) *Attorney, Agent, or Firm*—Kelly Lowry & Kelley, LLP;
Stuart O. Lowry

(57) **CLAIM**

The ornamental design for a bracket with convex base, as shown.

DESCRIPTION

FIG. 1 is a perspective view of a bracket with convex base, showing the top, front and right sides thereof;

FIG. 2 is a top plan view thereof;

FIG. 3 is a bottom plan view thereof;

FIG. 4 is a right side elevation view thereof;

FIG. 5 is a left side elevation view thereof;

FIG. 6 is a rear elevation view thereof; and,

FIG. 7 is a front elevation view thereof.

1 Claim, 1 Drawing Sheet

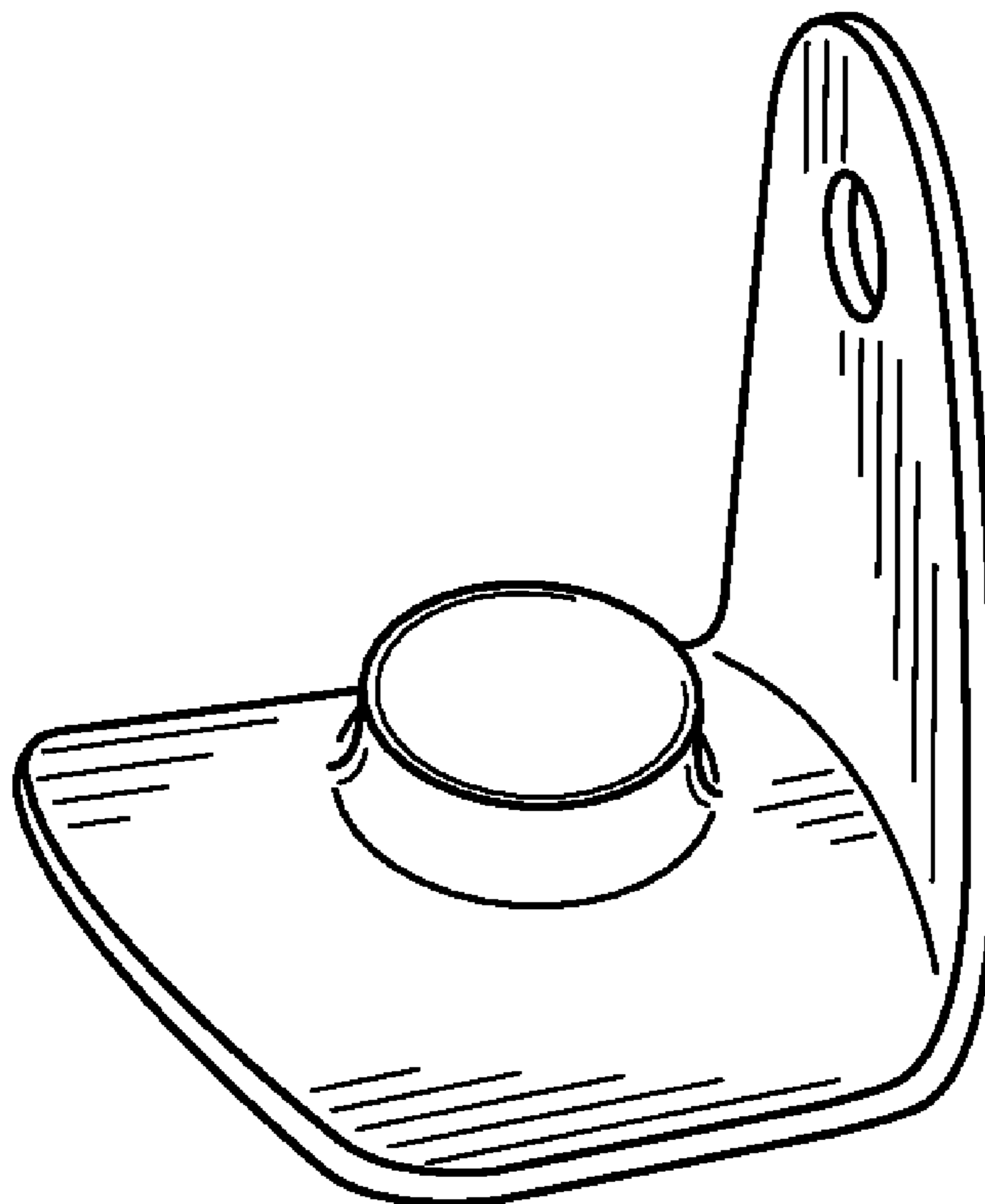


FIG. 1

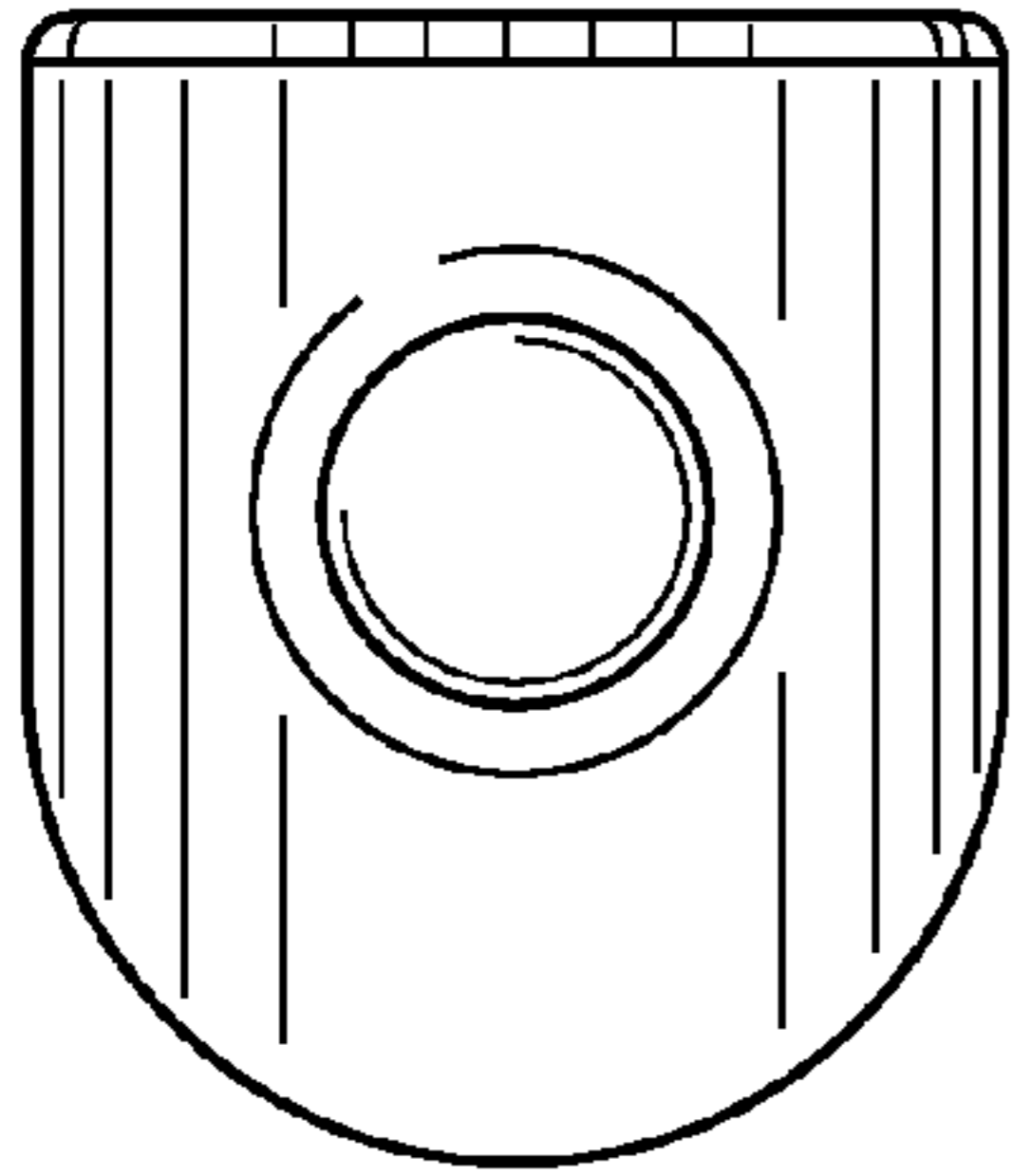
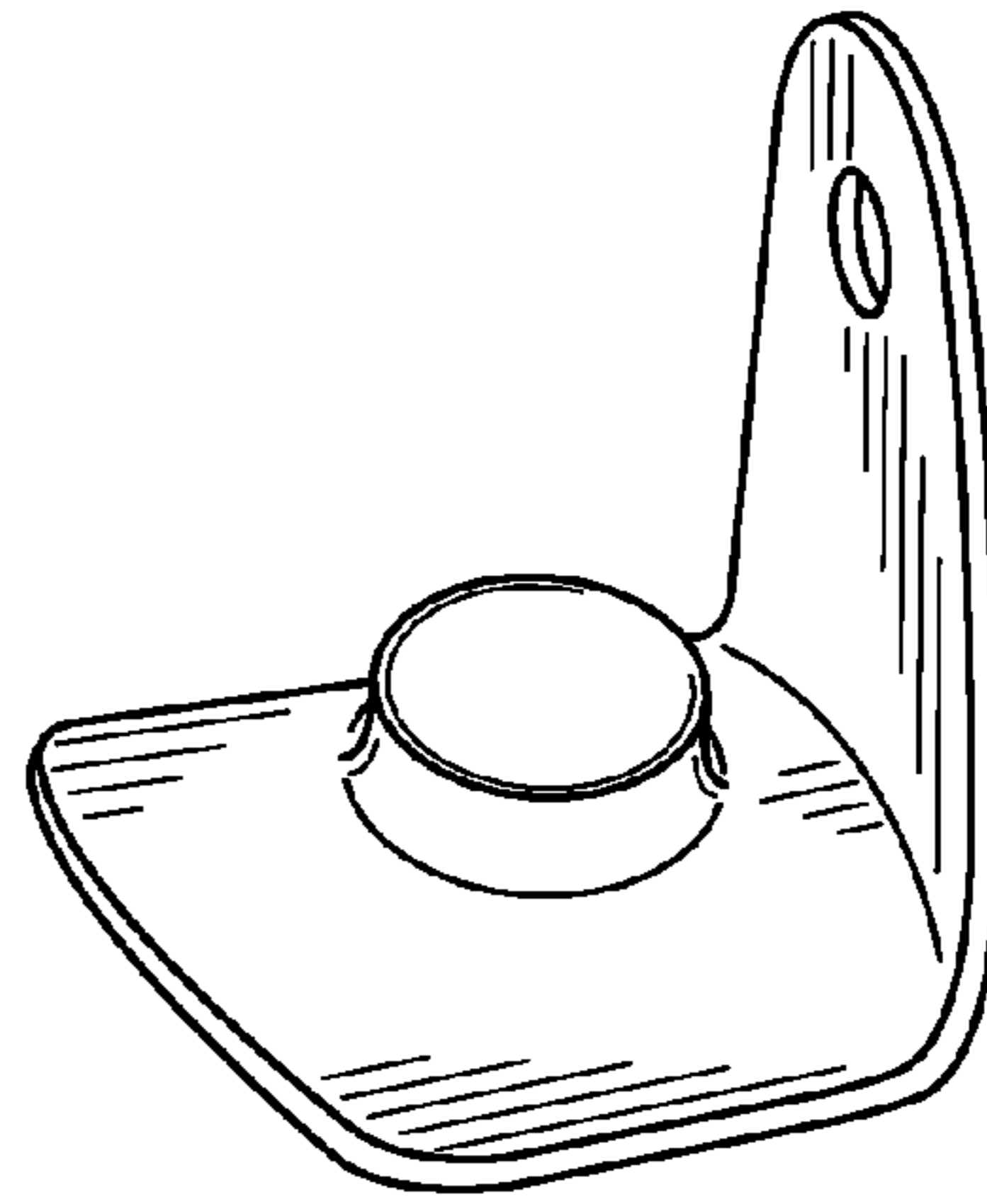


FIG. 2

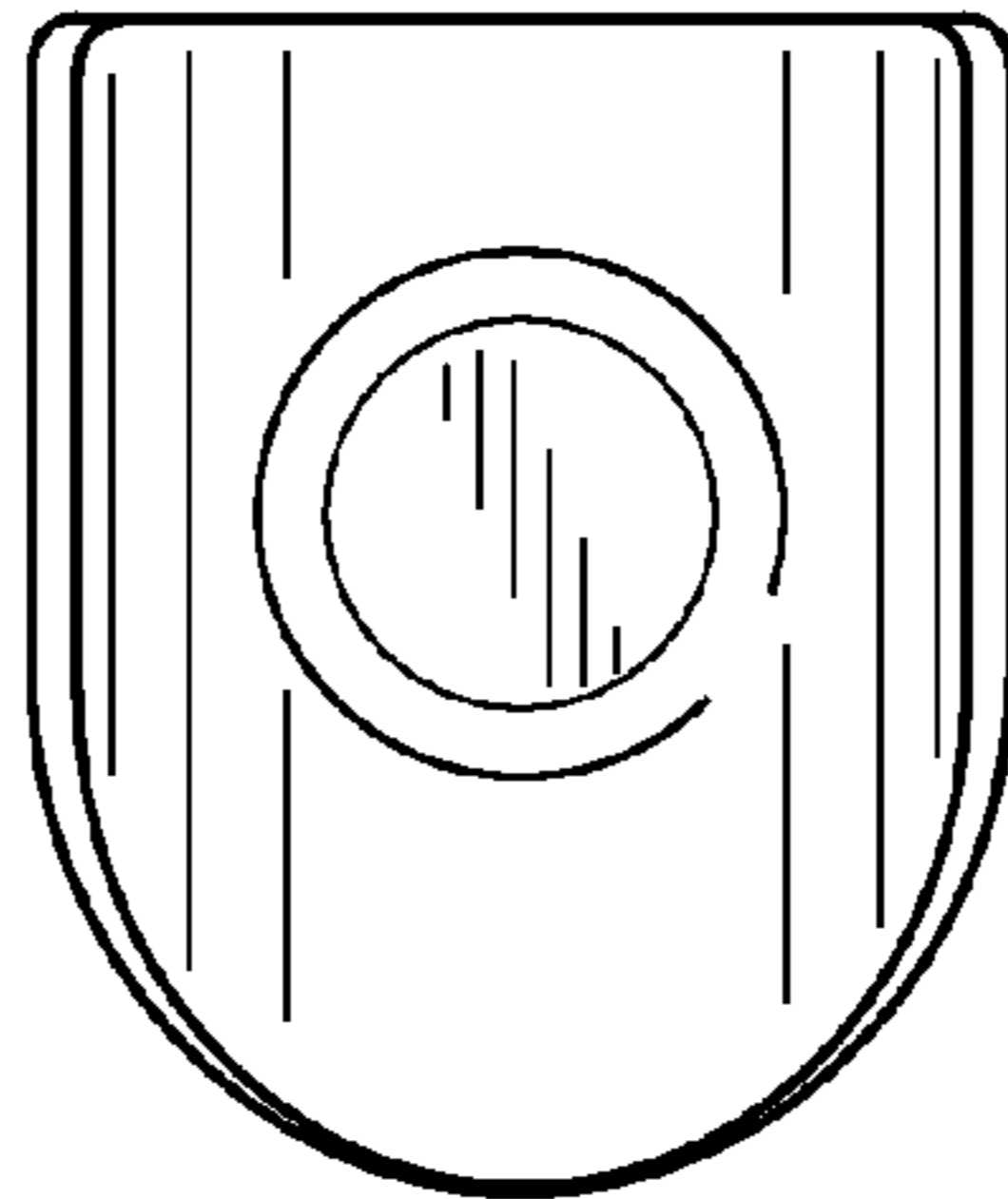


FIG. 3

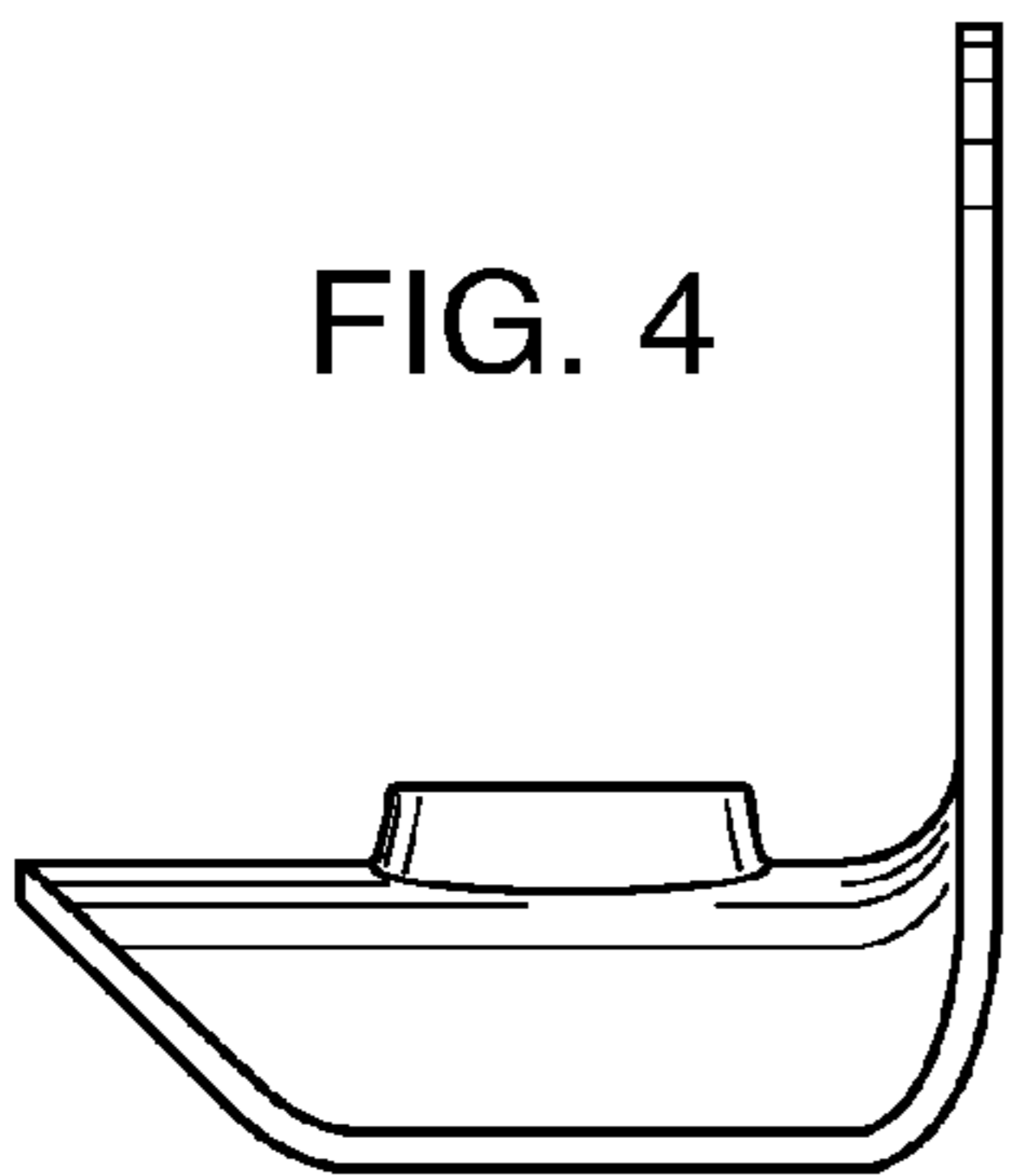


FIG. 4

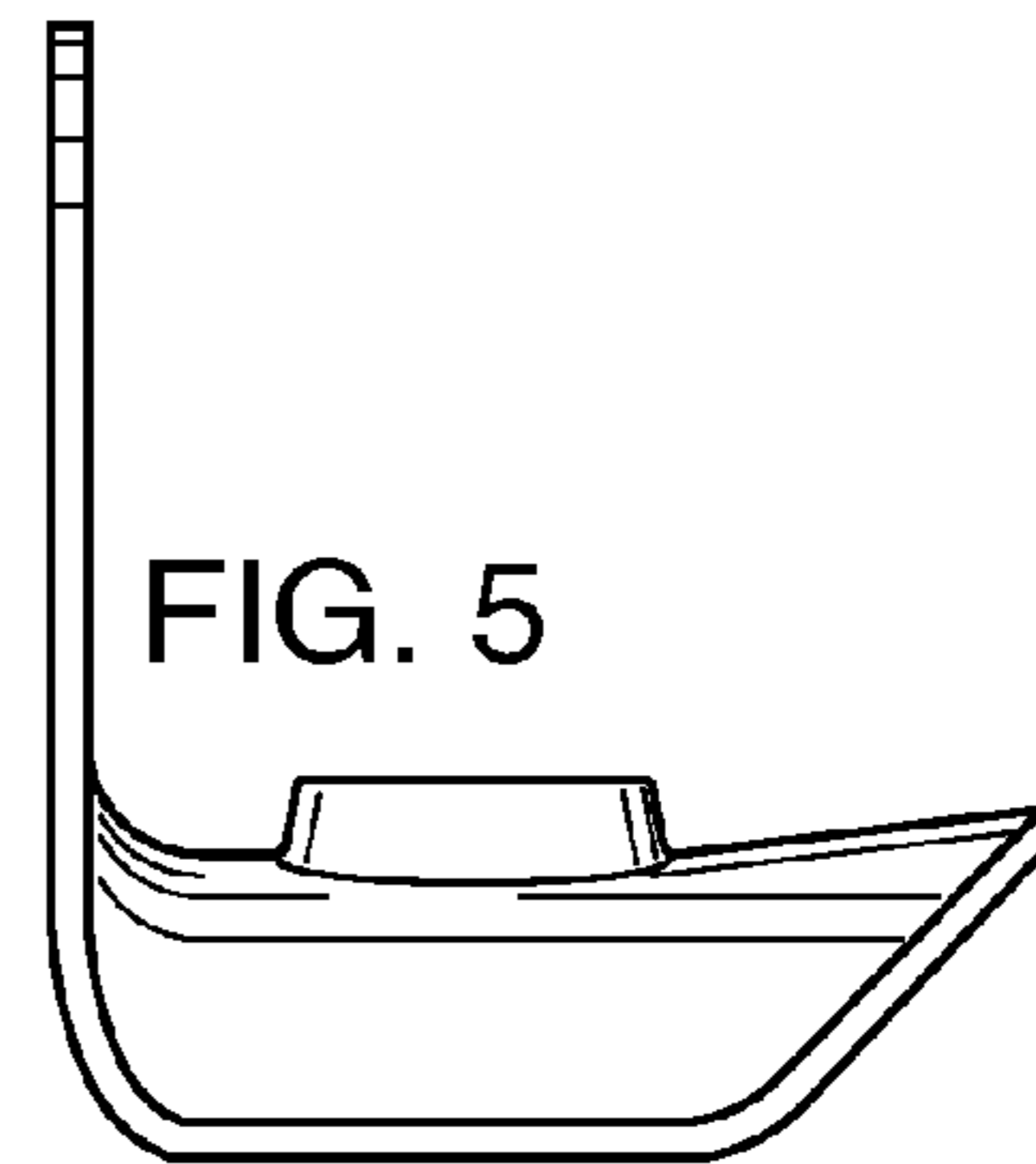


FIG. 5

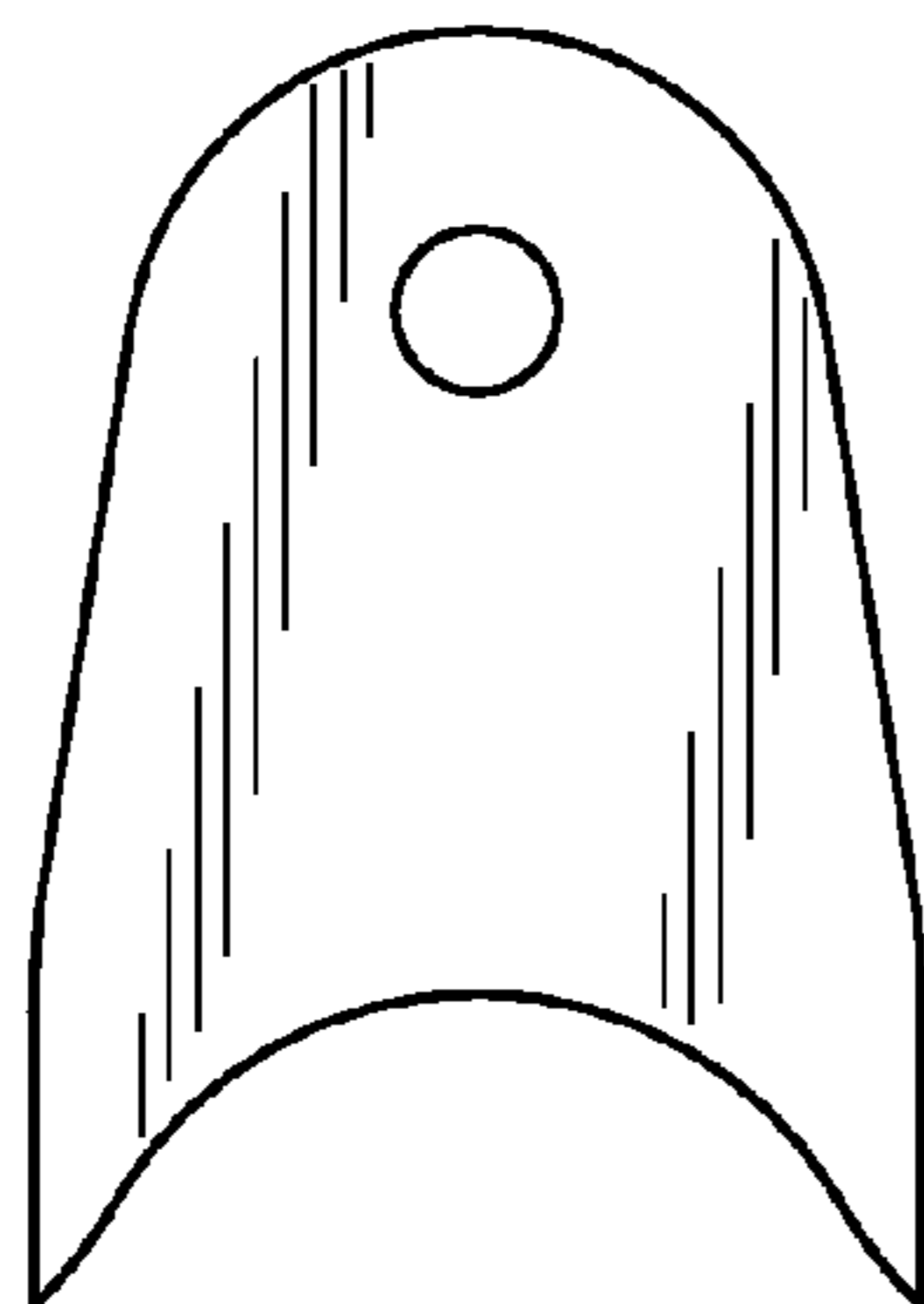


FIG. 6

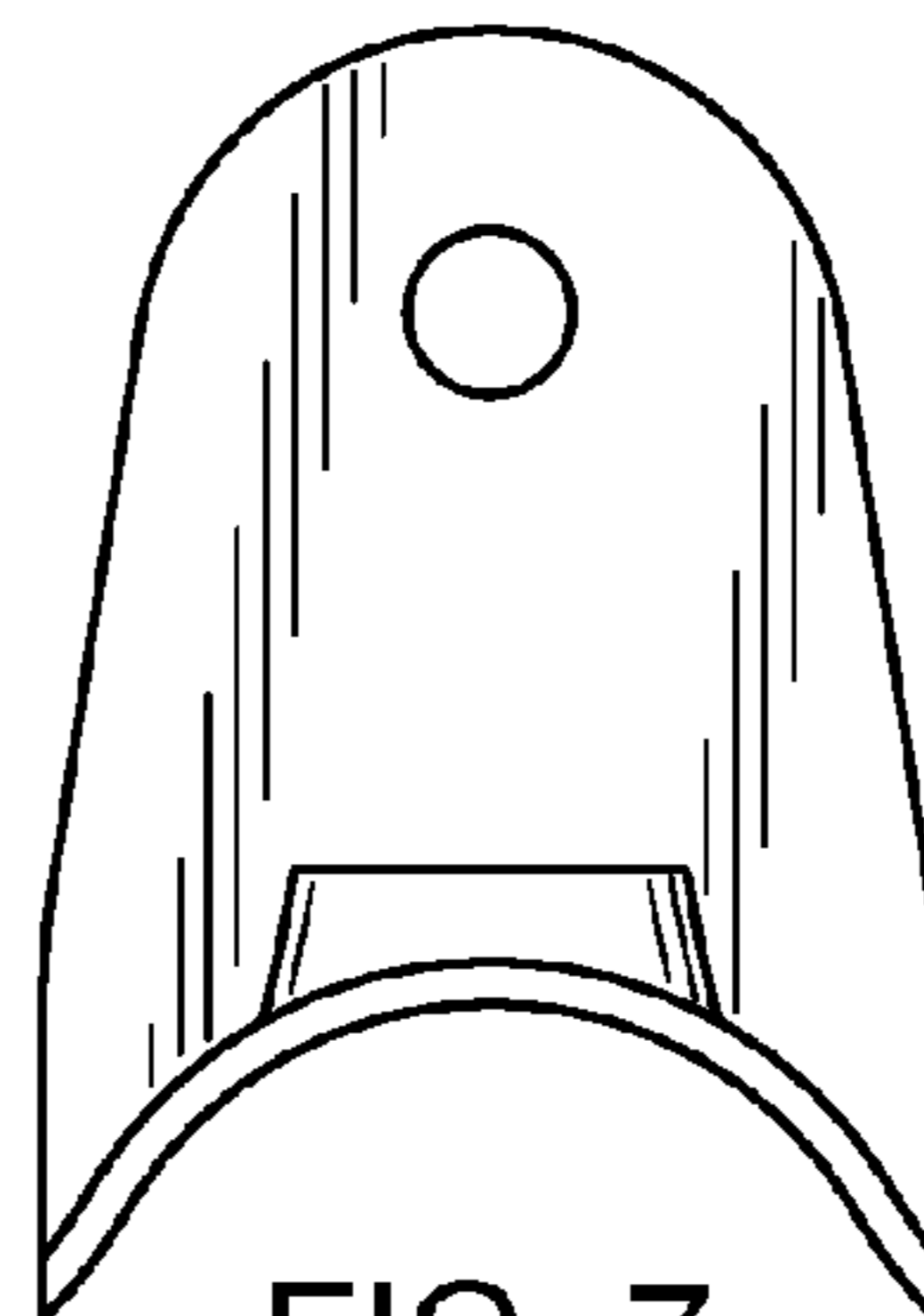


FIG. 7