



US00D589783S

(12) **United States Design Patent**
Eul

(10) **Patent No.:** **US D589,783 S**

(45) **Date of Patent:** **** Apr. 7, 2009**

(54) **FURNITURE GLIDE CASTER WITH PINTLE**

(76) **Inventor:** **Timothy Edward Eul**, 700 Atlantic Ave., Morris, MN (US) 56267

(**) **Term:** **14 Years**

(21) **Appl. No.:** **29/304,950**

(22) **Filed:** **Mar. 11, 2008**

(51) **LOC (9) Cl.** **08-05**

(52) **U.S. Cl.** **D8/374**

(58) **Field of Classification Search** D8/374,
D8/375; 248/188.1, 188.2, 346.11
See application file for complete search history.

(56) **References Cited**

U.S. PATENT DOCUMENTS

1,638,725	A	8/1927	Chesnutt	
1,824,923	A	9/1931	Parsons	
1,898,309	A	2/1933	Noelting	
D182,380	S *	3/1958	Ralnoshi D8/374
D209,273	S *	11/1967	Steinwedel et al. D8/374
5,287,595	A	2/1994	Stevens, Jr.	

D376,713	S	12/1996	Kelso	
D377,448	S *	1/1997	Nakamura D8/374
D463,732	S *	10/2002	MacDonald D8/374
D482,264	S *	11/2003	Shiffler D8/374
6,915,993	B2	7/2005	O'Leary	

* cited by examiner

Primary Examiner—Holly H Baynham

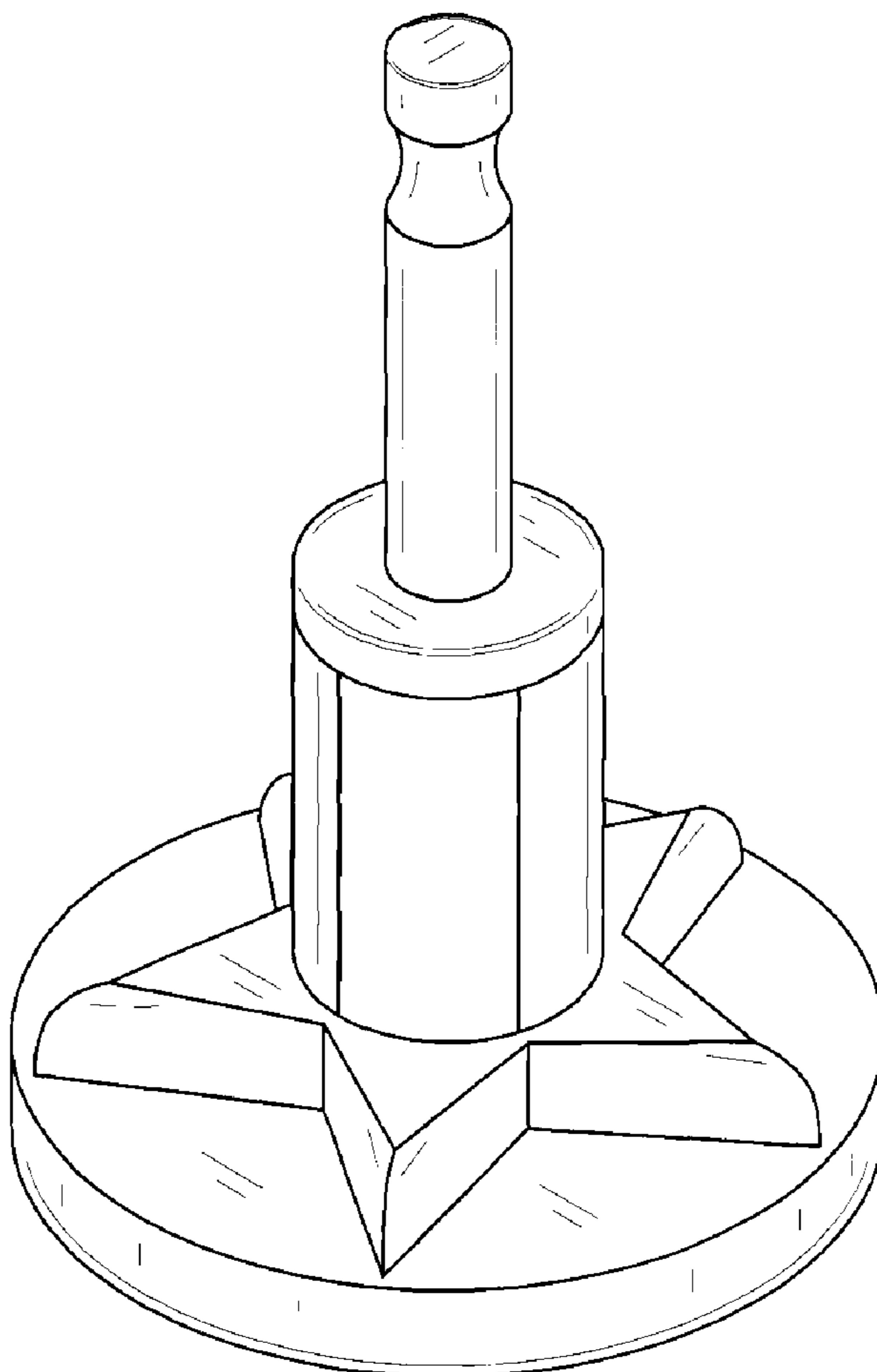
(57) **CLAIM**

The ornamental design for a furniture glide caster with pintle, as shown and described.

DESCRIPTION

FIG. 1 is a front elevation view of a furniture glide caster with pintle showing my new design;
FIG. 2 is a right elevation view thereof;
FIG. 3 is a left elevation view thereof;
FIG. 4 is a top plan view thereof;
FIG. 5 is a bottom plan view thereof; and,
FIG. 6 is an isometric view thereof.

1 Claim, 3 Drawing Sheets



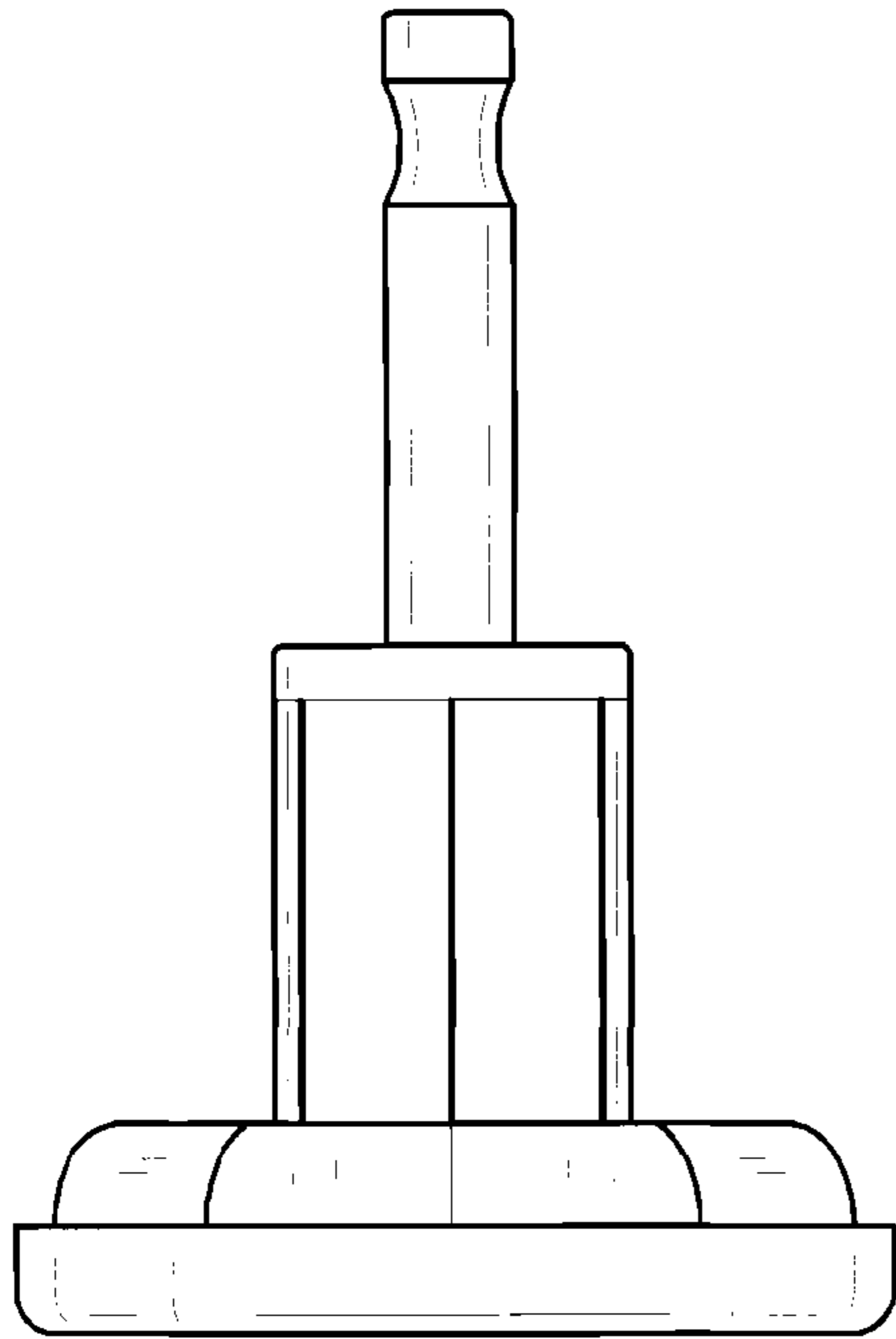


FIG. 1

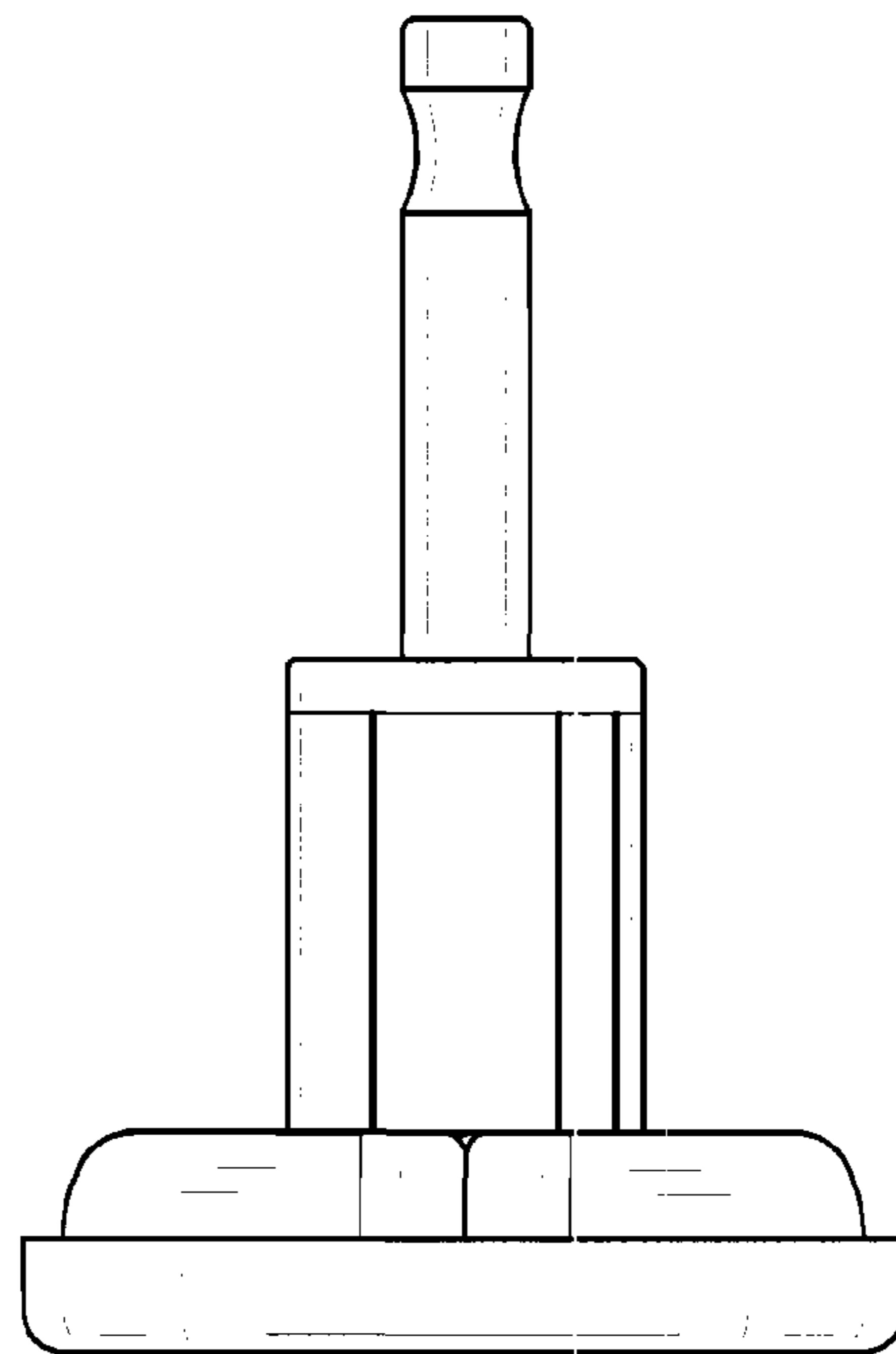


FIG. 2

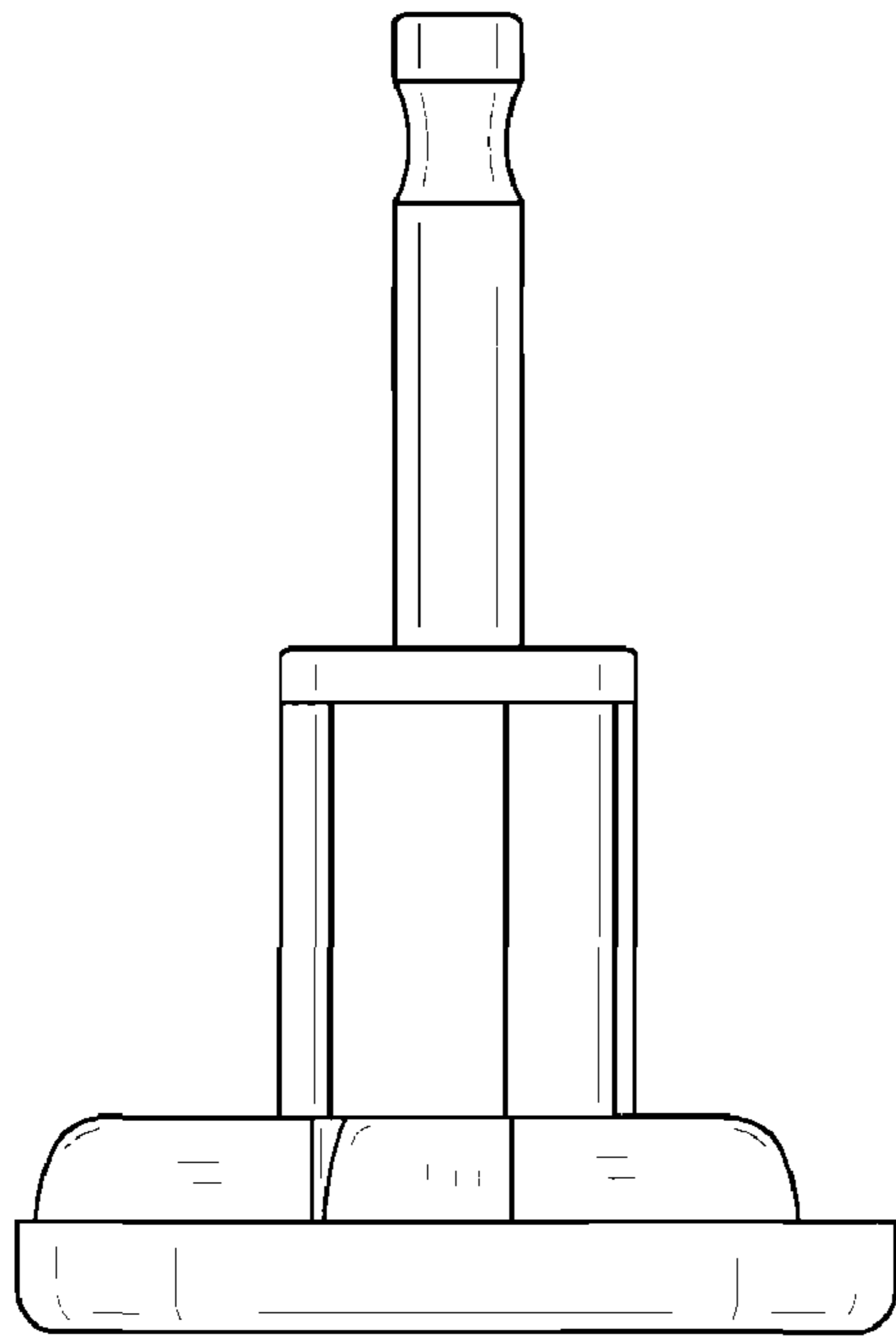


FIG. 3

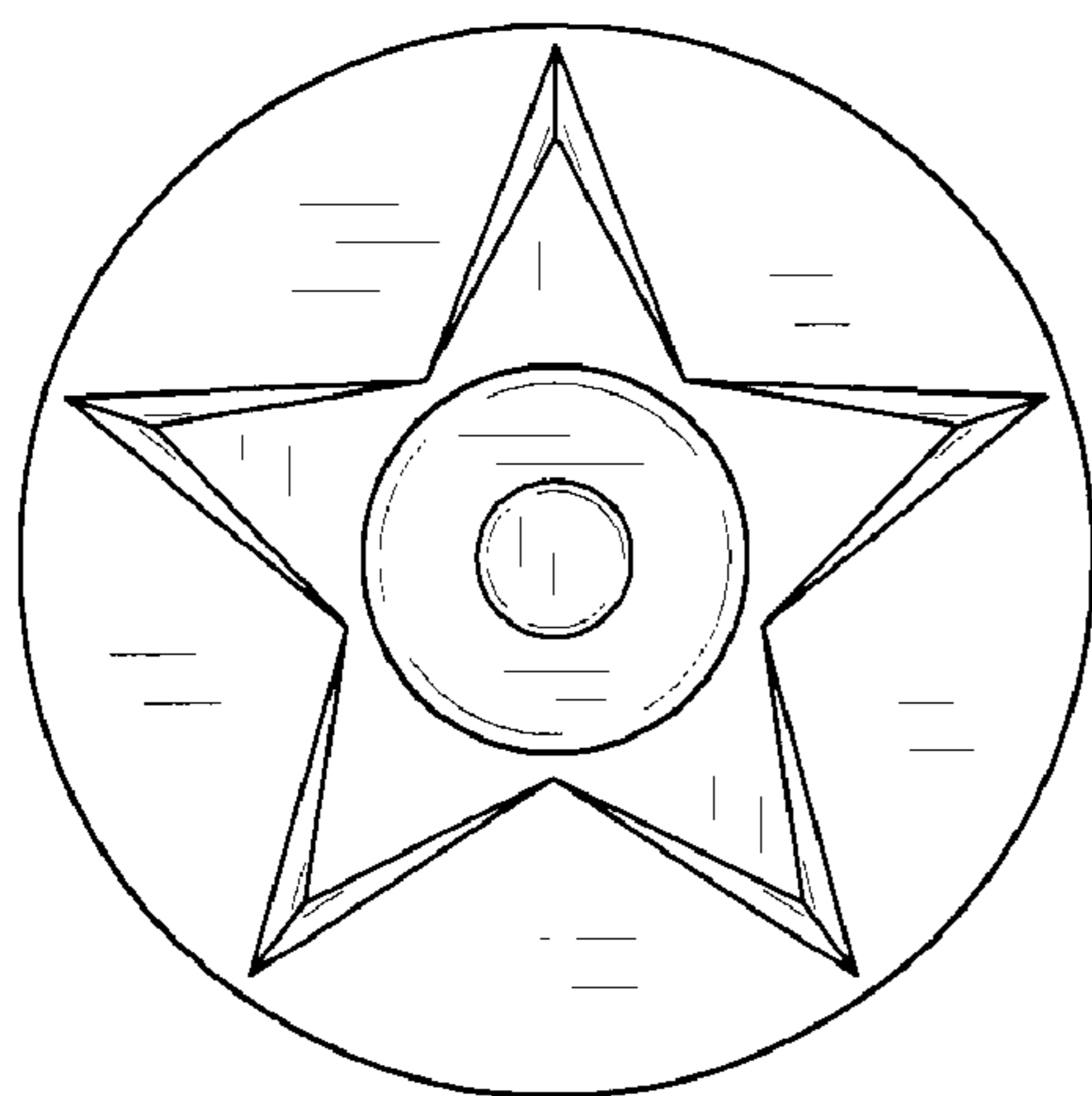


FIG. 4

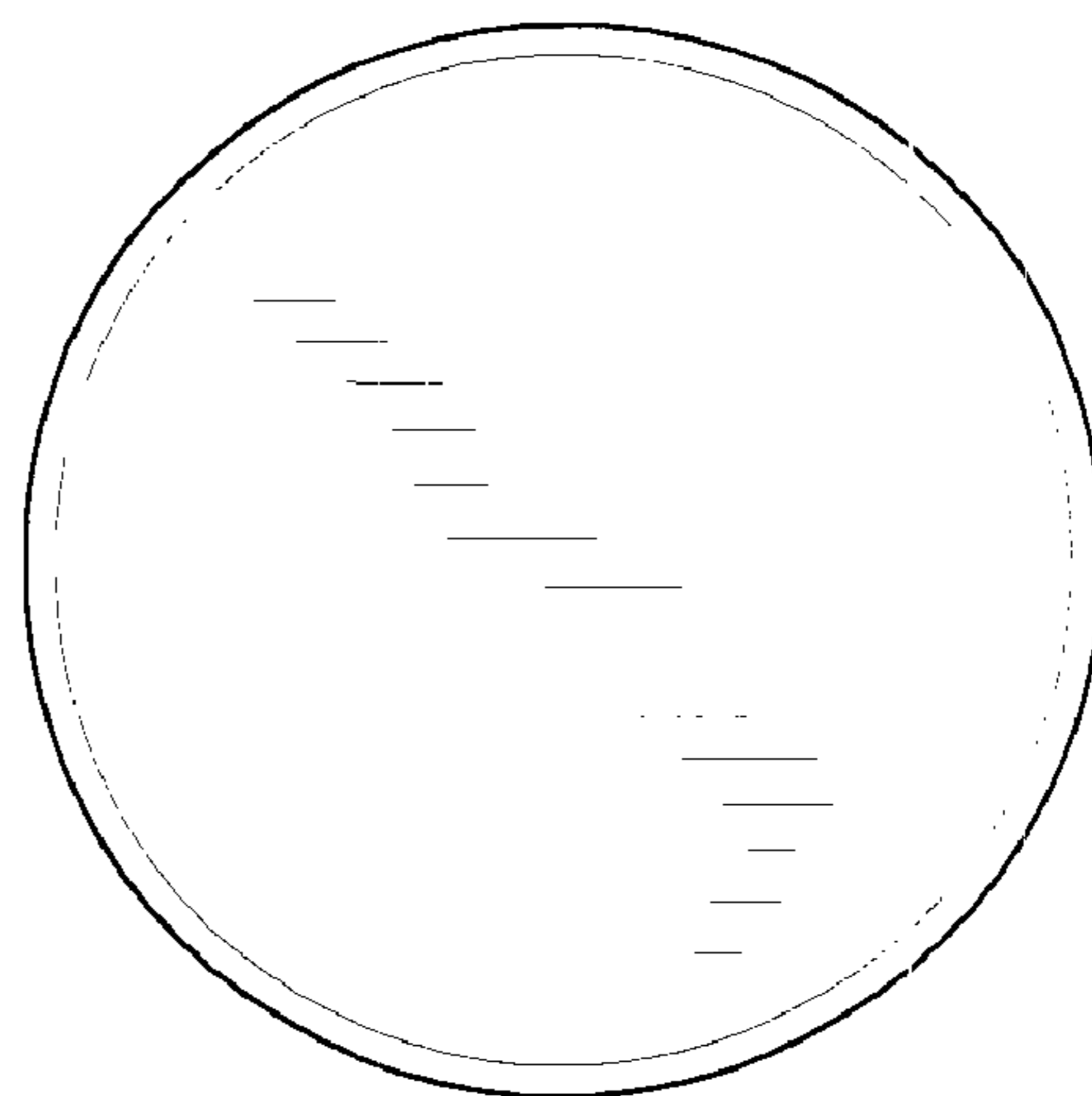


FIG. 5

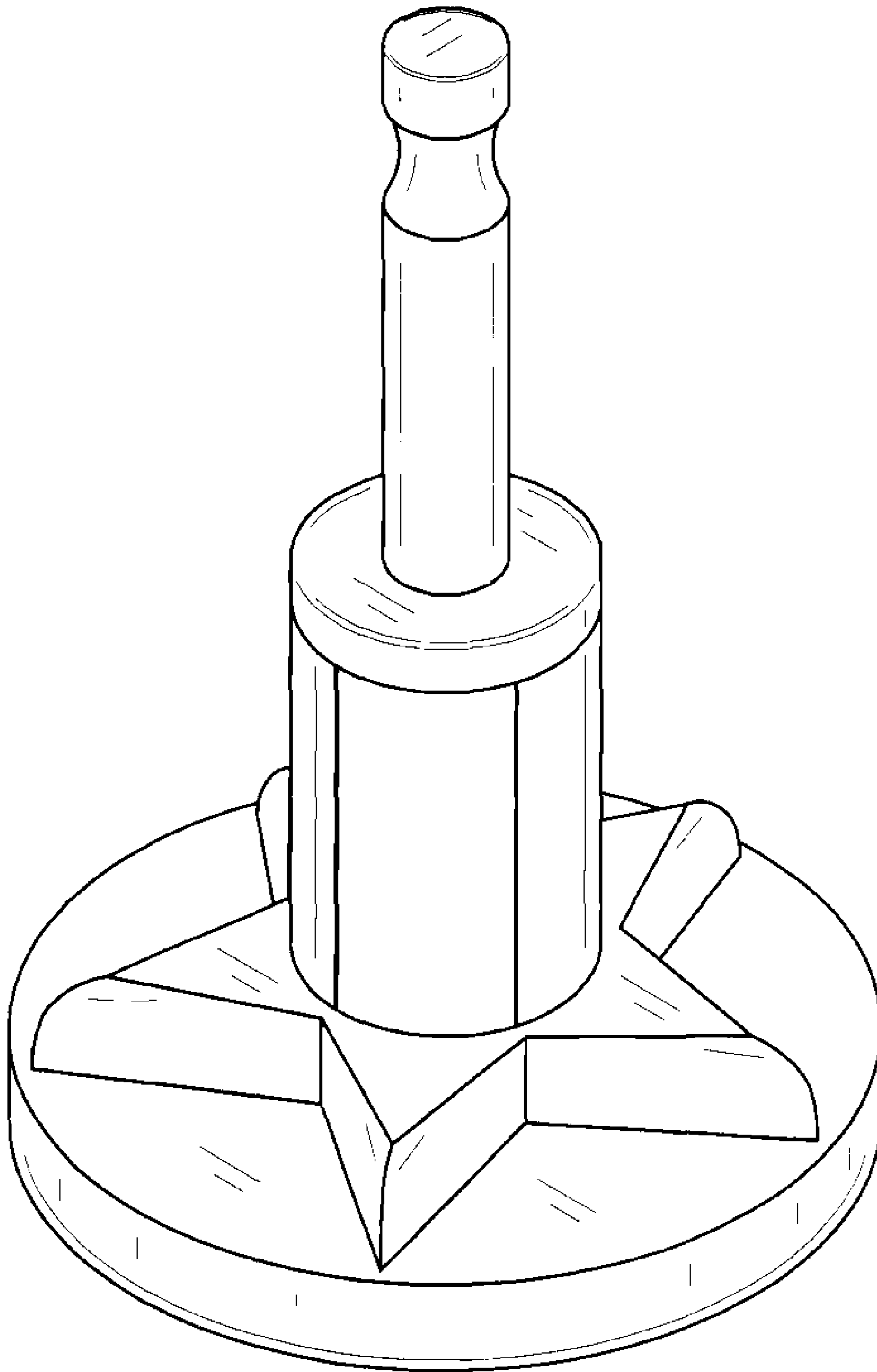


FIG. 6