



US00D589782S

(12) **United States Design Patent**
Rowell et al.

(10) **Patent No.:** **US D589,782 S**
(45) **Date of Patent:** **** Apr. 7, 2009**

(54) **HORIZONTAL AND VERTICAL CABLE
HOLDER**

(75) Inventors: **Gregory Rowell**, Plano, TX (US); **Pan
Jun Wei**, ShenZhen (CN)

(73) Assignee: **FutureWei Technologies, Inc.**, Plano,
TX (US)

(**) Term: **14 Years**

(21) Appl. No.: **29/302,869**

(22) Filed: **Jan. 25, 2008**

(51) **LOC (9) Cl.** **08-08**

(52) **U.S. Cl.** **D8/356**

(58) **Field of Classification Search** D8/105,
D8/107, 333, 349, 354, 356, 358, 360, 360.1,
D8/367, 373, 382, 383, 394-396, 400; D23/261;
D26/38; 24/18, 197, 561; 174/153 G, 650,
174/656, 135; 242/400.1, 405.1, 405.2, 600,
242/603, 604, 604.1, 607, 608, 608.6, 608.7,
242/609, 916; 248/65, 74.1-74.4, 201, 214,
248/215, 229.26, 302, 304, 316.7, 316.8;
439/367, 369, 371, 472; 211/85.31, 119,
211/181.1; D13/153; 224/268, 269, 666

See application file for complete search history.

(56) **References Cited**

U.S. PATENT DOCUMENTS

2,418,885	A *	4/1947	Houston	24/129 B
D185,795	S *	8/1959	Mirrione	D8/383
2,921,607	A *	1/1960	Caveney	138/106
3,520,988	A *	7/1970	Ballock, Sr.	174/135
4,098,326	A *	7/1978	Waters	165/76
D329,380	S *	9/1992	Hazlett et al.	D9/455
5,384,937	A *	1/1995	Simon	24/295
5,524,327	A *	6/1996	Mickel et al.	24/115 A
5,899,041	A *	5/1999	Durin	52/660
D415,408	S *	10/1999	Wizikowski, Sr.	D8/354
D443,198	S *	6/2001	Snyder	D8/354
D446,710	S *	8/2001	Sterling et al.	D8/354
D448,650	S *	10/2001	Vrame	D8/356
D461,657	S *	8/2002	Magnusson	D6/491

6,468,112	B1 *	10/2002	Follingstad et al.	439/719
D468,996	S *	1/2003	Sarkinen et al.	D8/356
D473,124	S *	4/2003	Wu et al.	D8/356
6,708,830	B2 *	3/2004	Mendoza	211/26
D506,381	S *	6/2005	Lu	D8/349
7,172,077	B2 *	2/2007	Mendoza	211/26
D550,540	S *	9/2007	Nawrocki	D8/354
D557,116	S *	12/2007	Zakowski	D8/354
7,359,610	B2 *	4/2008	Vongseng	385/135
2001/0022231	A1 *	9/2001	Dyer	174/48
2002/0005463	A1 *	1/2002	Paske et al.	248/74.1
2008/0011512	A1 *	1/2008	Burns	174/504

* cited by examiner

Primary Examiner—T. Chase Nelson

Assistant Examiner—Karen Acker

(74) *Attorney, Agent, or Firm*—Townsend and Townsend and
Crew LLP

(57) **CLAIM**

The ornamental design for a horizontal and vertical cable
holder, as shown and described.

DESCRIPTION

FIG. 1 is a perspective view of a horizontal and vertical cable
holder according to our design;

FIG. 2 is a front elevation view of the design shown in FIG. 1;

FIG. 3 is a back elevation view of the design shown in FIG. 1;

FIG. 4 is a left side elevation view of the design shown in FIG.
1;

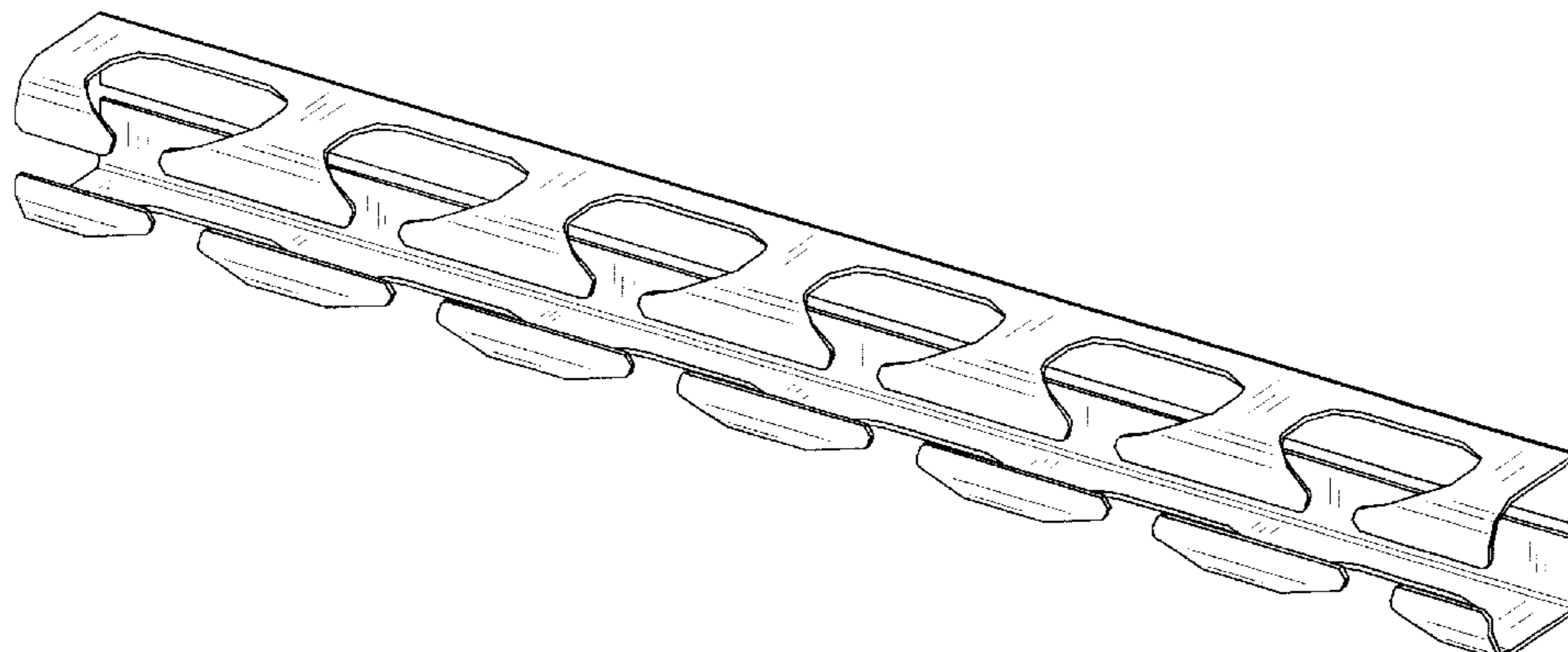
FIG. 5 is a right side elevation view of the design shown in
FIG. 1;

FIG. 6 is a top plan view of the design shown in FIG. 1;

FIG. 7 is a bottom plan view of the design shown in FIG. 1;
and,

FIG. 8 is another perspective view of the design shown in FIG.
1, in which the broken line showing of the environment is
included for the purpose of illustrating the design in a condi-
tion of use and forms no part of the claimed design.

1 Claim, 7 Drawing Sheets



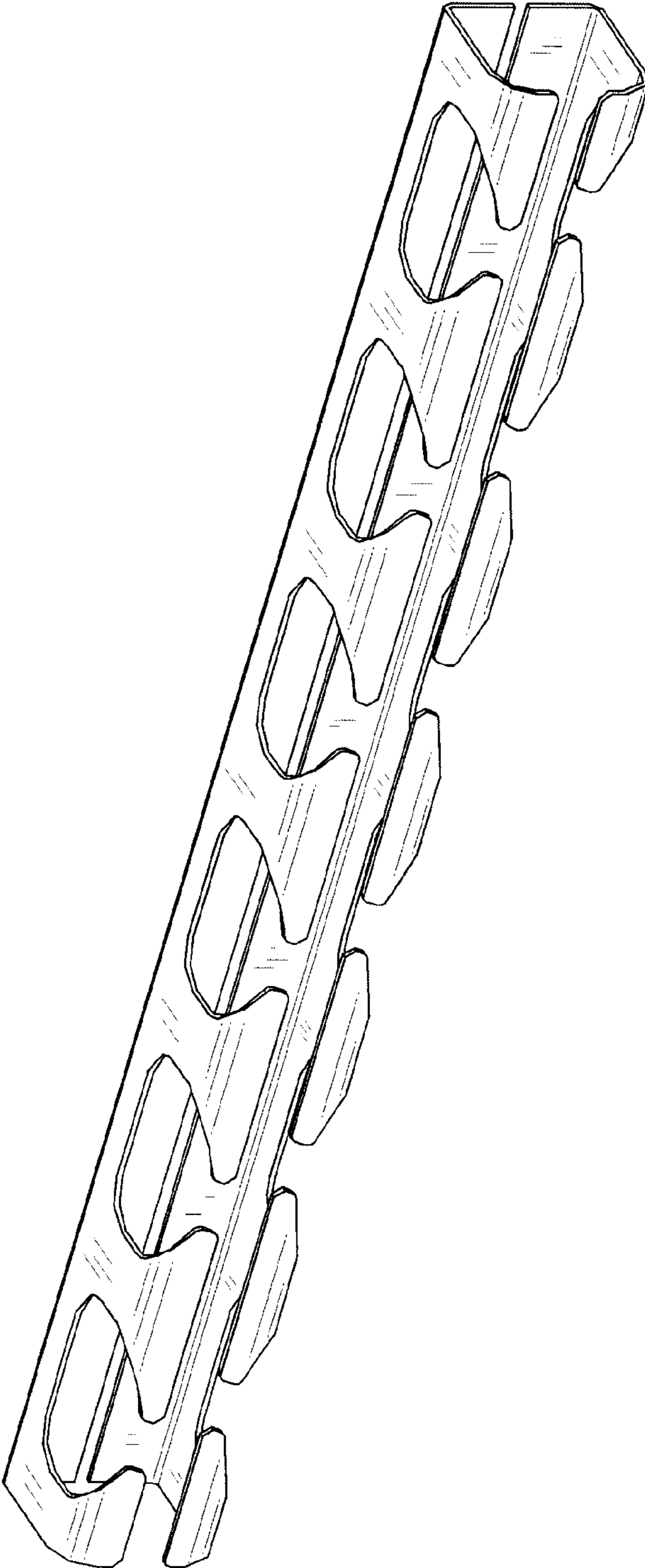


FIG. 1

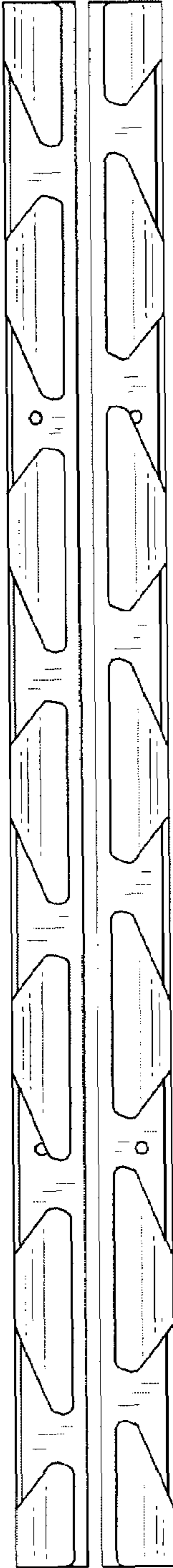


FIG. 2

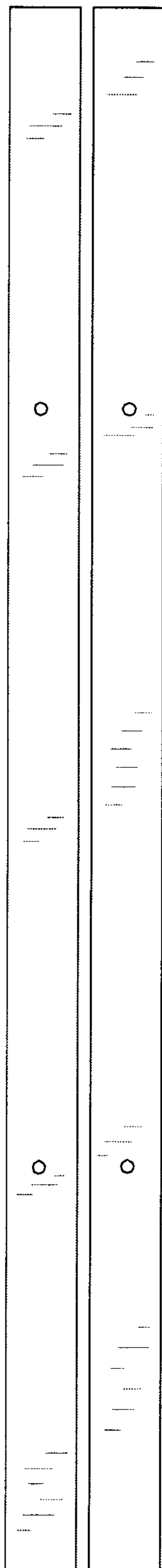


FIG. 3

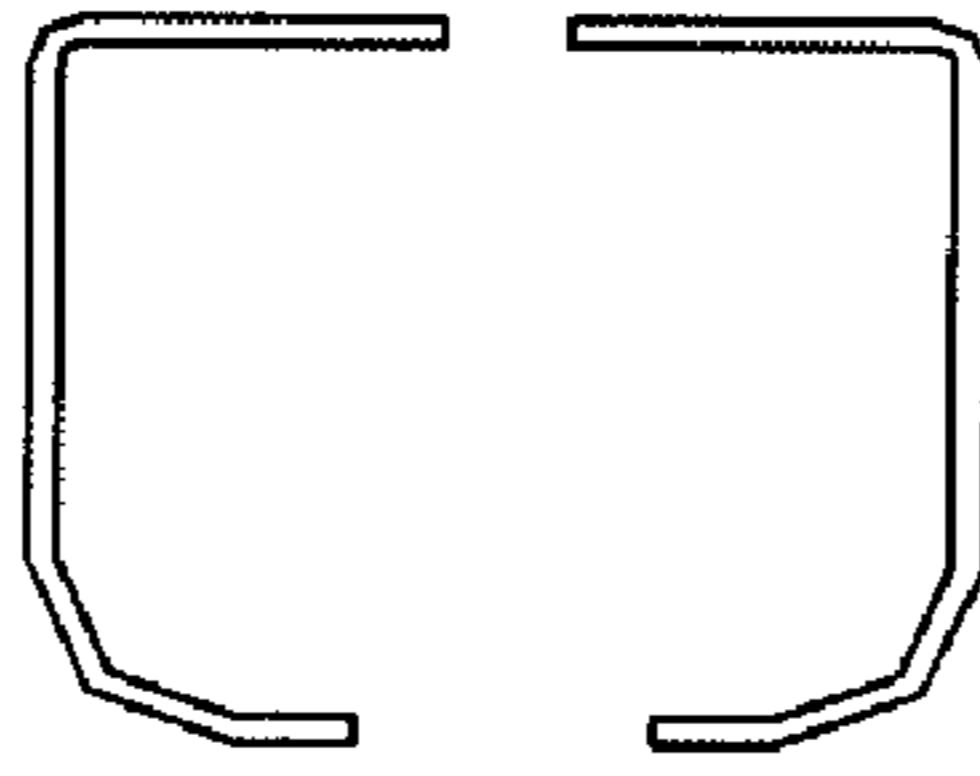


FIG. 5

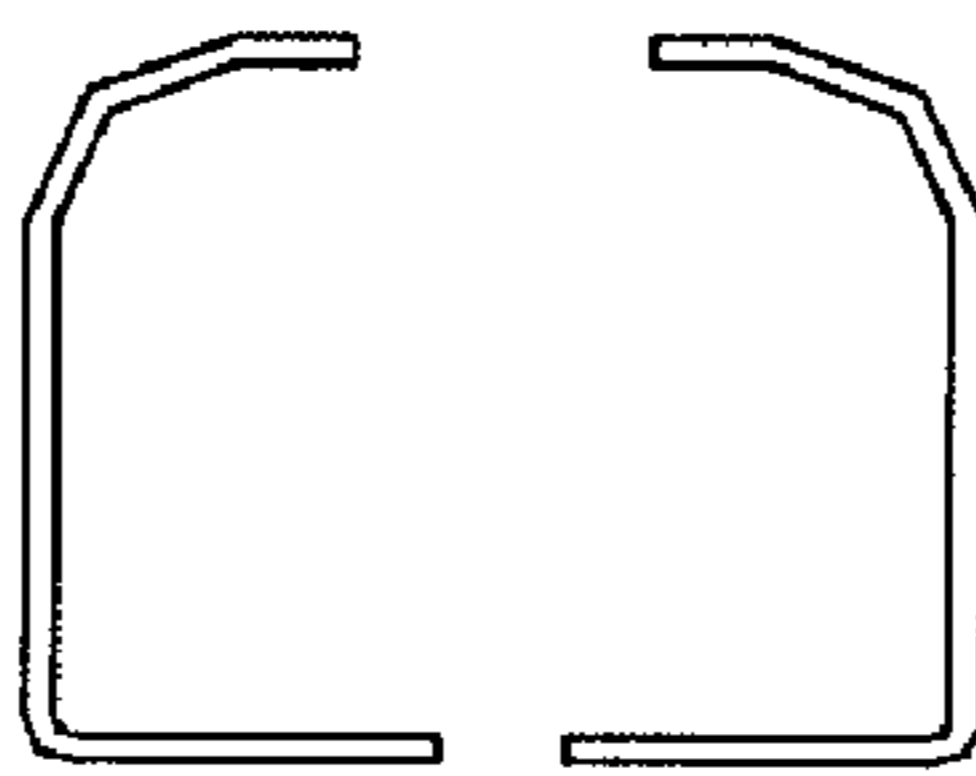


FIG. 4

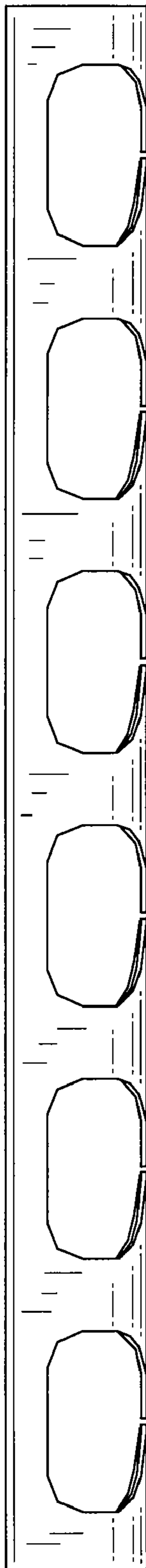


FIG. 6

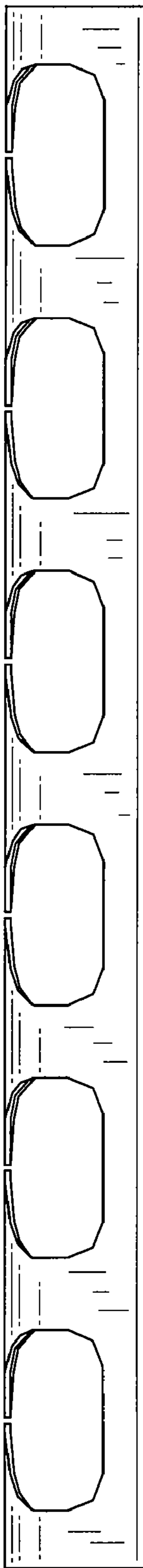


FIG. 7

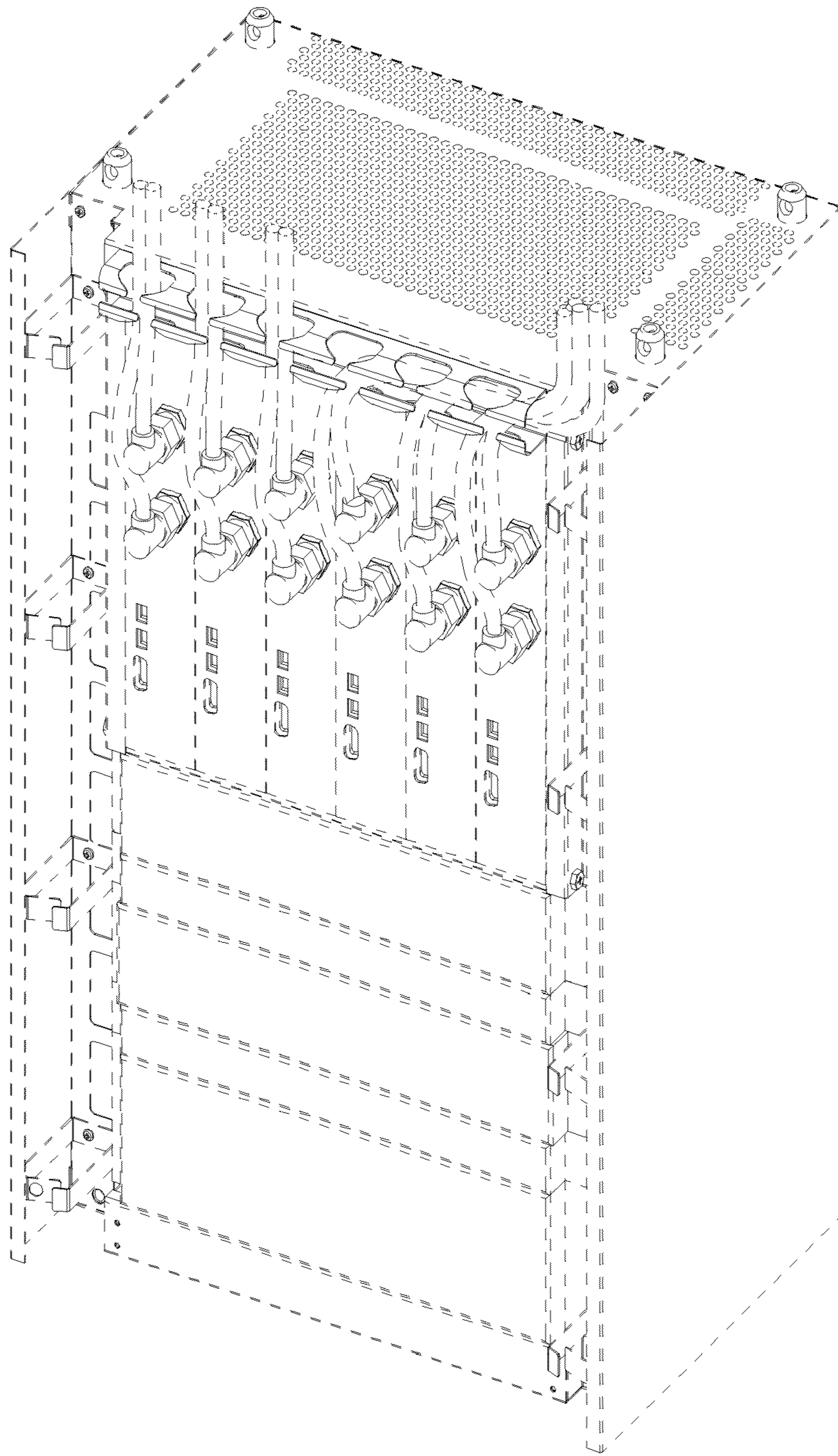


FIG. 8