



US00D589781S

(12) **United States Design Patent**
Lee

(10) **Patent No.:** **US D589,781 S**
(45) **Date of Patent:** **** Apr. 7, 2009**

(54) **DOOR CLOSER CASE WITH A REMOVABLE PANEL**

D491,787 S * 6/2004 Homberg D8/330
D578,862 S * 10/2008 James et al. D8/330

(76) Inventor: **Ye-Myung Lee**, 1303dong 1503ho,
Hugok Maeul Aprt# 1093, Ilsan-dong,
Ilsanseo-gu, Goyang-si, Gyeonggi-do
(KR) 411-310

* cited by examiner

Primary Examiner—Prabhakar Deshmukh
(74) *Attorney, Agent, or Firm*—Howard & Howard Attorneys
PLLC

(**) Term: **14 Years**

(57) **CLAIM**

(21) Appl. No.: **29/317,115**

The ornamental design for door closer case with a removable panel, as shown and described.

(22) Filed: **Apr. 23, 2008**

DESCRIPTION

(51) **LOC (9) Cl.** **08-07**

(52) **U.S. Cl.** **D8/330; D8/346**

(58) **Field of Classification Search** D8/330,
D8/343, 346; 16/49, 71, 52, 58, 62
See application file for complete search history.

FIG. 1 is a perspective view of a door closer case with a removable panel showing my new design;
FIG. 2 is a front elevational view thereof;
FIG. 3 is a rear elevational view thereof;
FIG. 4 is a left side elevational view thereof;
FIG. 5 is a right side elevational view thereof;
FIG. 6 is a top plan view thereof;
FIG. 7 is a bottom plan view thereof; and,
FIG. 8 is an exploded perspective view thereof, showing the top panel separated from the door closer case; and,
FIG. 9 is a perspective view thereof, showing the panel partially pulled out from a door closer case.

(56) **References Cited**

U.S. PATENT DOCUMENTS

3,777,423	A *	12/1973	Coulter et al.	49/31
4,231,134	A *	11/1980	Schoker	16/49
D364,081	S *	11/1995	Yates et al.	D8/330
D390,444	S *	2/1998	Wintrone	D8/337
D424,404	S *	5/2000	Jensen et al.	D8/330
D429,992	S *	8/2000	Ginzler et al.	D8/330
D438,088	S *	2/2001	Tomlinson	D8/330
6,421,876	B1 *	7/2002	Ginzler et al.	16/79
D479,459	S *	9/2003	Homberg	D8/330

1 Claim, 3 Drawing Sheets

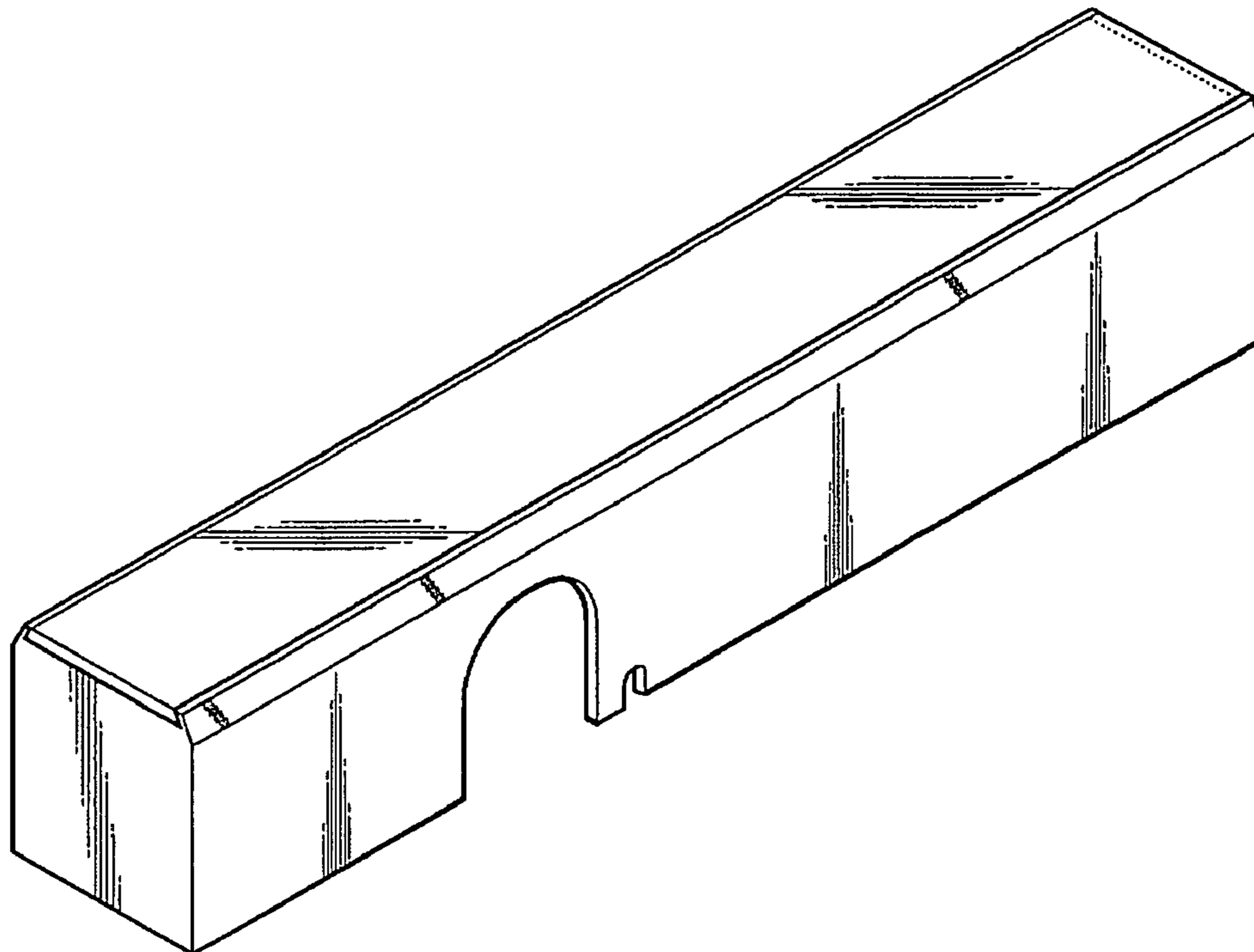


FIG - 1

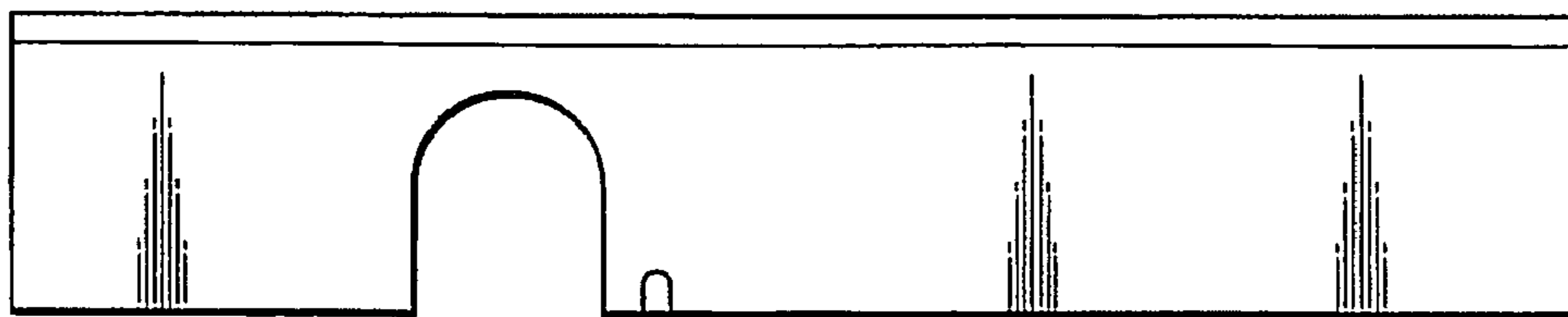
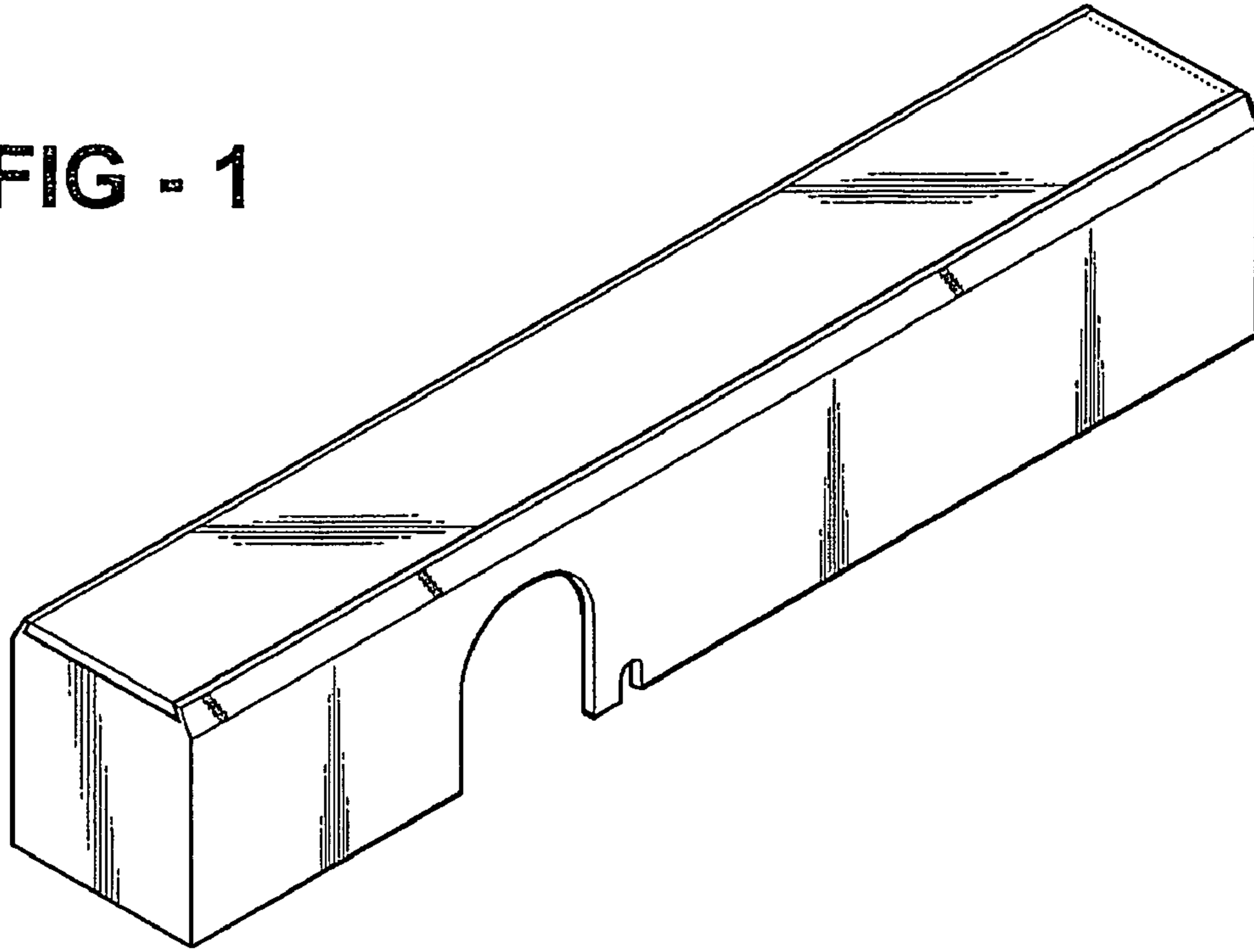


FIG - 2

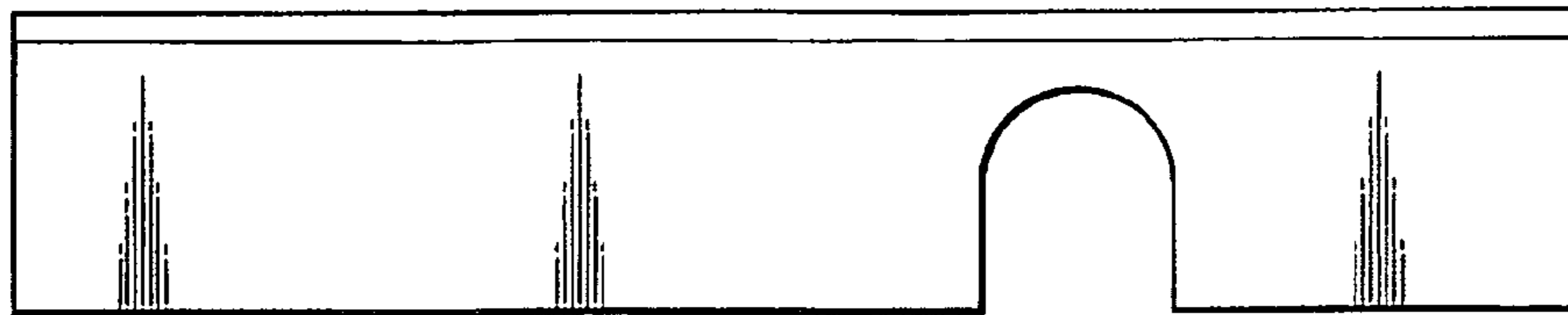


FIG - 3

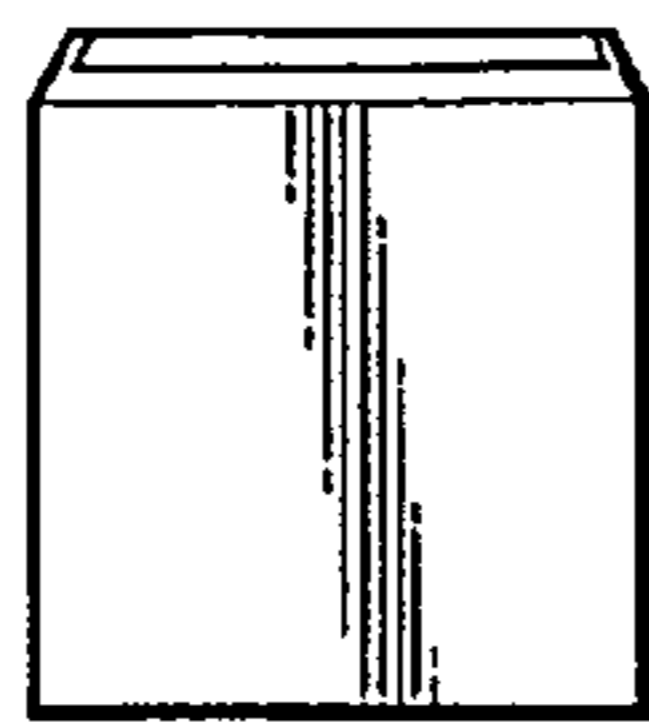


FIG - 4

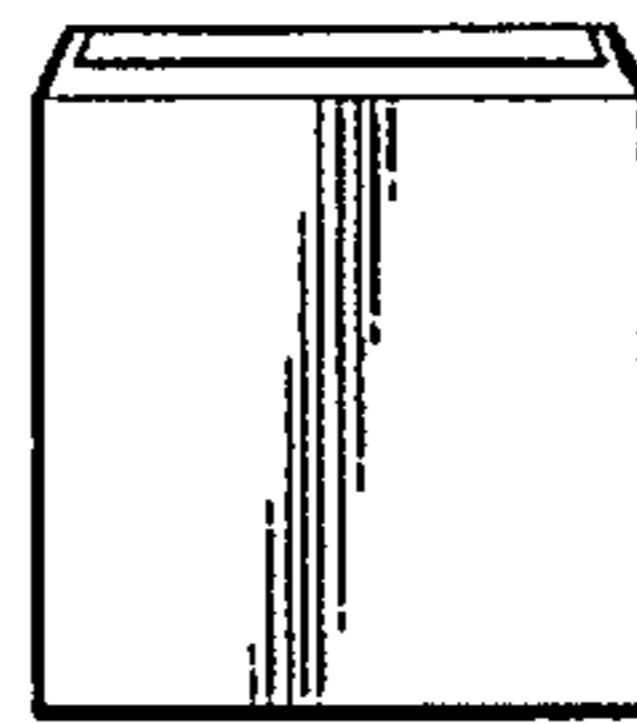


FIG - 5

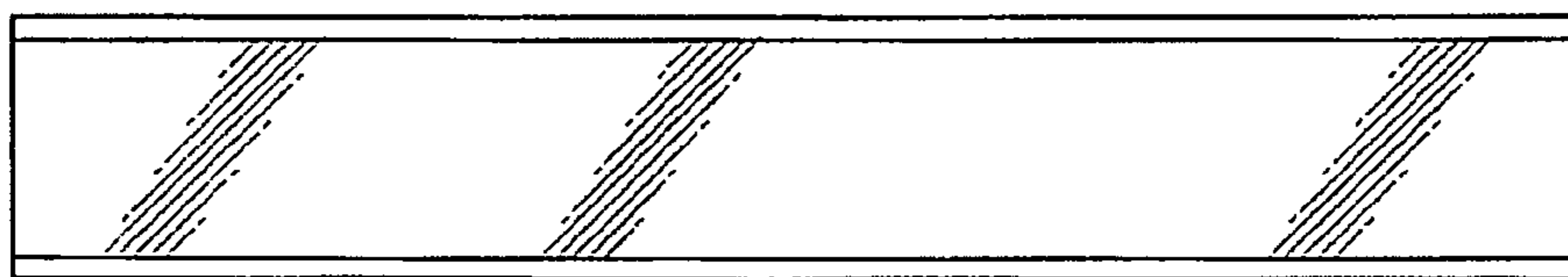


FIG - 6

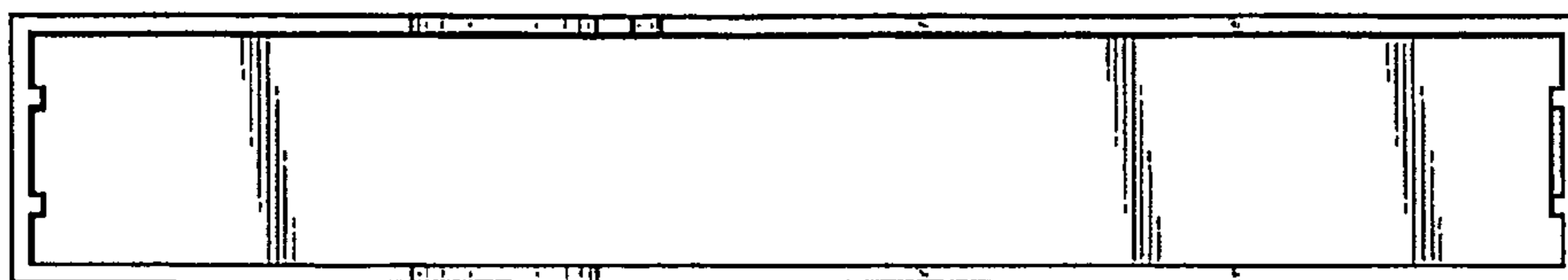


FIG - 7

FIG - 8

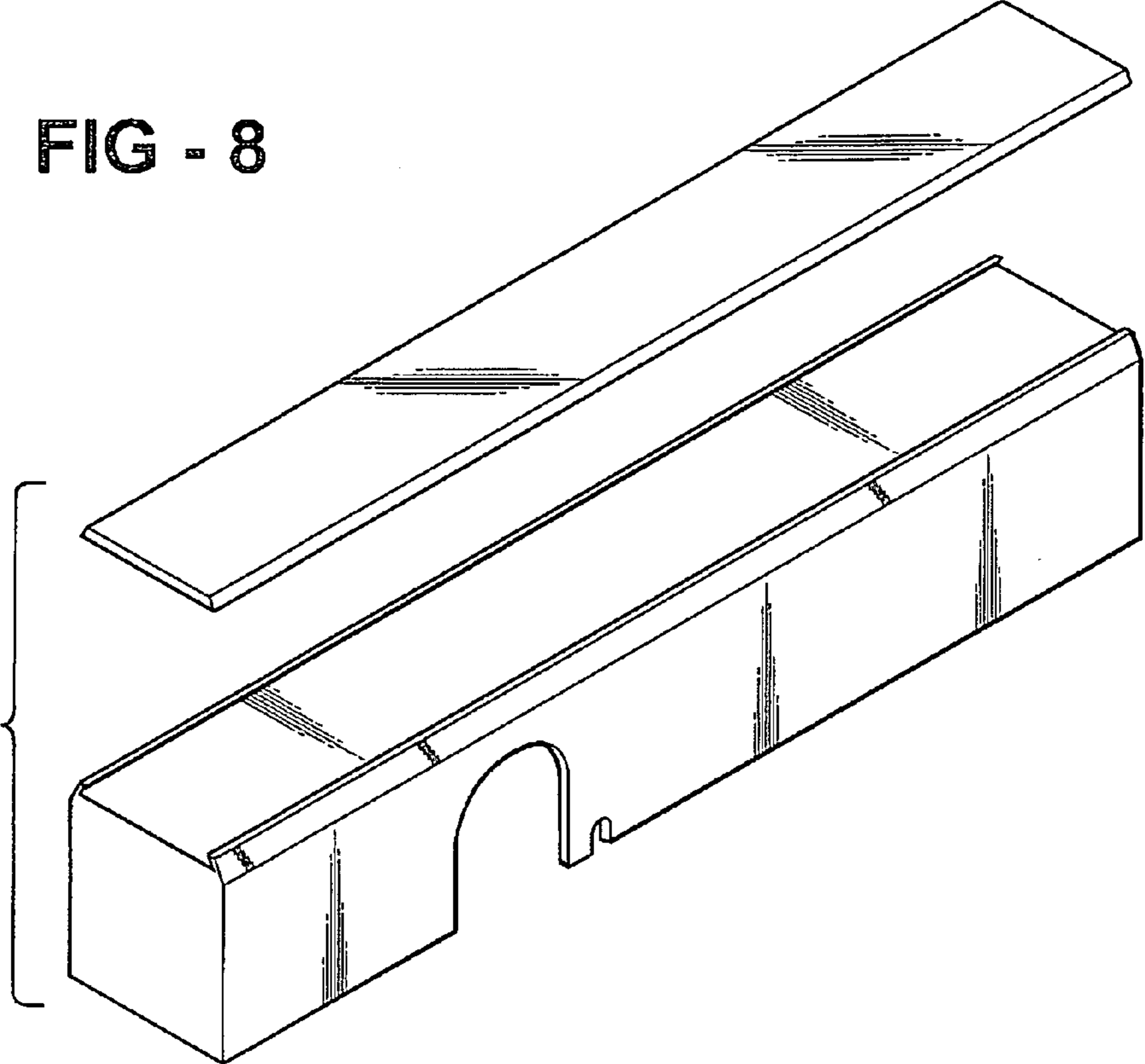


FIG - 9

