



US00D589780S

(12) **United States Design Patent**  
**Fernandez**

(10) **Patent No.:** **US D589,780 S**

(45) **Date of Patent:** **\*\* Apr. 7, 2009**

(54) **SHELF LOCK**

(75) Inventor: **Julio A. Fernandez**, Doonnellon, FL (US)

(73) Assignee: **Clairson, Inc.**, Newark, DE (US)

(\*\*) Term: **14 Years**

(21) Appl. No.: **29/298,399**

(22) Filed: **Dec. 4, 2007**

(51) **LOC (9) Cl.** ..... **08-07**

(52) **U.S. Cl.** ..... **D8/330; D8/336**

(58) **Field of Classification Search** ..... D8/330,  
D8/331, 336, 338, 339; 70/1, 14, 57, 57.1,  
70/58, 78, 141, 431; 292/288, 289, 290,  
292/292; 211/1, 90.01, 124, 134; 248/176.1,  
248/339, 390

See application file for complete search history.

(56) **References Cited**

**U.S. PATENT DOCUMENTS**

D5,634 S	3/1872	Wunder	
D78,426 S	4/1929	Whincap	
1,793,036 A	2/1931	Whitney	
D108,811 S	3/1938	Snyder	
2,266,274 A	12/1941	Schroeder	
2,441,721 A	5/1948	Schroeder	
2,767,951 A *	10/1956	Cousino	248/245
3,499,541 A	3/1970	Mackie	
3,563,182 A	2/1971	MacFarlane et al.	
3,640,389 A	2/1972	Snyder	
D227,742 S	7/1973	Logsdon	
3,760,744 A	9/1973	Cruckshank	
D228,852 S	10/1973	Vogelhuber et al.	
3,978,799 A *	9/1976	Escalette	108/28
3,998,170 A	12/1976	Gordon	
D244,668 S	6/1977	Tegner	
4,098,480 A	7/1978	Neumann	
4,155,312 A	5/1979	Thorkildson	

(Continued)

**FOREIGN PATENT DOCUMENTS**

EP 0338872 A1 10/1989

(Continued)

**OTHER PUBLICATIONS**

U.S. Appl. No. 11/014,663, filed Dec. 16, 2004 (Remmers).

(Continued)

*Primary Examiner*—Prabhakar Deshmukh

(74) *Attorney, Agent, or Firm*—Harness, Dickey & Pierce, P.L.C.

(57) **CLAIM**

The ornamental design for a shelf lock, as shown and described.

**DESCRIPTION**

FIG. 1 is a lower perspective view of a shelf lock, showing my design;

FIG. 2 is a back upper perspective view thereof;

FIG. 3 is a left side view thereof;

FIG. 4 is a right side view thereof;

FIG. 5 is a front view thereof; and

FIG. 6 is a back view thereof;

FIG. 7 is a top view thereof;

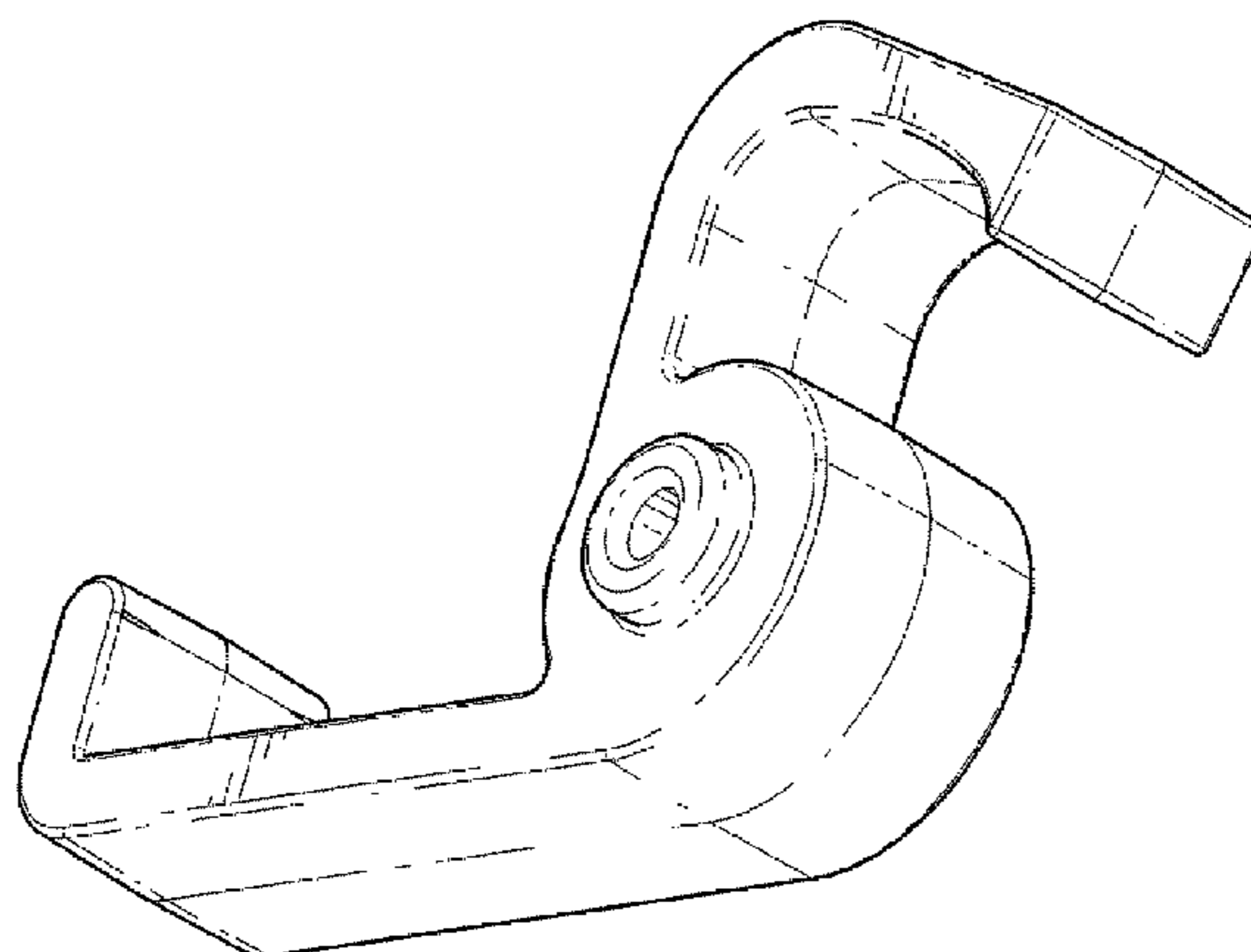
FIG. 8 is a bottom view thereof; and,

FIG. 9 is a perspective view thereof, shown the article in it's environmental use.

The broken lines are for illustrative purpose only and form no part of the claimed design.

The details shown in broken lines are for illustrative purposes only and form no part of the claimed design. For example, the shelf bracket and the shelf are shown in broken lines for illustrative purposes only as mere examples of possible components for which the shelf lock may be used. The sizing and dimensions of the shelf lock to the shelf bracket and shelf form no part of the claimed design.

**1 Claim, 8 Drawing Sheets**



# US D589,780 S

U.S. PATENT DOCUMENTS			FOREIGN PATENT DOCUMENTS		
4,209,111	A *	6/1980	Lotspeich et al. ....	221/75	6,669,154 B1 12/2003 Remmers
D258,489	S *	3/1981	Gipson .....	D8/333	D485,109 S 1/2004 Oberhaus
4,523,722	A	6/1985	Cohen et al.		D490,690 S 6/2004 Brass et al.
D279,959	S	8/1985	Nimmo et al.		6,840,593 B2 1/2005 Remmers
4,533,056	A	8/1985	Krikorian		D506,385 S 6/2005 Brown
4,548,327	A	10/1985	Kilkelly		6,915,913 B2 7/2005 Cardinell
4,603,781	A	8/1986	Ryan, Jr.		6,953,176 B2 10/2005 Remmers
D288,528	S *	3/1987	Parad .....	D9/524	D513,970 S 1/2006 Sterling et al.
4,646,998	A	3/1987	Pate		7,004,335 B2 2/2006 Remmers
4,671,419	A	6/1987	Beverly		7,021,730 B2 4/2006 Remmers
4,693,380	A	9/1987	Muth		D522,848 S 6/2006 Nawrocki
4,708,552	A	11/1987	Bustos et al.		D522,852 S 6/2006 Nawrocki
D293,416	S	12/1987	Krueger		D525,811 S 8/2006 Nawrocki
4,732,284	A	3/1988	Remmers		D526,519 S 8/2006 Nawrocki
D295,182	S	4/1988	Remmers		D526,887 S 8/2006 Remmers et al.
4,735,325	A	4/1988	Remmers		7,086,543 B2 8/2006 Remmers
D295,472	S	5/1988	Remmers		7,090,317 B2 8/2006 Remmers
4,781,349	A	11/1988	Remmers		D527,559 S 9/2006 Remmers
4,783,035	A	11/1988	Remmers		D527,935 S 9/2006 Remmers
D299,212	S	1/1989	Murphy		D531,019 S 10/2006 Plumer
D299,436	S	1/1989	Muth		D531,891 S 11/2006 Nawrocki
4,795,041	A	1/1989	Remmers		7,174,605 B1 2/2007 Nawrocki
4,838,451	A	6/1989	Arkell et al.		7,185,772 B2 3/2007 Remmers
D305,272	S	12/1989	Remmers		7,188,740 B2 3/2007 Marchetta et al.
D311,860	S	11/1990	Remmers		D543,094 S 5/2007 Remmers
D312,389	S	11/1990	Remmers		7,225,237 B1 5/2007 Tenereillo
5,074,223	A	12/1991	Remmers		D544,260 S 6/2007 Nawrocki
D323,452	S	1/1992	Stumpf et al.		D544,261 S 6/2007 Nawrocki
D323,715	S	2/1992	Bodurow et al.		D547,163 S 7/2007 Xayoiphonh
5,086,936	A	2/1992	Remmers		D547,164 S 7/2007 Xayoiphonh
5,119,945	A *	6/1992	Wiggins .....	211/59.2	D547,640 S 7/2007 Remmers
D334,497	S	4/1993	Putty		7,240,803 B2 7/2007 Stitchick et al.
D340,639	S	10/1993	Remmers		D550,540 S 9/2007 Nawrocki
D342,015	S	12/1993	Andrejew		D551,062 S 9/2007 Nawrocki
D348,826	S	7/1994	McCaffrey		D551,884 S 10/2007 Remmers
5,326,062	A	7/1994	Remmers		D553,485 S 10/2007 Hall
5,330,063	A	7/1994	Remmers		7,296,697 B2 11/2007 Costa et al.
5,351,842	A	10/1994	Remmers		D559,090 S 1/2008 Nawrocki
D353,500	S	12/1994	Remmers		7,314,144 B2 1/2008 Stitchick et al.
5,407,084	A	4/1995	Remmers		D562,670 S * 2/2008 Rogers et al. .... D8/330
5,492,295	A	2/1996	Remmers		7,458,548 B2 * 12/2008 Franzone et al. .... 248/250
D369,293	S	4/1996	Gusdorf et al.		2002/0166934 A1 * 11/2002 Marsh ..... 248/235
5,531,416	A	7/1996	Remmers		2005/0109720 A1 5/2005 Marchetta
5,533,851	A	7/1996	Remmers		2005/0145147 A1 7/2005 Costa et al.
D373,719	S	9/1996	Lin		2005/0148942 A1 * 7/2005 Newby et al. .... 604/192
5,580,018	A	12/1996	Remmers		2005/0247651 A1 11/2005 Craft
5,584,405	A	12/1996	Tunzi		2006/0011568 A1 1/2006 Remmers et al.
D392,553	S	3/1998	Dill		2006/0113443 A1 6/2006 Remmers
5,752,610	A	5/1998	Remmers		2006/0175495 A1 * 8/2006 Gregory ..... 248/250
5,755,414	A	5/1998	Remmers		2007/0023374 A1 2/2007 Nawrocki
D394,999	S	6/1998	Phillip		2007/0068887 A1 3/2007 Nawrocki
5,758,851	A	6/1998	Remmers		2007/0101545 A1 5/2007 Nawrocki
D402,536	S	12/1998	Cousins		2007/0102604 A1 5/2007 Nawrocki
D403,234	S	12/1998	Nagato		2007/0108146 A1 5/2007 Nawrocki
D408,175	S	4/1999	Daniels et al.		2007/0108148 A1 5/2007 Stitchick et al.
D409,866	S	5/1999	West		2007/0114197 A1 5/2007 Remmers
D411,738	S	6/1999	Raasch et al.		2007/0114348 A1 5/2007 Nawrocki
5,909,936	A	6/1999	Daniels et al.		2007/0119805 A1 5/2007 Nawrocki
5,921,412	A	7/1999	Merl		2007/0137417 A1 6/2007 Nawrocki et al.
6,053,465	A	4/2000	Kluge		2007/0159040 A1 7/2007 Fernandez et al.
D423,917	S	5/2000	Remmers et al.		2007/0187561 A1 8/2007 Xayoiphonh
D427,466	S	7/2000	Remmers		2007/0205172 A1 9/2007 Stitchick et al.
D437,515	S	2/2001	Remmers et al.		2008/0047098 A1 2/2008 Nawrocki
6,279,467	B1	8/2001	Tiemann		
6,402,108	B1	6/2002	Remmers		
6,457,594	B1	10/2002	Tiemann		
6,467,860	B2	10/2002	Remmers		
6,494,653	B2	12/2002	Remmers		
D470,398	S	2/2003	Remmers		
D477,144	S	7/2003	Remmers		
6,626,509	B2	9/2003	Remmers		

OTHER PUBLICATIONS

U.S. Appl. No. 11/014,663, filed Dec. 16, 2004, Remmers.  
U.S. Appl. No. 11/933,694, filed Nov. 1, 2007, Nawrocki.

U.S. Appl. No. 29/252,059, filed Jan. 18, 2006, Nawrocki.

\* cited by examiner

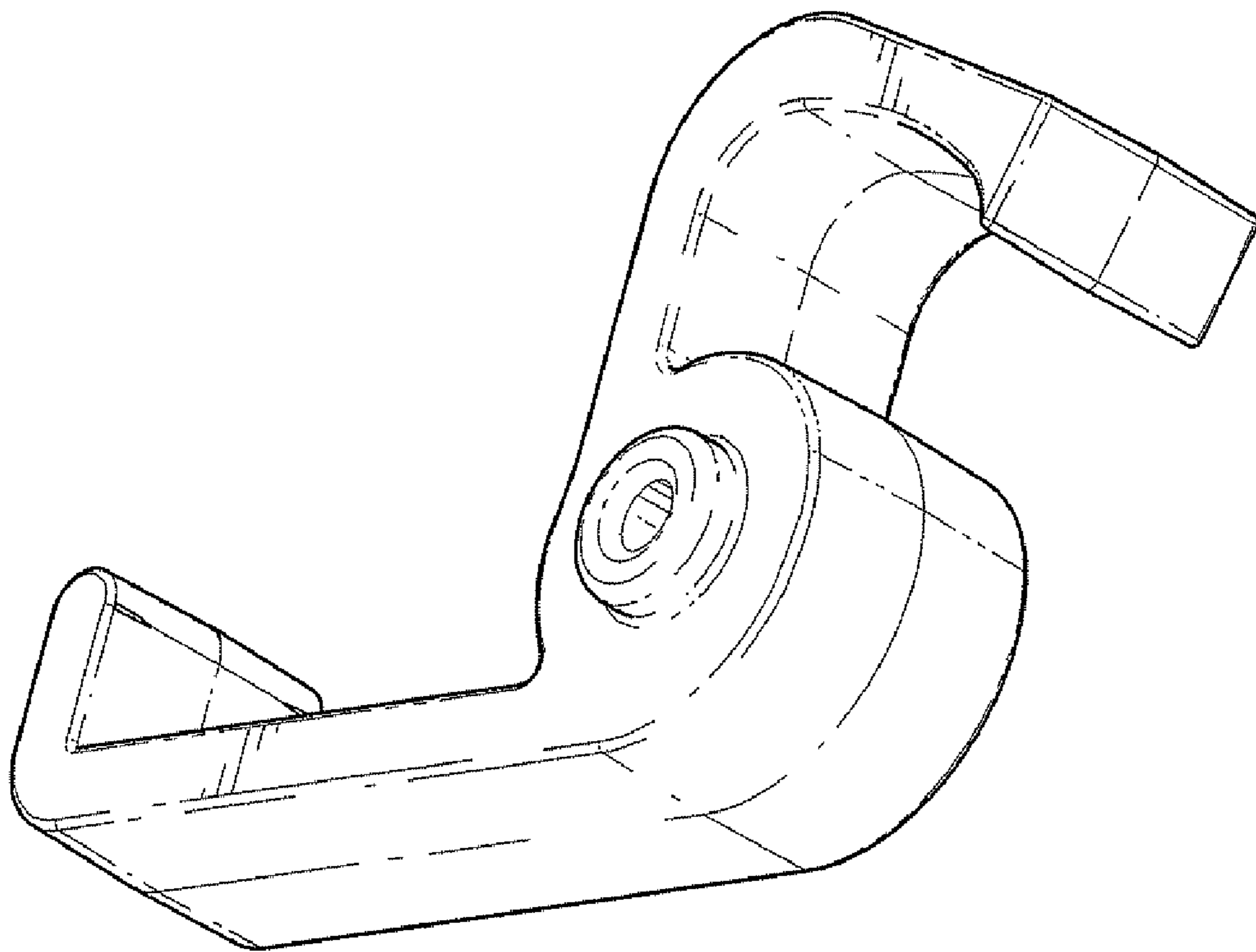


FIG. 1

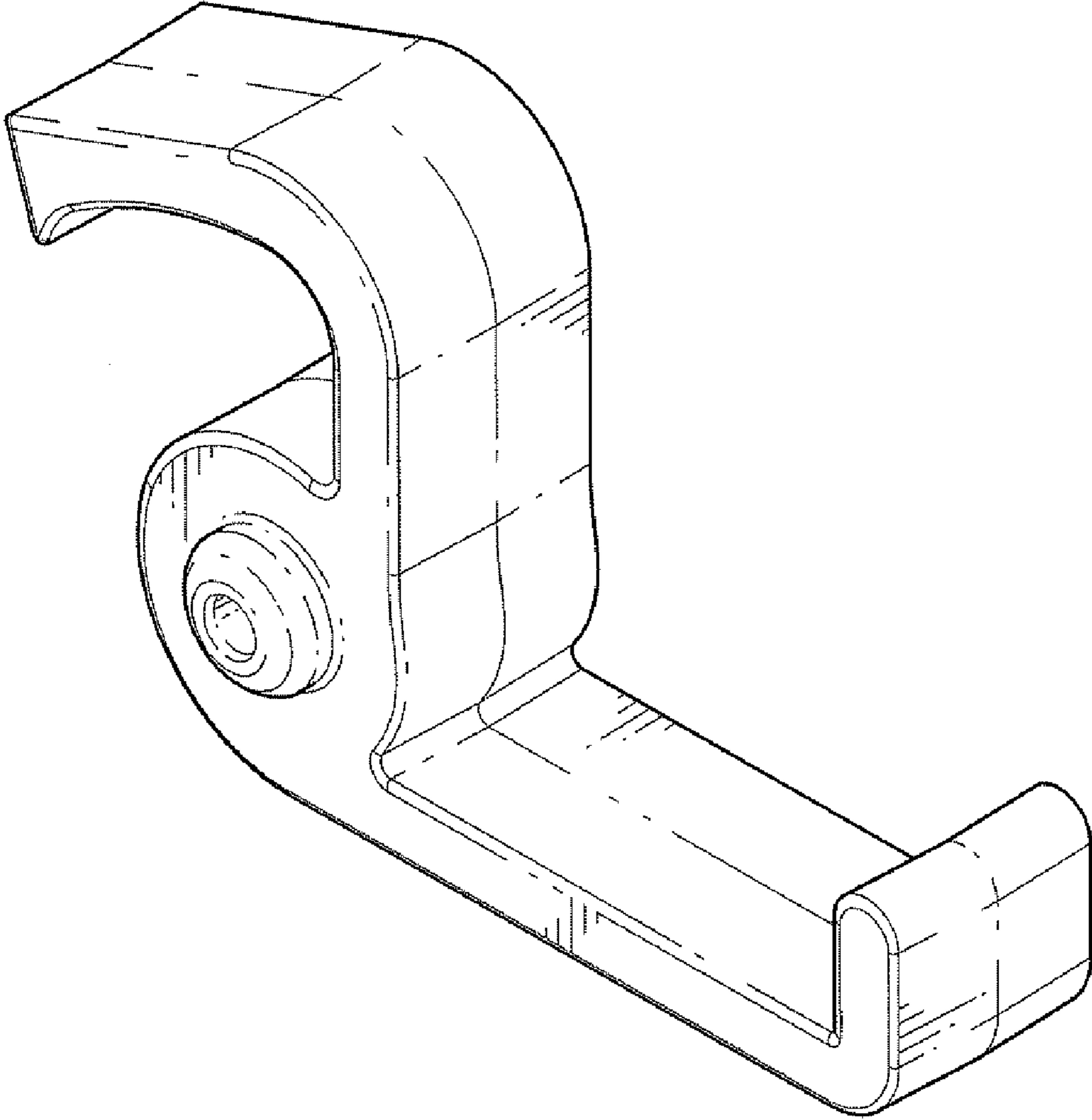


FIG. 2

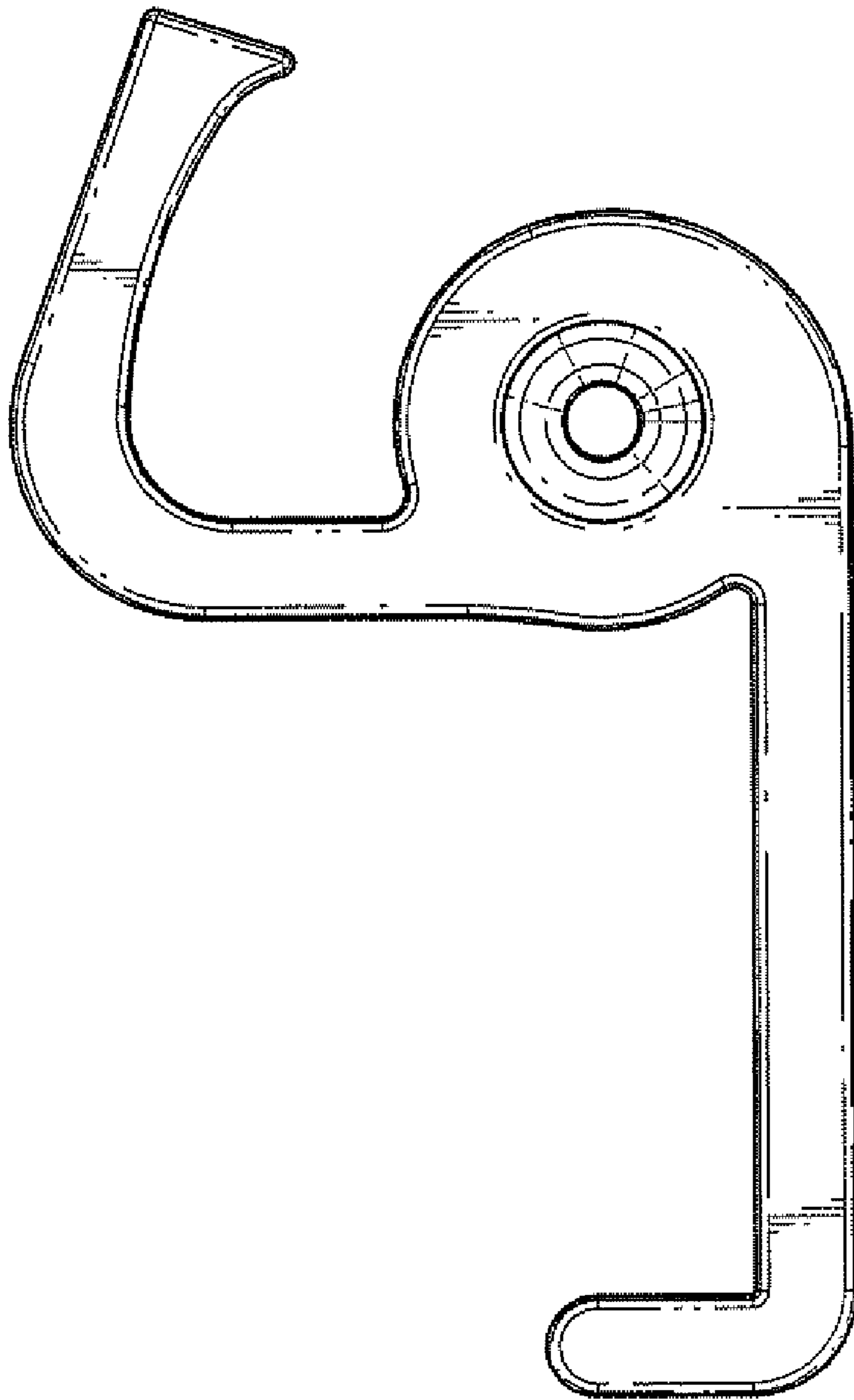


FIG. 3

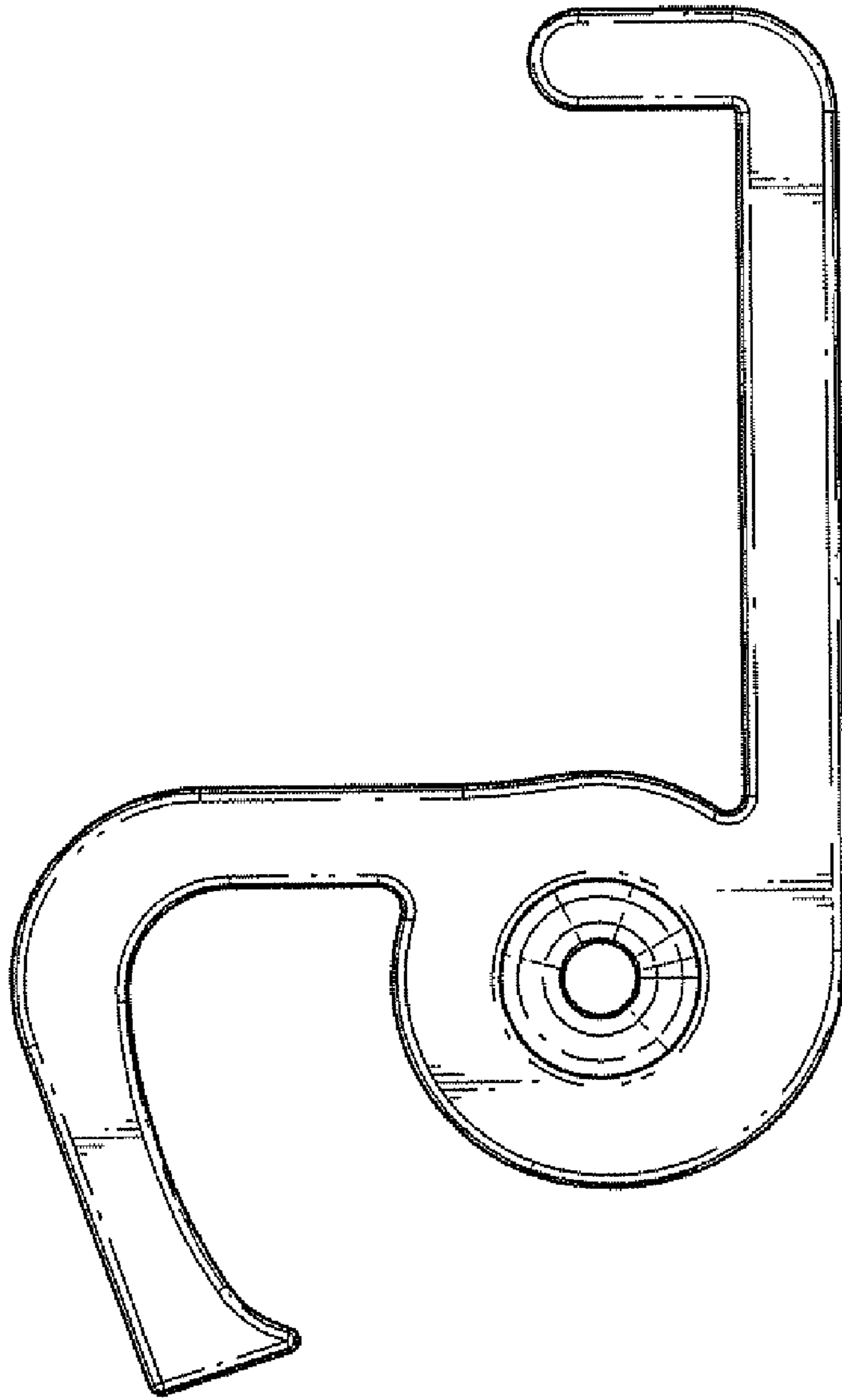


FIG. 4

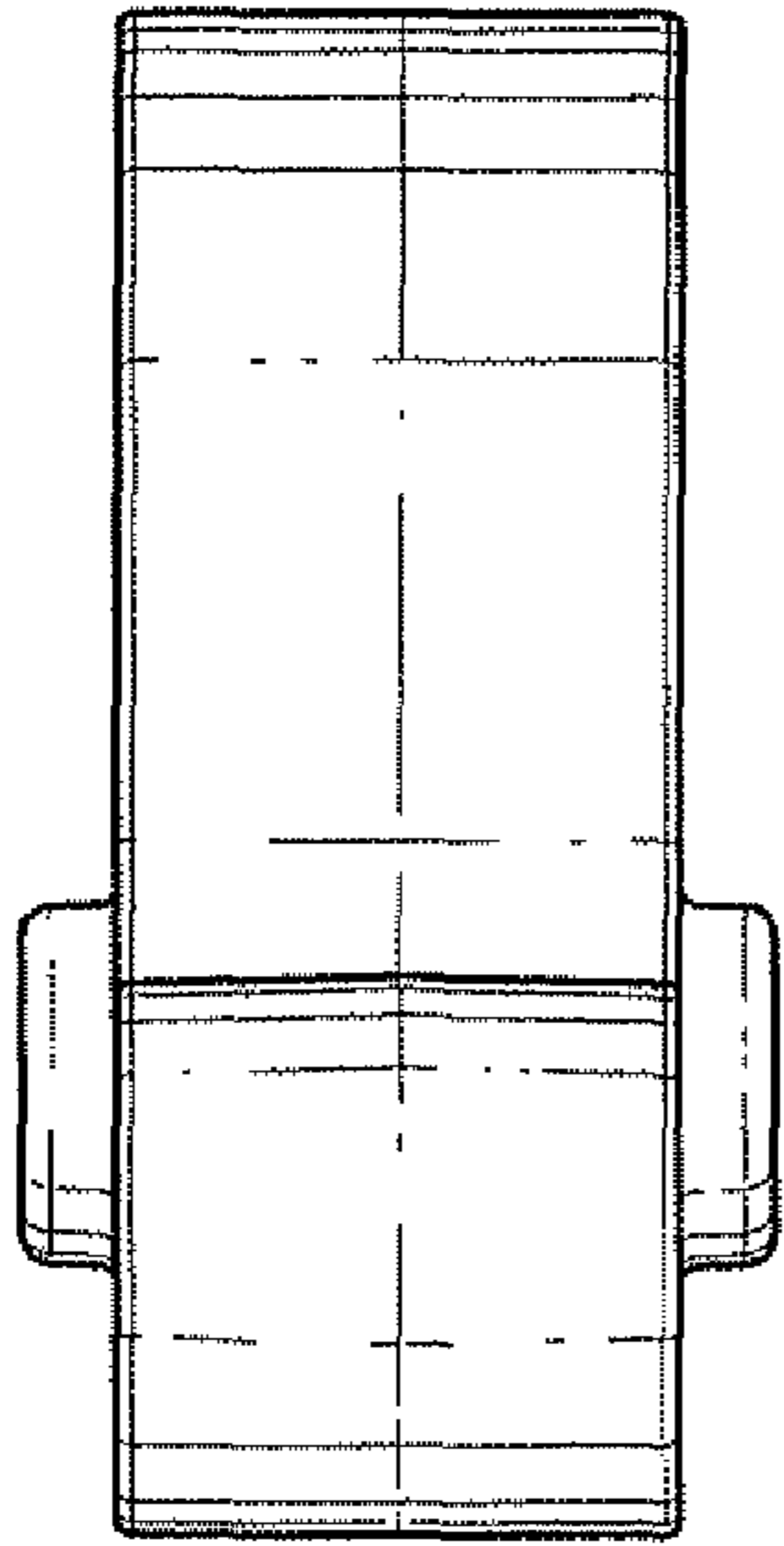


FIG. 5

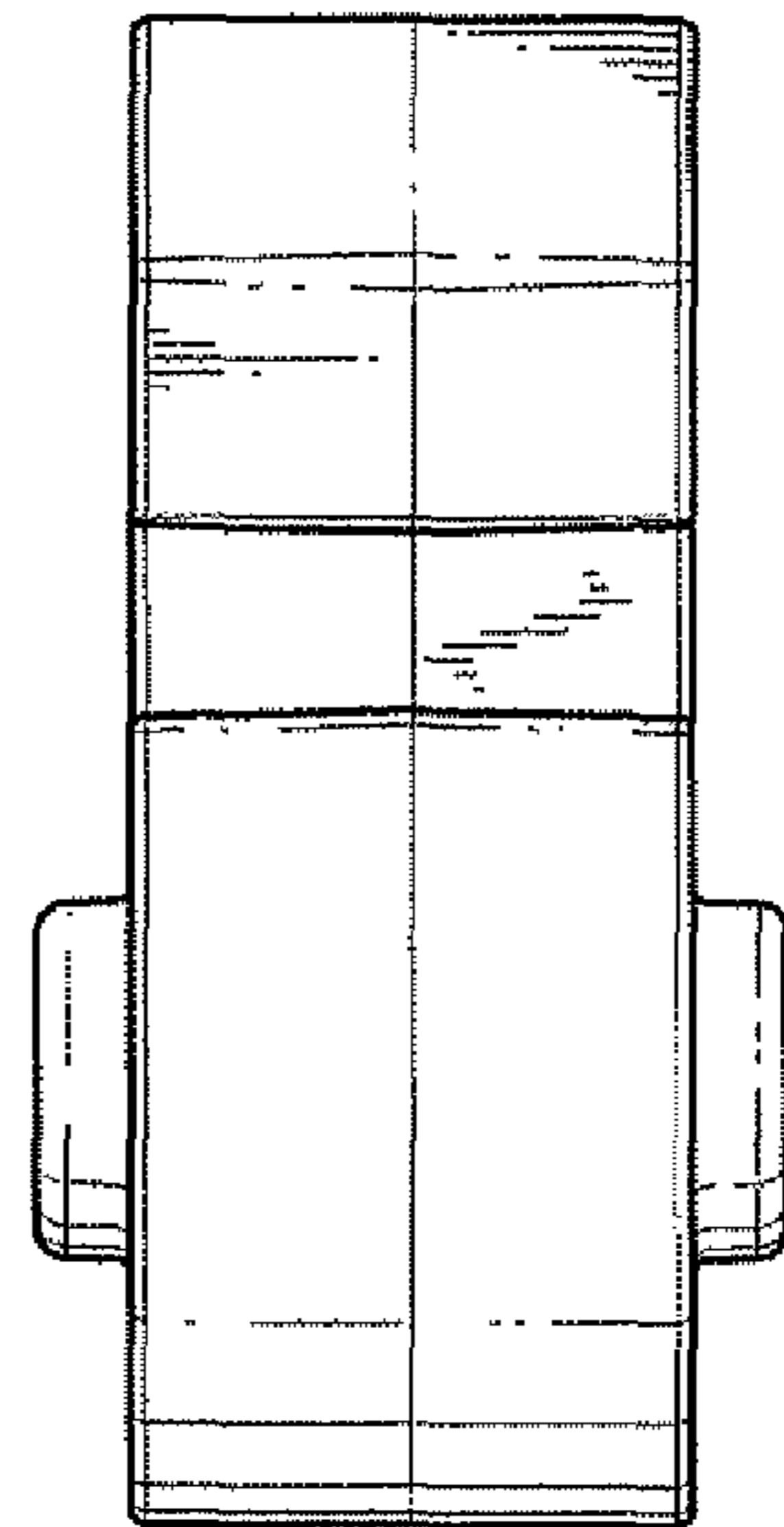


FIG. 6



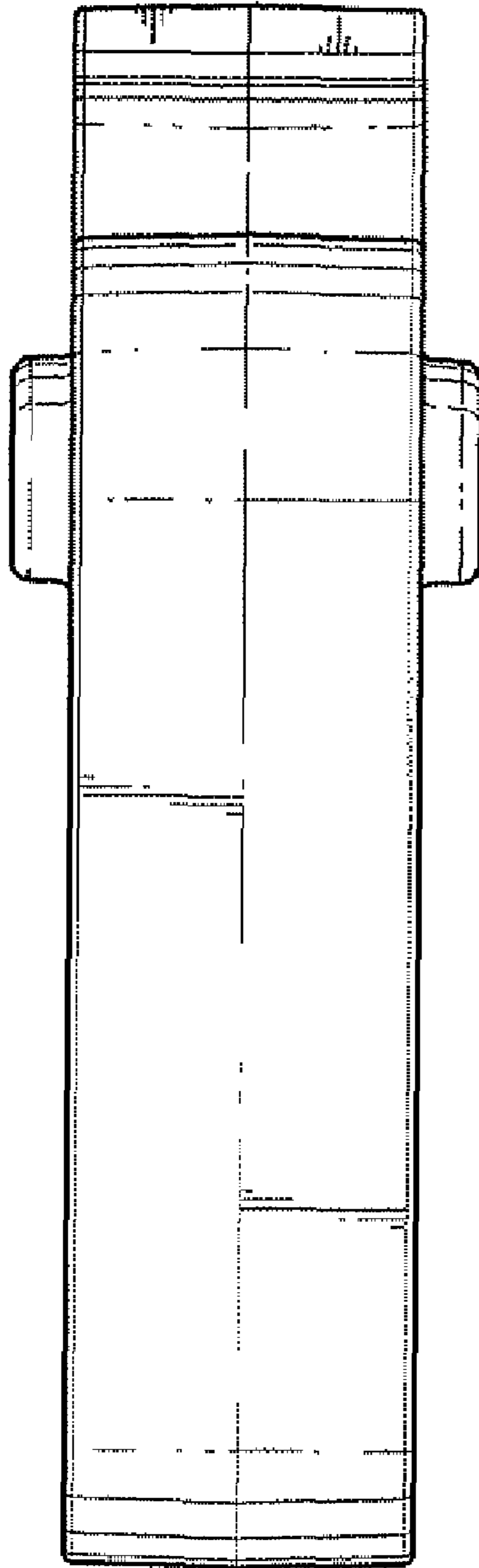


FIG. 7

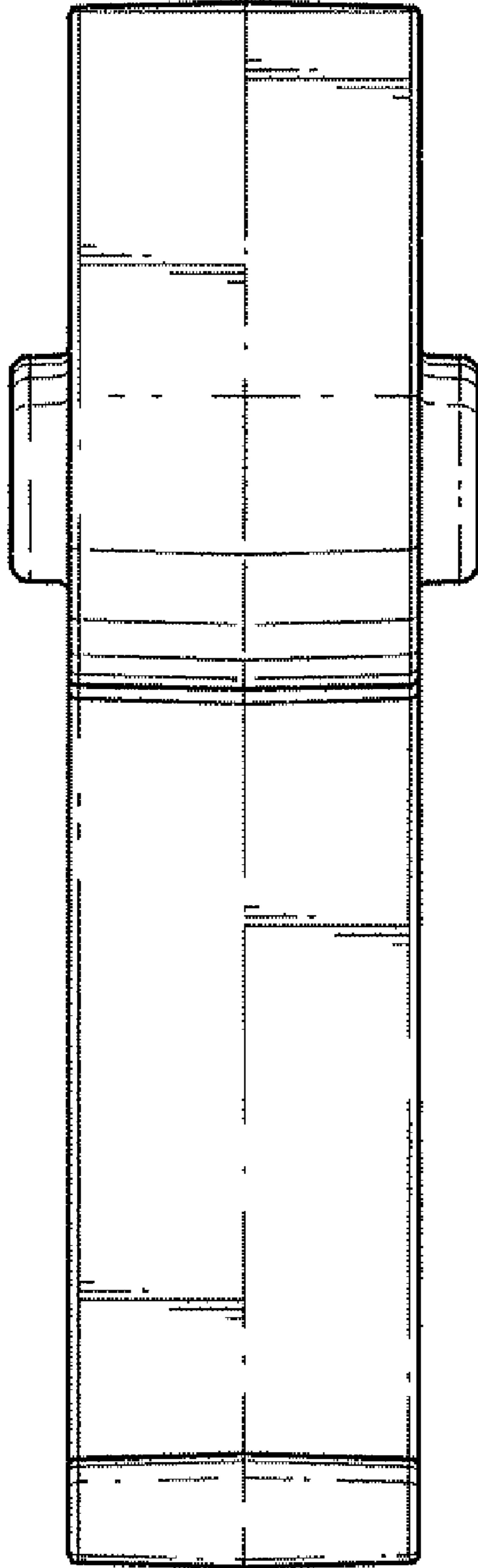


FIG. 8

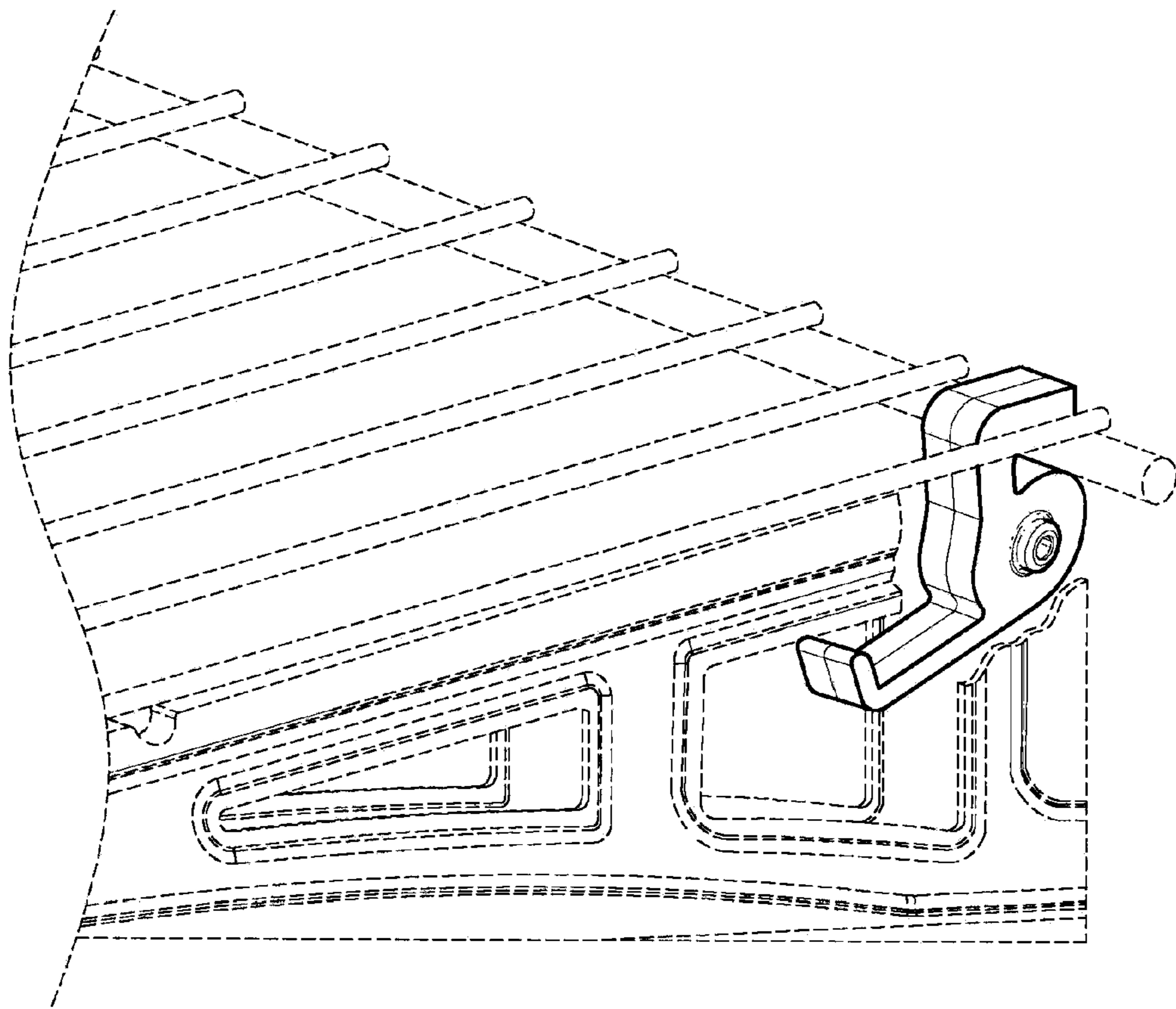


FIG. 9