



US00D589779S

(12) **United States Design Patent**
Wrase et al.

(10) **Patent No.:** **US D589,779 S**
(45) **Date of Patent:** **** Apr. 7, 2009**

(54) **ERGONOMIC LOCKING PIN**

6,575,000 B1 * 6/2003 Li 70/34
D484,773 S * 1/2004 Wyers D8/330

(76) Inventors: **Ronald H. Wrase**, 9430 Woodridge Way, Savage, MN (US) 55378; **Bruce E. Kyro**, 6360 Broadview Dr., Prior Lake, MN (US) 55372

* cited by examiner

Primary Examiner—Prabhakar Deshmukh
(74) *Attorney, Agent, or Firm*—Robert A. Pajak

(**) Term: **14 Years**

(57) **CLAIM**

(21) Appl. No.: **29/280,240**

The ornamental design for an ergonomic locking pin, as shown and described.

(22) Filed: **May 22, 2007**

(51) **LOC (9) Cl.** **08-07**

(52) **U.S. Cl.** **D8/330; D8/331; D8/339**

(58) **Field of Classification Search** D8/330, D8/331, 336, 339, 341, 343; 70/181–189, 70/431, 14, 34, 33, 91; 292/86, 259 R, 288, 292/340, 32, 156, 41, 119

See application file for complete search history.

DESCRIPTION

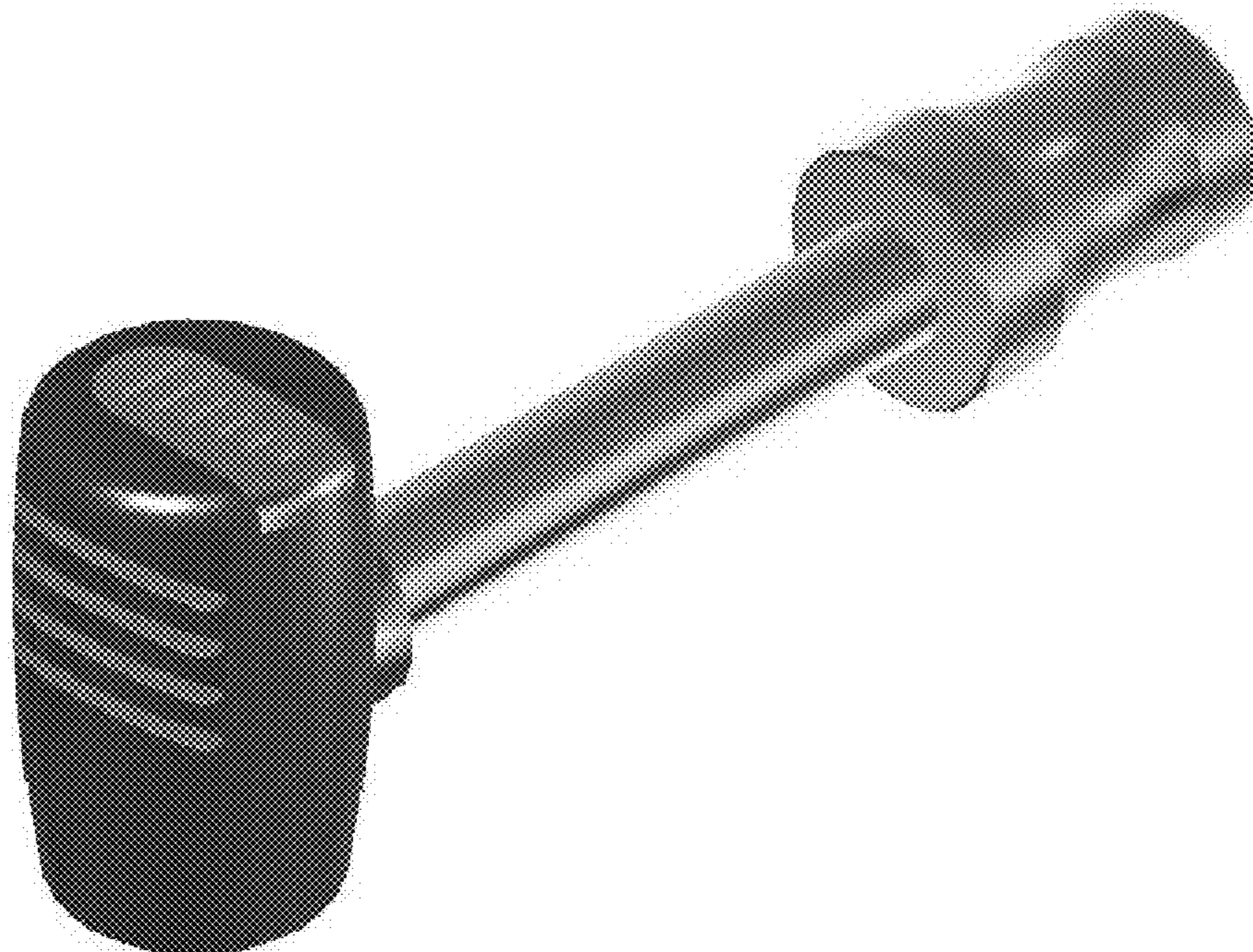
(56) **References Cited**

U.S. PATENT DOCUMENTS

- 4,711,106 A * 12/1987 Johnson 70/34
- D295,606 S * 5/1988 Ault D8/330
- 5,284,038 A * 2/1994 Johnson 70/232
- 5,682,775 A * 11/1997 Baber 70/34
- 6,055,832 A * 5/2000 Wyers 70/34
- D428,795 S * 8/2000 Wyers D8/341
- D444,050 S * 6/2001 Wyers D8/341
- D447,043 S * 8/2001 Wyers D8/339
- 6,425,272 B1 * 7/2002 Chen 70/34
- D461,392 S * 8/2002 Zapushek D8/331

FIG. 1 is a top plan view;
 FIG. 2 is a side elevation view;
 FIG. 3 is a bottom plan view;
 FIG. 4 is a side elevation view as seen from the opposite side of FIG. 2;
 FIG. 5 is a front elevation view thereof from the left side of FIG. 2;
 FIG. 6 is a rear elevation view thereof from the right side of FIG. 2;
 FIG. 7 is a perspective view of an ergonomic locking pin;
 FIG. 8 is an exploded perspective view of an ergonomic locking pin with lock cover in position to expose key receptacle; and,
 FIG. 9 is an exploded top plan view with lock cover in position to expose key receptacle.

1 Claim, 4 Drawing Sheets



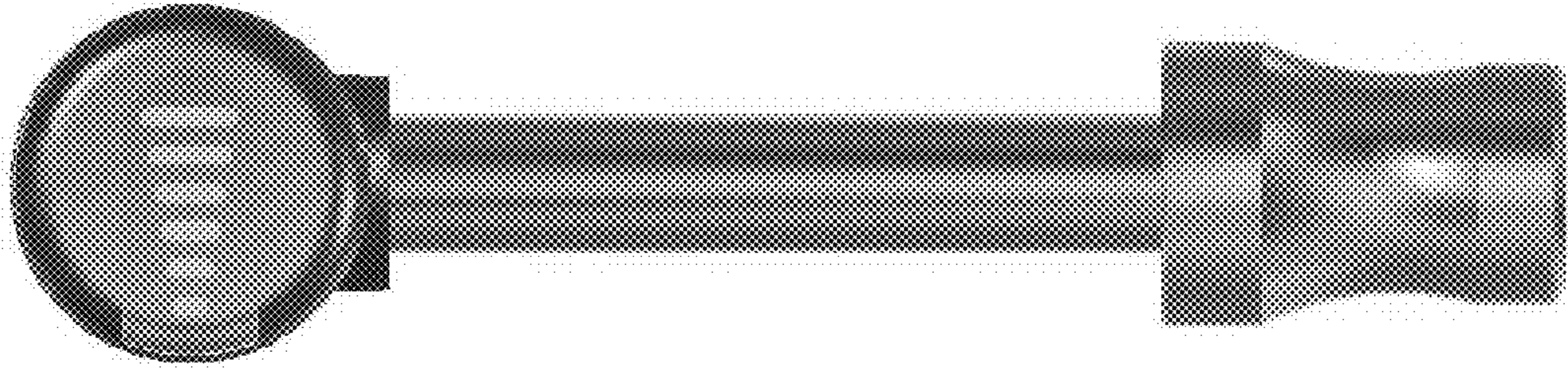


Figure 1

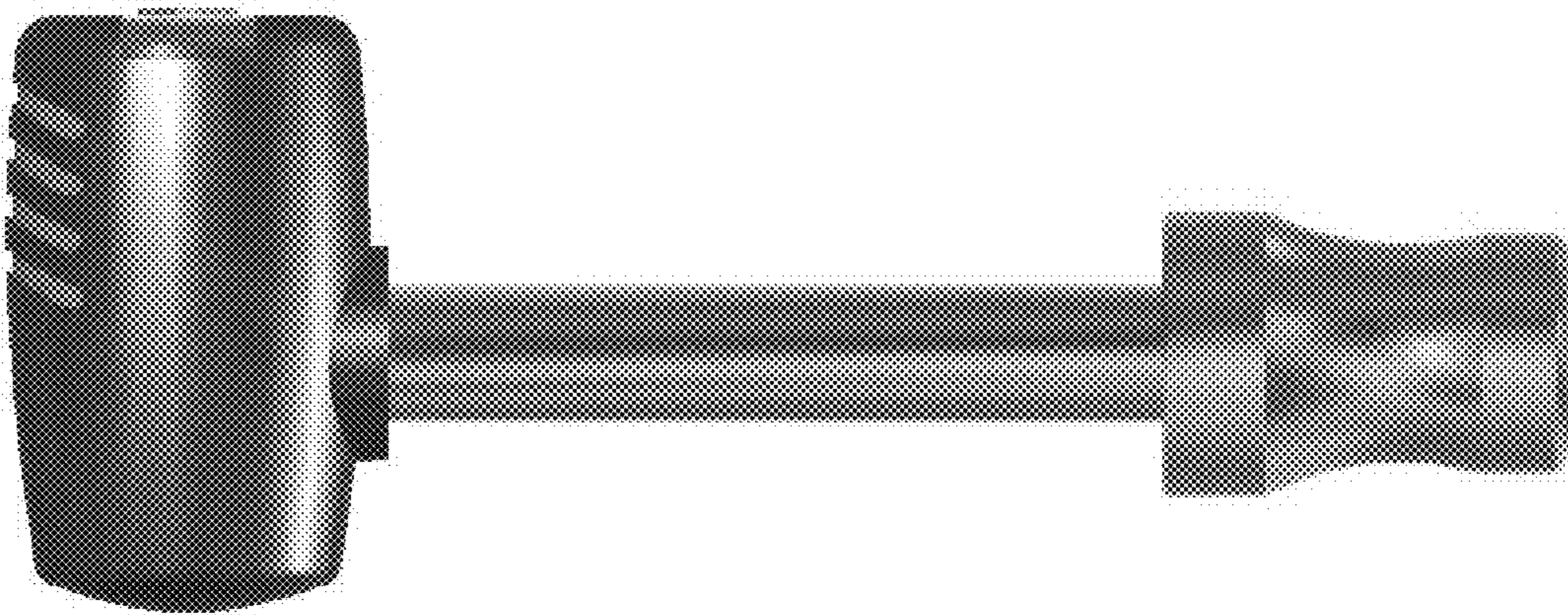


Figure 2

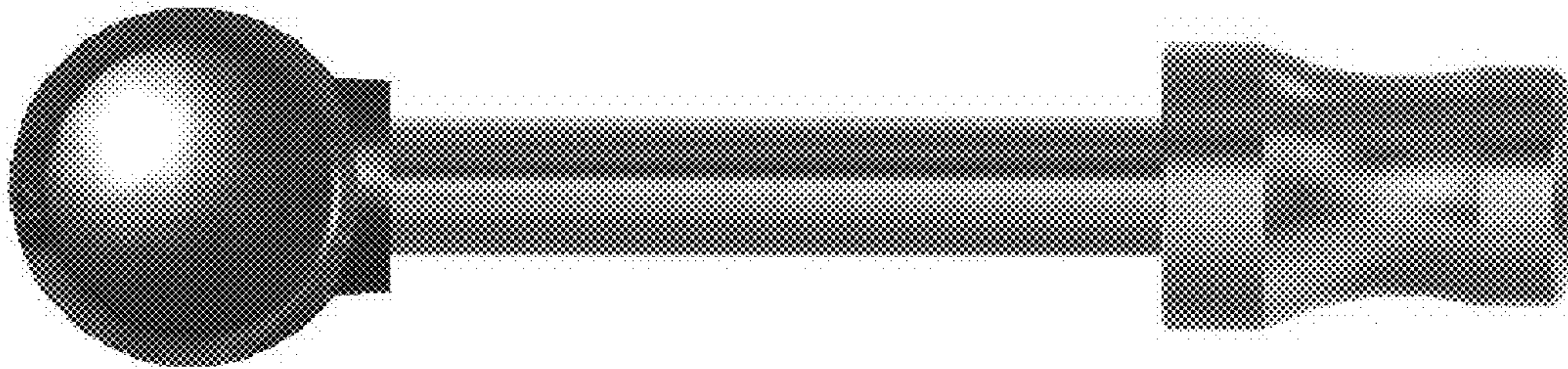


Figure 3

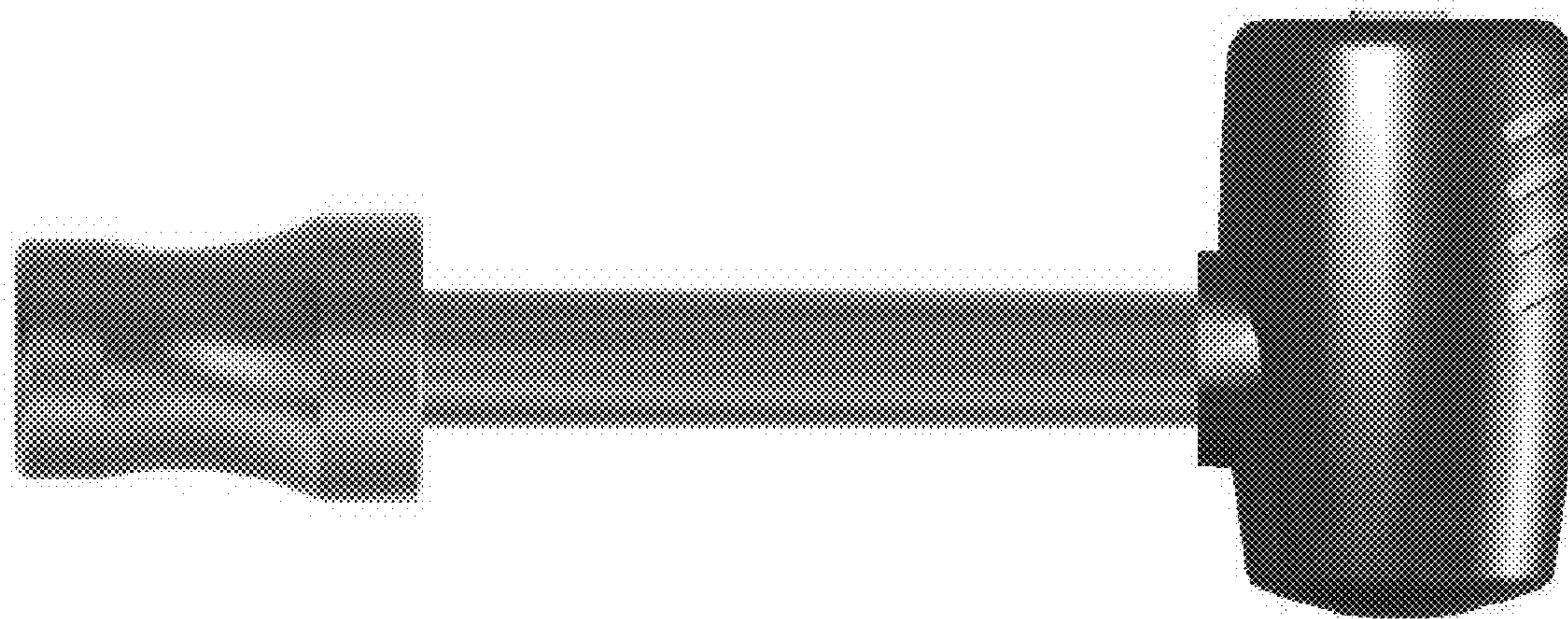


Figure 4

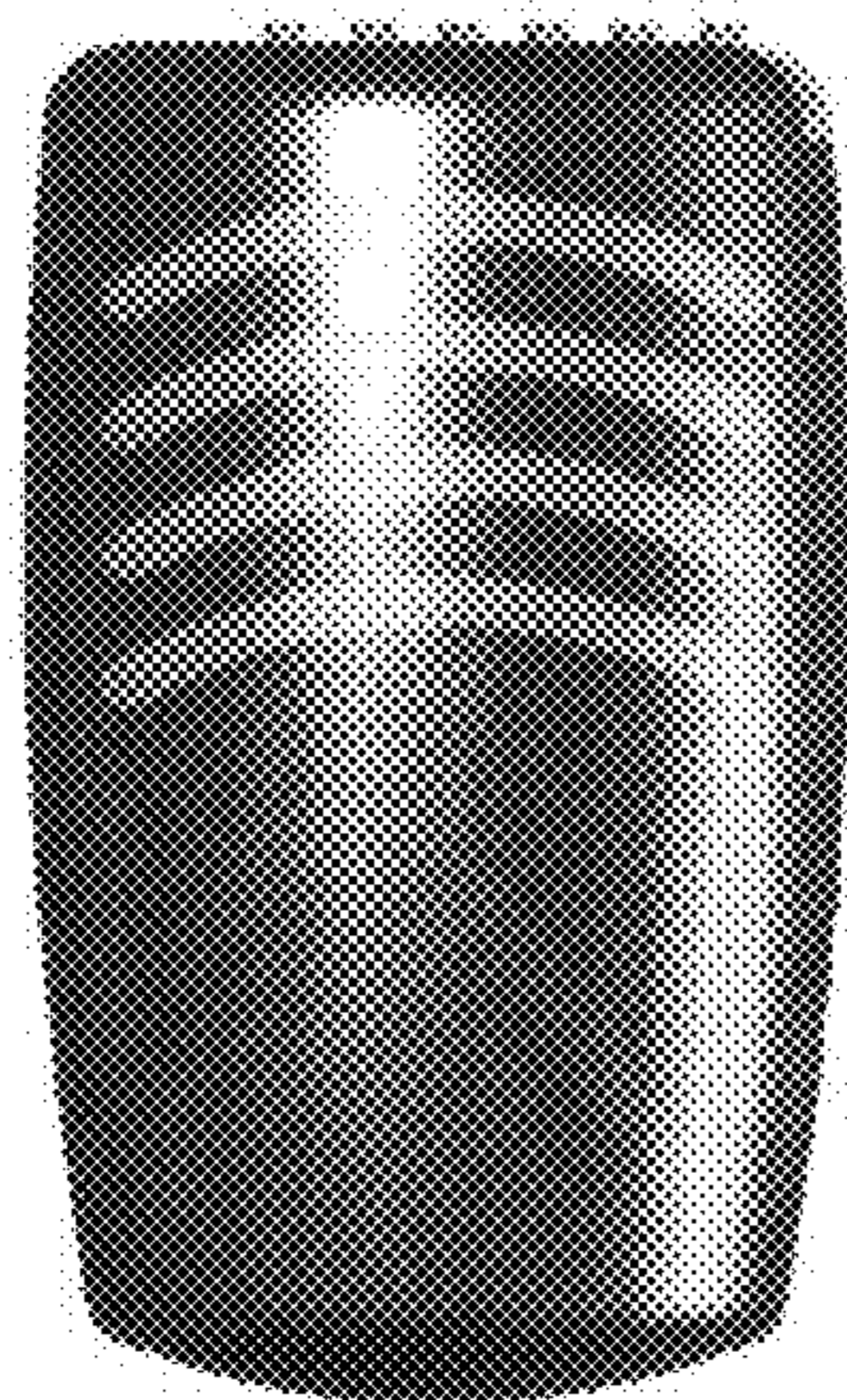


Figure 5

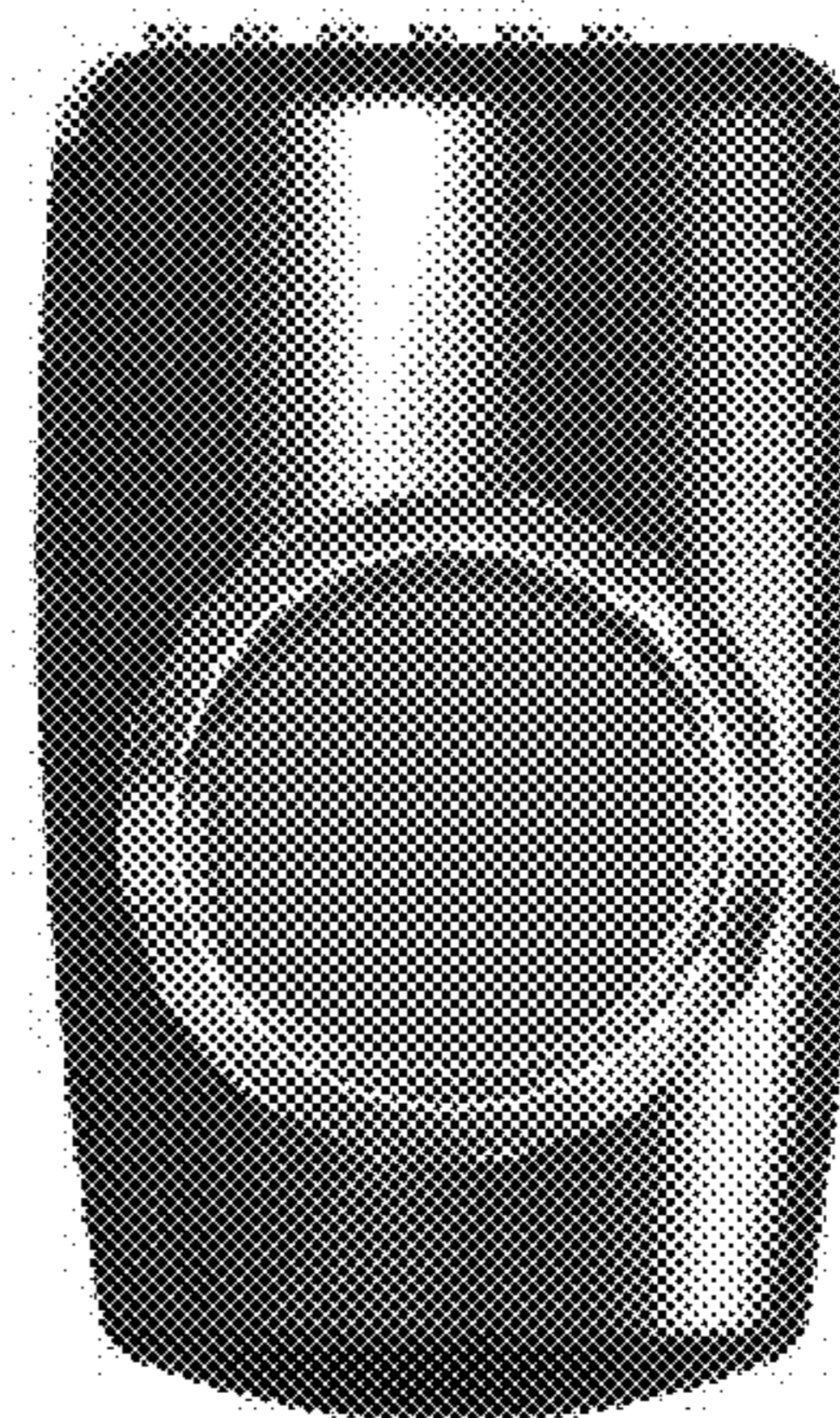


Figure 6

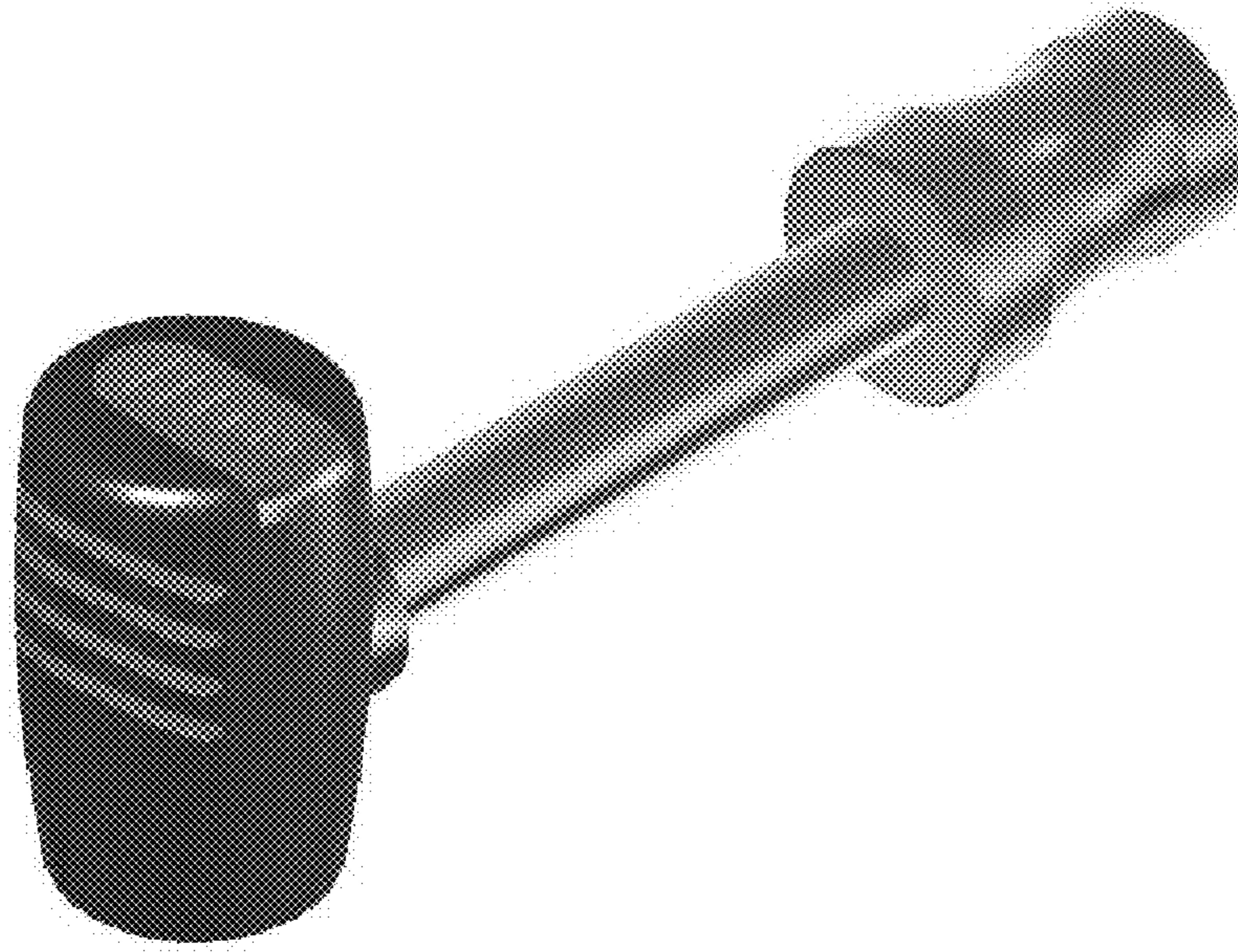


Figure 7



Figure 8

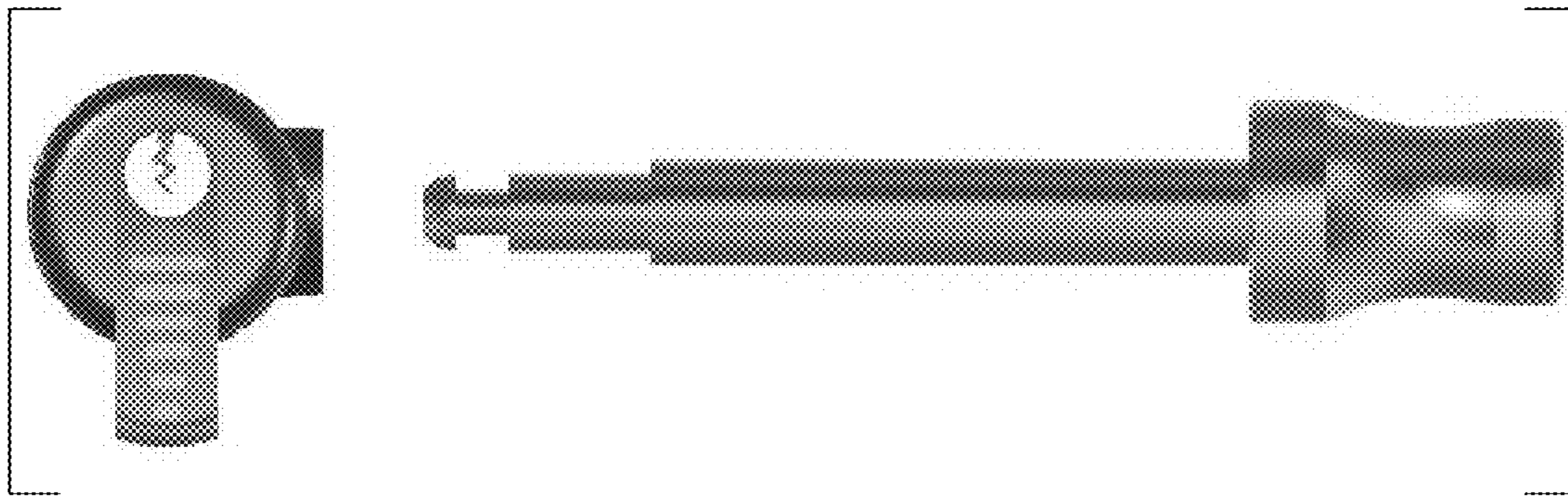


Figure 9