



US00D589778S

(12) **United States Design Patent**  
**Pratt**

(10) **Patent No.:** **US D589,778 S**

(45) **Date of Patent:** **\*\* Apr. 7, 2009**

(54) **HANDLE FOR ARM-MOUNTED VIDEO SCREEN**

D427,572 S \* 7/2000 Solomon et al. .... D14/439  
D491,270 S \* 6/2004 Barker ..... D24/186

(75) Inventor: **Richard L. Pratt**, Cincinnati, OH (US)

\* cited by examiner

(73) Assignee: **Healthcare Information, LLC**,  
Loveland, OH (US)

*Primary Examiner*—Stella M Reid  
*Assistant Examiner*—Mark A Goodwin

(\*\*) Term: **14 Years**

(74) *Attorney, Agent, or Firm*—Greenebaum Doll &  
McDonald PLLC; Glenn D. Bellamy

(21) Appl. No.: **29/261,929**

(57) **CLAIM**

(22) Filed: **Jun. 22, 2006**

The ornamental design for a handle for an arm-mounted video screen, as shown and described.

(51) **LOC (9) Cl.** ..... **08-06**

(52) **U.S. Cl.** ..... **D8/317**

(58) **Field of Classification Search** ..... D8/315–321;  
D14/239, 134; D6/546–548, 524, 550, 549,  
D6/518–523, 533, 530; 108/29; 211/27,  
211/123; 248/175; 16/444, 445  
See application file for complete search history.

**DESCRIPTION**

FIG. 1 is a front view of a handle for an arm-mounted video screen showing my new design;

FIG. 2 is a rear view thereof;

FIG. 3 is a left side view thereof;

FIG. 4 is a right side view thereof;

FIG. 5 is a bottom plan view thereof;

FIG. 6 is a top plan view thereof;

FIG. 7 is a top left perspective view thereof; and,

FIG. 8 is a top left perspective view thereof shown in use condition.

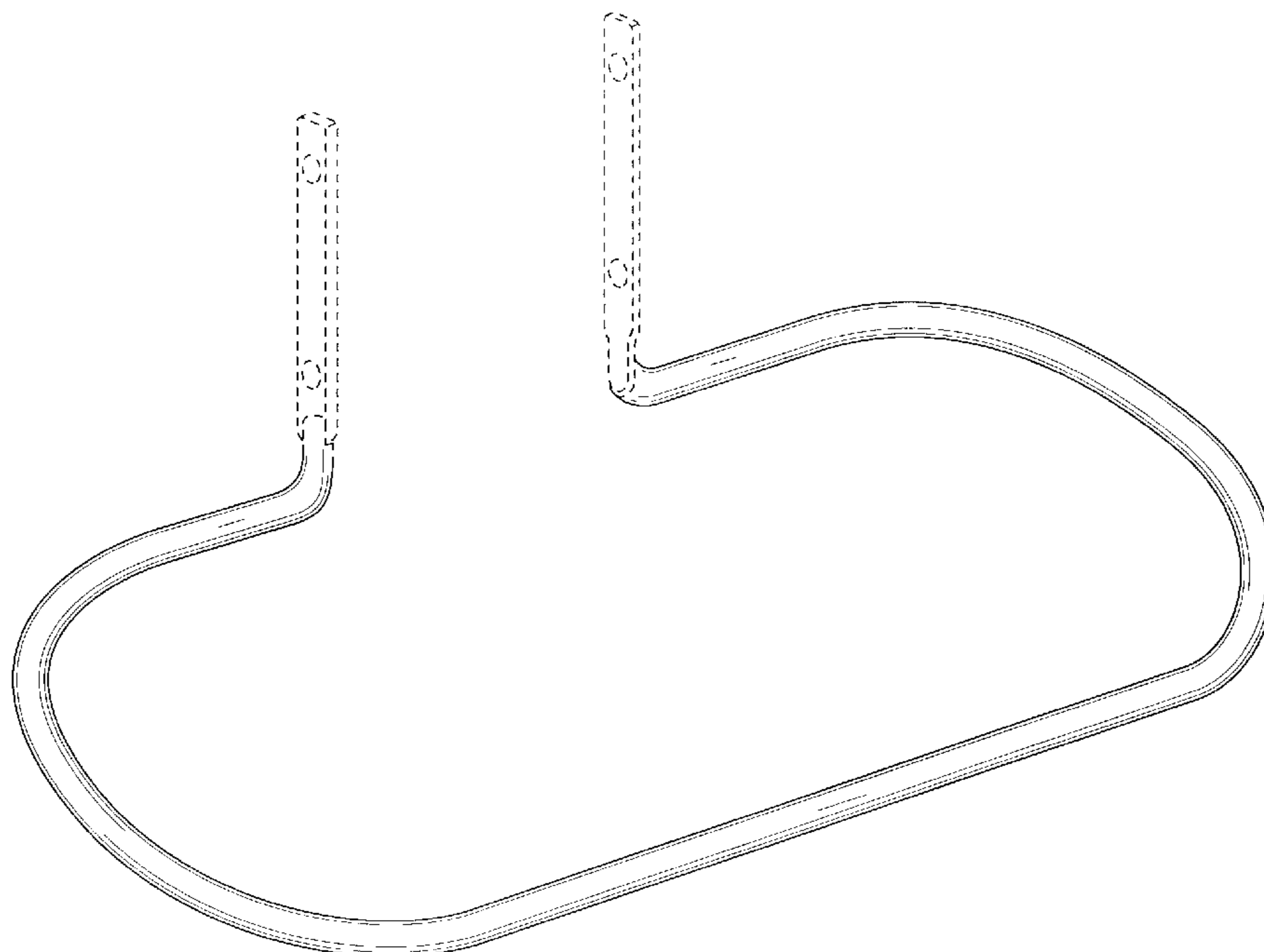
The broken line showing of the mounting portion of the handle in FIGS. 1–7 is included for the purpose of illustrating portions of the handle for an arm-mounted video screen, and the broken line showing of the overhead support bracket and video screen in FIG. 8 is included for illustrating environmental use only and forms no part of the claimed design.

(56) **References Cited**

U.S. PATENT DOCUMENTS

212,881	A	*	3/1879	Arnett	.....	16/445
799,538	A	*	9/1905	Conover	.....	220/766
1,238,753	A	*	9/1917	Ford	.....	16/444
1,532,898	A	*	4/1925	Holland	.....	16/444
D102,447	S	*	12/1936	Sakier	.....	D23/305
D132,261	S	*	5/1942	Sanford	.....	D8/316
D139,479	S	*	11/1944	Sale	.....	D6/549
2,511,317	A	*	6/1950	Arneson	.....	206/164
2,595,695	A	*	5/1952	Packer et al.	.....	16/444
D184,595	S	*	3/1959	Arnett	.....	D6/548
4,465,198	A	*	8/1984	Martin	.....	211/105.3
D303,255	S	*	9/1989	Bratasevec	.....	D14/371
D344,957	S	*	3/1994	Chang	.....	D14/265

**1 Claim, 8 Drawing Sheets**



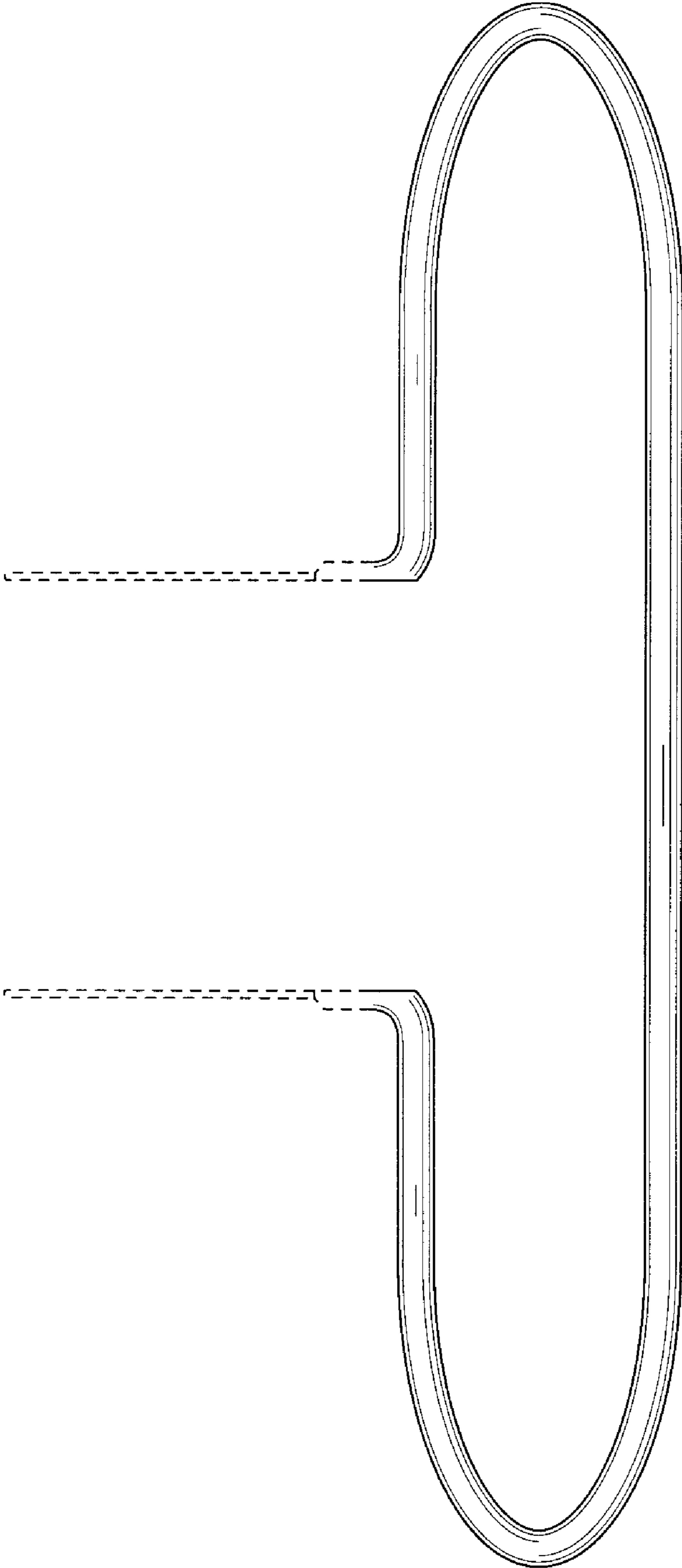


FIG. 1

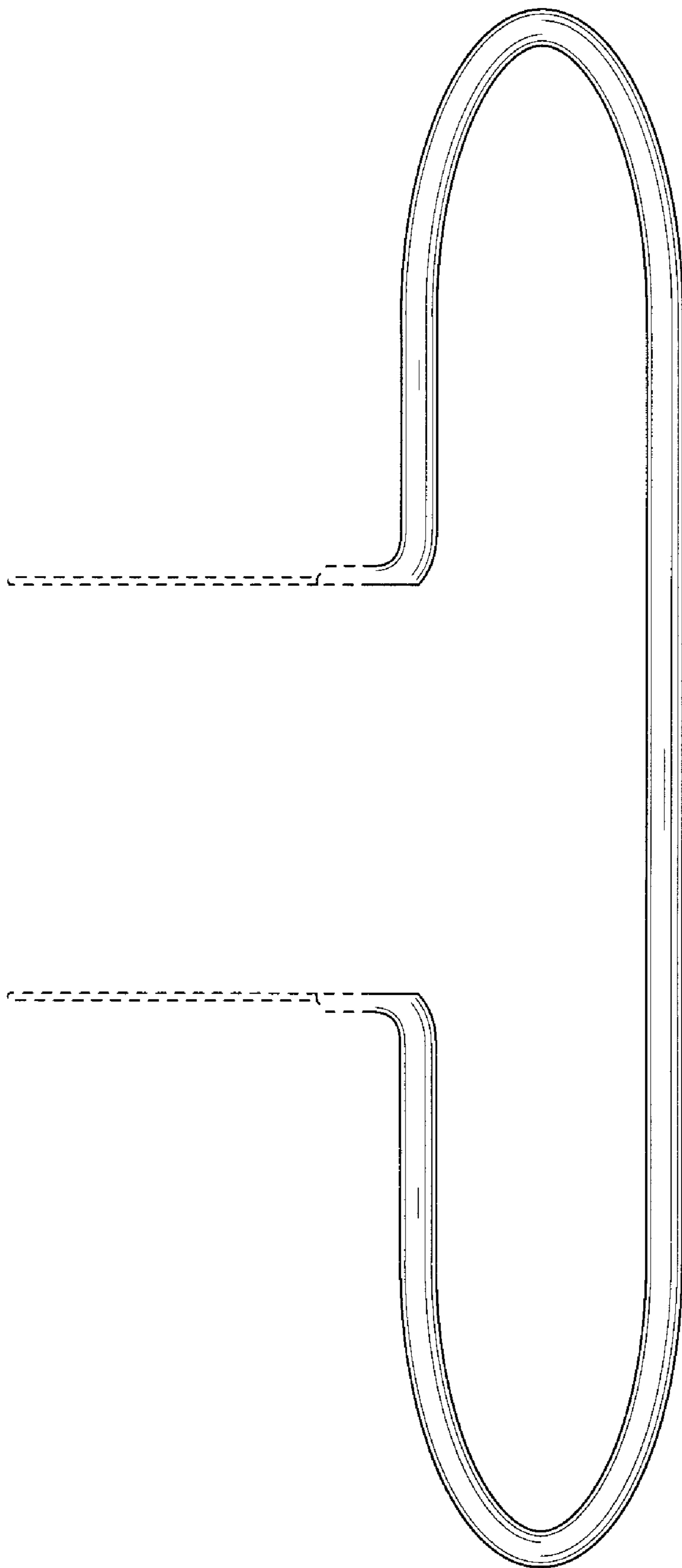


FIG. 2

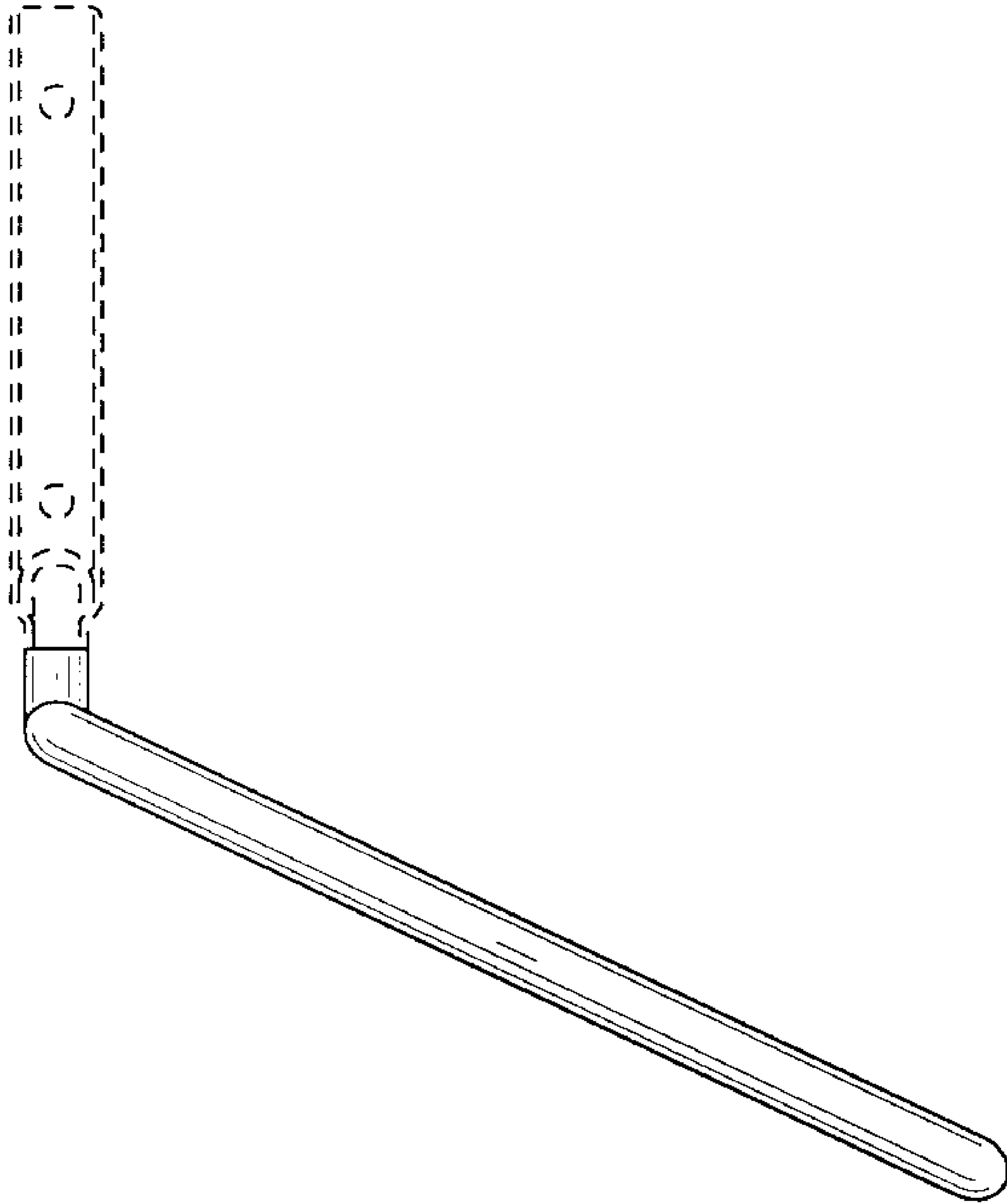


FIG. 3

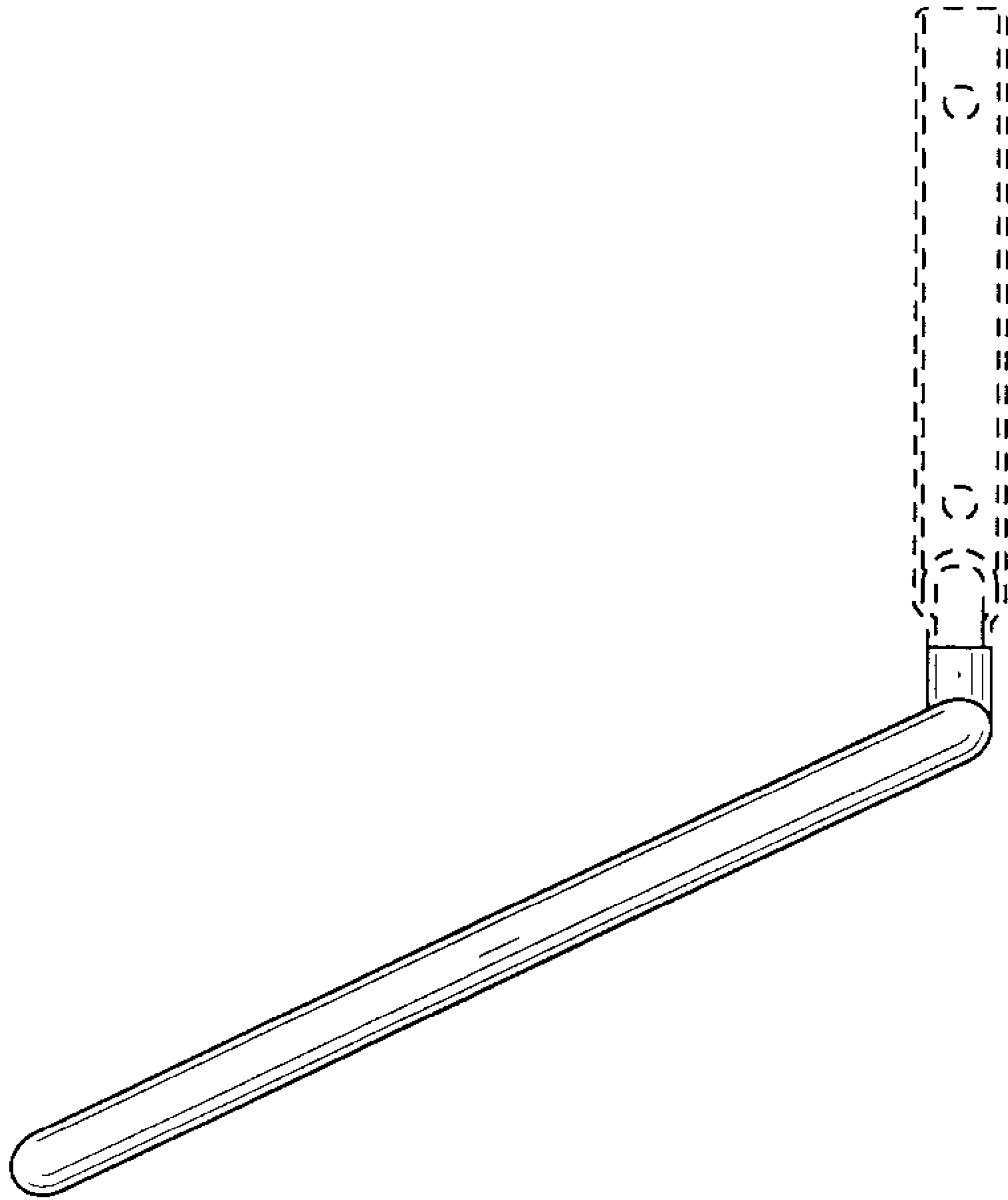


FIG. 4

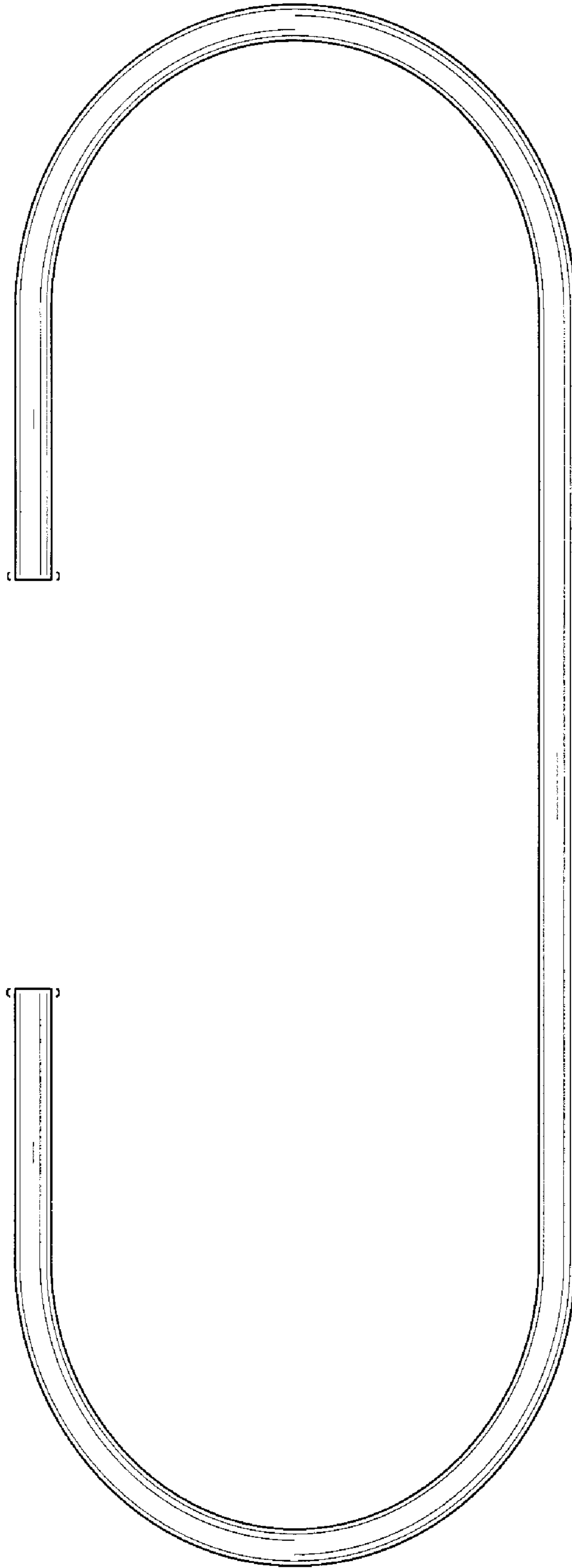


FIG. 5

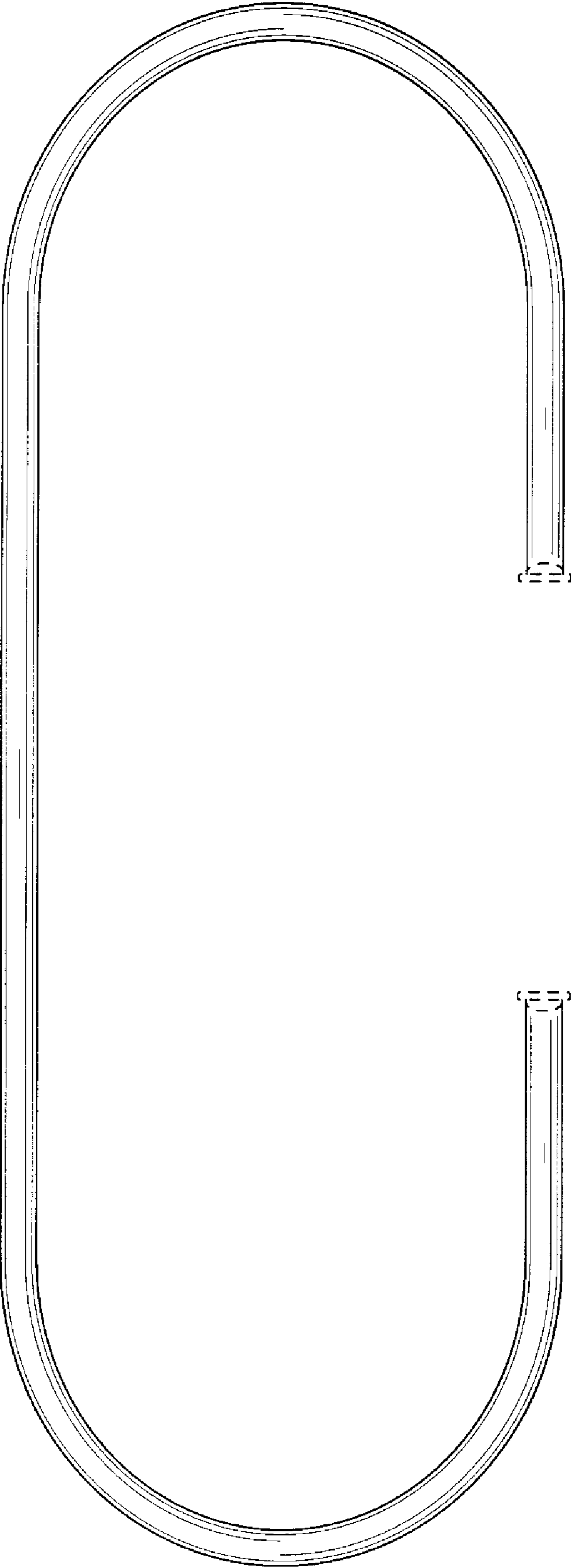


FIG. 6

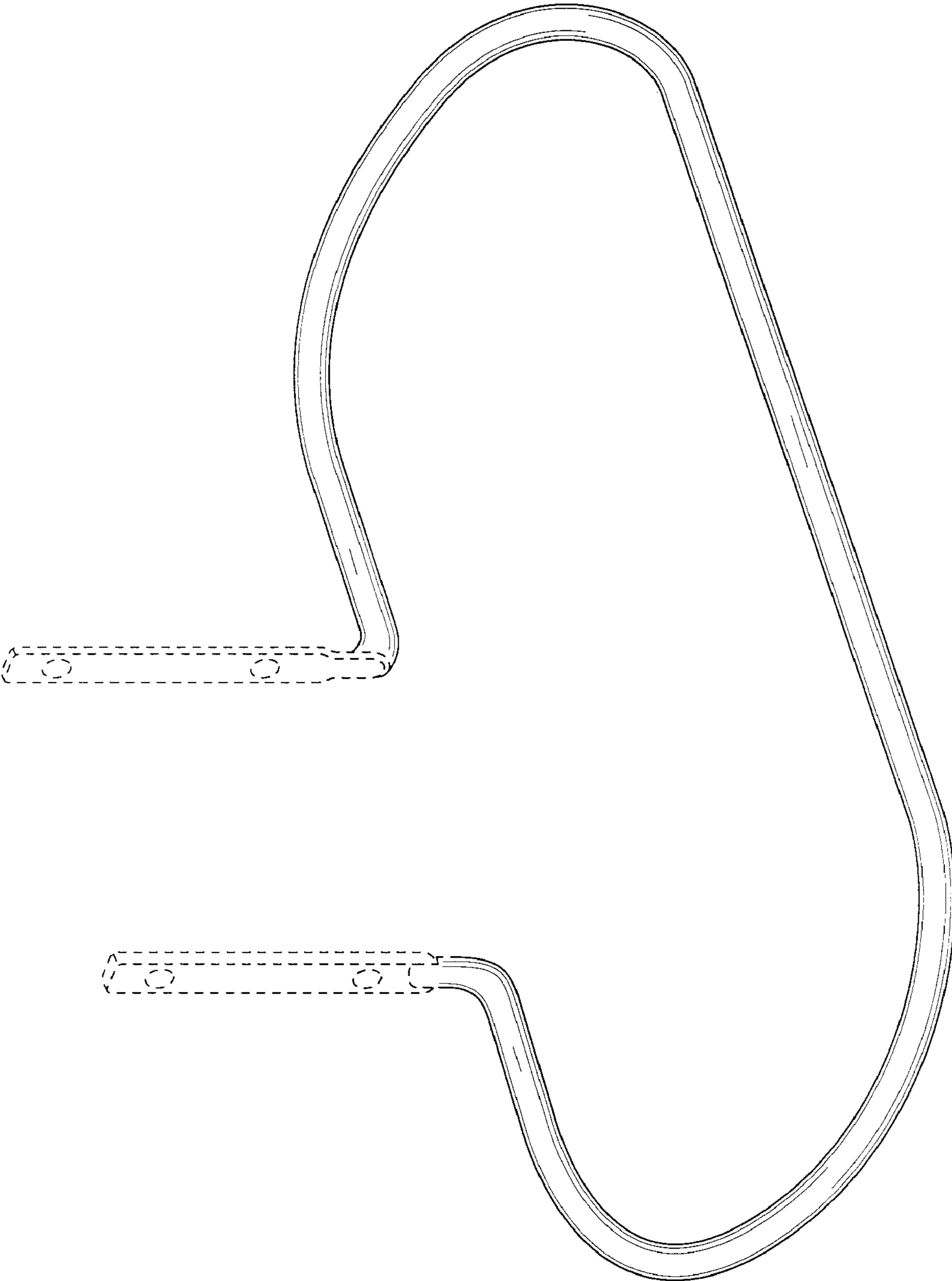


FIG. 7



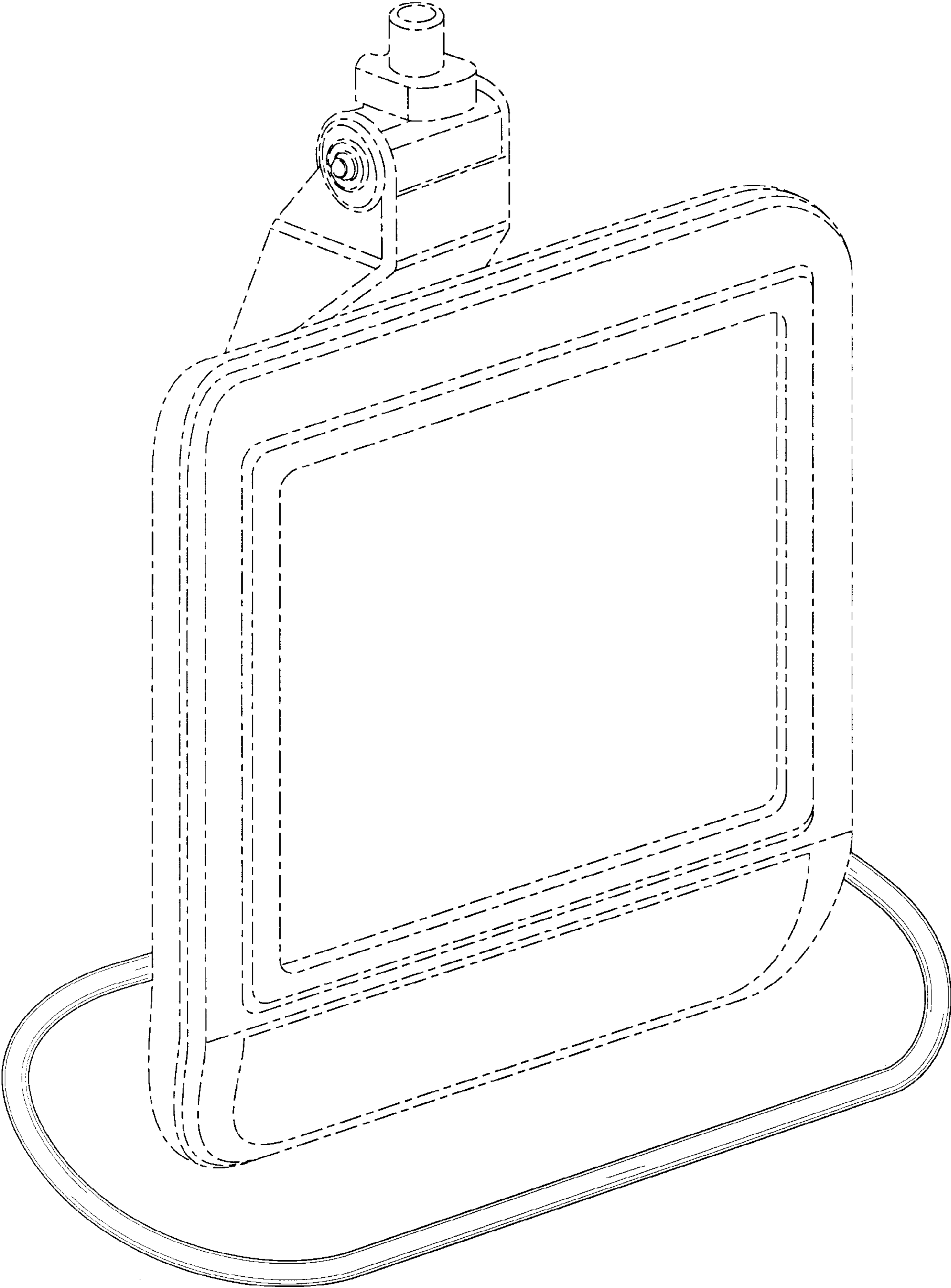


FIG. 8