



US00D589777S

(12) **United States Design Patent**
Brockington et al.

(10) **Patent No.:** **US D589,777 S**

(45) **Date of Patent:** **** Apr. 7, 2009**

(54) **SCREEN DOOR PUSH BAR**

(75) Inventors: **William T. Brockington**, Kemersville, NC (US); **Anthony D. Moore**, Summerfield, NC (US); **Kenneth M. Krewson**, Lansdale, PA (US)

(73) Assignee: **Camco Manufacturing, Inc.**, Greensboro, NC (US)

(**) Term: **14 Years**

(21) Appl. No.: **29/285,845**

(22) Filed: **Apr. 12, 2007**

(51) **LOC (9) Cl.** **08-06**

(52) **U.S. Cl.** **D8/316**

(58) **Field of Classification Search** D8/300, D8/315, 316, 318, 414; 292/92, 168, DIG. 65; 16/412, DIG. 5, 402; 70/92; 49/460; 29/516
See application file for complete search history.

(56) **References Cited**

U.S. PATENT DOCUMENTS

1,055,098 A	3/1913	Stone	
D59,782 S *	11/1921	Roth	D8/317
1,759,319 A	5/1930	Monroe	
D95,717 S	5/1935	Vernon	
2,078,478 A	4/1937	Allen	
D118,619 S	1/1940	Erickson	
D139,145 S	10/1944	Sadowski	
2,490,854 A	12/1949	Bozoti	
2,542,941 A	2/1951	Post	
2,576,511 A	11/1951	Jewett	
2,632,537 A *	3/1953	Marchand	49/460
2,870,493 A	1/1959	Beyrte	
2,931,078 A *	4/1960	Beyrle	49/460
2,961,694 A	11/1960	May	
D199,839 S *	12/1964	Simpson	D8/316
3,271,982 A *	9/1966	Welch	70/92
D218,619 S *	9/1970	Young	D8/316
4,019,004 A *	4/1977	Gute	200/61.43
D253,336 S	11/1979	DeWindt	
4,638,529 A	1/1987	Katona	

5,144,718 A	9/1992	Ozawa	
D370,617 S *	6/1996	Decursu et al.	D8/316
5,632,062 A	5/1997	Katz et al.	
5,860,538 A	1/1999	Duero et al.	
5,875,903 A	3/1999	Chen	
6,112,344 A	9/2000	Guenther	
6,145,897 A *	11/2000	Locher	292/92

(Continued)

OTHER PUBLICATIONS

Screen Door Push Bar, Camping World Website(www.campingworld.com), Manufactured by Camco Mfg. Inc., Mar. 8, 2007.

(Continued)

Primary Examiner—Stella M. Reid
Assistant Examiner—Mark A Goodwin

(57) **CLAIM**

The ornamental design for a screen door push bar, as shown and described.

DESCRIPTION

FIG. 1 is a top right rear perspective view of a screen door push bar showing our new design, said view being broken apart for ease of illustration to show indeterminate length;

FIG. 2 is a top left front perspective view thereof;

FIG. 3 is a front side elevational view thereof;

FIG. 4 is a bottom plan view thereof, the top plan view being a mirror image;

FIG. 5 is a rear elevational view thereof;

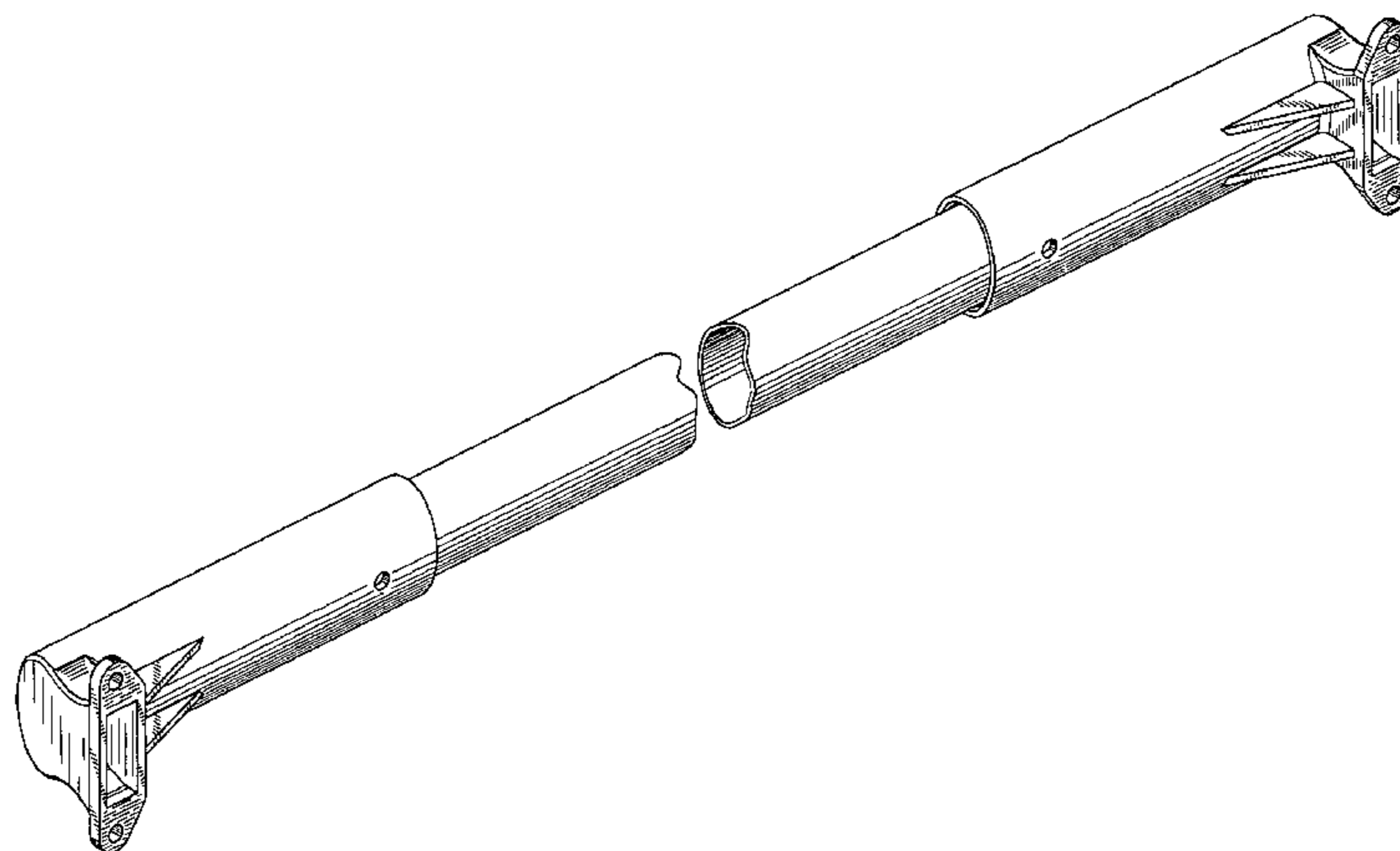
FIG. 6 is a left elevational view thereof, the right elevational view being a mirror image;

FIG. 7 is a sectional view thereof taken along line 7—7 in FIG. 4; and,

FIG. 8 is a top front right perspective view shown in use condition.

The broken line showing of the recreational vehicle screen door having a diamond pattern in FIG. 8 is included for the purpose of illustrating environmental use only and forms no part of the claimed design.

1 Claim, 3 Drawing Sheets



U.S. PATENT DOCUMENTS

D449,215 S * 10/2001 Bertani D8/316
D505,139 S * 5/2005 Jackovin D15/89
6,953,211 B2 * 10/2005 Di Vinadio 292/296
7,124,451 B2 10/2006 Moore

OTHER PUBLICATIONS

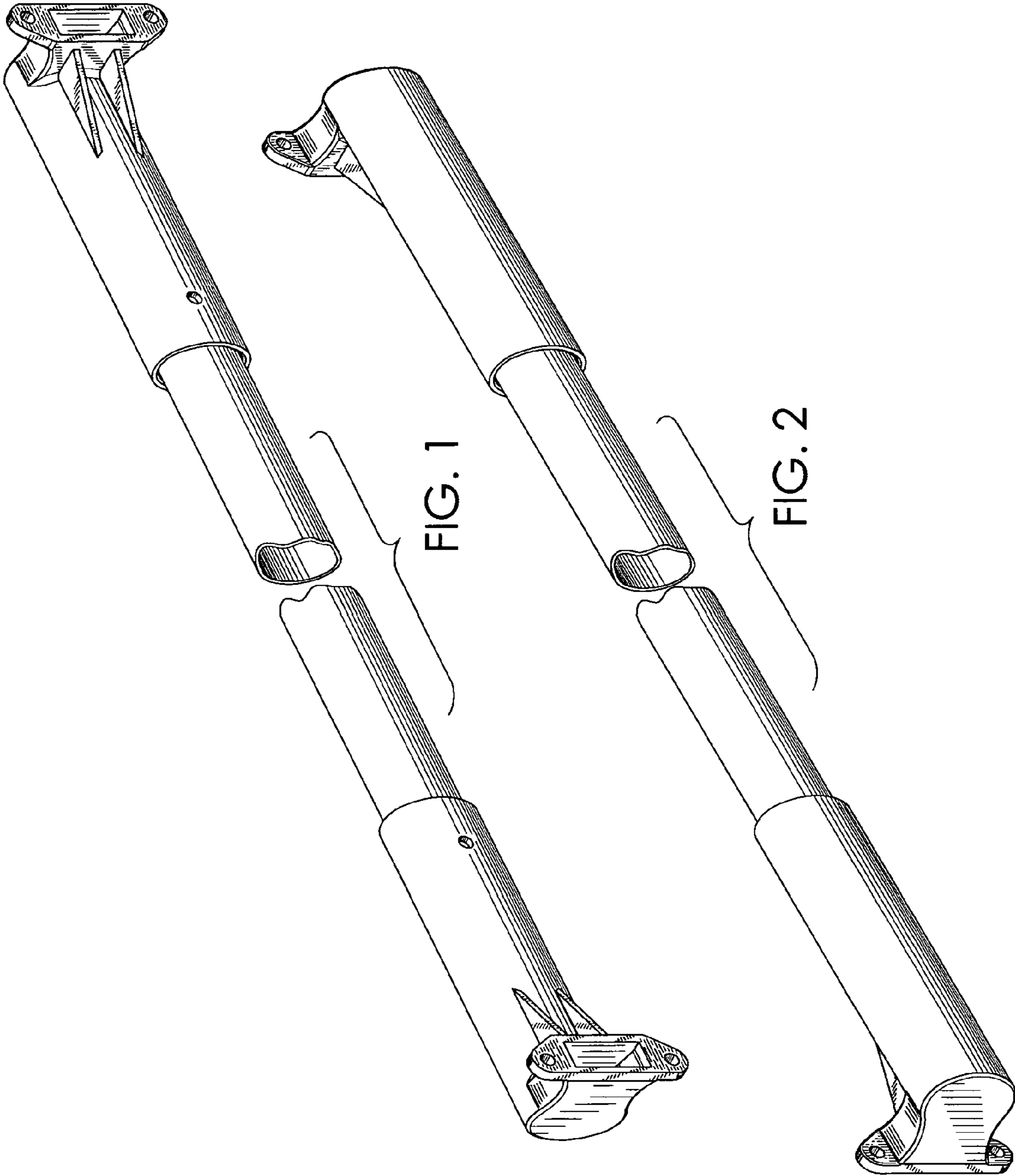
Screen & Storm Door Push Bar (Slide-Co Manufacturer's #K5166), Hardware World website (www.hardwareworld.com), Mar. 8, 2007.

Screen Door Push Bar (P/N 4228-0032S), Workshop Supply website (<http://storeworkshopsupply.com>), Mar. 8, 2007.

Push Bar or Pull—Fly Rod, Old Goats Inc. website (www.screendoors.com), Mar. 8, 2007.

Screen Door Guard (P/N's 40, 41 & 42), Rockwood Mfg. Co. on-line catalog website (www.rockwoodmfg.com), Mar. 8, 2007.

* cited by examiner



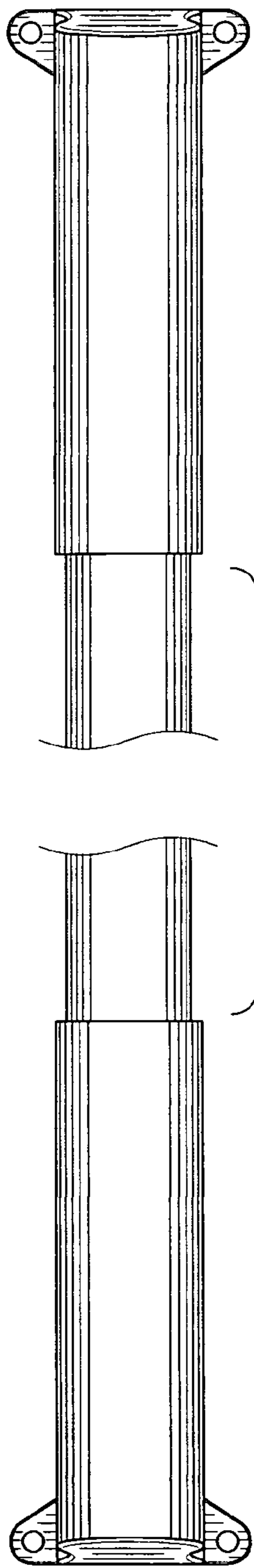


FIG. 3

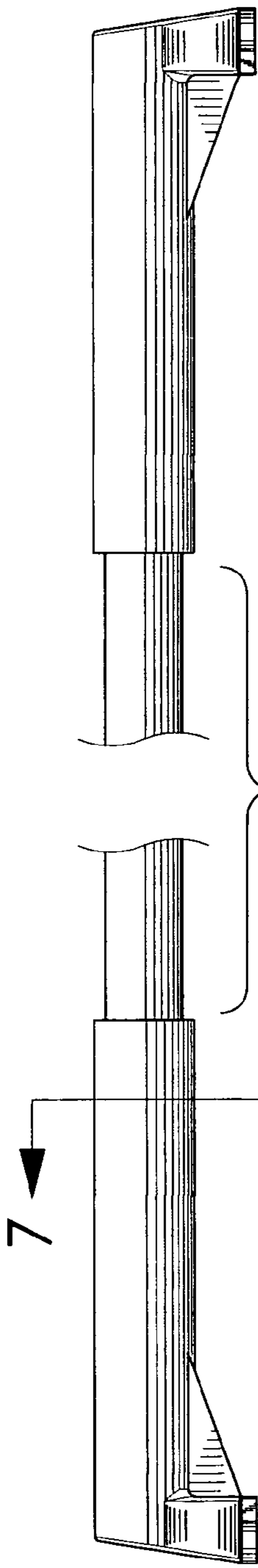


FIG. 4

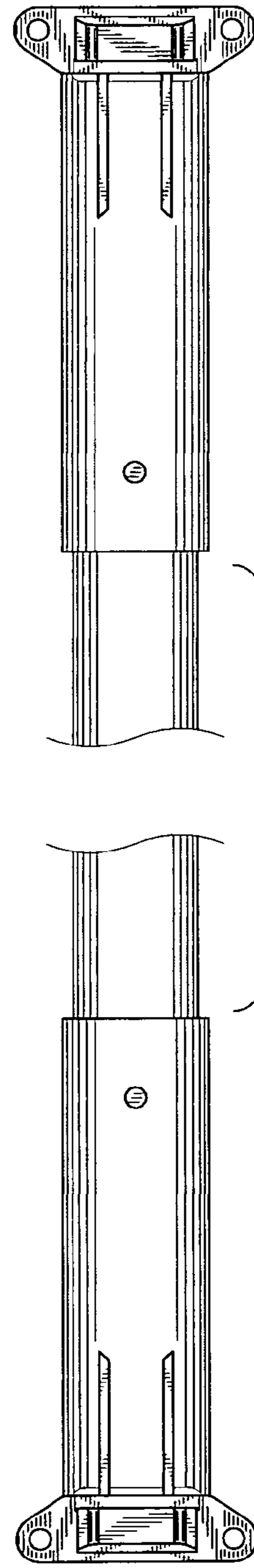


FIG. 5

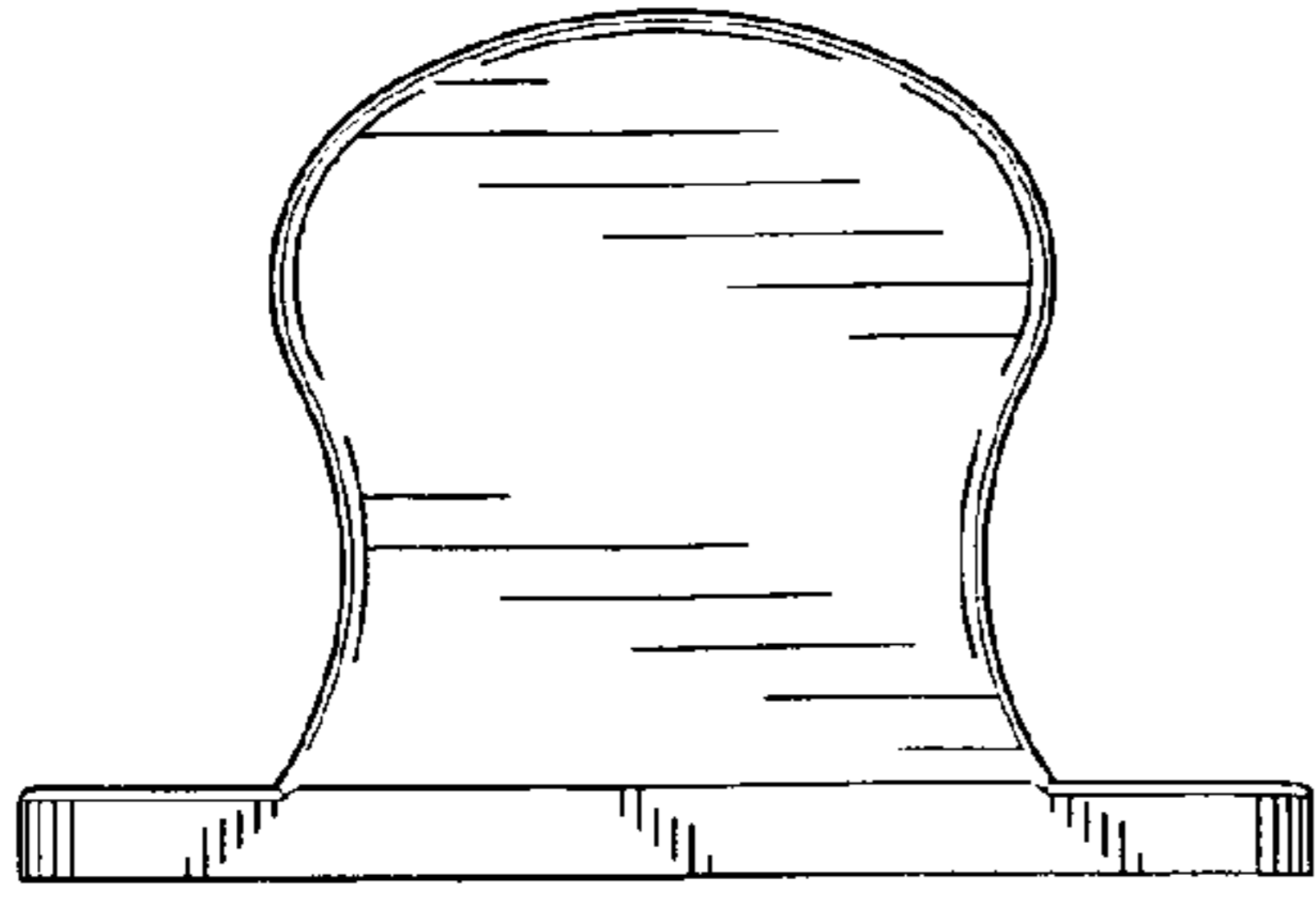


FIG. 6

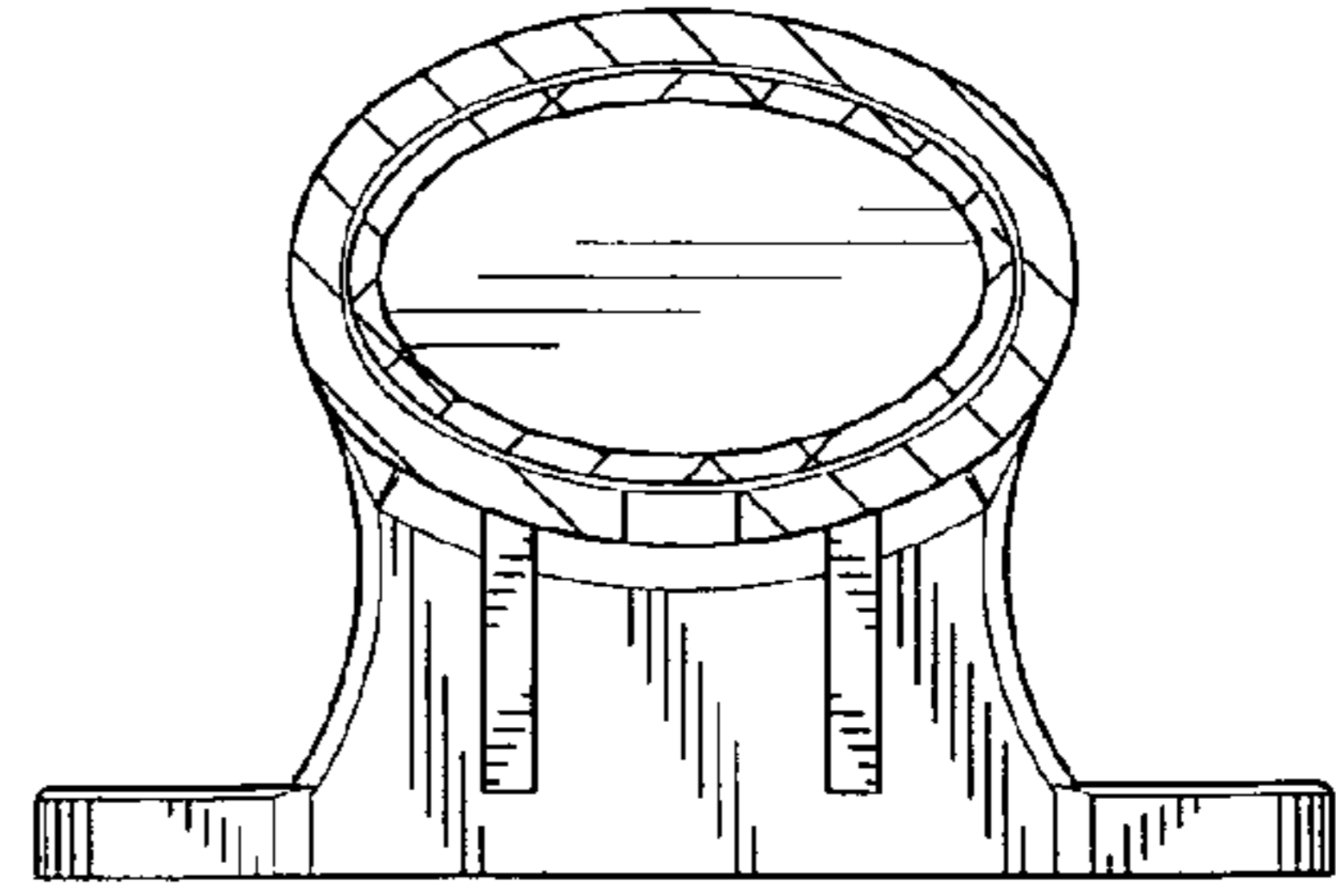


FIG. 7

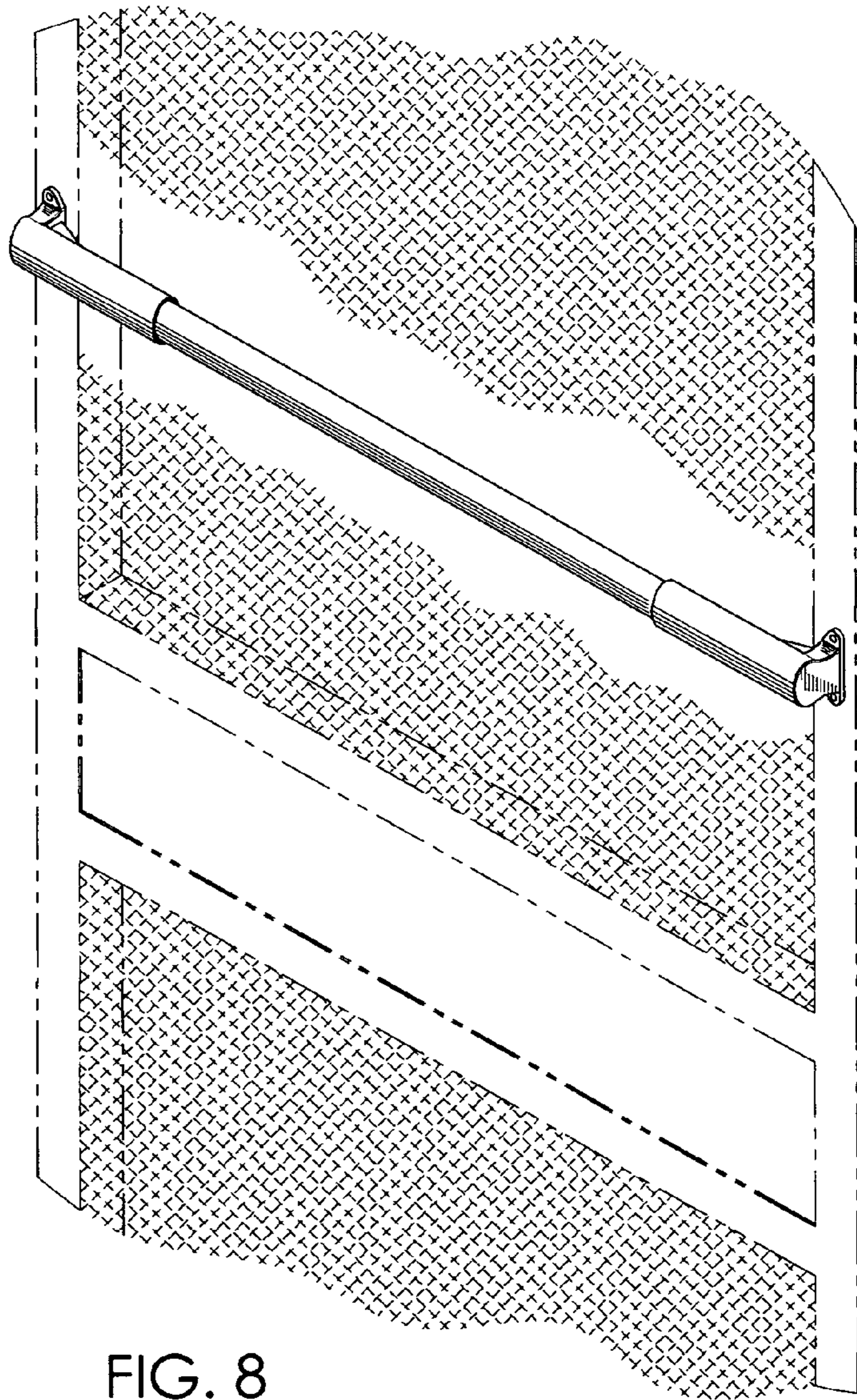


FIG. 8