



US00D589776S

(12) **United States Design Patent**  
**Camp**

(10) **Patent No.:** **US D589,776 S**

(45) **Date of Patent:** **\*\* Apr. 7, 2009**

(54) **KNOB**

(76) **Inventor:** **Frank Thomas Camp**, 8675 E. Laredo Dr., Prescott Valley, AZ (US) 86314

(\*\*) **Term:** **14 Years**

(21) **Appl. No.:** **29/320,761**

(22) **Filed:** **Jul. 2, 2008**

(51) **LOC (9) Cl.** ..... **08-06**

(52) **U.S. Cl.** ..... **D8/312; D8/310**

(58) **Field of Classification Search** ..... D8/300, D8/302, 305, 307, 310-312, DIG. 1, DIG. 2; D7/393, 394; D3/318; D23/250-254; 292/347, 292/336.3; 200/336, 341; 16/110.1, 412, 16/414-420, 443-446, 441, 118, 111 R, DIG. 19, 16/DIG. 20; D13/174

See application file for complete search history.

(56) **References Cited**

**U.S. PATENT DOCUMENTS**

D41,494 S *	6/1911	Seeley	.....	D8/312
D93,624 S *	10/1934	Kasch	.....	D8/312
D127,190 S *	5/1941	Jung	.....	D9/453
2,797,592 A *	7/1957	Marrapese	.....	74/548
D218,009 S *	7/1970	Bosack	.....	D8/312
D231,318 S *	4/1974	James	.....	D8/312
D262,773 S *	1/1982	Wansbrough et al.	.....	D8/312
D271,843 S *	12/1983	Ferdinand et al.	.....	D8/312
D291,053 S *	7/1987	Decursu	.....	D8/310
D324,411 S *	3/1992	Jolibois	.....	D23/250
D324,479 S *	3/1992	Tinz	.....	D8/310
D387,734 S *	12/1997	Hawkins et al.	.....	D13/158
D418,390 S *	1/2000	Marquis	.....	D8/322
D467,489 S *	12/2002	Rubinson	.....	D8/310
D472,947 S *	4/2003	Wu	.....	D21/694
D511,290 S *	11/2005	Coudurier	.....	D8/310
D520,859 S *	5/2006	Osiecki et al.	.....	D8/321
D541,619 S *	5/2007	Ricereto	.....	D8/307
D542,115 S *	5/2007	Hanna et al.	.....	D8/310

D542,116 S *	5/2007	Ricereto et al.	.....	D8/310
D543,828 S *	6/2007	Strutin-Belinoff et al.	....	D8/310
D563,758 S *	3/2008	Oliver	.....	D8/310

**OTHER PUBLICATIONS**

U.S. Trademark Registration No. 1,417,233 Registered on Nov. 18, 1986 for Electronic Controllers for Hydraulic Valves in Class 9—OEM Controls, Inc. (Connecticut Corporation), Shelton Connecticut.

\* cited by examiner

*Primary Examiner*—Stella M Reid

*Assistant Examiner*—Mark A Goodwin

(74) *Attorney, Agent, or Firm*—Foley & Lardner LLP

(57) **CLAIM**

We claim the ornamental design for a knob, as shown and described.

**DESCRIPTION**

FIG. 1 is a top view of the knob according to the claimed design;

FIG. 2 is a bottom view the knob according to the claimed design;

FIG. 3 is a left side view of the knob according to the claimed design;

FIG. 4 is a right side view of the knob according to the claimed design;

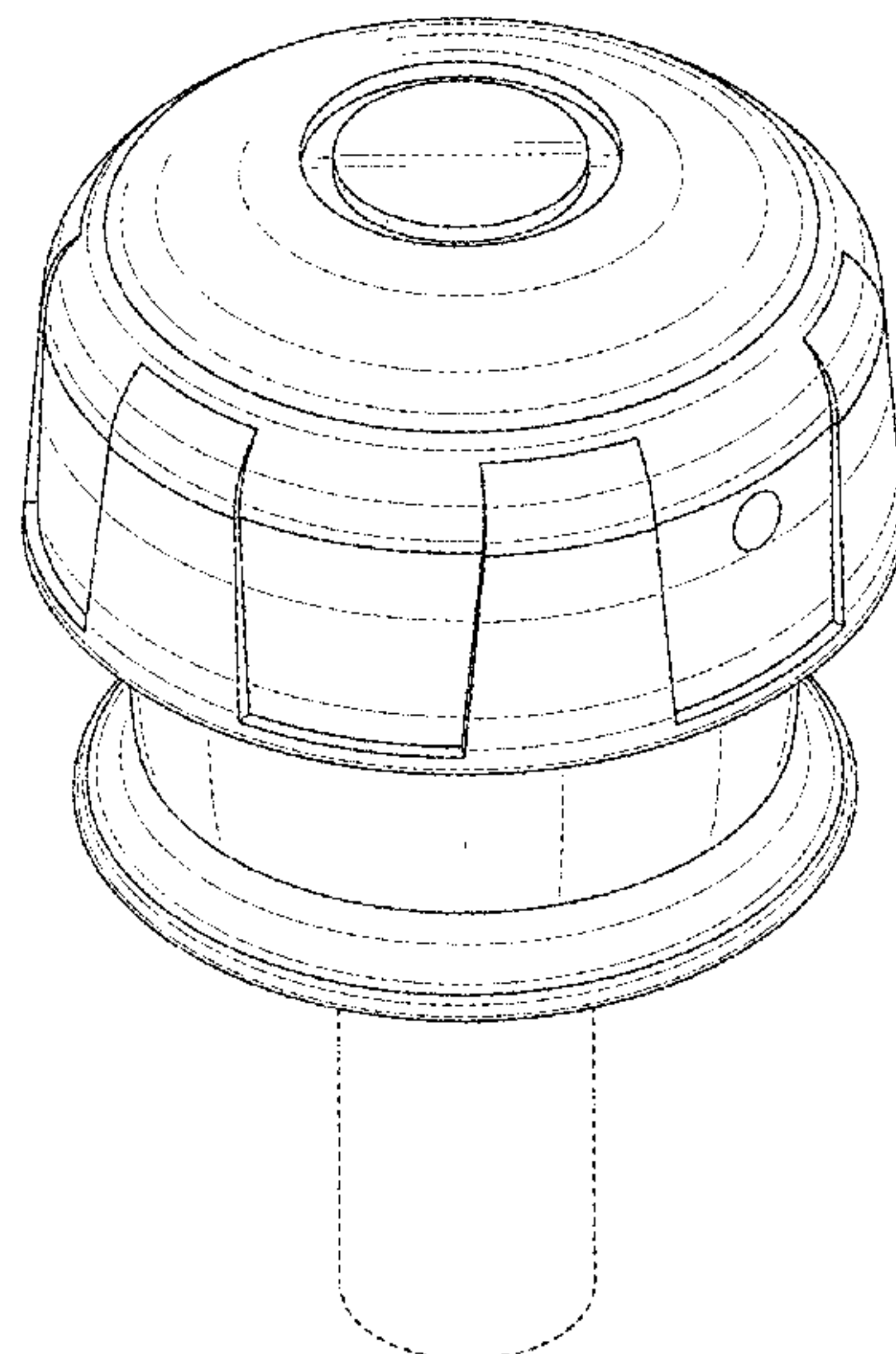
FIG. 5 is a front side view of the knob according to the claimed design;

FIG. 6 is a rear side view of the knob according to the claimed design; and,

FIG. 7 is a top perspective view of the knob according to the claimed design.

The broken lines in the drawings are for illustrative purposes only and form no part of the claimed design.

**1 Claim, 7 Drawing Sheets**



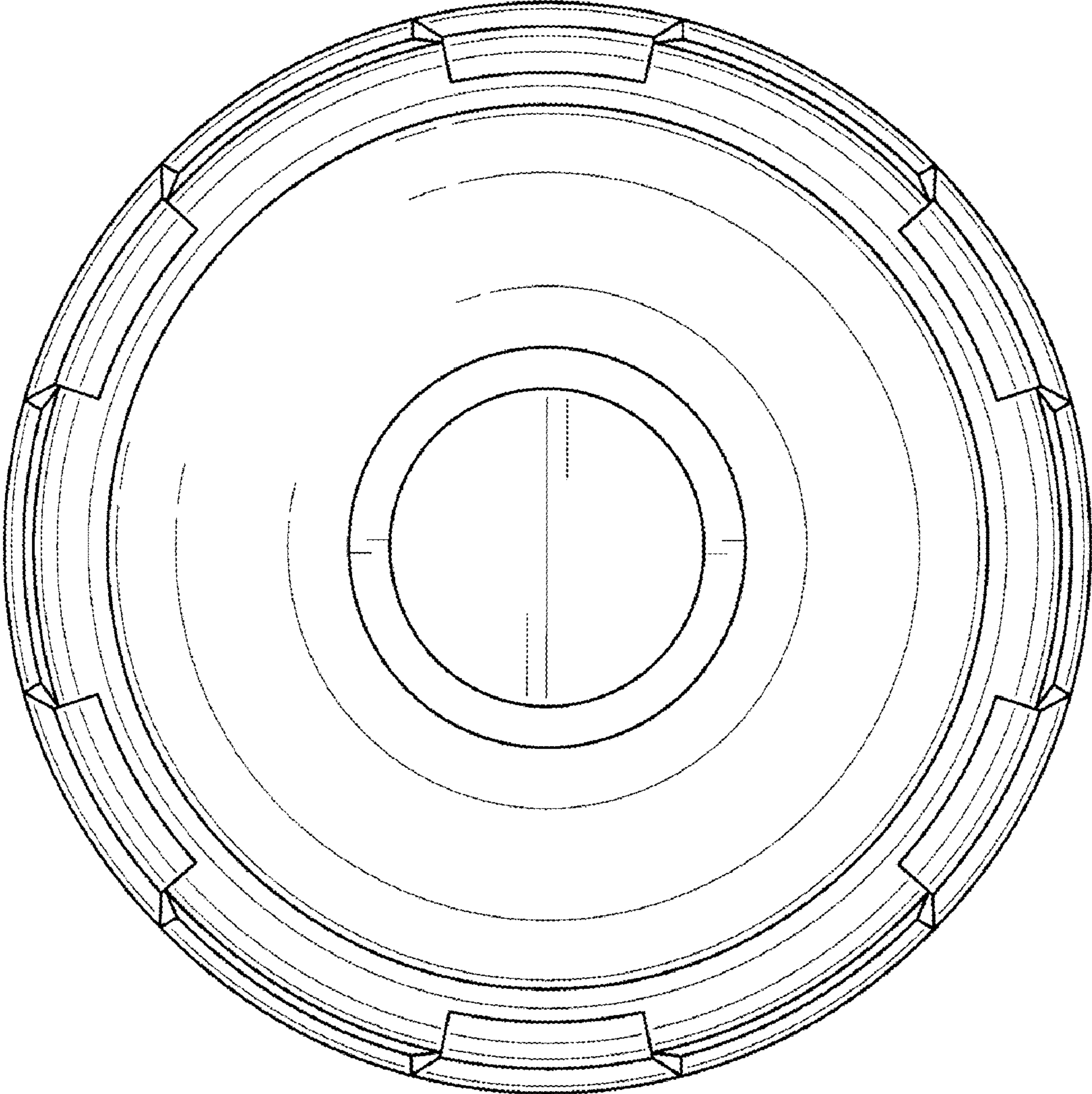


FIG. 1

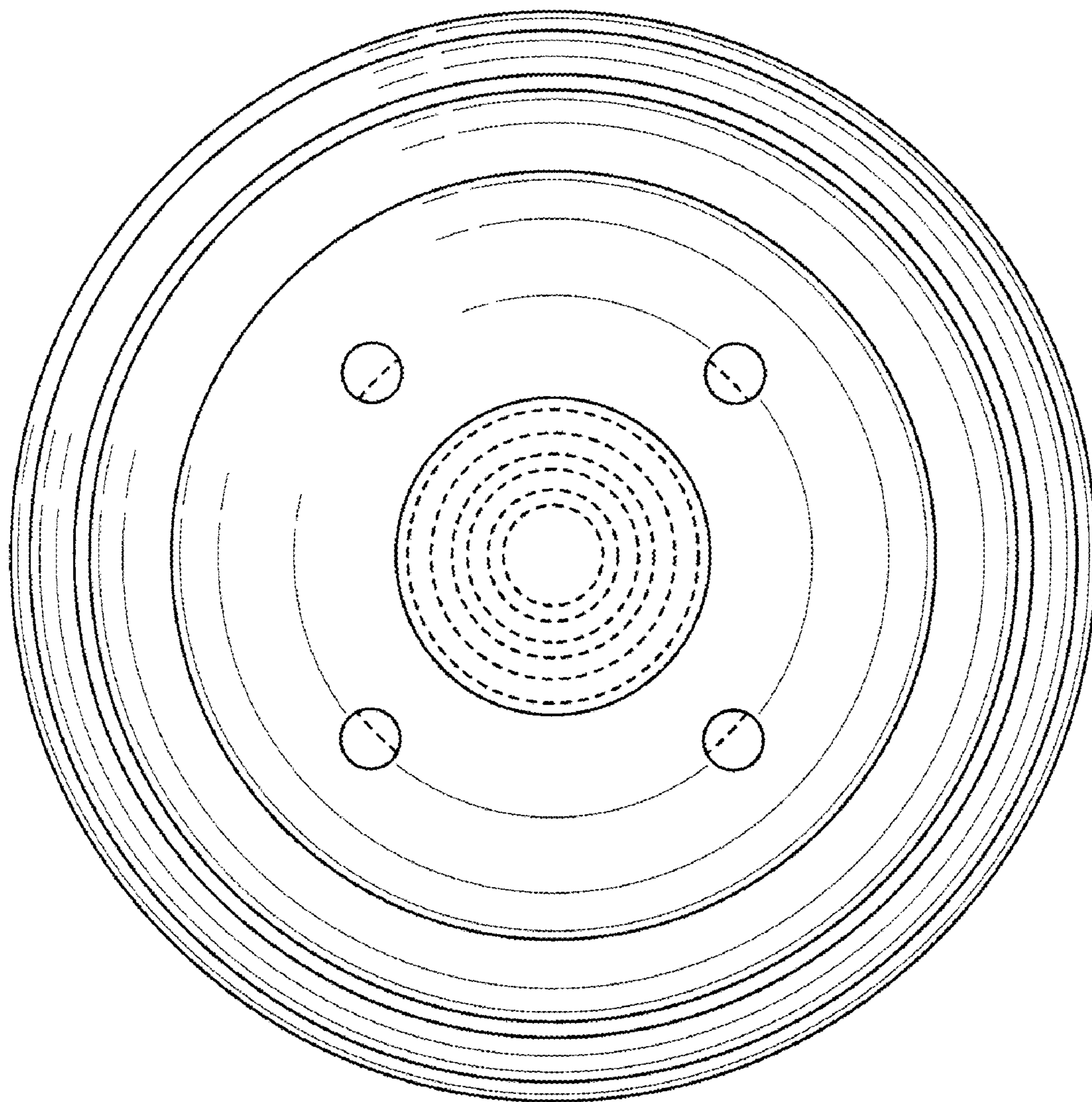


FIG. 2



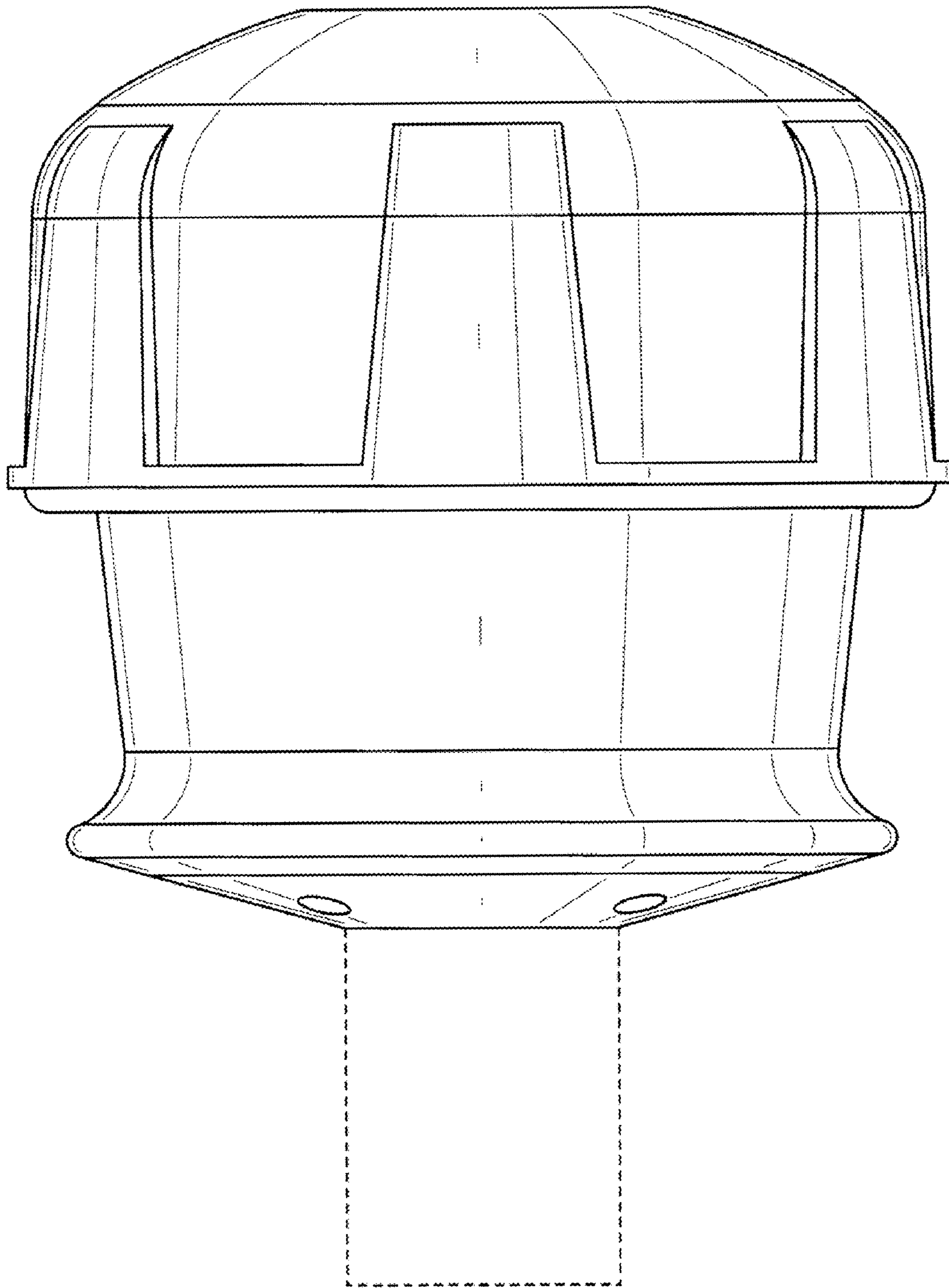


FIG. 3

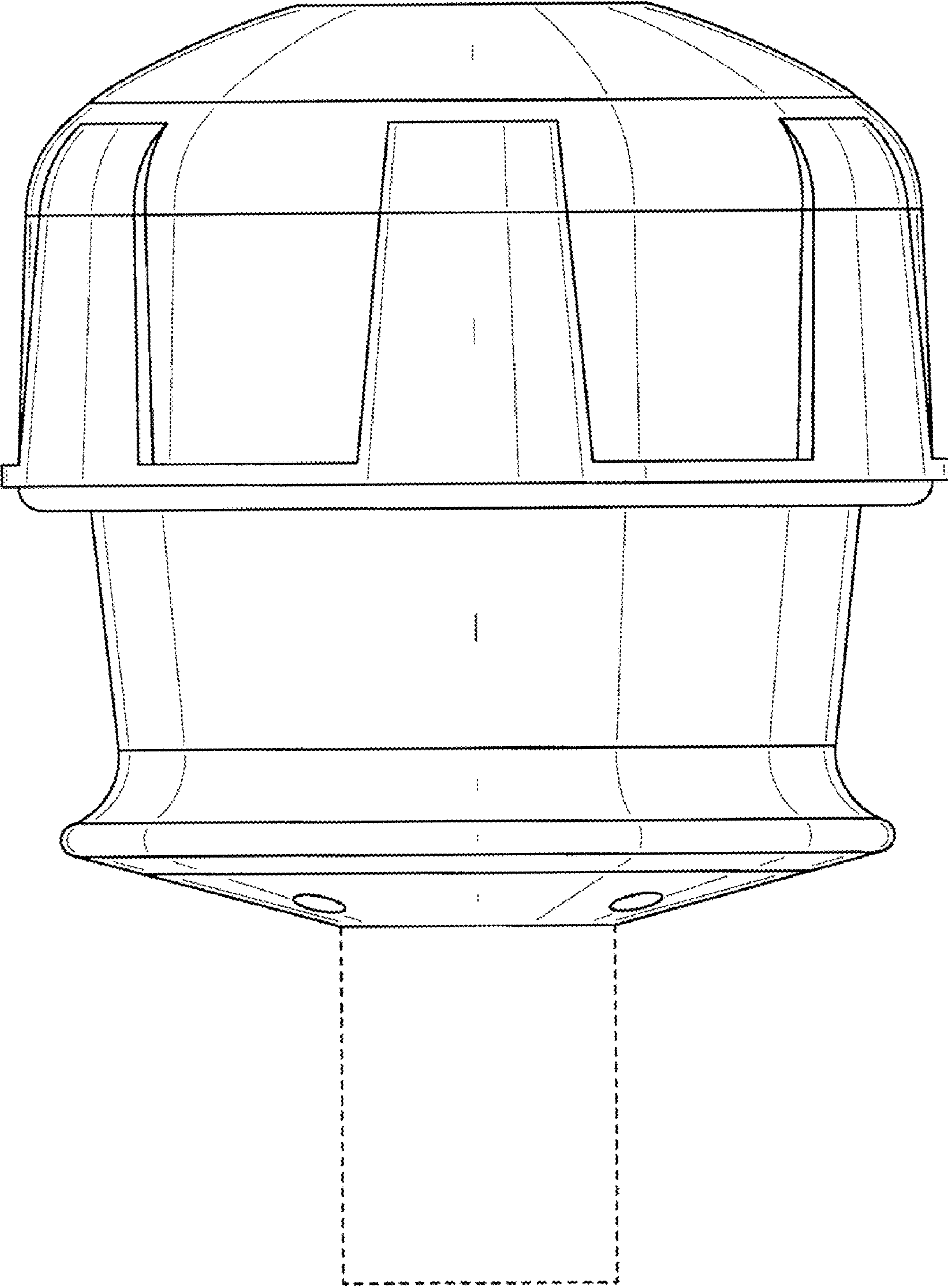


FIG. 4

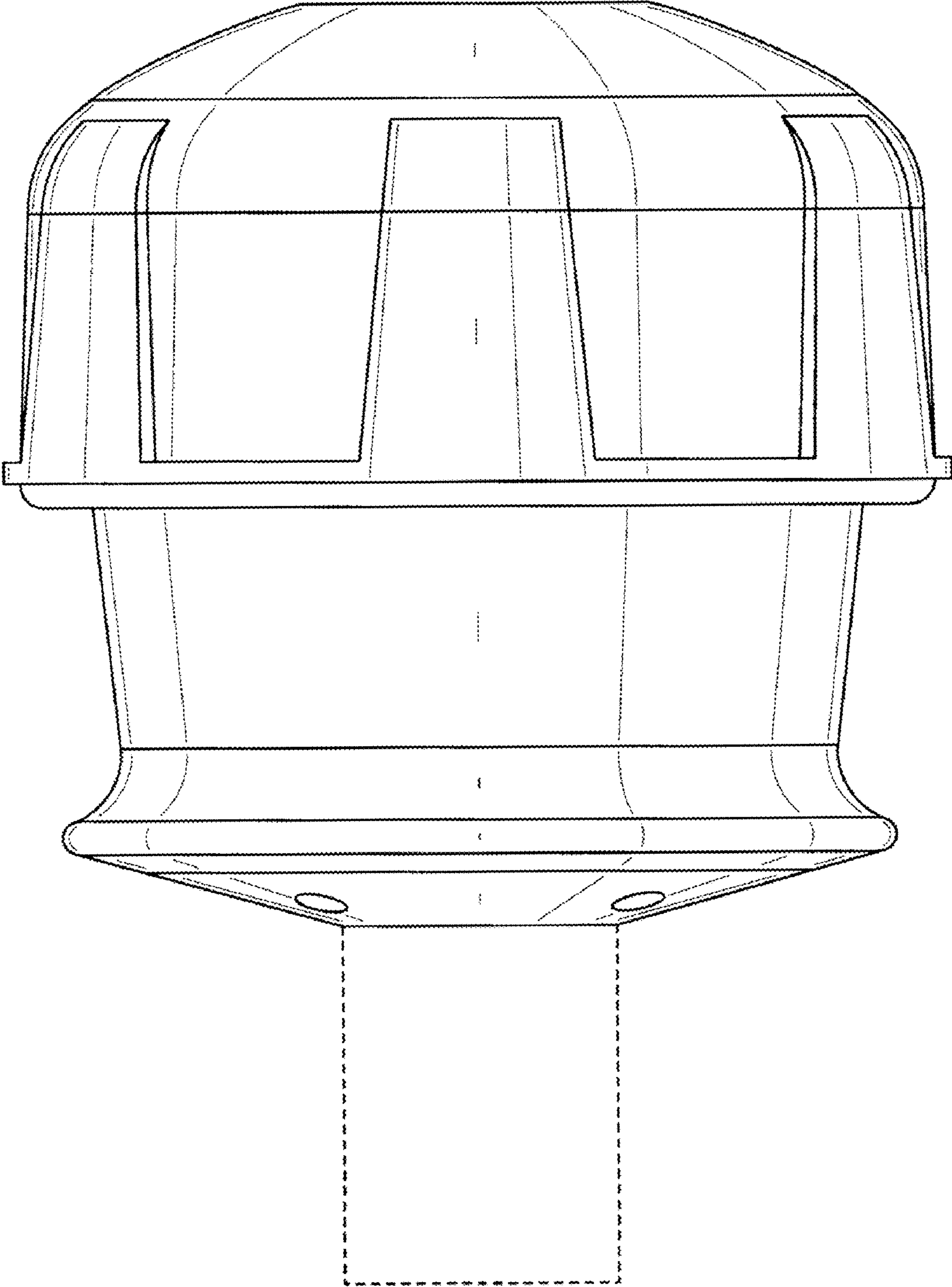


FIG. 5

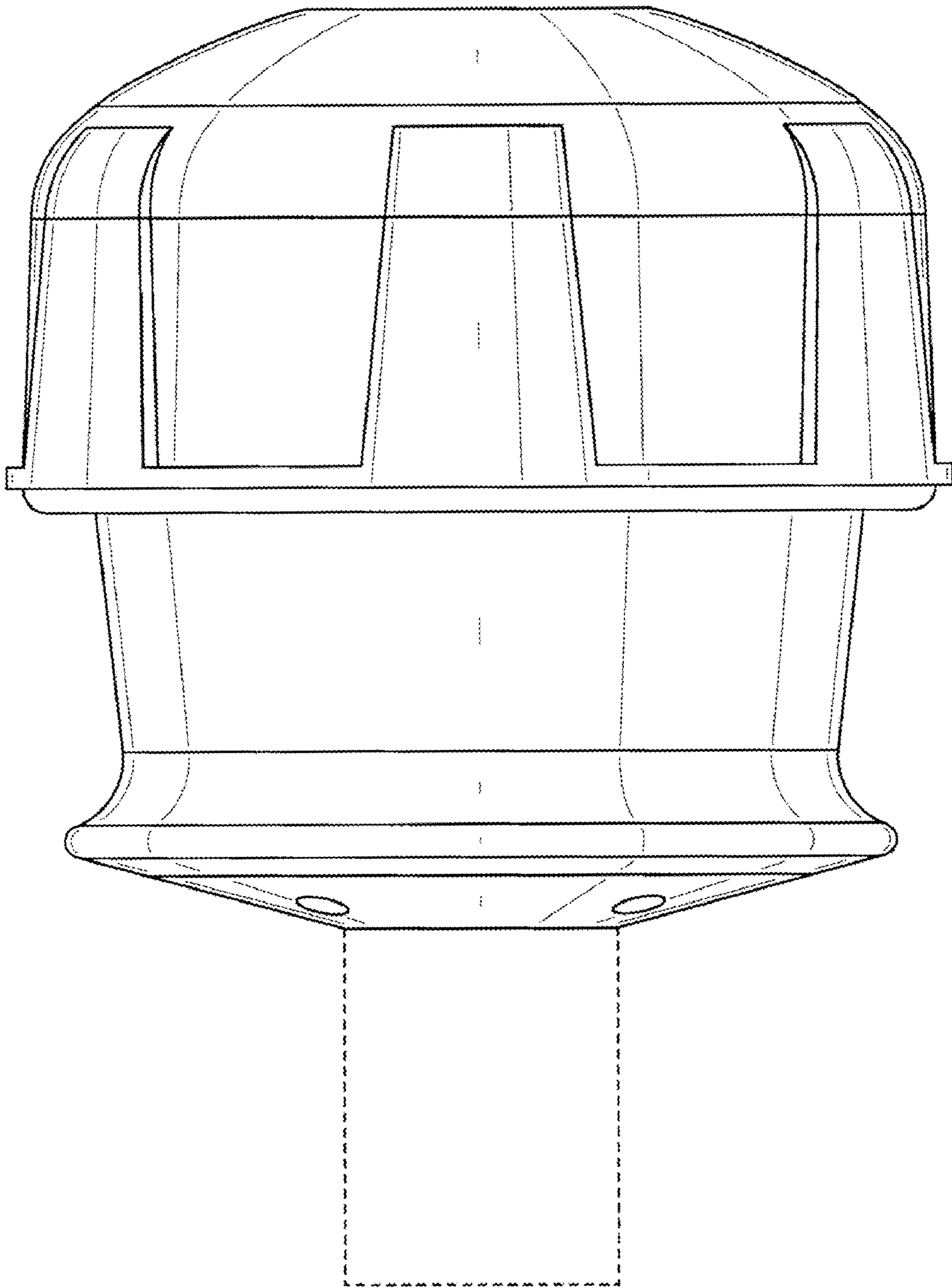


FIG. 6



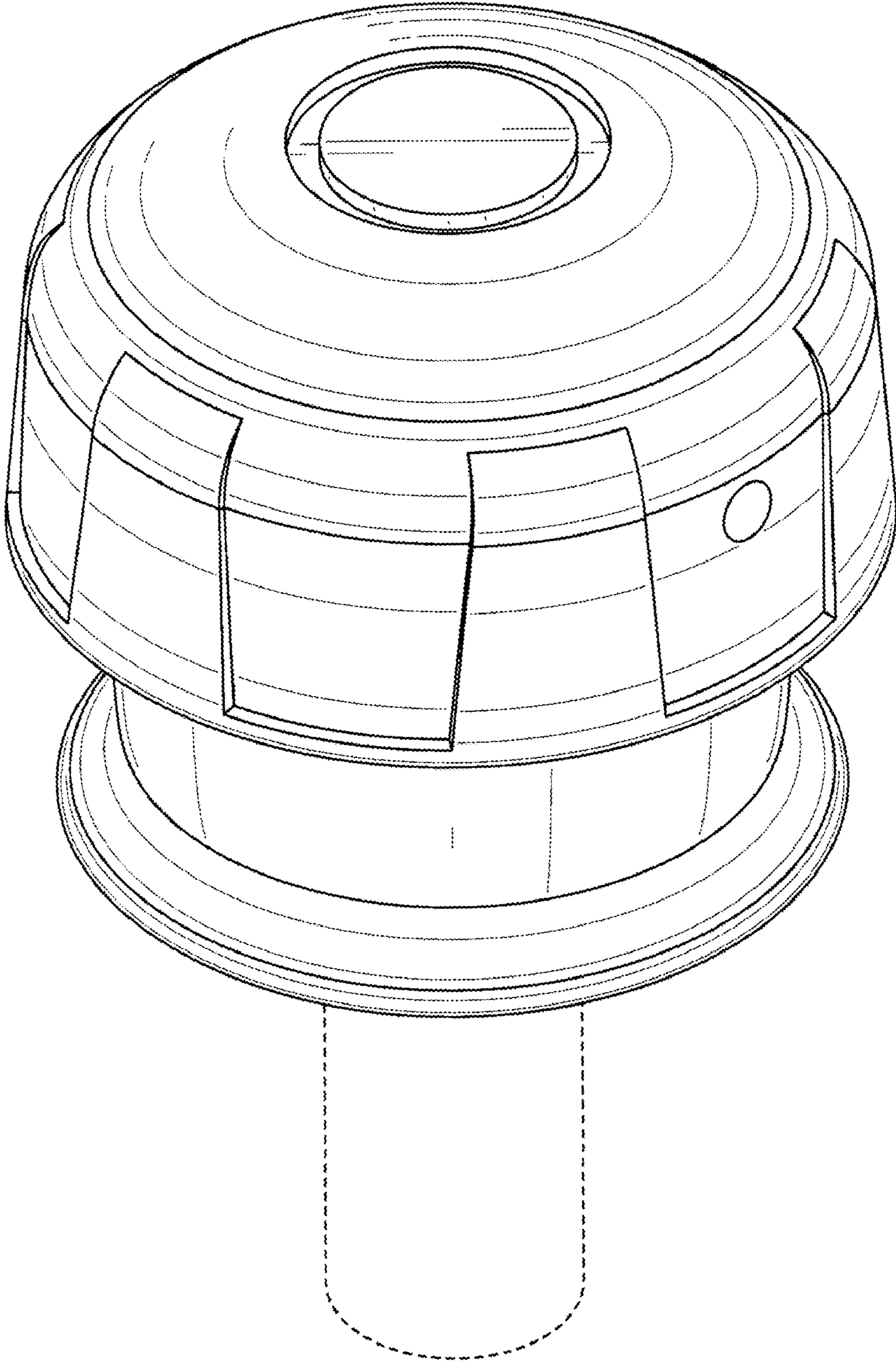


FIG. 7