



US00D589771S

(12) **United States Design Patent**
Lee

(10) **Patent No.:** **US D589,771 S**
(45) **Date of Patent:** **** Apr. 7, 2009**

(54) **POWDER-ACTUATED TOOL**

D551,044 S * 9/2007 Mochida et al. D8/61
7,287,679 B2 * 10/2007 Gaudron 227/10

(76) Inventor: **Chung-Heng Lee**, 5F., No. 57, Lane
700, Jhongzheng Rd., Sindian City,
Taipei County 231 (TW)

* cited by examiner

(**) Term: **14 Years**

Primary Examiner—Antoine D Davis
(74) *Attorney, Agent, or Firm*—Shook, Hardy & Bacon,
L.L.P.

(21) Appl. No.: **29/306,208**

(57) **CLAIM**

(22) Filed: **Apr. 4, 2008**

The ornamental design for powder-actuated tool, as shown
and described.

(51) **LOC (9) Cl.** **08-05**

(52) **U.S. Cl.** **D8/61**

(58) **Field of Classification Search** D8/61,
D8/68; 227/8-11, 130, 156; 173/162.1,
173/162.2, 170, 171, 210

DESCRIPTION

See application file for complete search history.

FIG. 1 is a perspective view of powder-actuated tool showing
my new design;

(56) **References Cited**

U.S. PATENT DOCUMENTS

- 5,996,875 A * 12/1999 Clark et al. 227/10
- 6,123,242 A * 9/2000 Kersten 227/10
- 6,364,190 B1 * 4/2002 Tor 227/10
- D491,031 S * 6/2004 Davis et al. D8/61
- D502,071 S * 2/2005 Snider D8/61
- 7,201,302 B2 * 4/2007 Panasik et al. 227/10

FIG. 2 is a front elevational view thereof;

FIG. 3 is a rear elevational view thereof;

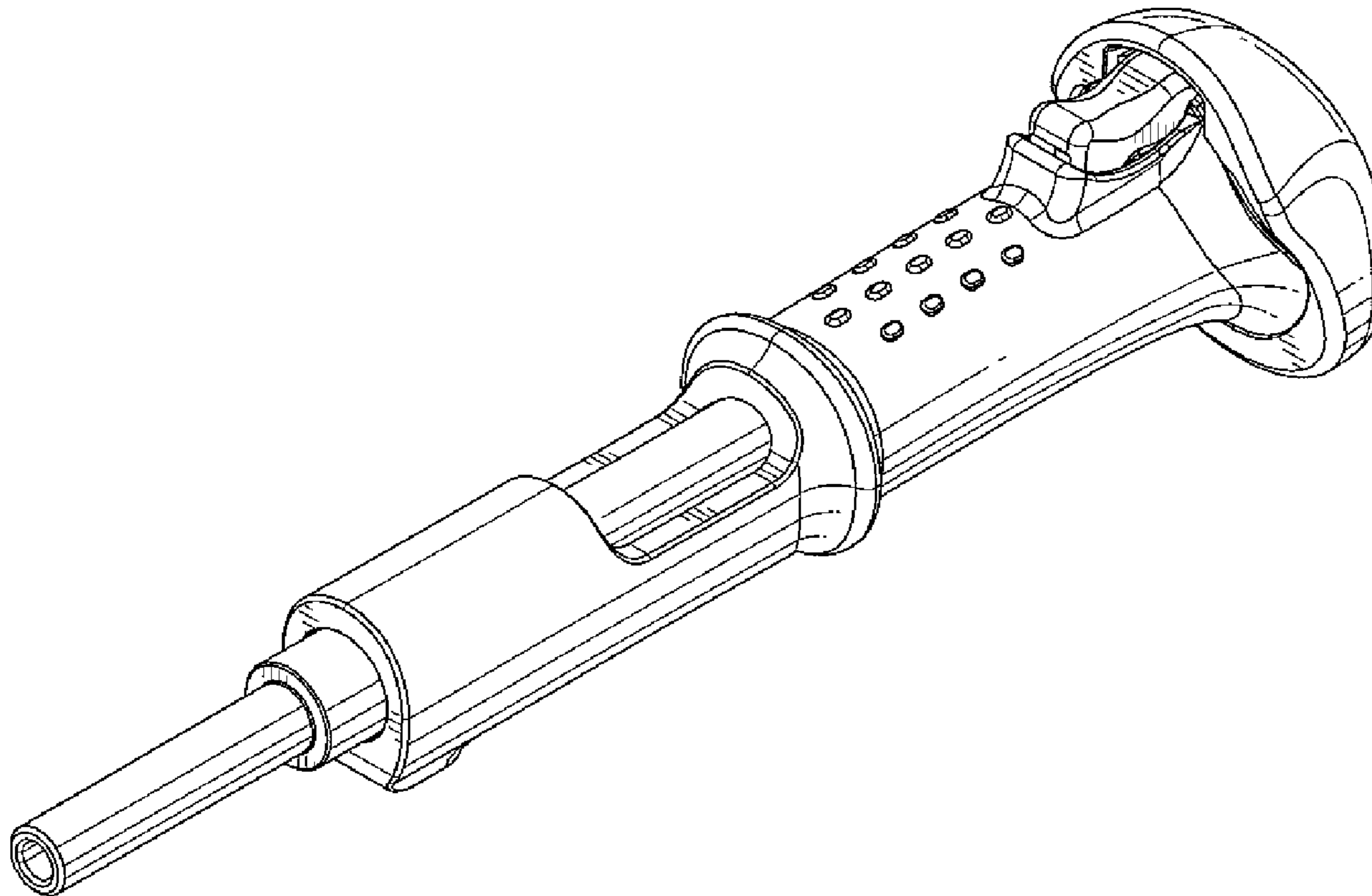
FIG. 4 is a left side elevational view thereof;

FIG. 5 is a right side elevational view thereof;

FIG. 6 is a top plan view thereof; and,

FIG. 7 is a bottom plan view thereof.

1 Claim, 4 Drawing Sheets



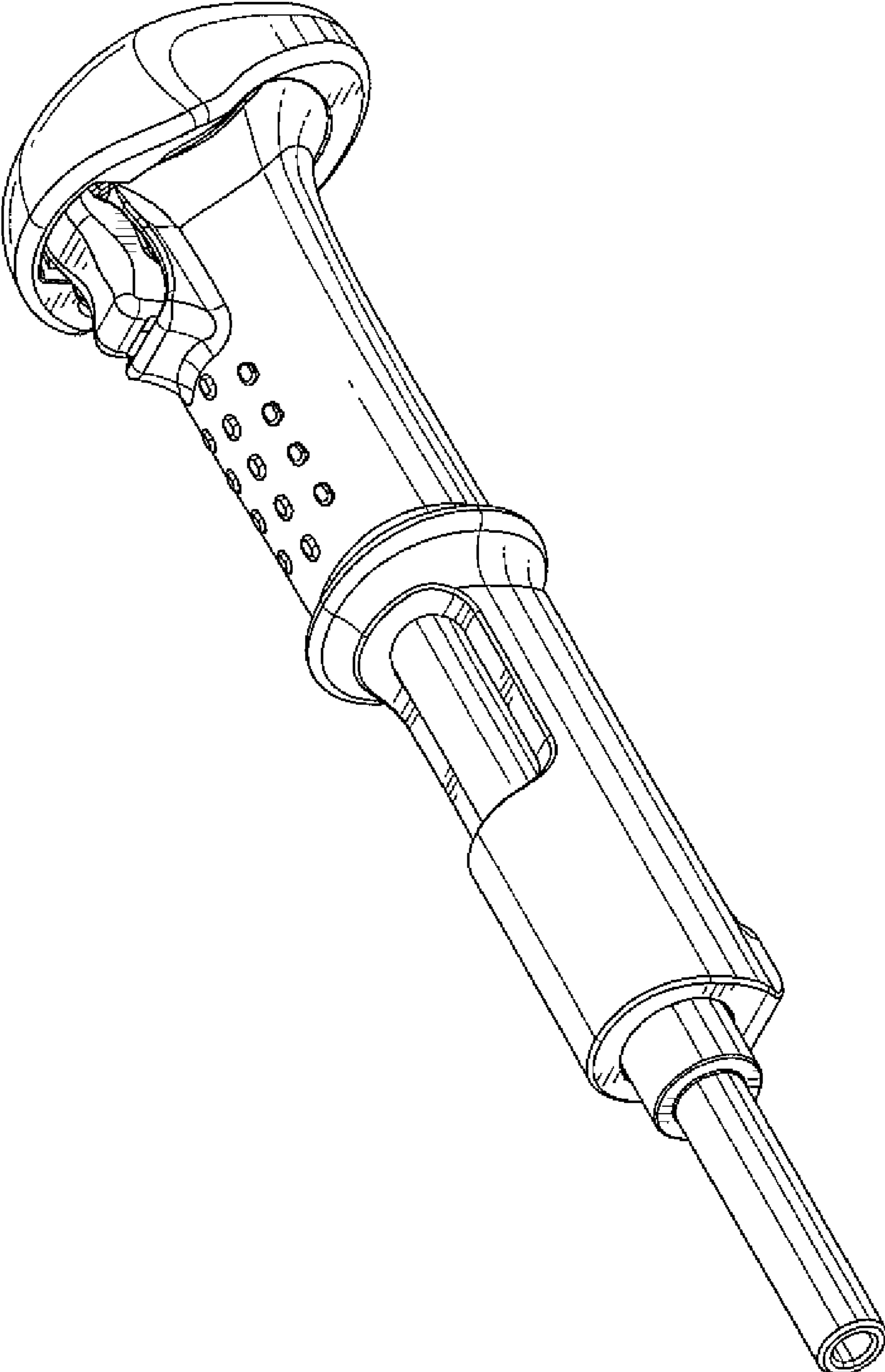


FIG. 1

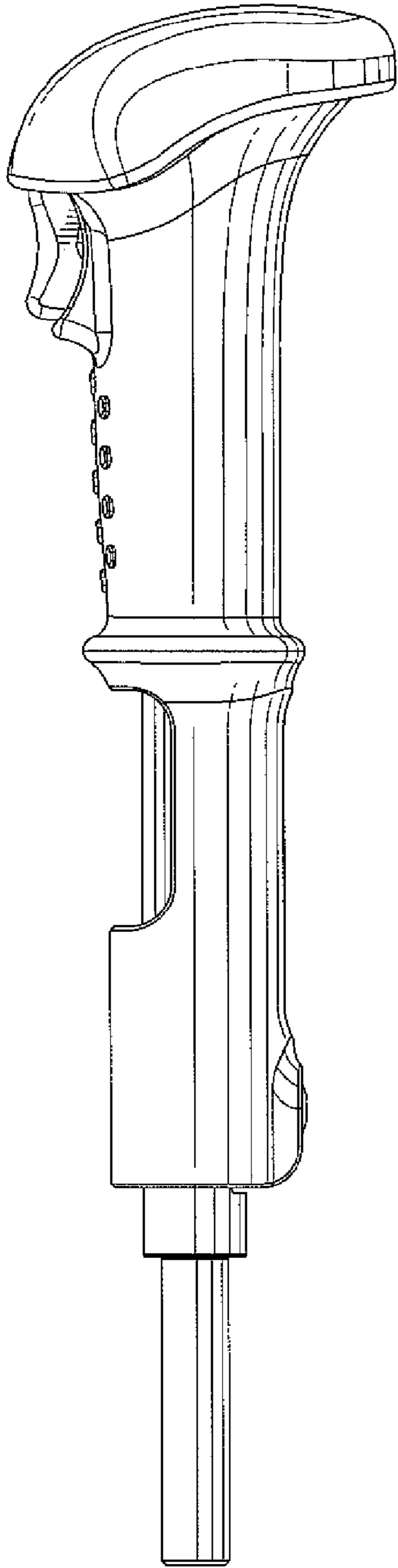


FIG. 2

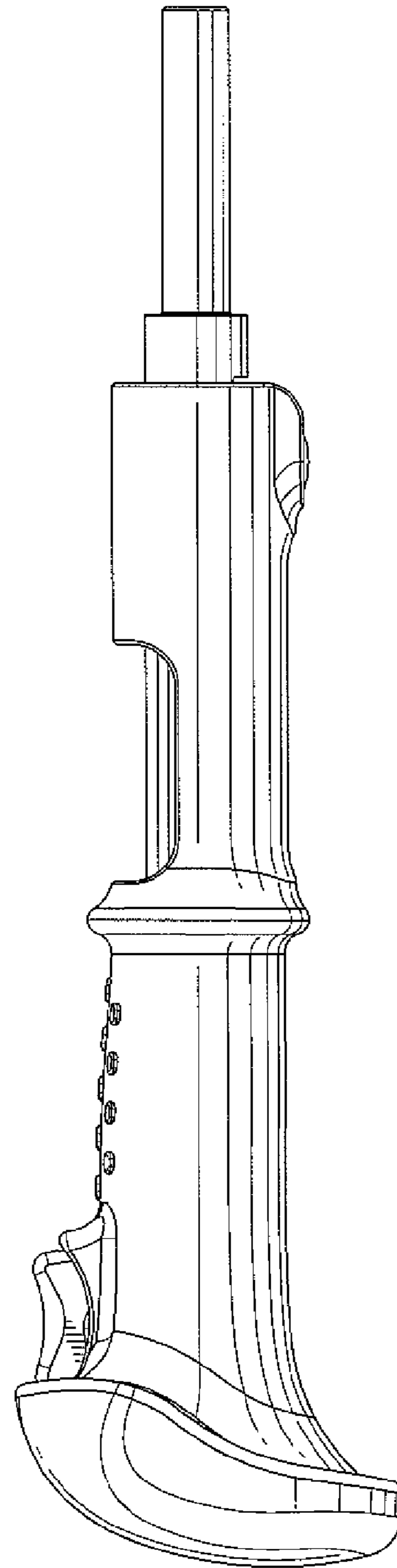


FIG. 3

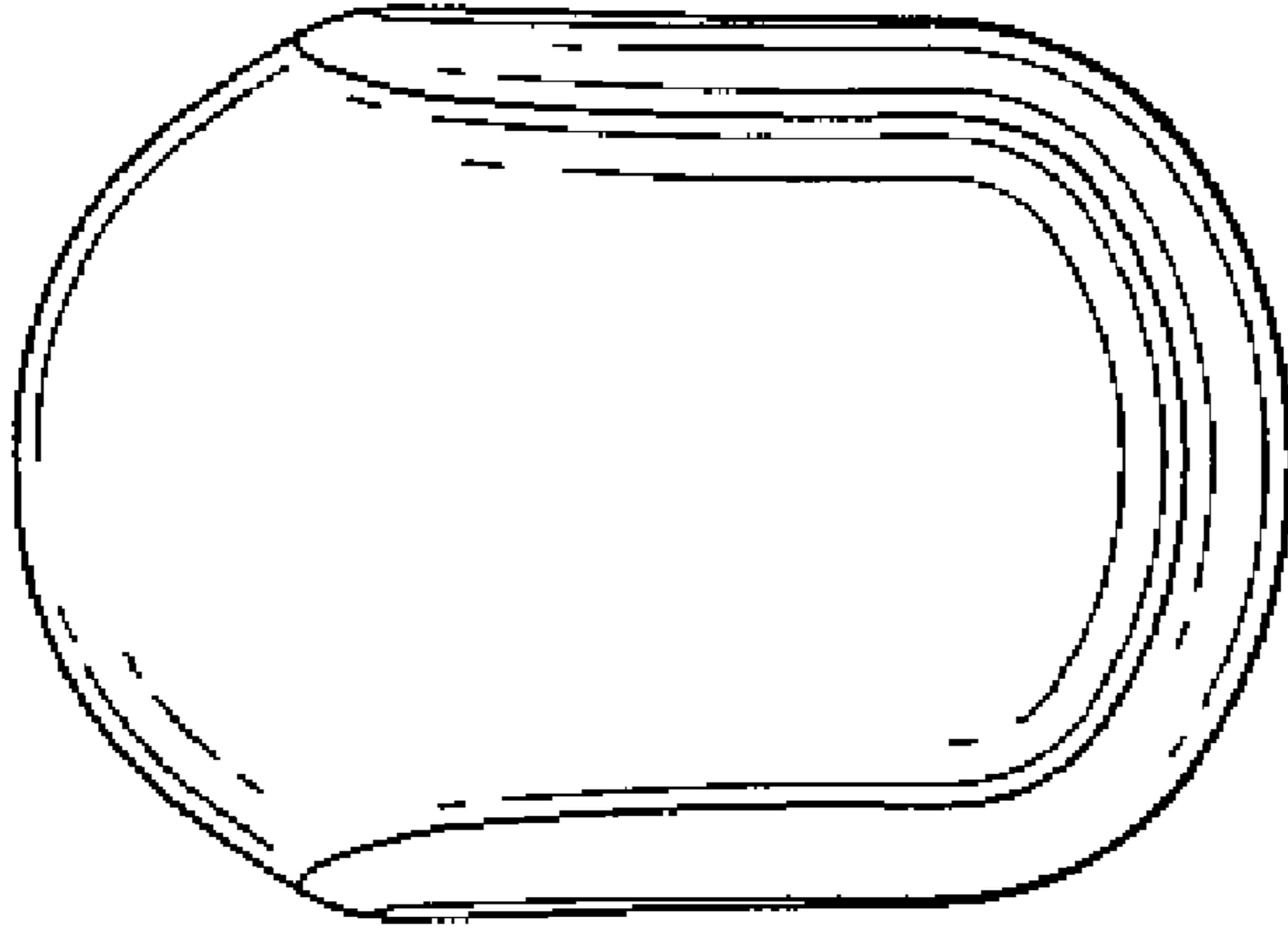


FIG. 5

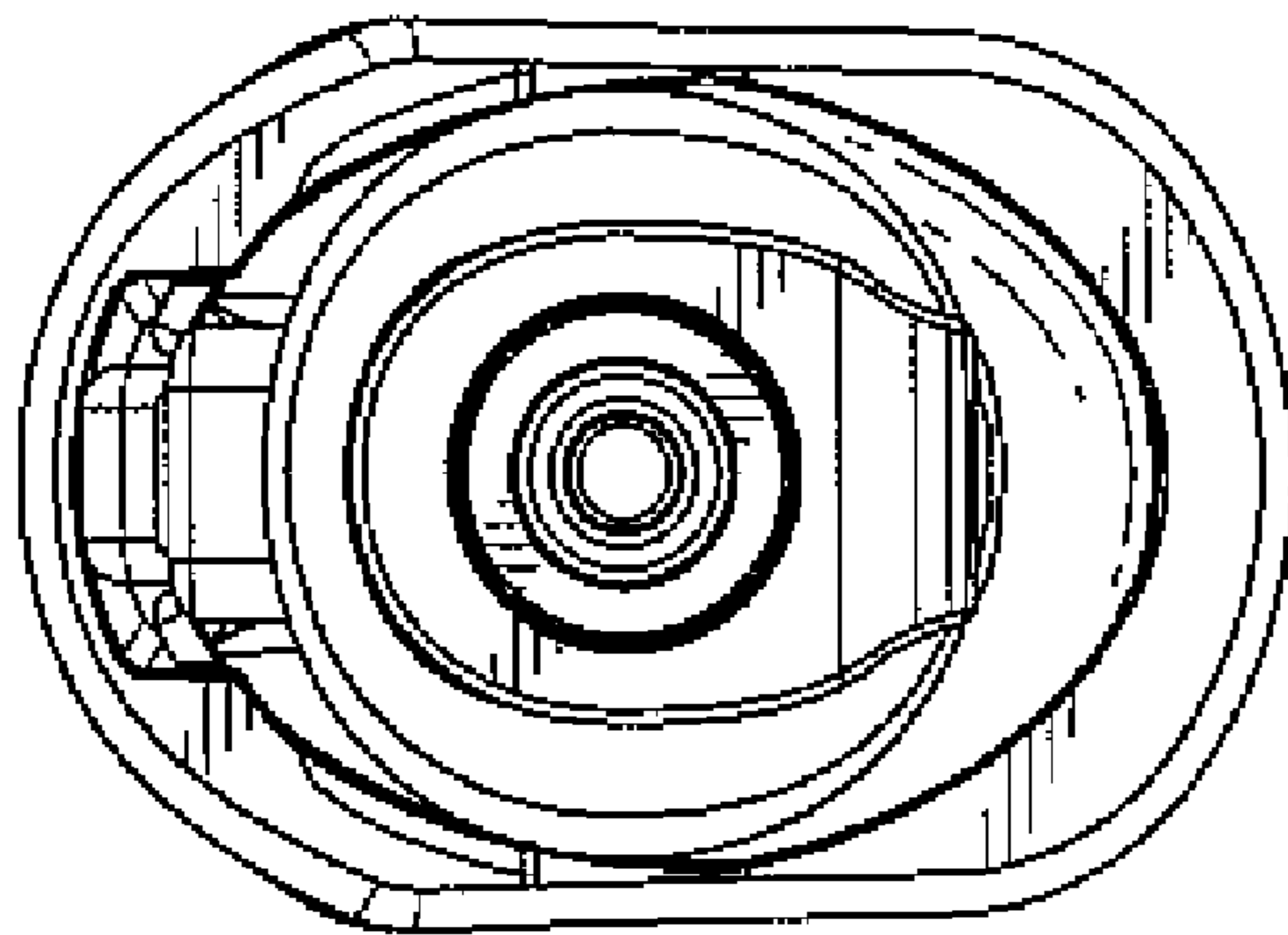


FIG. 4

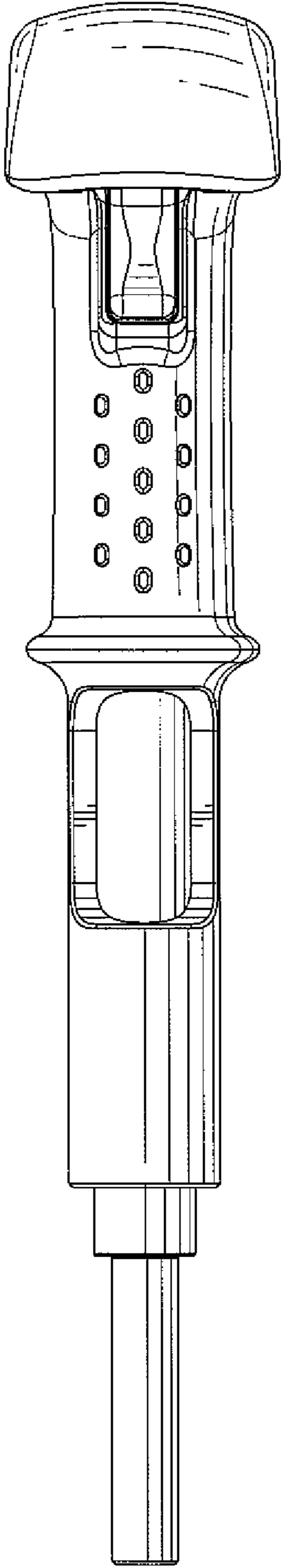


FIG. 6

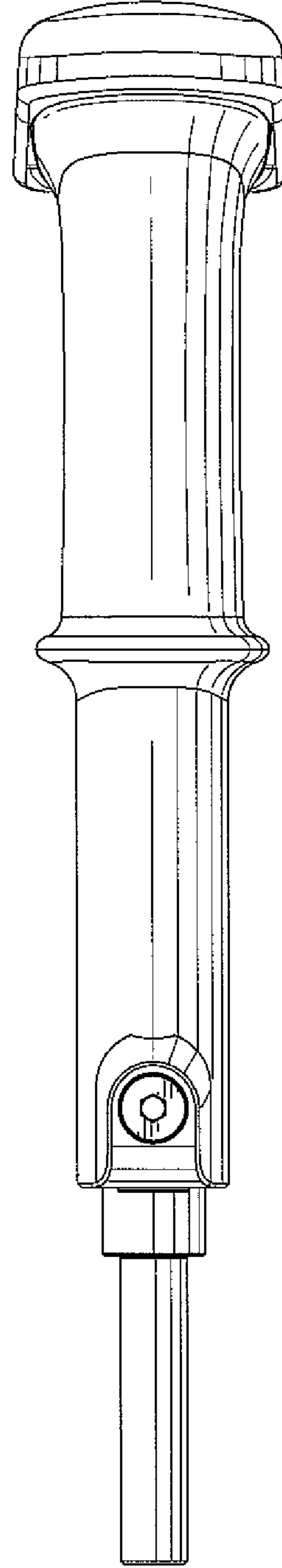


FIG. 7