



US00D589768S

(12) **United States Design Patent**
Henderson

(10) **Patent No.:** **US D589,768 S**

(45) **Date of Patent:** **** Apr. 7, 2009**

(54) **RAKE HEAD**

(75) Inventor: **Scott Henderson**, Brooklyn, NY (US)

(73) Assignee: **Casabella Holdings, LLC**, Blauvelt, NY (US)

(**) Term: **14 Years**

(21) Appl. No.: **29/300,281**

(22) Filed: **Mar. 7, 2008**

(51) **LOC (9) Cl.** **08-01**

(52) **U.S. Cl.** **D8/13**

(58) **Field of Classification Search** D8/13;
294/49; 56/400.01, 400.21

See application file for complete search history.

(56) **References Cited**

U.S. PATENT DOCUMENTS

D402,173 S *	12/1998	Woodley	D8/13
D505,304 S *	5/2005	Conaway et al.	D8/13
D514,902 S *	2/2006	Conaway et al.	D8/13
D577,967 S *	10/2008	Norton et al.	D8/13
D579,289 S *	10/2008	Norton et al.	D8/13

* cited by examiner

Primary Examiner—Holly H Baynham

Assistant Examiner—Sheryl Lane

(74) *Attorney, Agent, or Firm*—Curtis, Mallet-Prevost, Colt & Mosle LLP

(57) **CLAIM**

The ornamental design for a rake head, as shown and described.

DESCRIPTION

FIG. 1 is a perspective view of an embodiment of the rake head of the claimed design;

FIG. 2 is a front elevational view of the rake head of FIG. 1;

FIG. 3 is a rear elevational view of the rake head of FIG. 1;

FIG. 4 is a right side elevational view of the rake head of FIG. 1;

FIG. 5 is a left side elevational view of the rake head of FIG. 1;

FIG. 6 is a top plan view of the rake head of FIG. 1;

FIG. 7 is a bottom plan view of the rake head of FIG. 1;

FIG. 8 is a perspective view of another embodiment of the rake head of the claimed design;

FIG. 9 is a front elevational view of the rake head of FIG. 8;

FIG. 10 is a rear elevational view of the rake head of FIG. 8;

FIG. 11 is a right side elevational view of the rake head of FIG. 8;

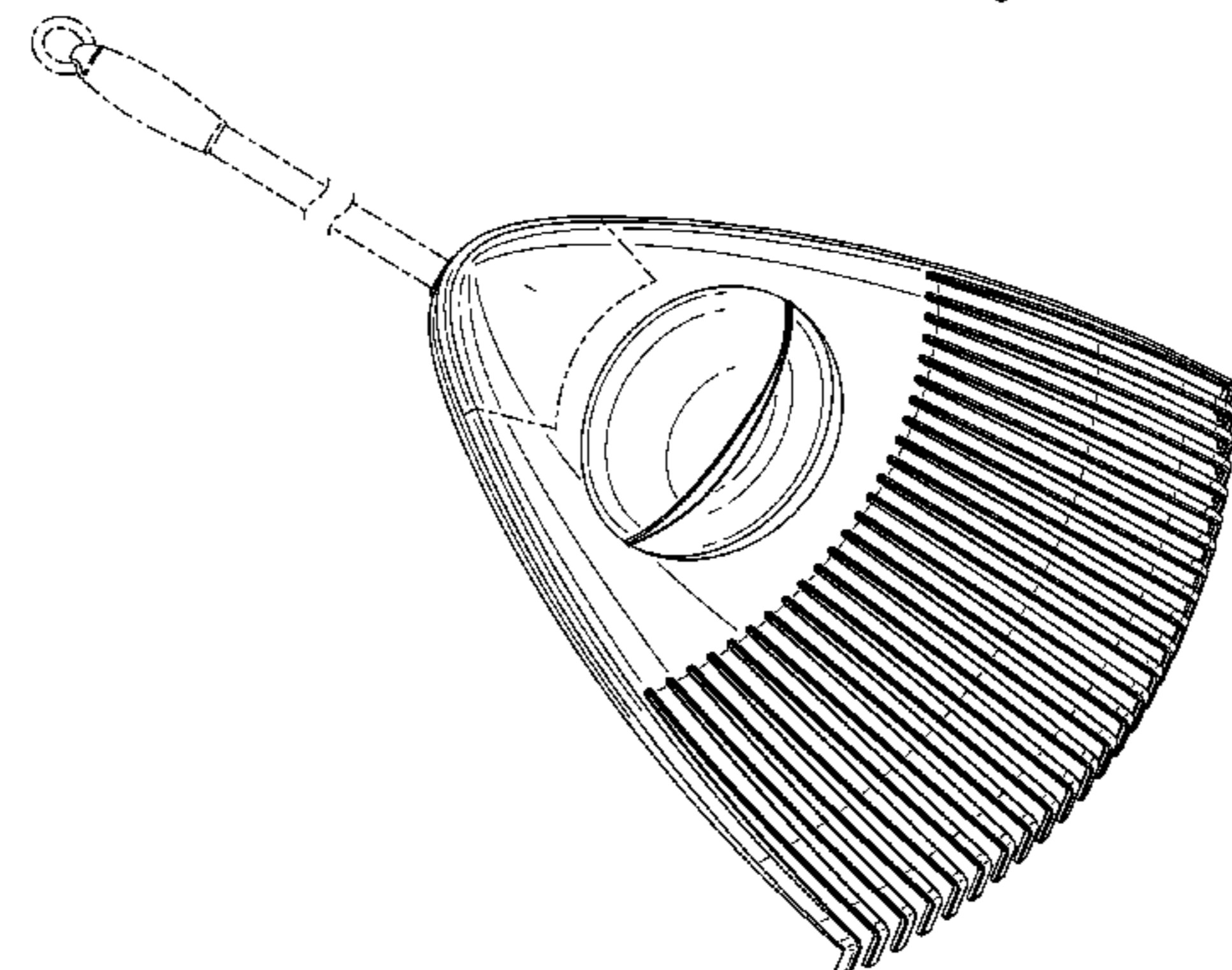
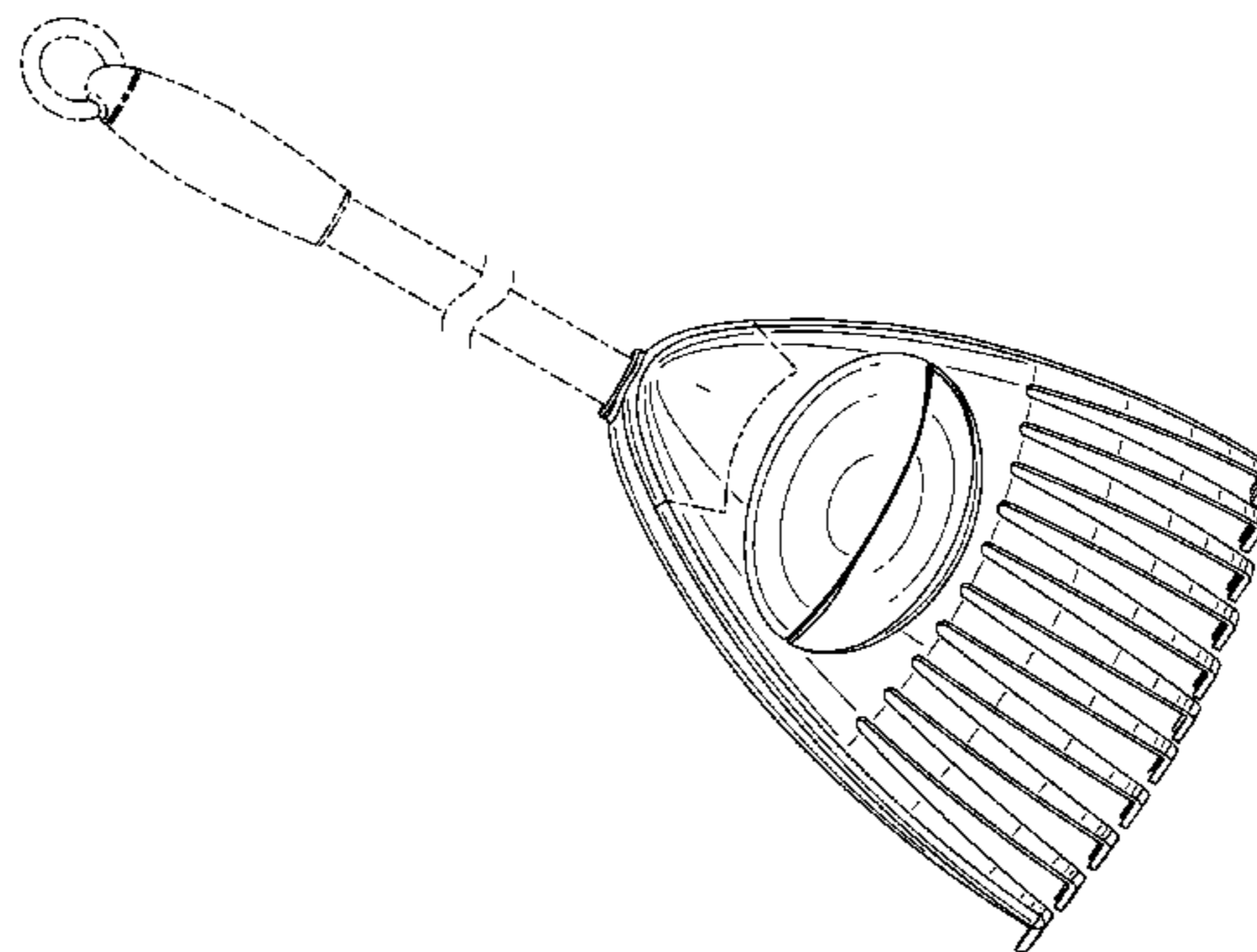
FIG. 12 is a left side elevational view of the rake head of FIG. 8;

FIG. 13 is a top plan view of the rake head of FIG. 8; and,

FIG. 14 is a bottom plan view of the rake head of FIG. 8.

The features shown in broken lines are environment only and not part of the claimed design.

1 Claim, 10 Drawing Sheets



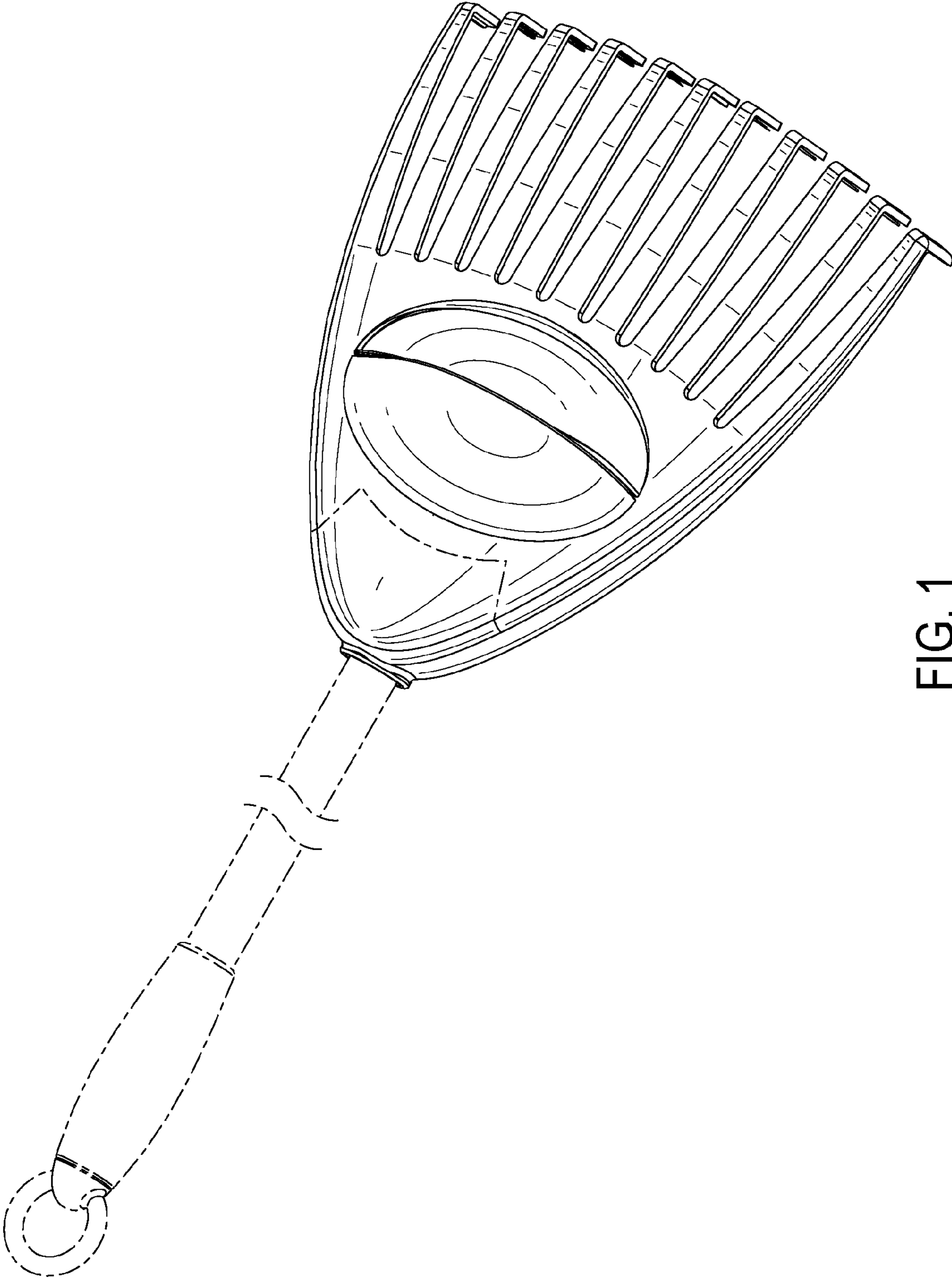


FIG. 1

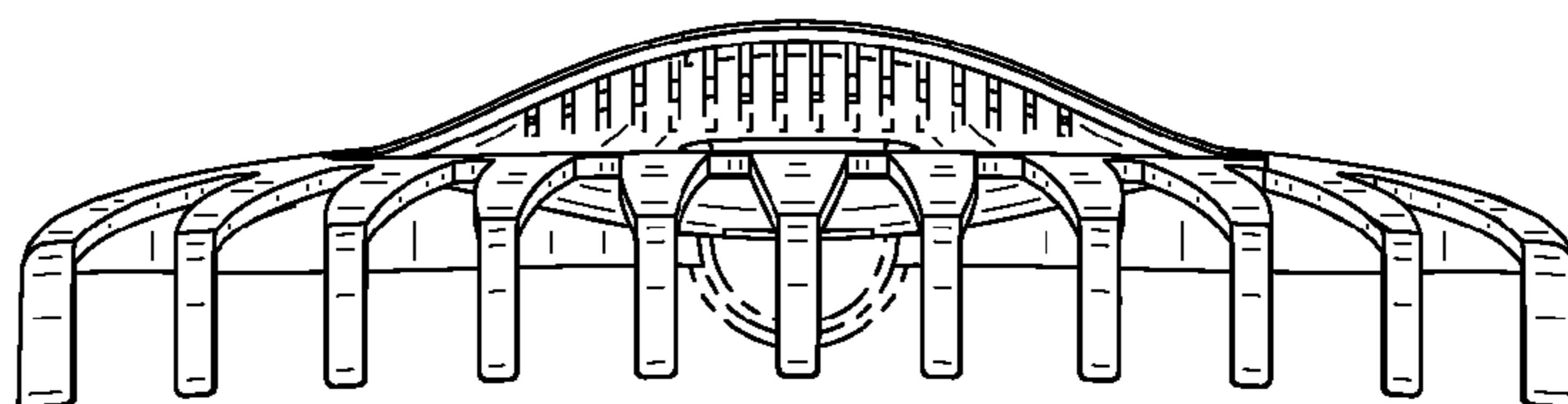


FIG. 2

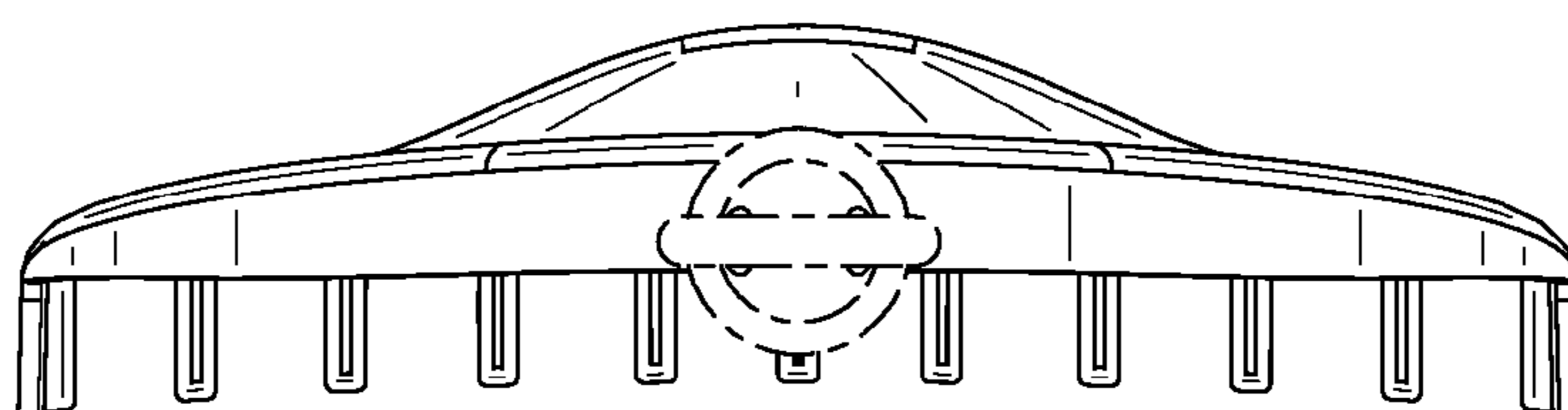


FIG. 3

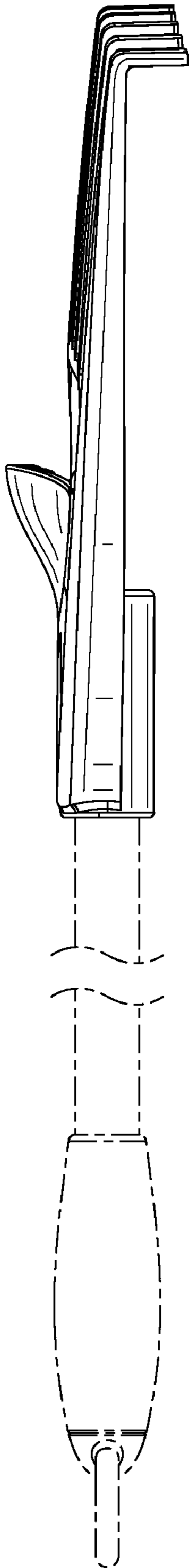


FIG. 4

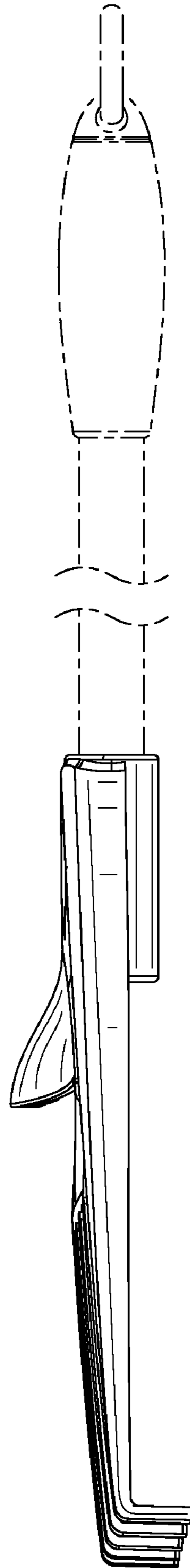


FIG. 5

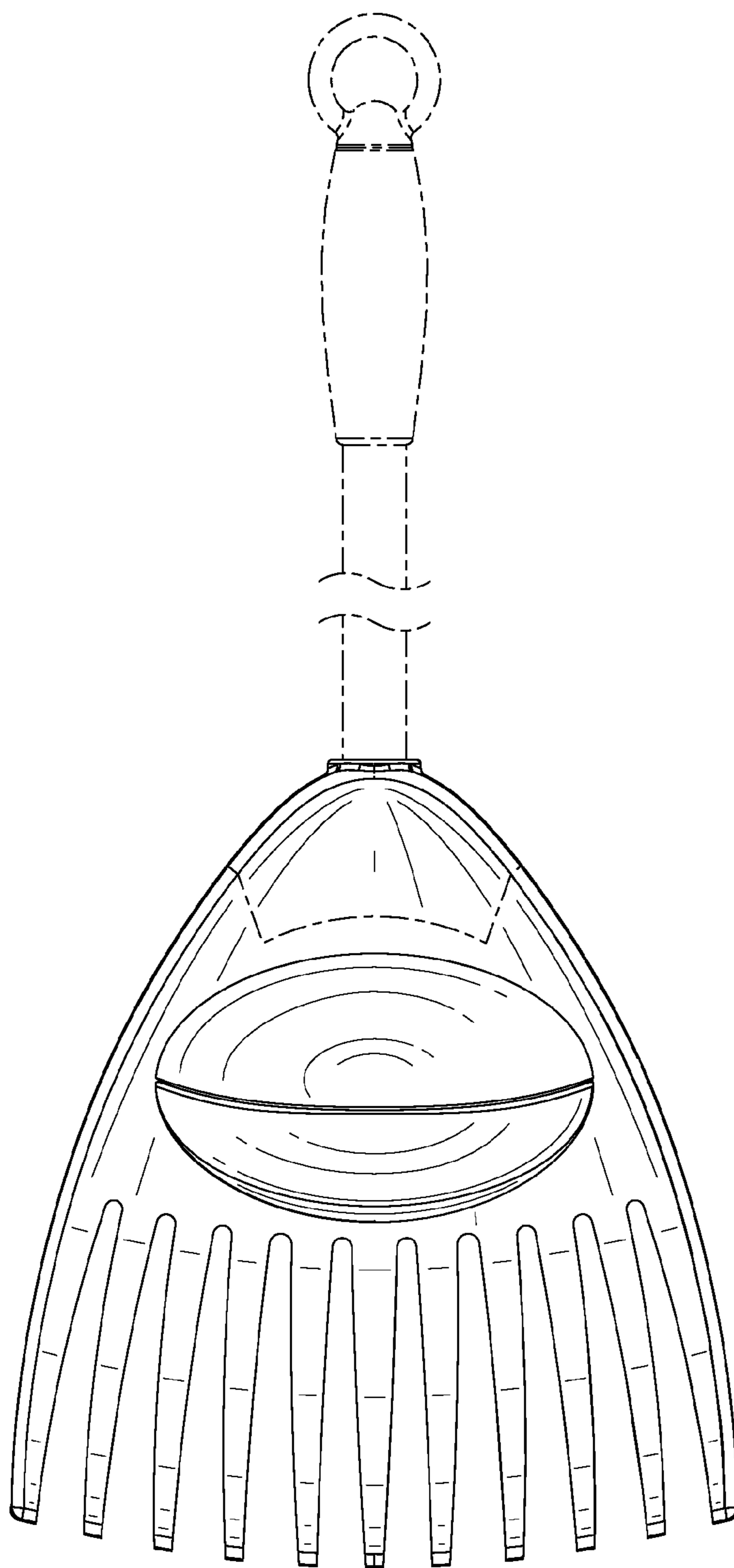


FIG. 6

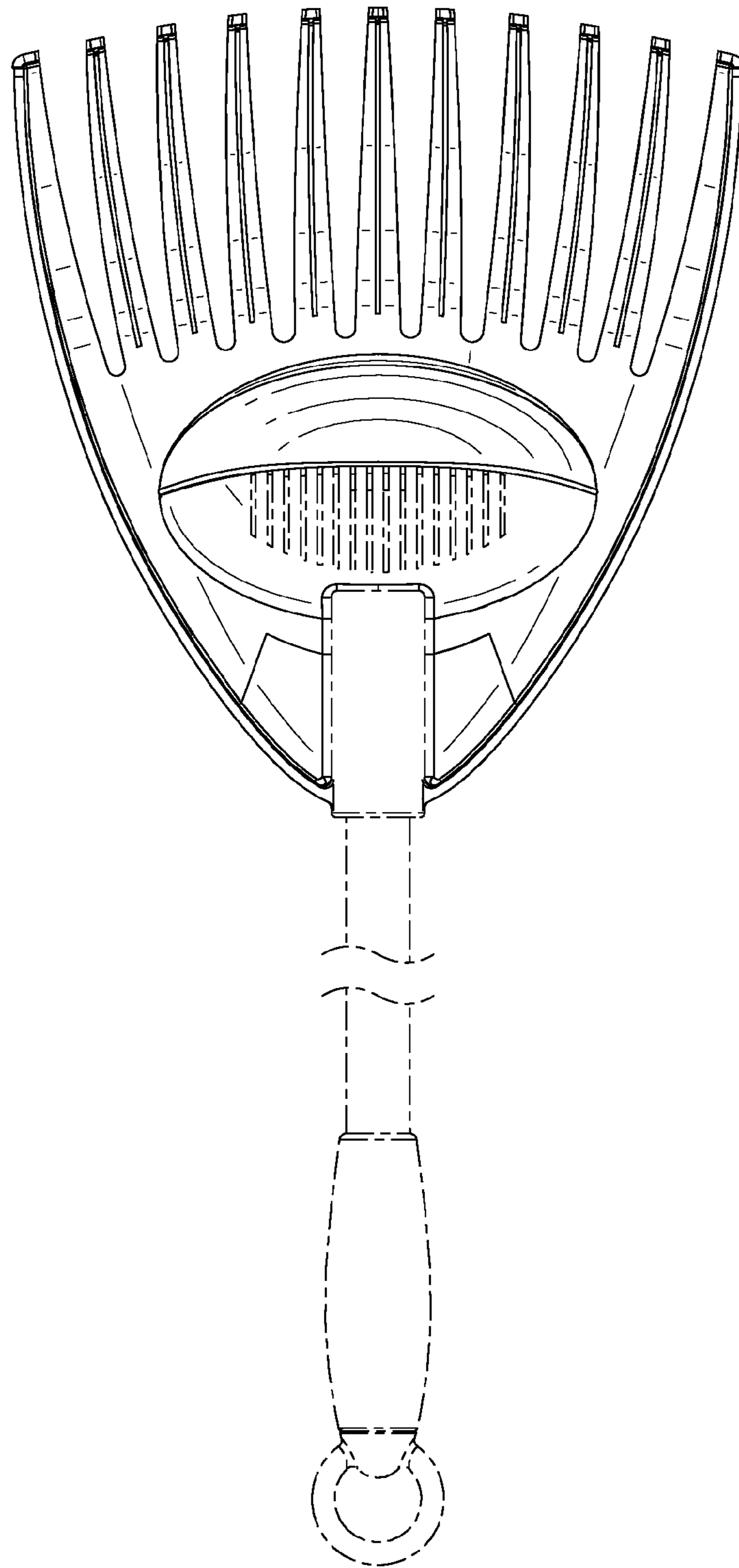


FIG. 7

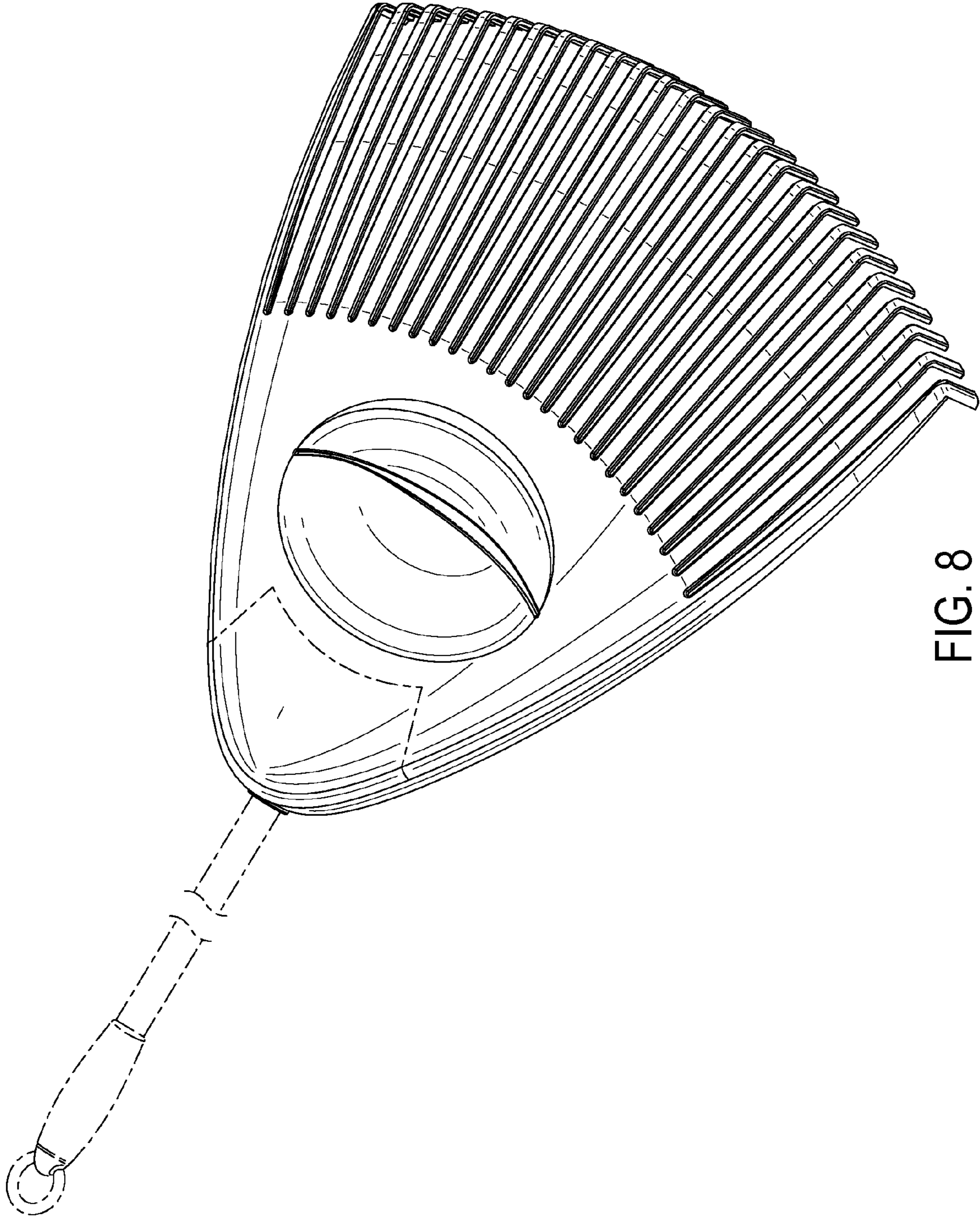


FIG. 8

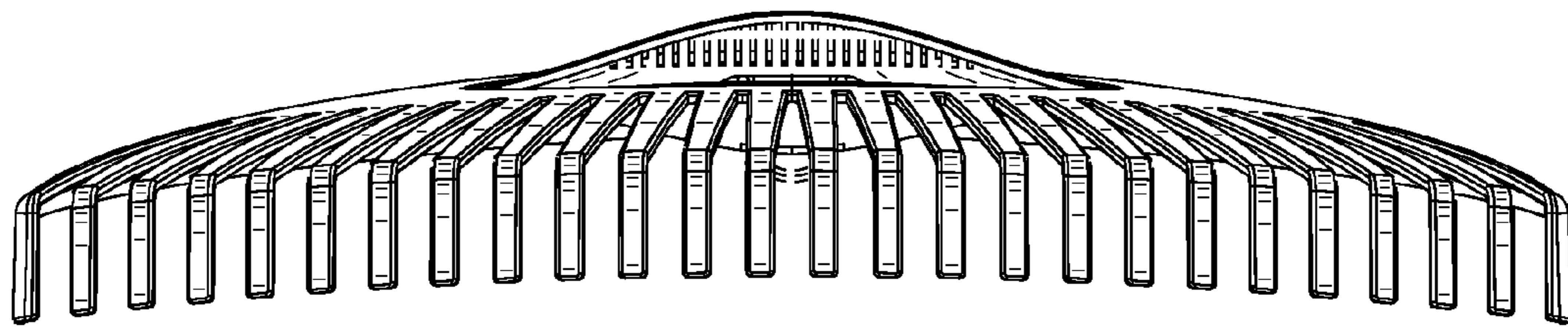


FIG. 9

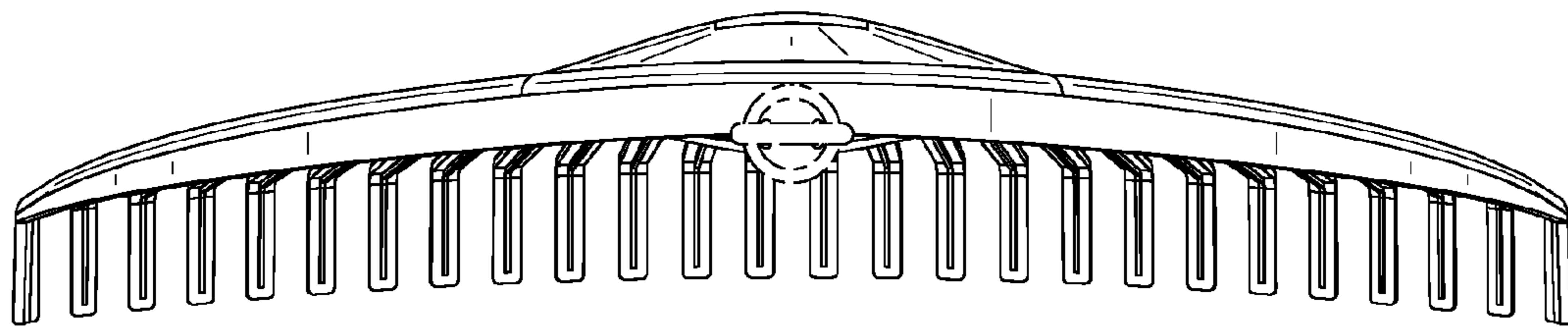


FIG. 10

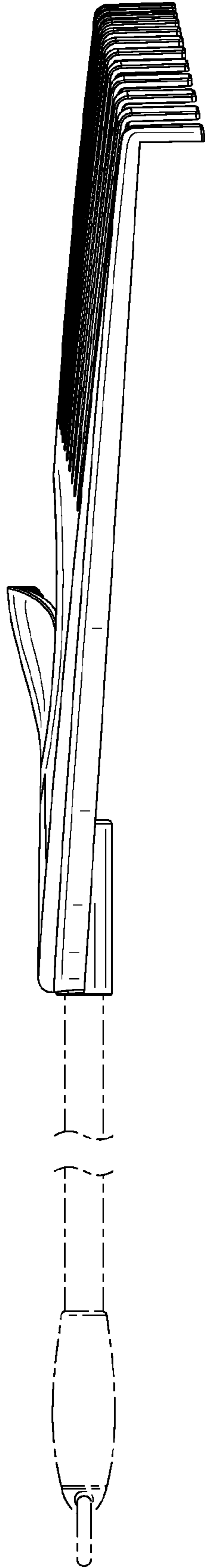


FIG. 11

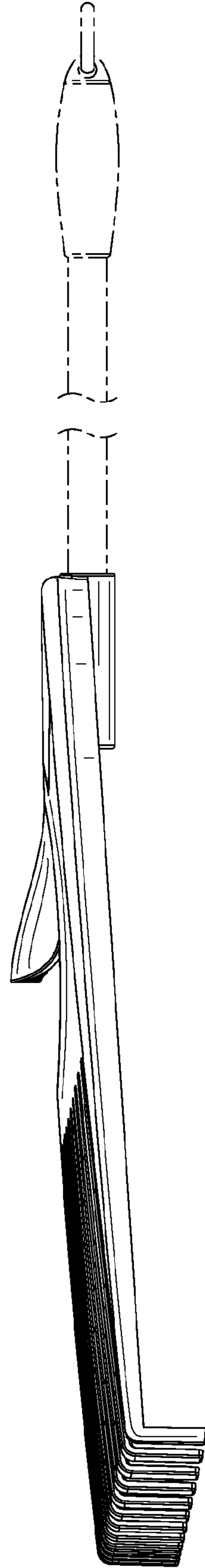


FIG. 12

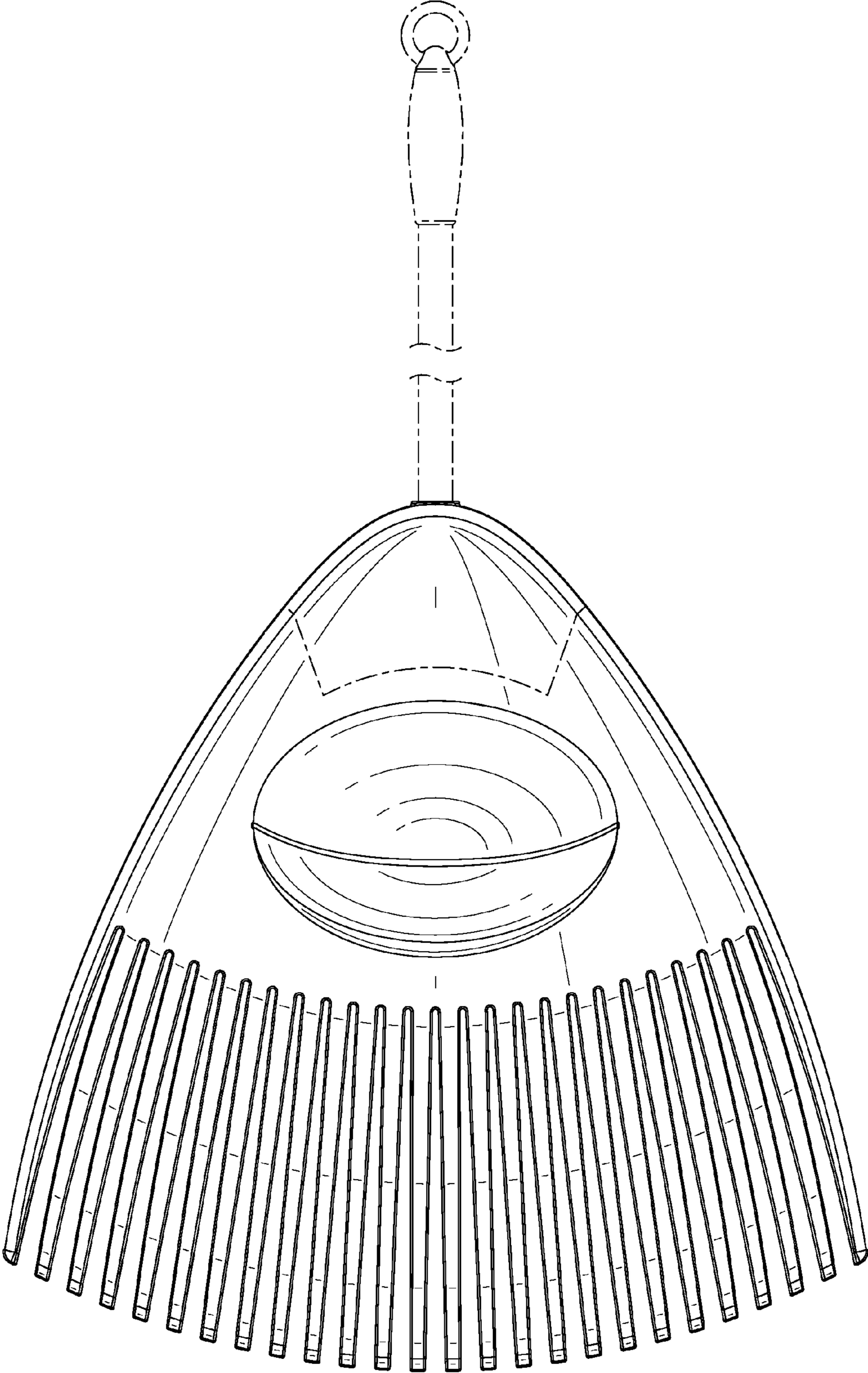


FIG. 13

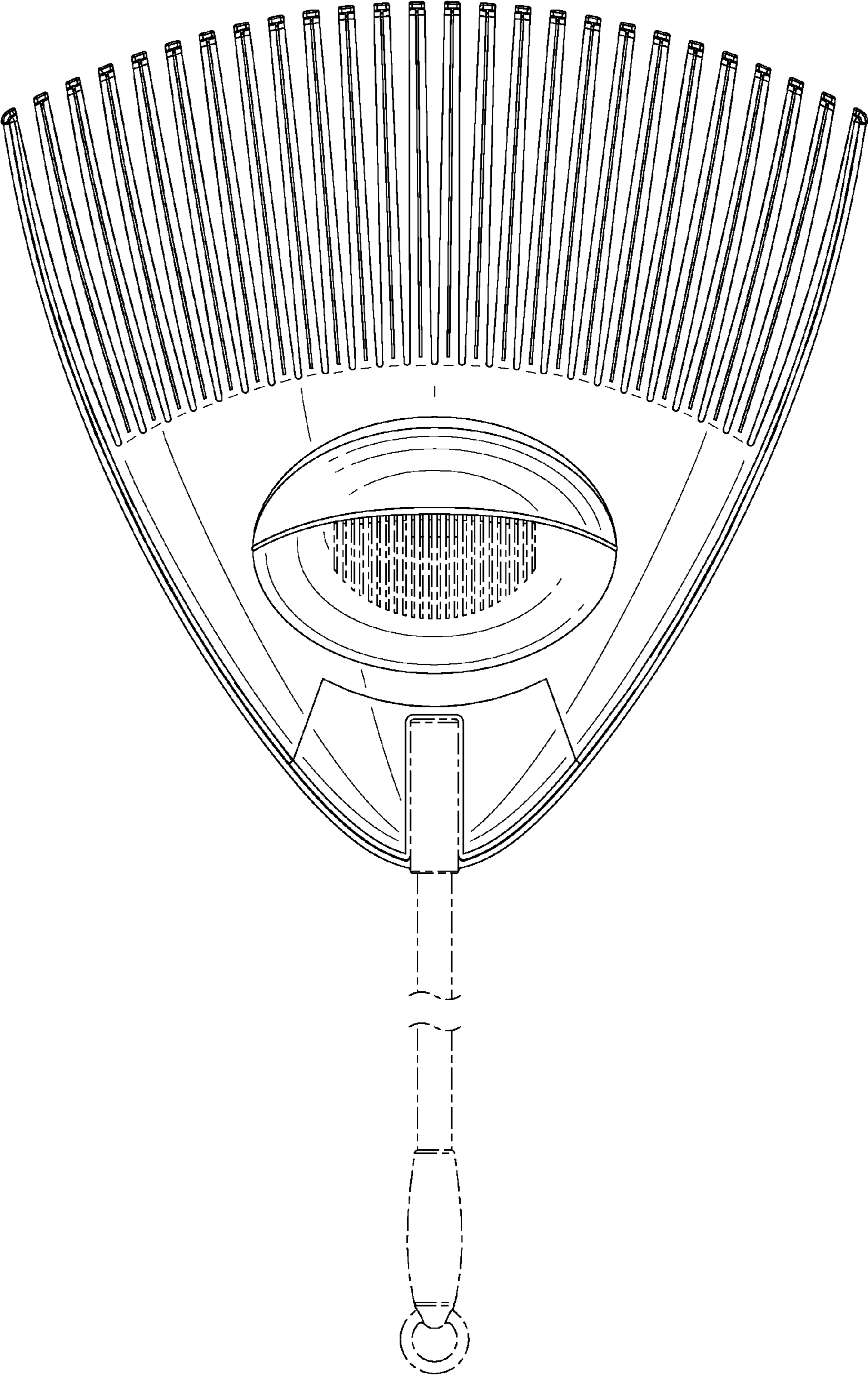


FIG. 14