



US00D589766S

(12) **United States Design Patent**
Tate

(10) **Patent No.:** **US D589,766 S**

(45) **Date of Patent:** **** Apr. 7, 2009**

(54) **HOLE CUTTING TOOL**

(76) **Inventor:** **Chris Tate**, 2601 Sweetgrass Dr., Little Rock, AR (US) 72211

(**) **Term:** **14 Years**

(21) **Appl. No.:** **29/283,342**

(22) **Filed:** **Aug. 10, 2007**

(51) **LOC (9) Cl.** **08-01**

(52) **U.S. Cl.** **D8/7**

(58) **Field of Classification Search** **D8/7**
See application file for complete search history.

(56) **References Cited**

U.S. PATENT DOCUMENTS

D89,682 S	*	4/1933	Croasdale	D8/7
D251,698 S	*	5/1979	Bartholomew, Jr.	D8/5
D253,390 S	*	11/1979	Bartholomew	D8/7
D302,512 S	*	8/1989	Slayton	D8/7
D342,651 S	*	12/1993	Manos	D8/1
D411,944 S	*	7/1999	Lanz	D8/7
D511,947 S	*	11/2005	Green	D8/7

D560,982 S * 2/2008 Hammond, Sr. D8/7

* cited by examiner

Primary Examiner—Holly H Baynham

Assistant Examiner—Sheryl Lane

(57) **CLAIM**

The ornamental design for a hole cutting tool, as shown and described.

DESCRIPTION

FIG. 1 depicts a perspective view of the hole cutting tool.

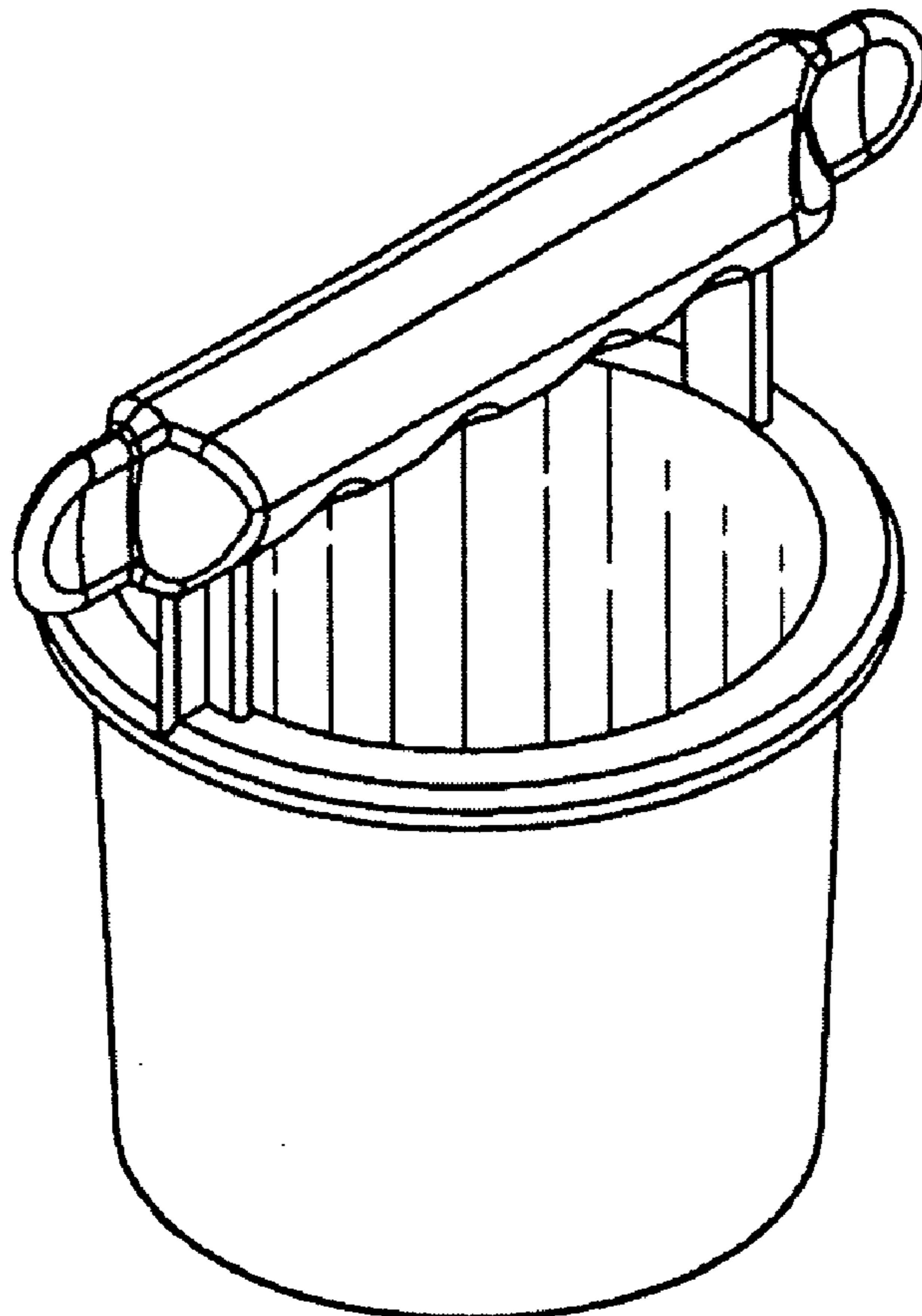
FIG. 2 depicts a bottom plan view of the hole cutting tool of FIG. 1.

FIG. 3 depicts a top plan view of the hole cutting tool of FIG. 1.

FIG. 4 depicts a side elevation view of the hole cutting tool of FIG. 1, the opposite side being identical; and,

FIG. 5 depicts a side elevation view of the hole cutting tool of FIG. 1, rotated 90° around the vertical axis from the view of FIG. 4, the opposite side being identical.

1 Claim, 3 Drawing Sheets



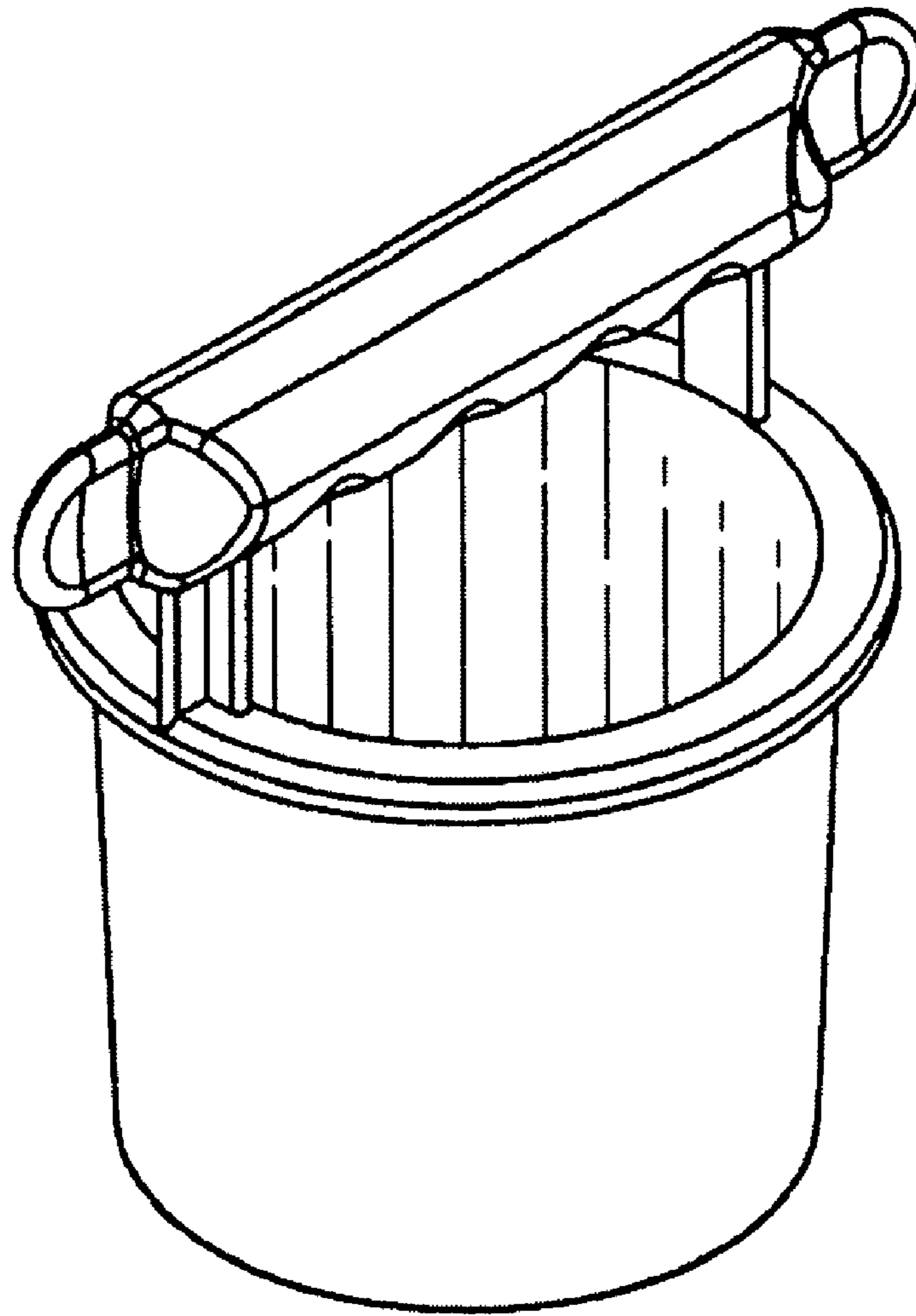


FIG. 1

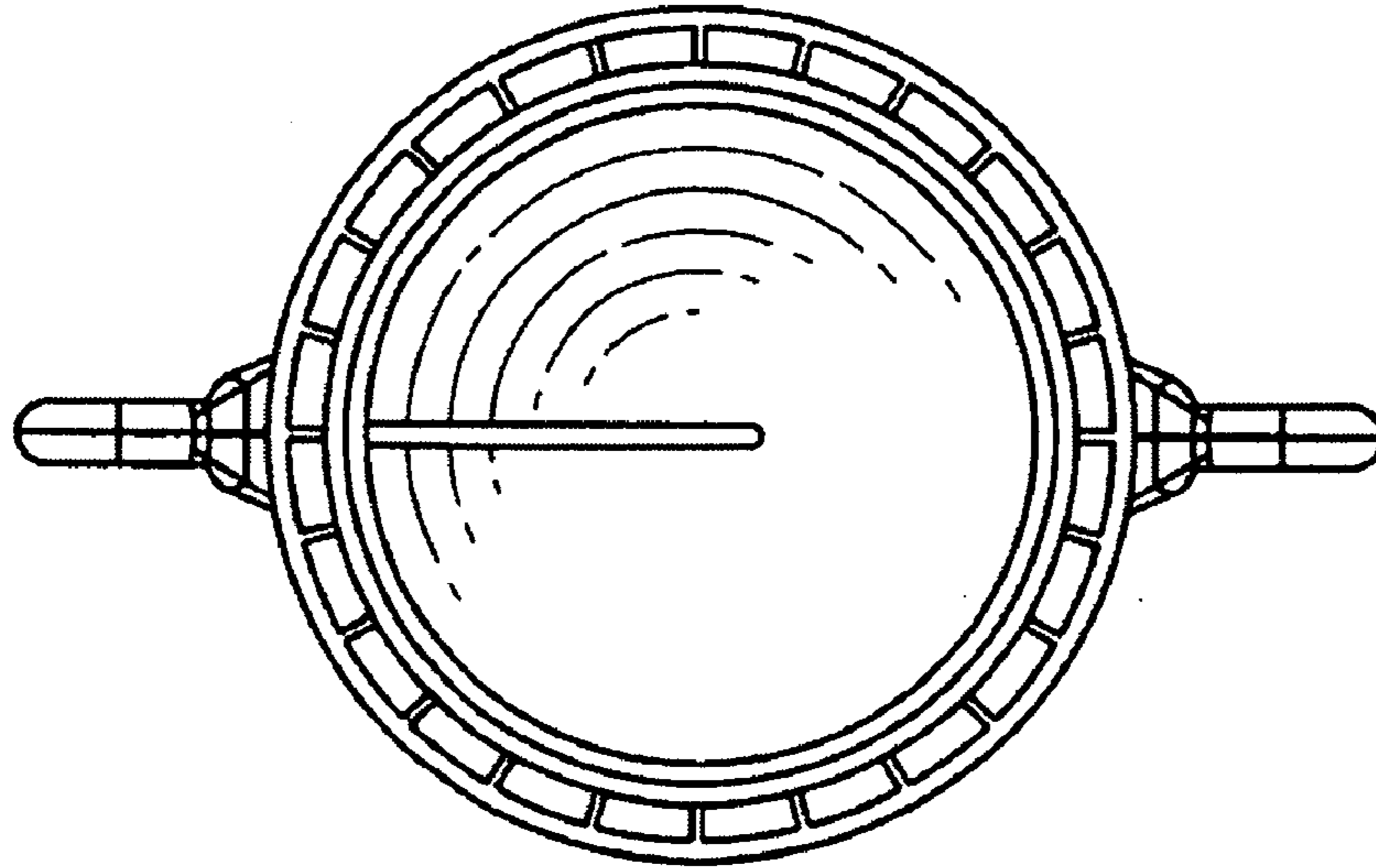


FIG. 2

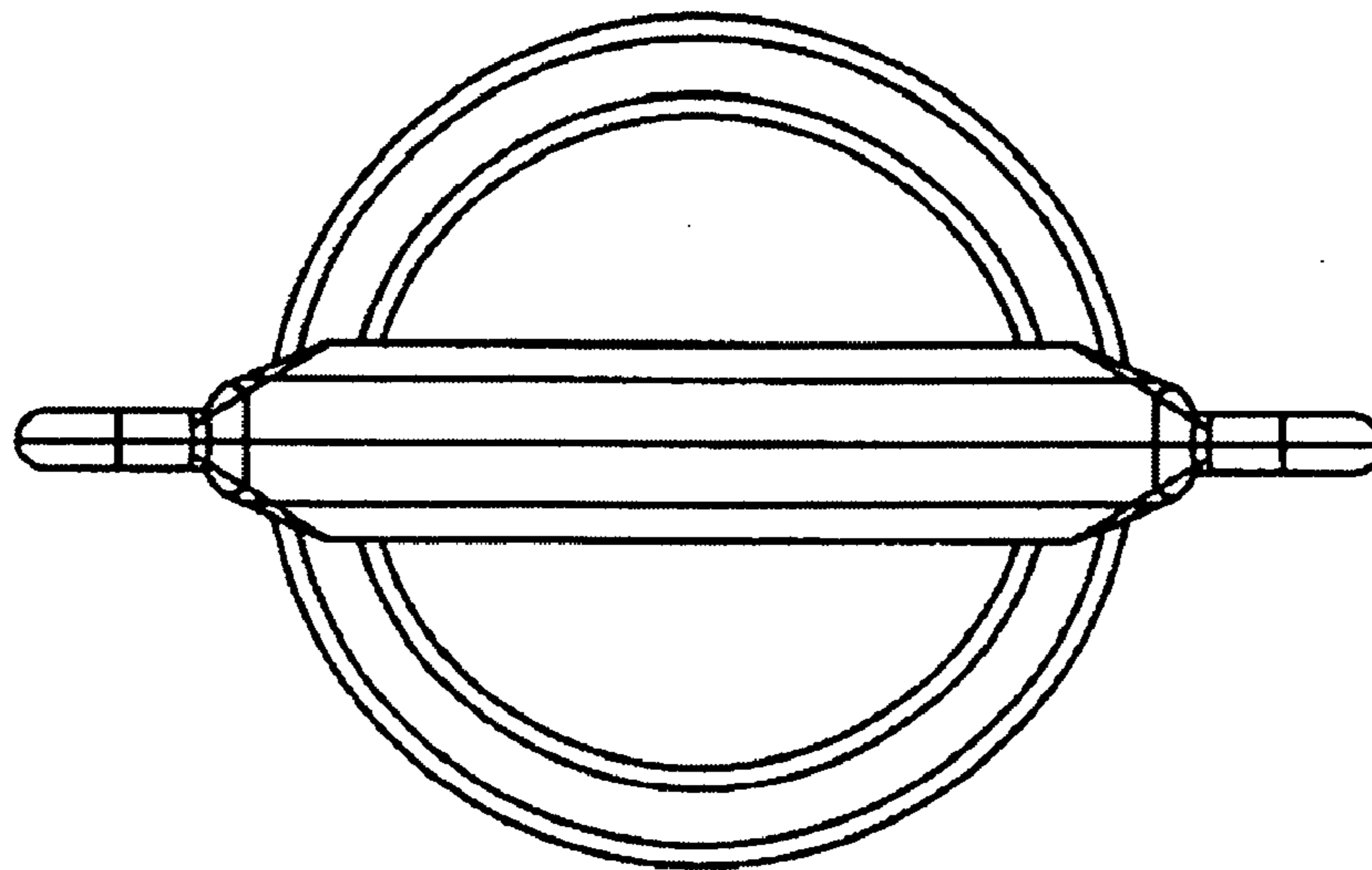


FIG. 3

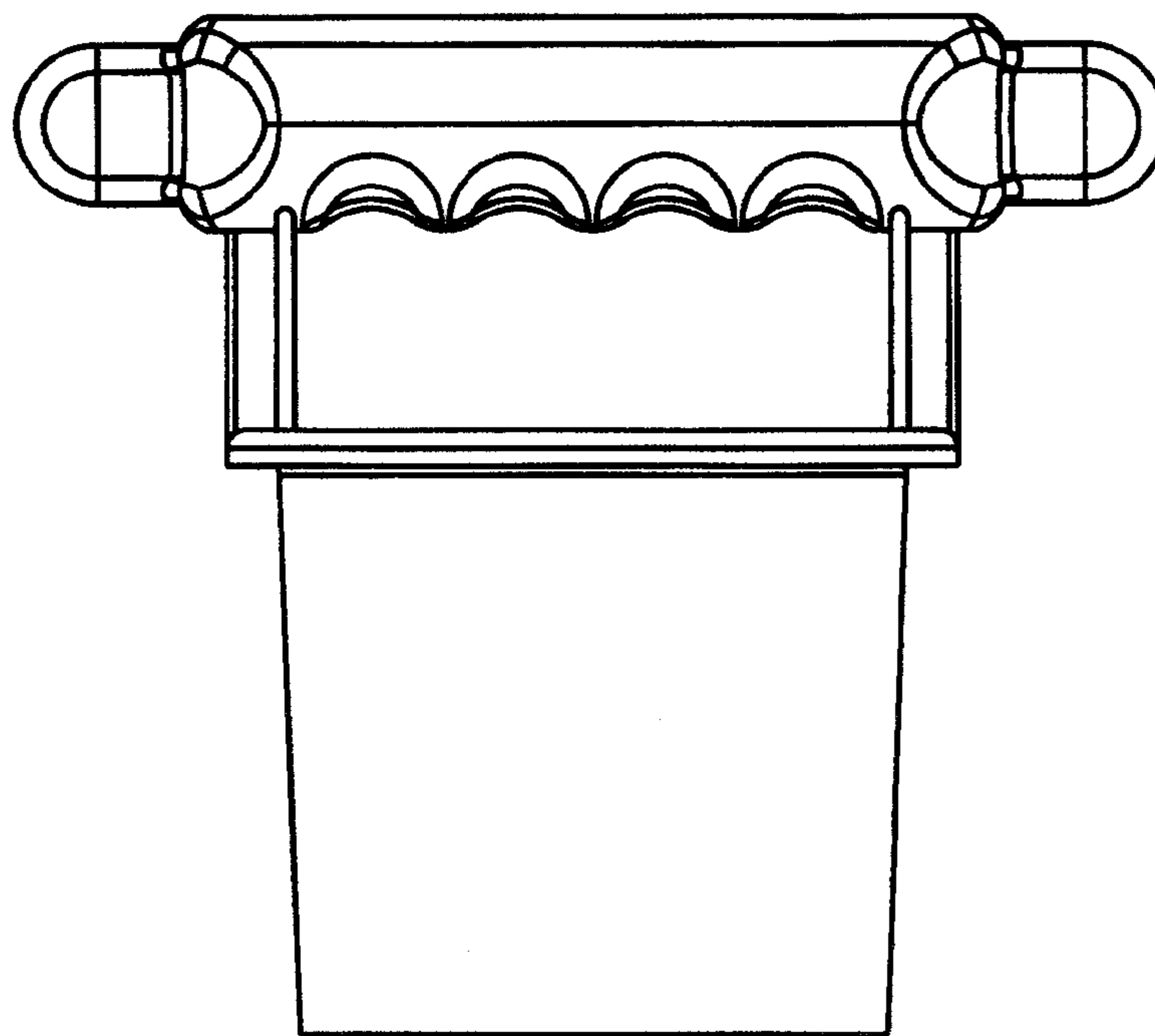


FIG. 4

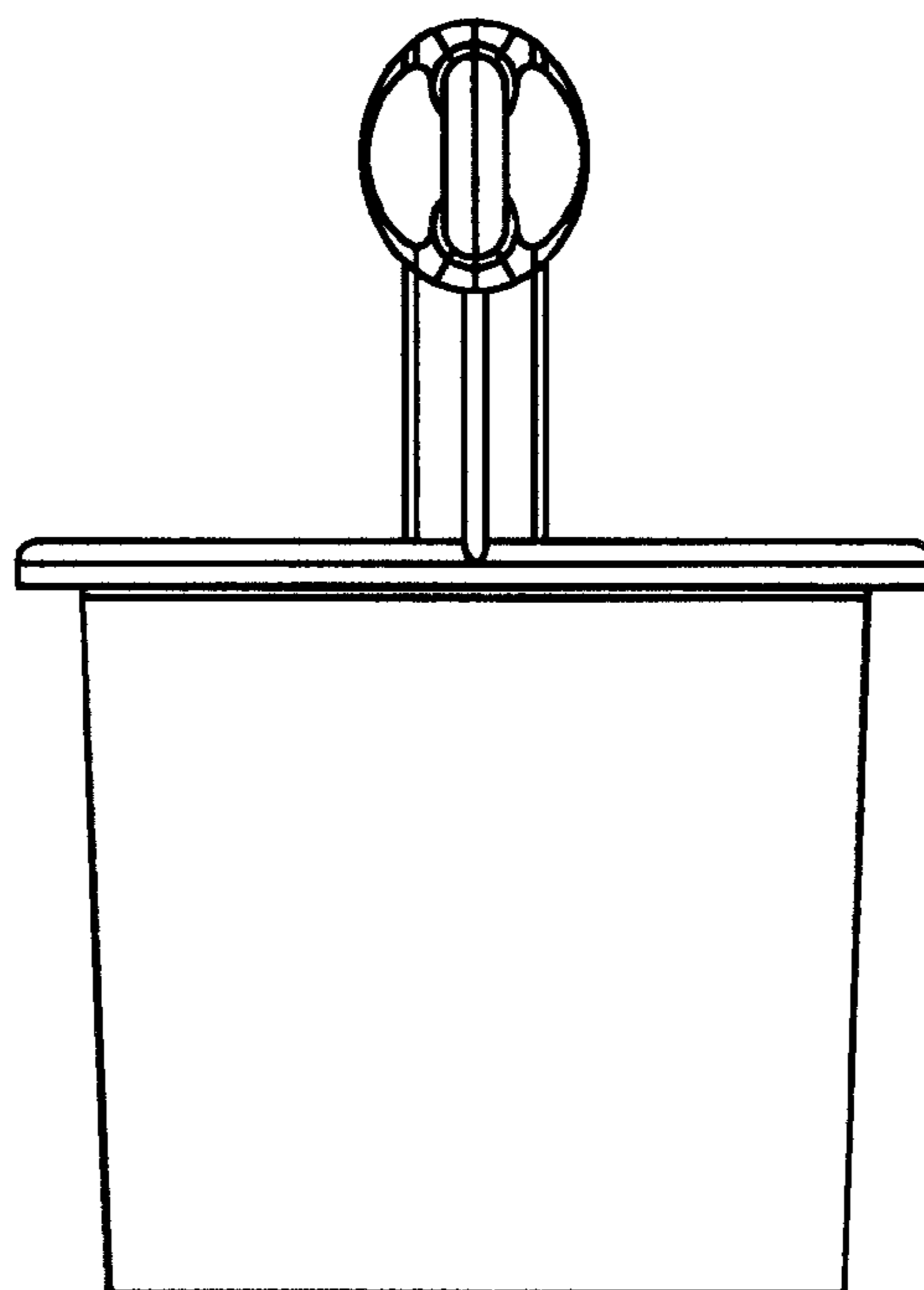


FIG. 5