



US00D589764S

(12) **United States Design Patent**  
**Randolph**

(10) **Patent No.:** **US D589,764 S**

(45) **Date of Patent:** **\*\* Apr. 7, 2009**

(54) **SPILL GUARD**

(76) Inventor: **Terry Alan Randolph**, 20 Orana Road,  
Mona Vale (AU) NSW-2103

(\*\*) Term: **14 Years**

(21) Appl. No.: **29/303,641**

(22) Filed: **Feb. 13, 2008**

(30) **Foreign Application Priority Data**

Aug. 14, 2007 (AU) ..... 19347/2007

(51) **LOC (9) Cl.** ..... **07-99**

(52) **U.S. Cl.** ..... **D7/700**

(58) **Field of Classification Search** ..... D7/700,  
D7/400; 141/95, 98, 297-300, 331-345

See application file for complete search history.

(56) **References Cited**

U.S. PATENT DOCUMENTS

3,252,635	A	5/1966	Rosenhan	
3,272,395	A	9/1966	Lawyer	
3,356,266	A	12/1967	Pinter, Jr.	
3,428,213	A	2/1969	Stephens	
3,693,829	A	9/1972	Price	
D245,344	S *	8/1977	Fisher	D7/700
4,316,560	A	2/1982	Carter	
5,111,946	A	5/1992	Glanz	
5,535,793	A *	7/1996	Tantre	141/337
5,678,684	A	10/1997	Wright	
5,762,120	A *	6/1998	Smith	141/340
5,871,037	A *	2/1999	Feldt	141/391
6,539,991	B1 *	4/2003	Ackerman	141/331

D513,549 S \* 1/2006 Schuster ..... D7/700  
2006/0243735 A1 11/2006 Kline et al.

FOREIGN PATENT DOCUMENTS

AU	307027	5/2006
AU	309691	9/2006
AU	309734	9/2006
AU	310191	9/2006

OTHER PUBLICATIONS

Australian Patent Office International-Type Search Report for Australian Patent Application No. 2007904285, mailed Jan. 7, 2008.

\* cited by examiner

*Primary Examiner*—Terry A Wallace

(74) *Attorney, Agent, or Firm*—Sheridan Ross P.C.

(57) **CLAIM**

The ornamental design for a spill guard, as shown and described.

**DESCRIPTION**

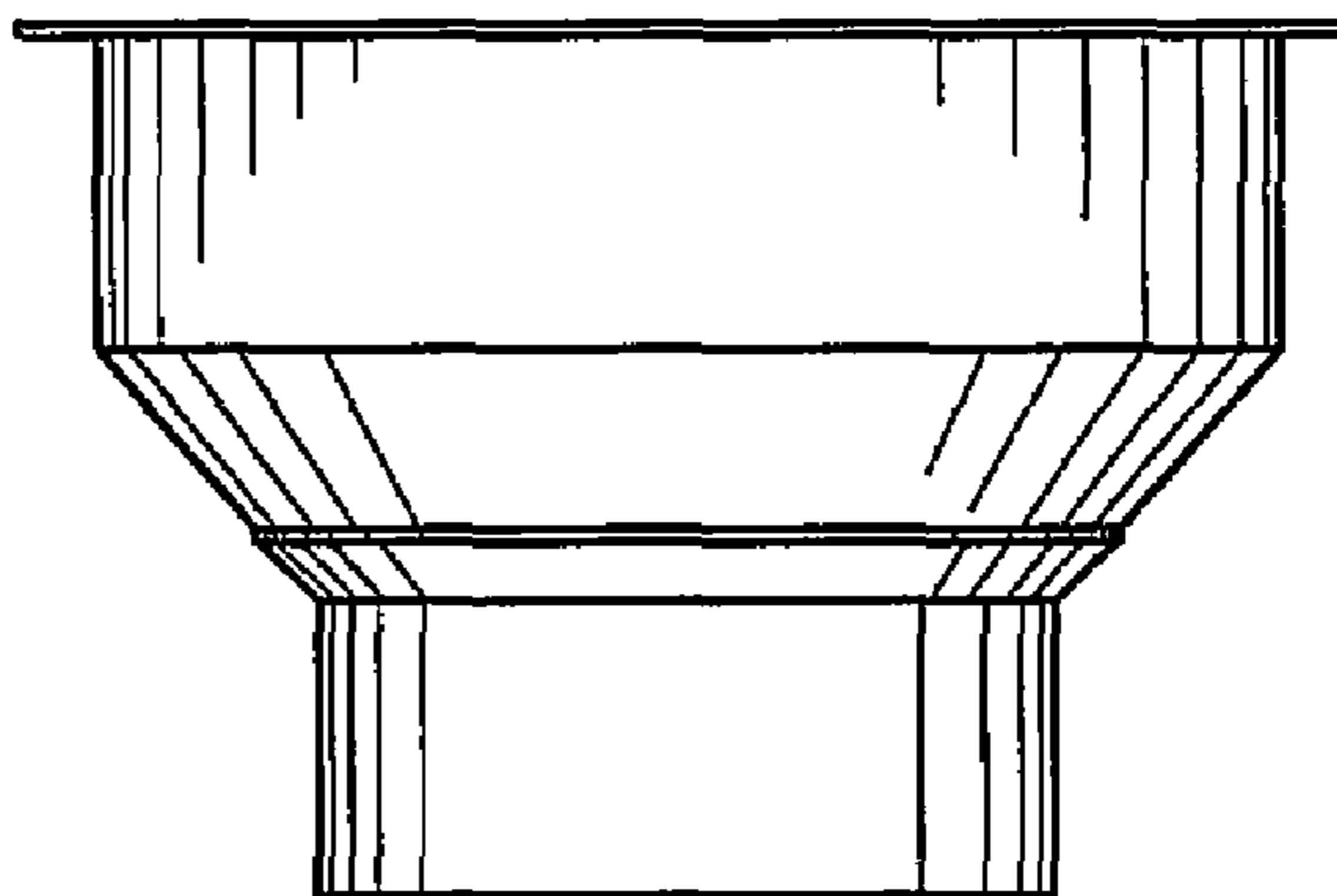
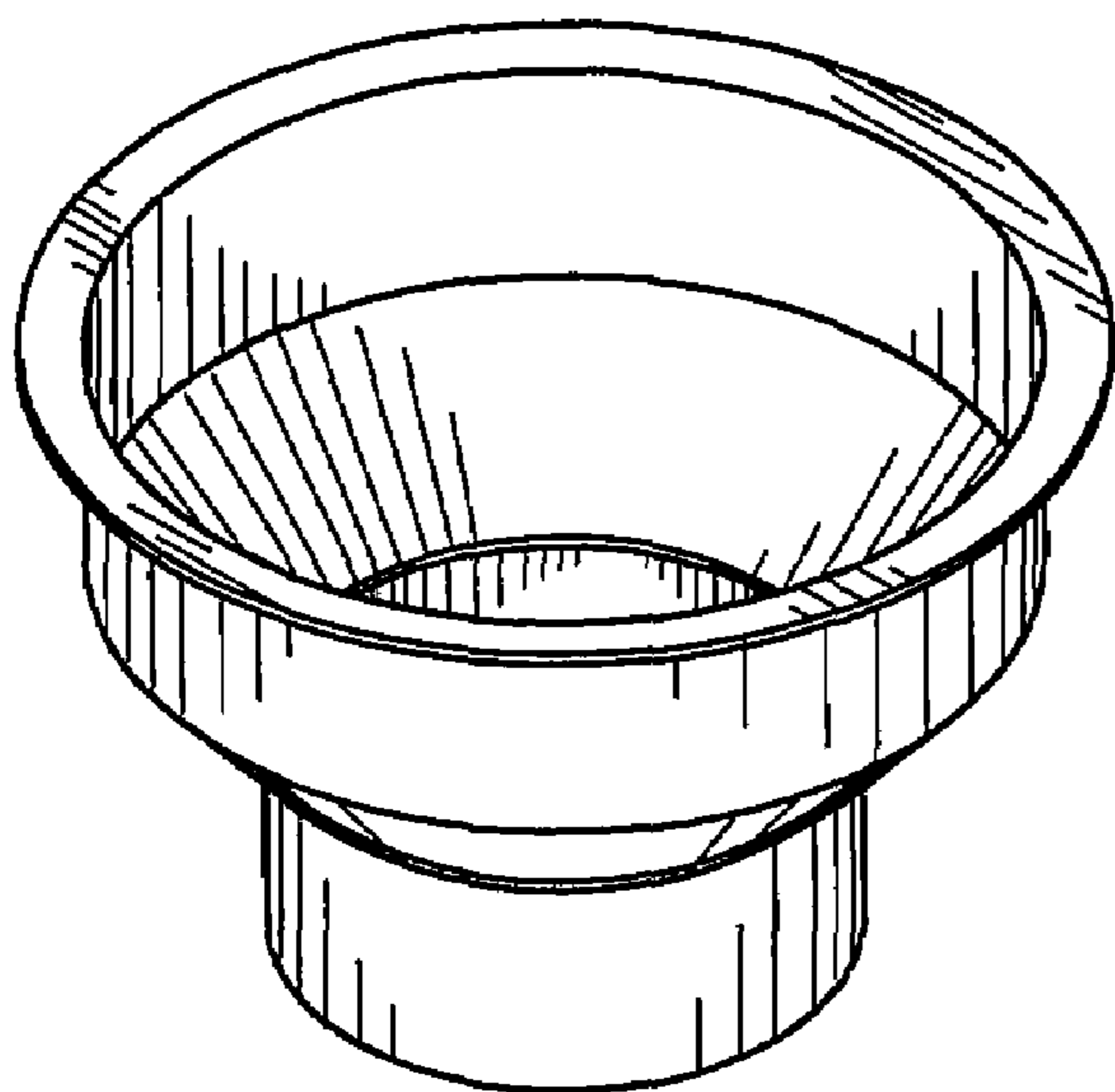
FIG. 1 is a perspective view of the spill guard, showing my new design;

FIG. 2 is an elevation view of the invention illustrated in FIG. 1, wherein the invention is symmetrical in viewing the invention at all sides;

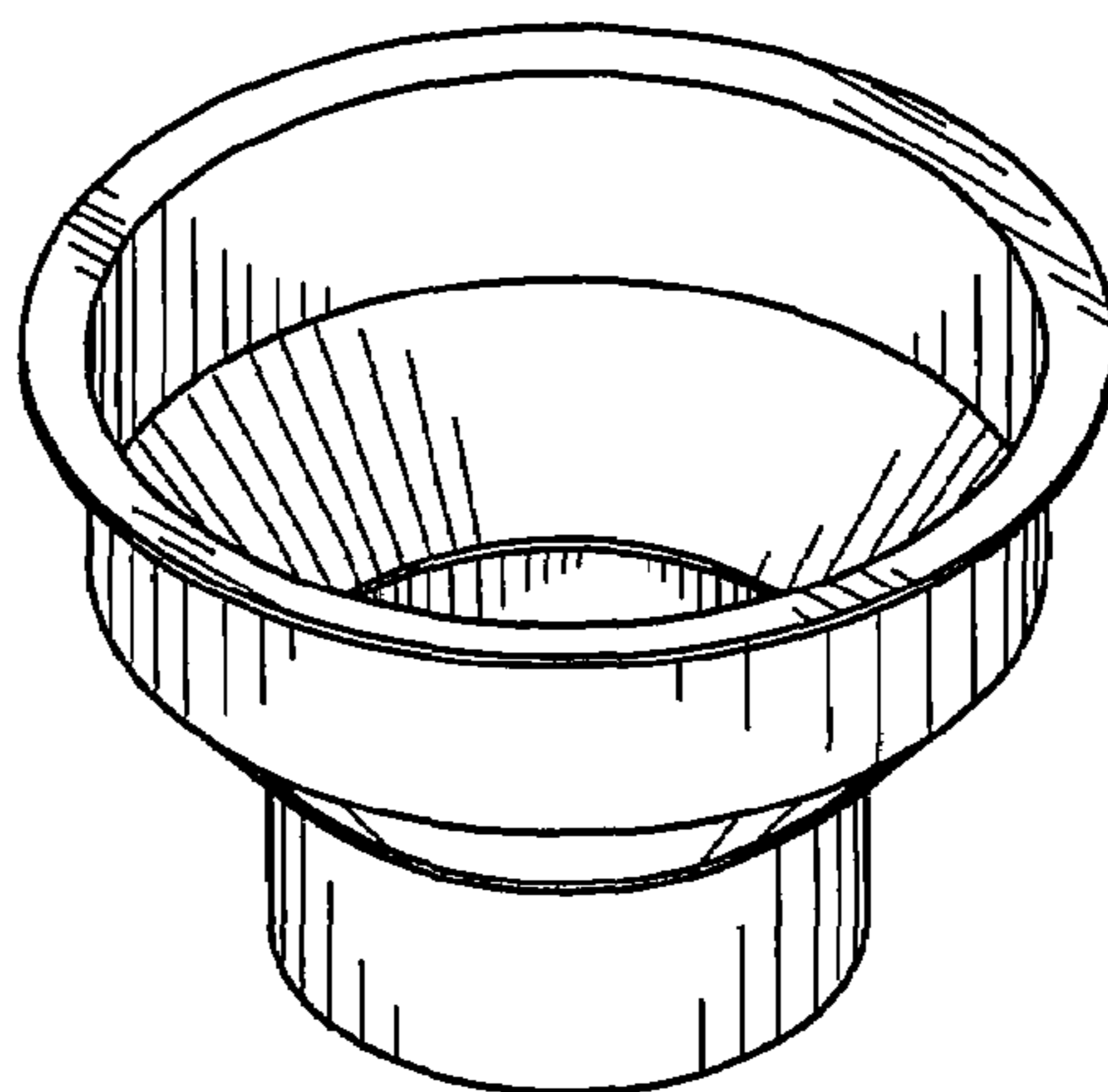
FIG. 3 is a top plan view of the invention illustrated in FIG. 1; and,

FIG. 4 is a bottom plan view of the invention illustrated in FIG. 1.

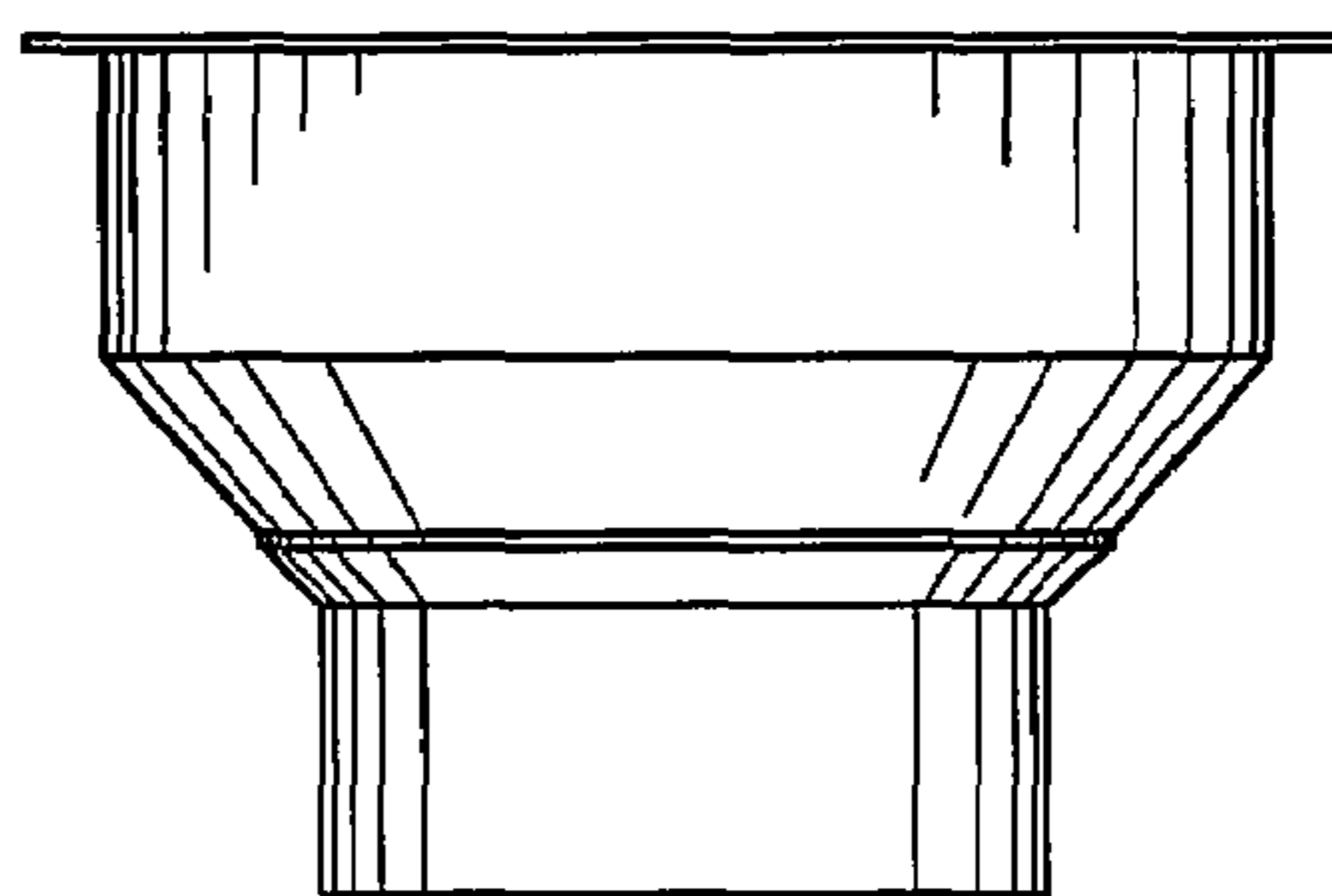
**1 Claim, 1 Drawing Sheet**



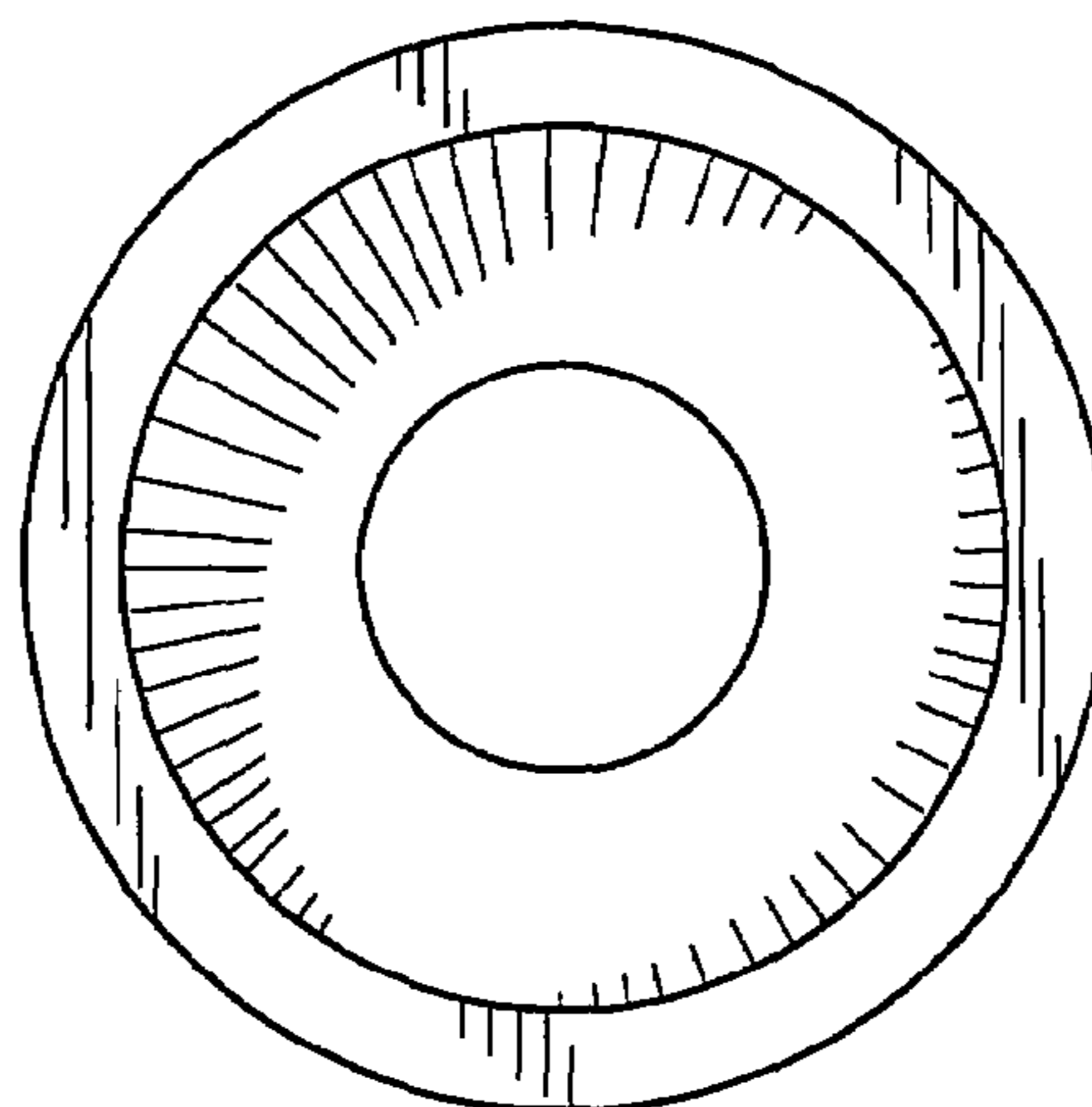
**Fig. 1**



**Fig. 2**



**Fig. 3**



**Fig. 4**

