



US00D589762S

(12) **United States Design Patent**
Tangren

(10) **Patent No.:** **US D589,762 S**

(45) **Date of Patent:** **** Apr. 7, 2009**

(54) **IMPACT NUTCRACKER**

(76) **Inventor:** **Dwight Tangren**, 15730 47th Ave.,
North, Plymouth, MN (US) 55446

(**) **Term:** **14 Years**

(21) **Appl. No.:** **29/308,726**

(22) **Filed:** **Jul. 1, 2008**

(51) **LOC (9) Cl.** **07-06**

(52) **U.S. Cl.** **D7/680**

(58) **Field of Classification Search** D7/680,
D7/669, 368; 30/120.1-120.5; 99/568-582
See application file for complete search history.

6,237,476 B1 5/2001 Beauchemin
6,247,396 B1 6/2001 Rhett
D452,637 S * 1/2002 Reed et al. D7/680
D461,690 S * 8/2002 Carey D7/680
D464,537 S * 10/2002 Healy D7/693
D481,272 S * 10/2003 Jeffers D7/693
7,000,531 B2 2/2006 Ross

* cited by examiner

Primary Examiner—Terry A Wallace

(74) *Attorney, Agent, or Firm*—Schroeder Siegfried, P.A.

(56) **References Cited**

U.S. PATENT DOCUMENTS

| | | | |
|--------------|---------|-----------------|--------------|
| 302,811 A | 7/1884 | Abbe | |
| 397,863 A | 2/1889 | Kuhlmann et al. | |
| 1,412,249 A | 4/1922 | McClung | |
| 2,069,877 A | 2/1937 | Fix | |
| 3,524,486 A | 8/1970 | Turner | |
| 3,667,511 A | 6/1972 | Van Der Wey | |
| 4,378,731 A | 4/1983 | Ruangburapa | |
| 4,438,687 A | 3/1984 | McNiel | |
| 4,520,719 A | 6/1985 | Price | |
| D330,150 S * | 10/1992 | Rogers | D7/680 |
| 5,333,384 A | 8/1994 | Graves | |
| D358,307 S * | 5/1995 | Plamann et al. | D7/693 |
| 6,135,021 A | 10/2000 | Abrahamsson | |

(57) **CLAIM**

The ornamental design for a impact nutcracker, as shown and described.

DESCRIPTION

FIG. 1 is a perspective view for an impact nutcracker showing my new design;

FIG. 2 is a right side elevational view thereof;

FIG. 3 is a left side elevational view thereof;

FIG. 4 is a front elevational view thereof;

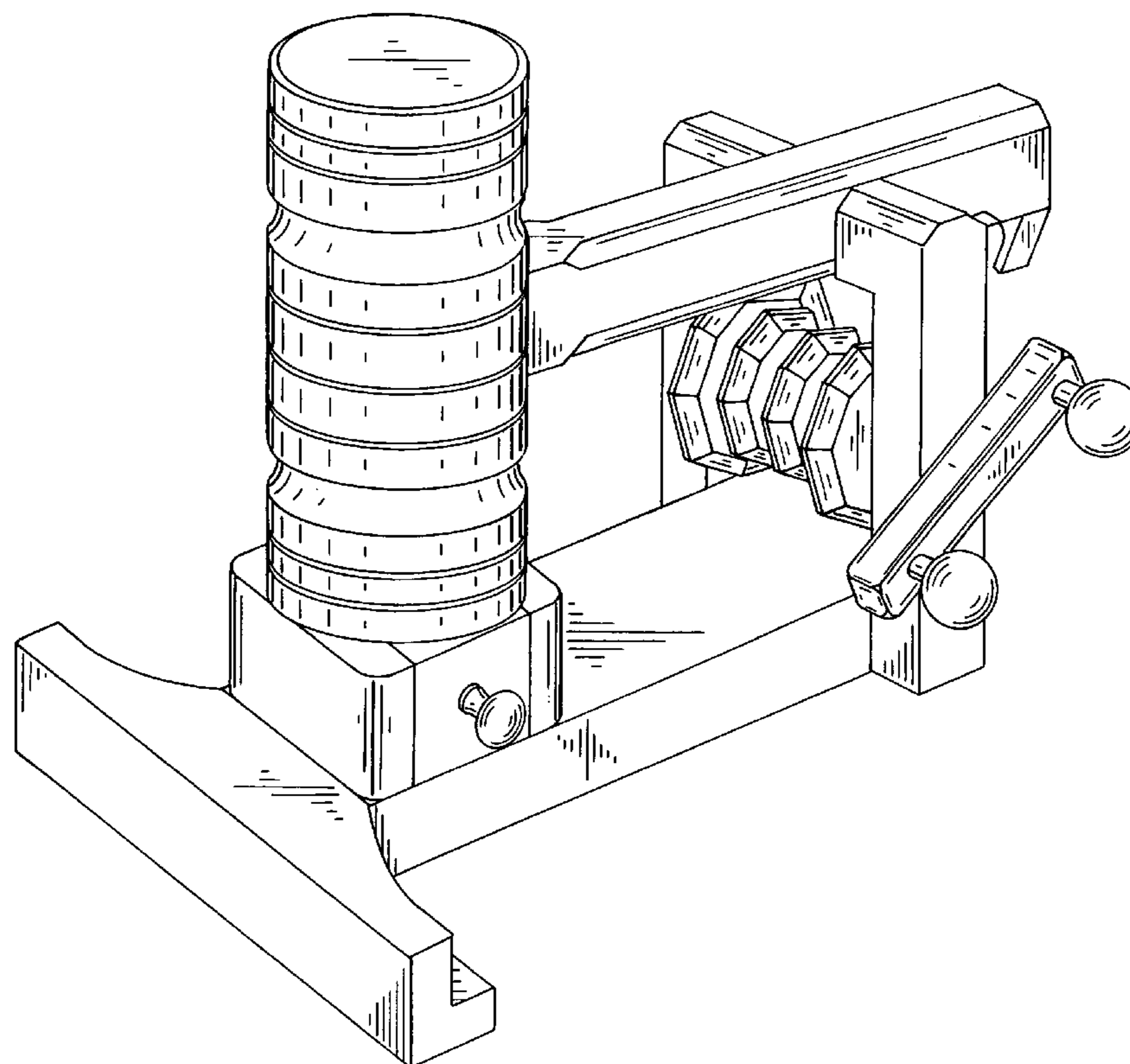
FIG. 5 is a rear elevational view thereof;

FIG. 6 is a top plan view thereof;

FIG. 7 is a bottom plan view thereof; and,

FIG. 8 is a perspective view showing an alternative position thereof.

1 Claim, 7 Drawing Sheets



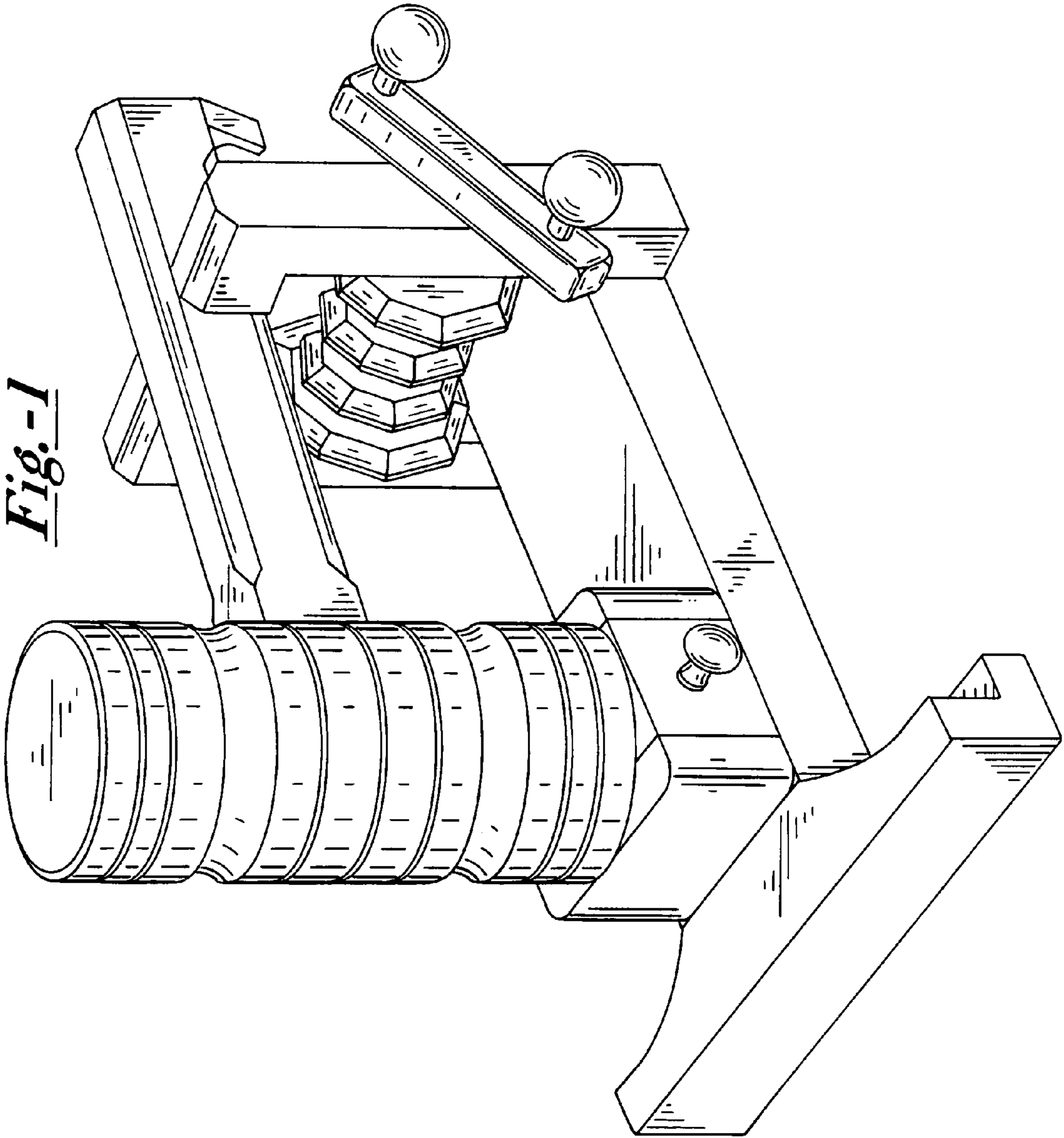


Fig.-1

Fig.-2

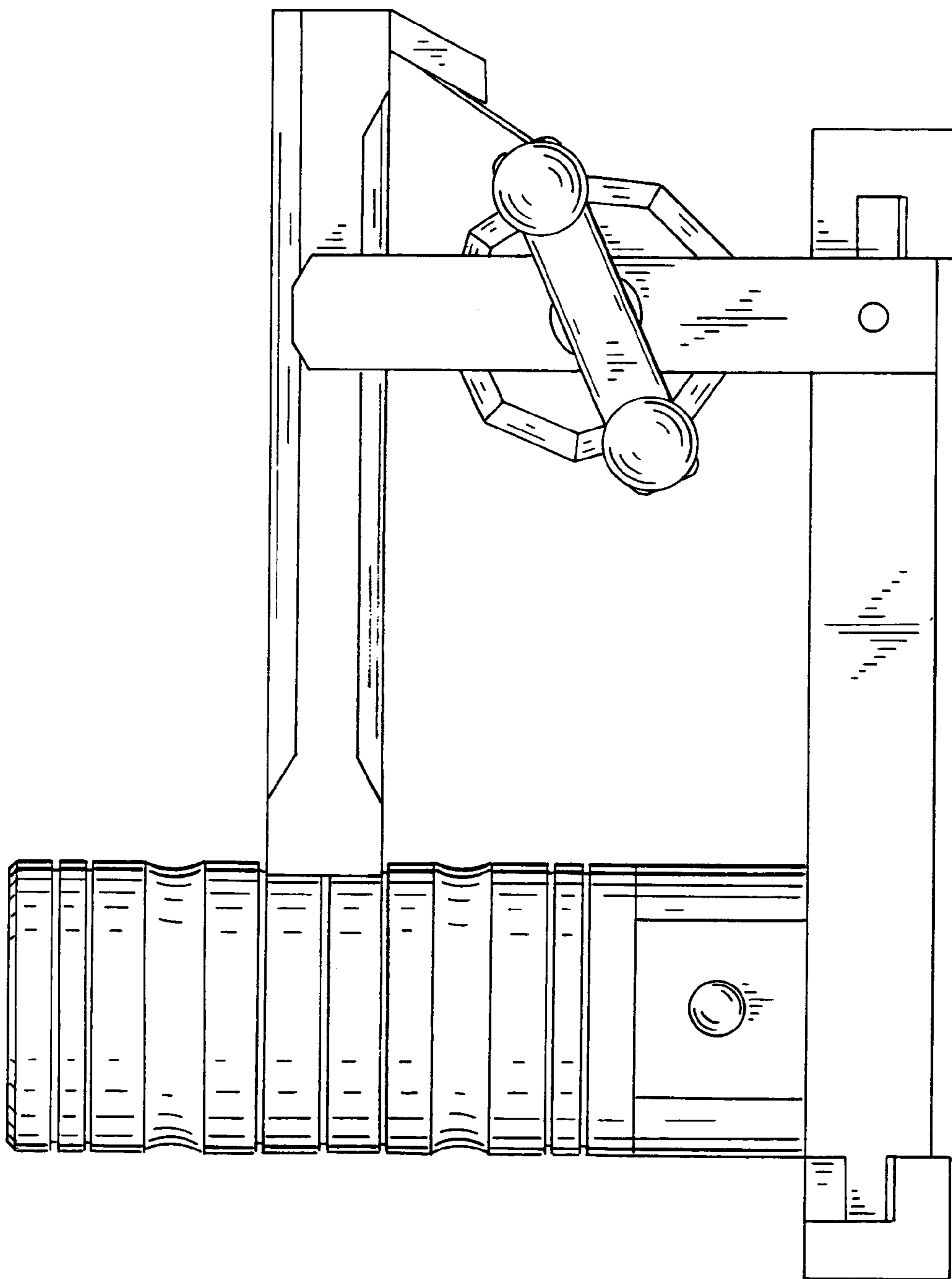


Fig. - 3

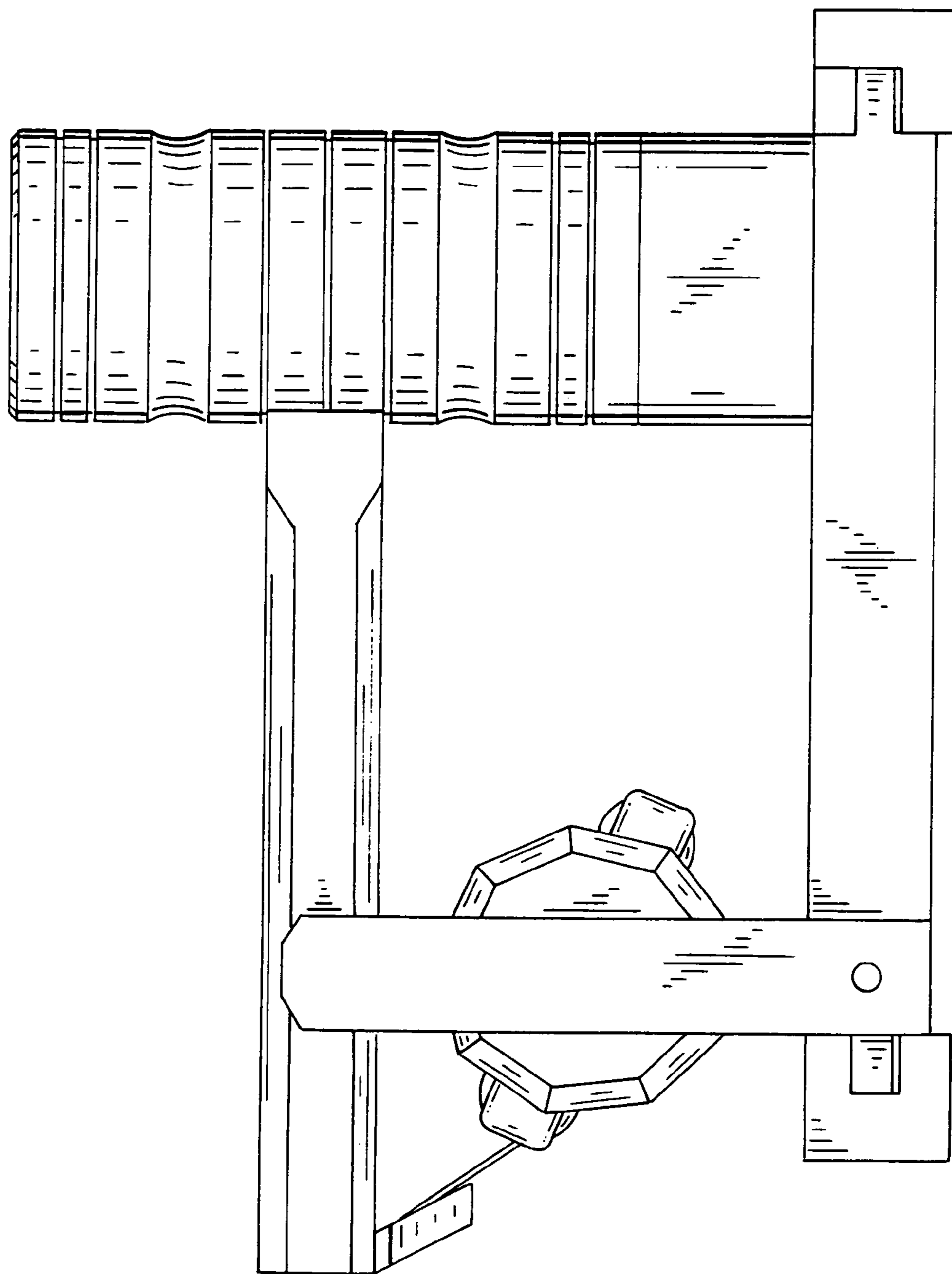


Fig.-5

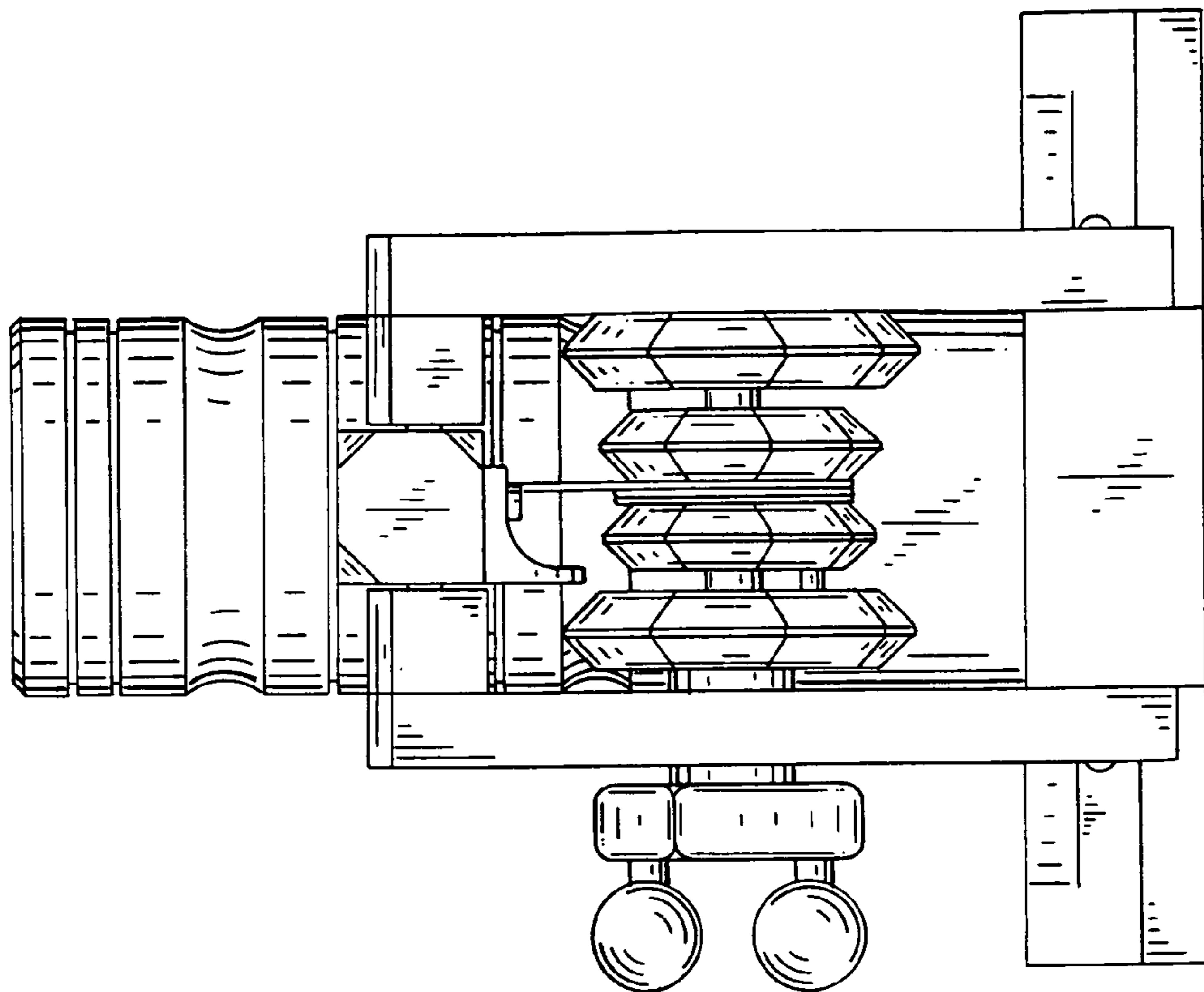
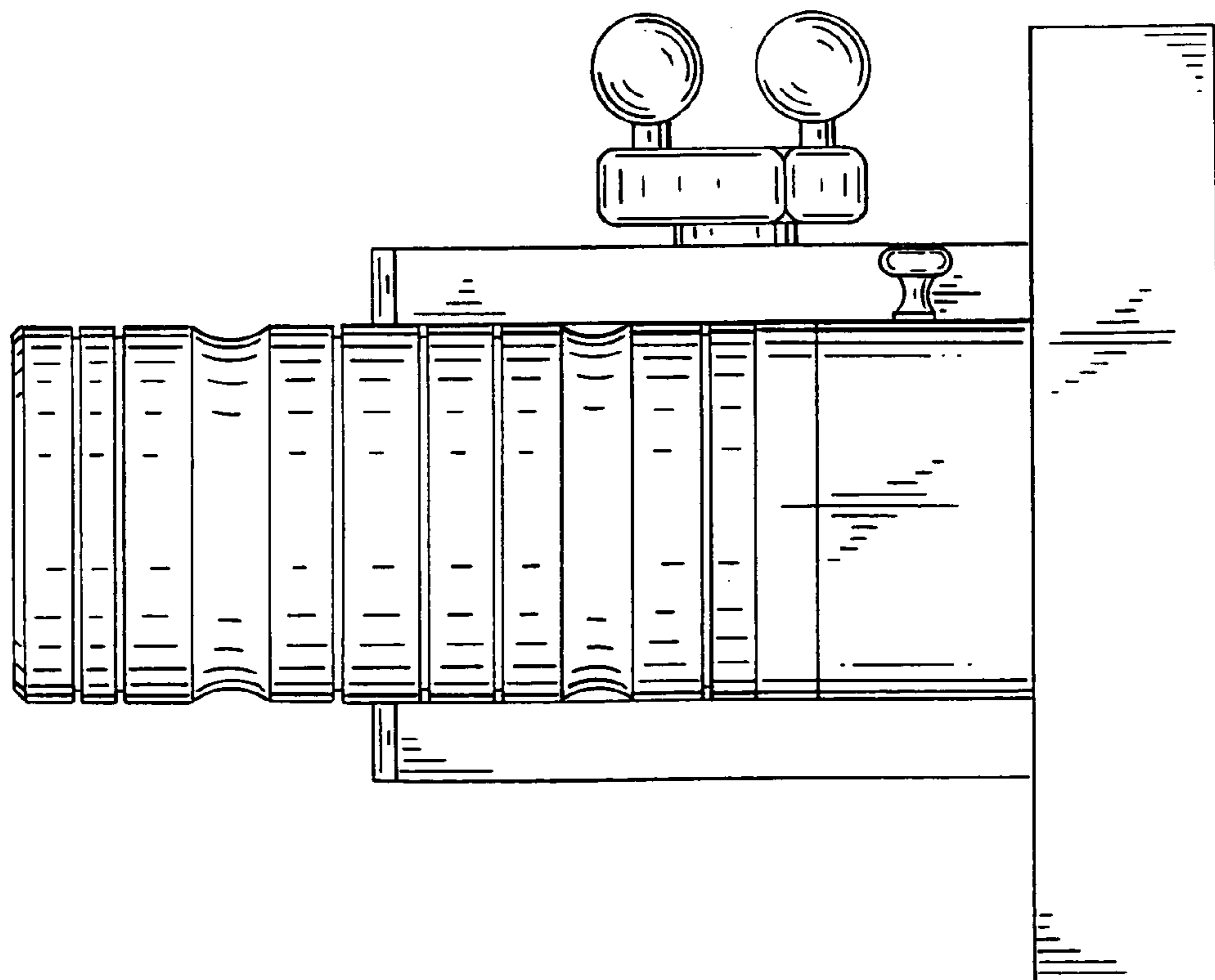


Fig.-4



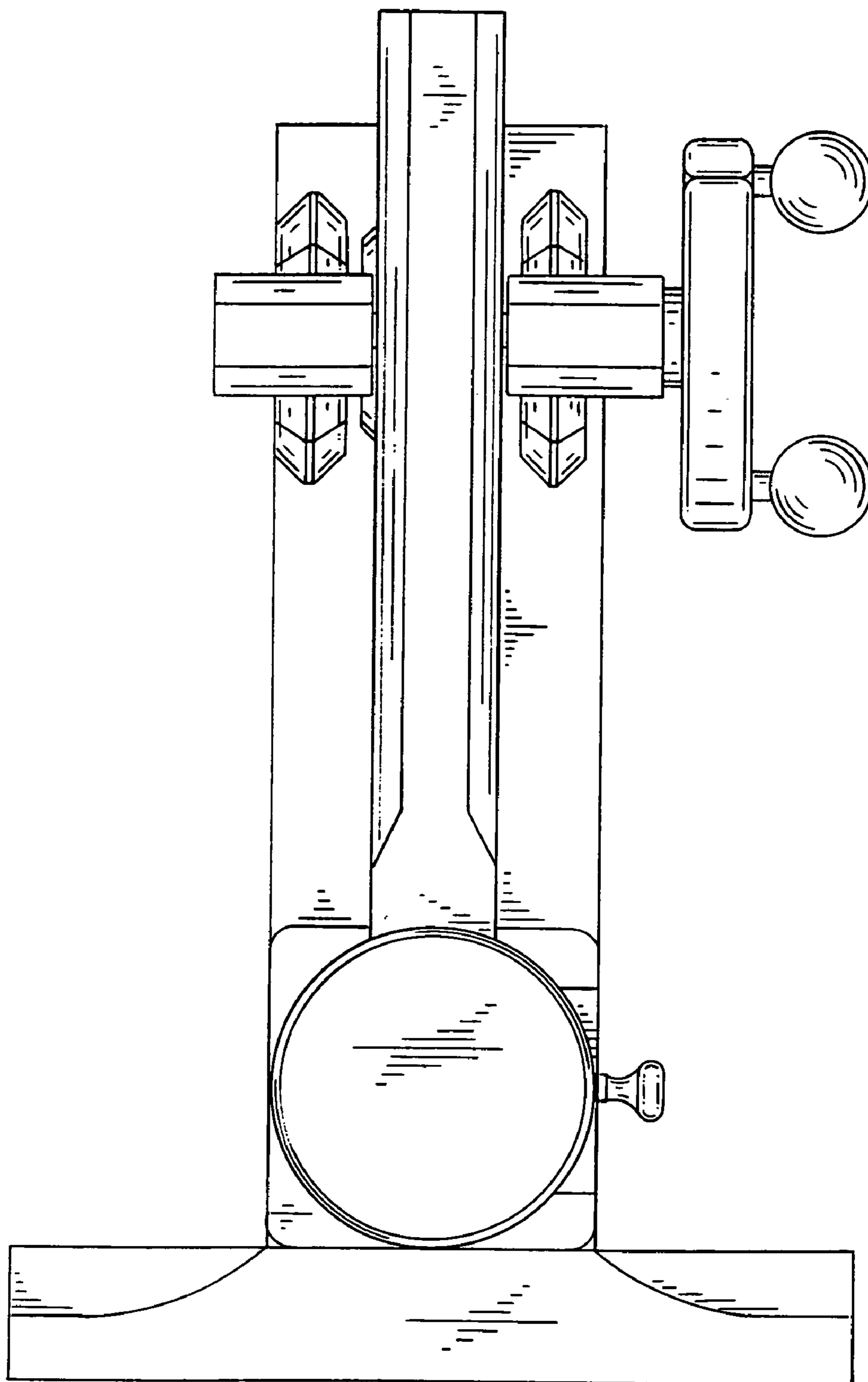


Fig.-6

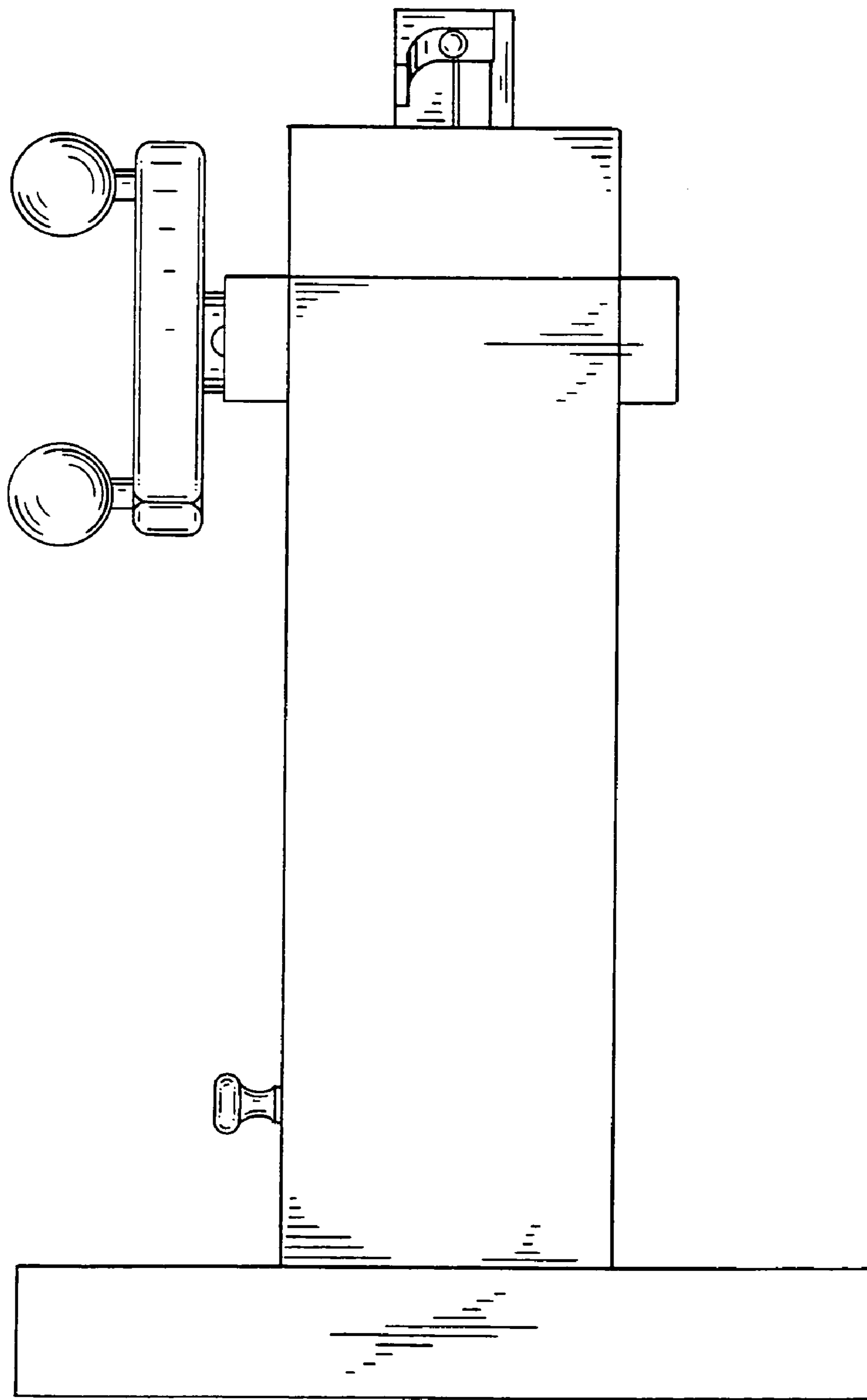


Fig.-7

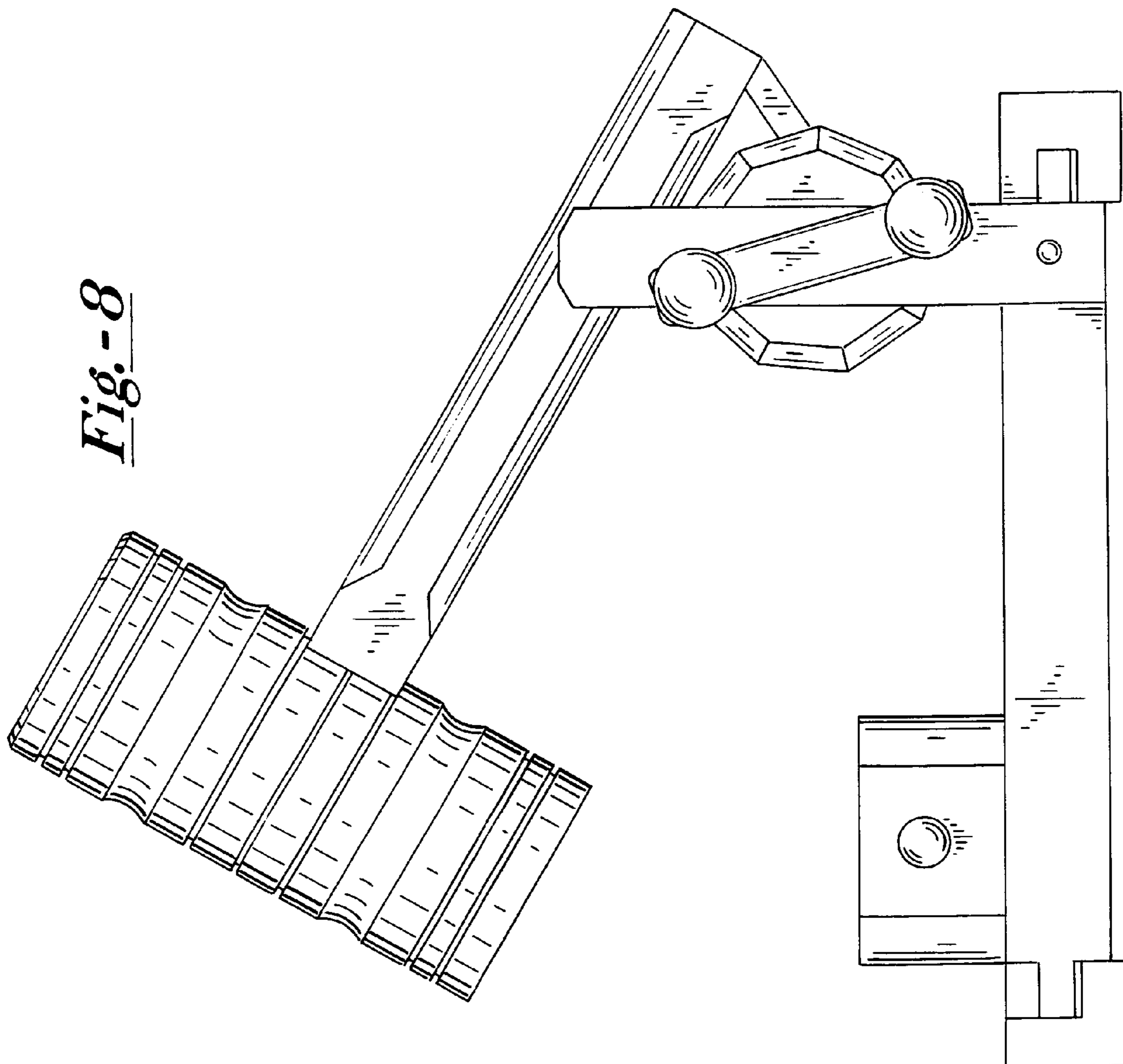


Fig. - 8