



US00D589761S

(12) **United States Design Patent**
Ablo

(10) **Patent No.:** **US D589,761 S**
(45) **Date of Patent:** **** Apr. 7, 2009**

(54) **FOOD MOLD**

D488,079 S * 4/2004 Mastroianni D10/46.3
D518,391 S * 4/2006 McGuyer D10/46.2

(75) Inventor: **Famia E. Ablo**, Orlando, FL (US)

* cited by examiner

(73) Assignee: **Dart Industries Inc.**, Orlando, FL (US)

Primary Examiner—Terry A Wallace

(**) Term: **14 Years**

(74) *Attorney, Agent, or Firm*—John A. Doninger

(21) Appl. No.: **29/291,439**

(57) **CLAIM**

(22) Filed: **Aug. 29, 2007**

The ornamental design for a food mold, as shown and described.

(51) **LOC (9) Cl.** **07-04**

(52) **U.S. Cl.** **D7/677; D10/46.2**

(58) **Field of Classification Search** D7/672–677,
D7/691; D10/46.2, 46.3; 249/117, 122,
249/129, 155, 156, 160; 99/324, 426, 428,
99/439, 440, 442

See application file for complete search history.

DESCRIPTION

FIG. 1 is a top perspective view of a food mold showing my new design;

FIG. 2 is a front view, the rear view being a mirror image thereof;

FIG. 3 is a right side view thereof;

FIG. 4 is a left side view thereof;

FIG. 5 is a top plan view thereof;

FIG. 6 is a bottom plan view thereof; and,

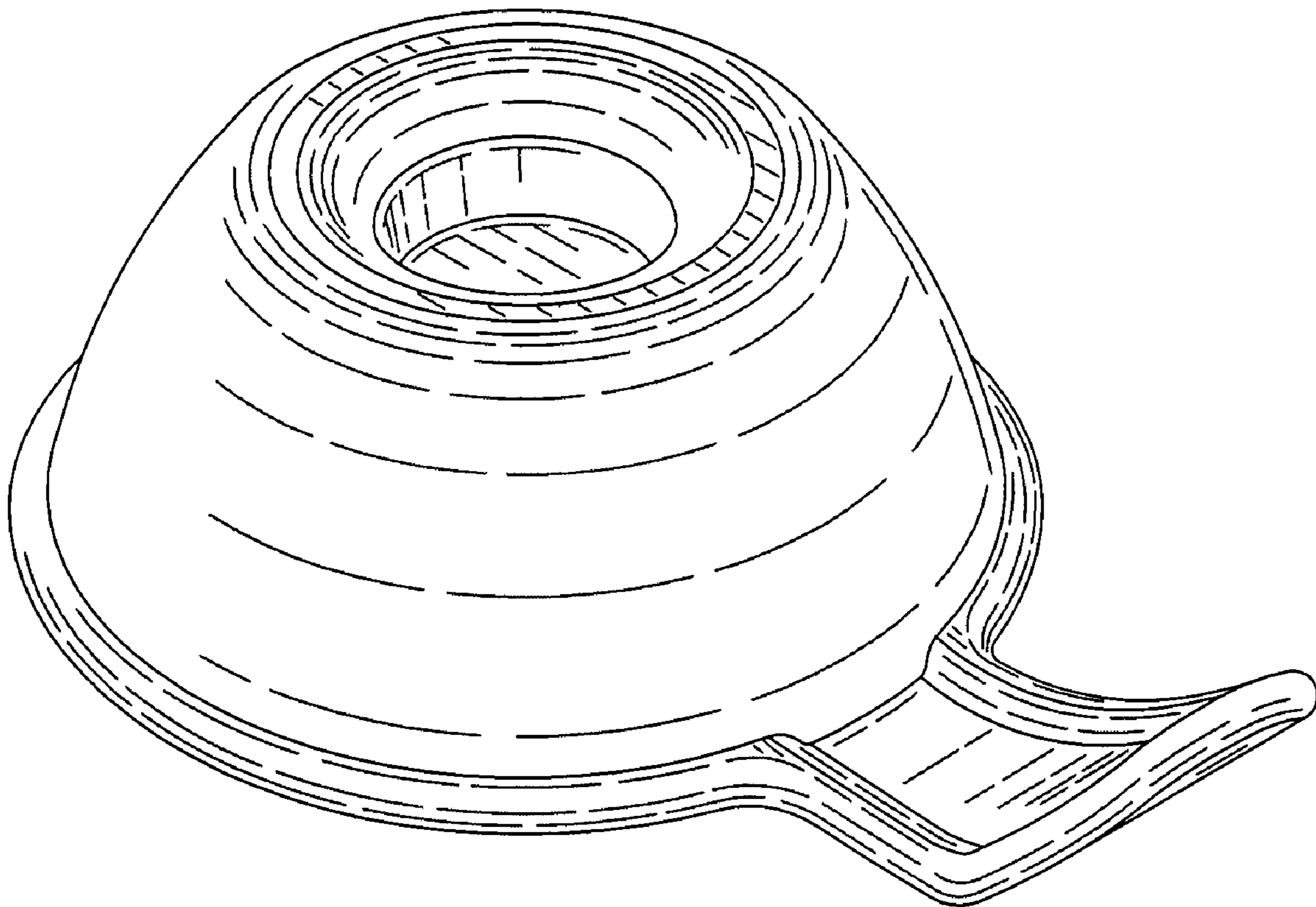
FIG. 7 is a bottom perspective view thereof.

(56) **References Cited**

U.S. PATENT DOCUMENTS

3,191,520 A * 6/1965 Halter 99/428
D219,046 S * 10/1970 Swett D7/675
D394,217 S 5/1998 Laib
D396,011 S * 7/1998 Henriksson D10/46.2
D409,055 S * 5/1999 Johnson et al. D7/677

1 Claim, 4 Drawing Sheets



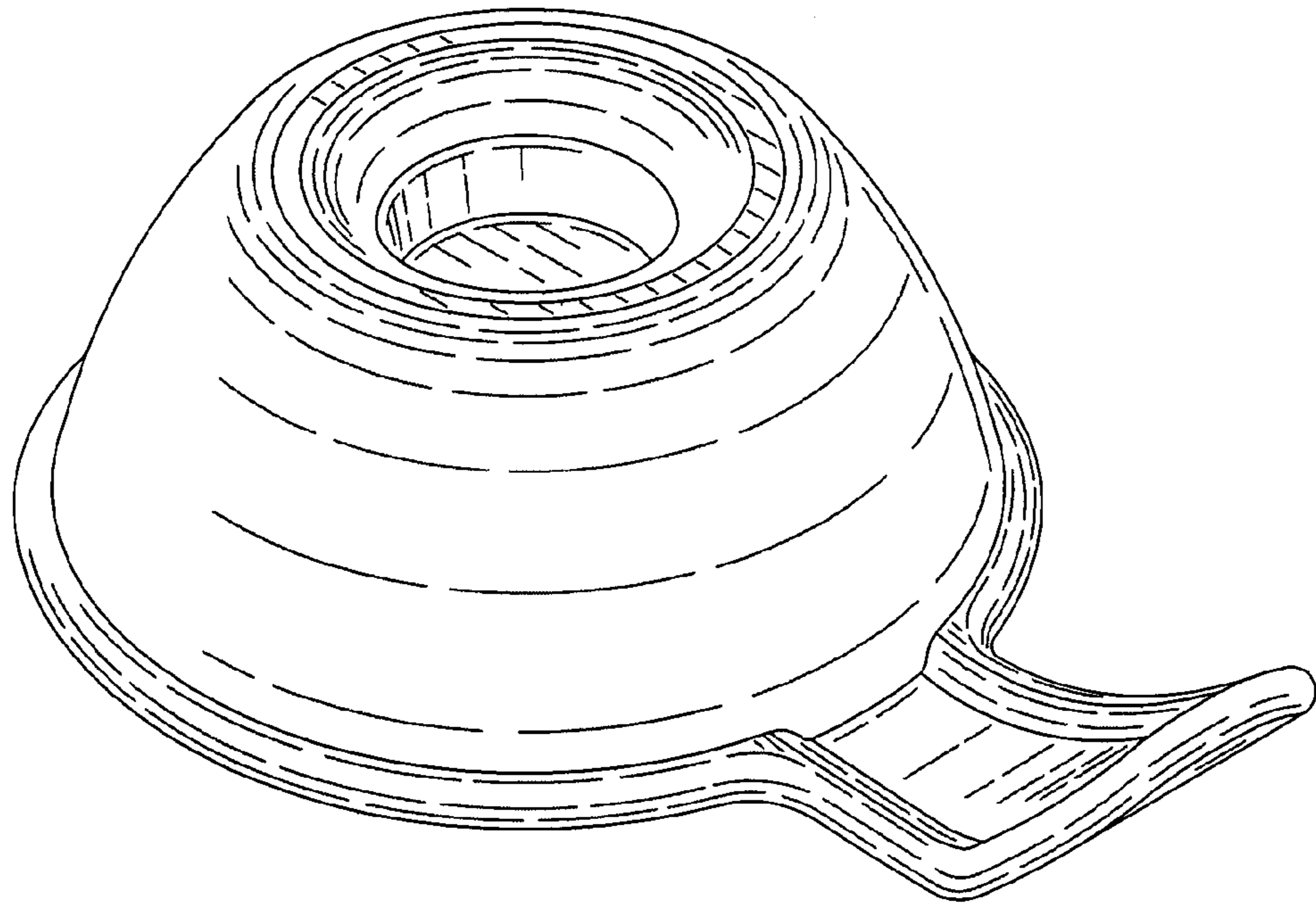


FIG. 1

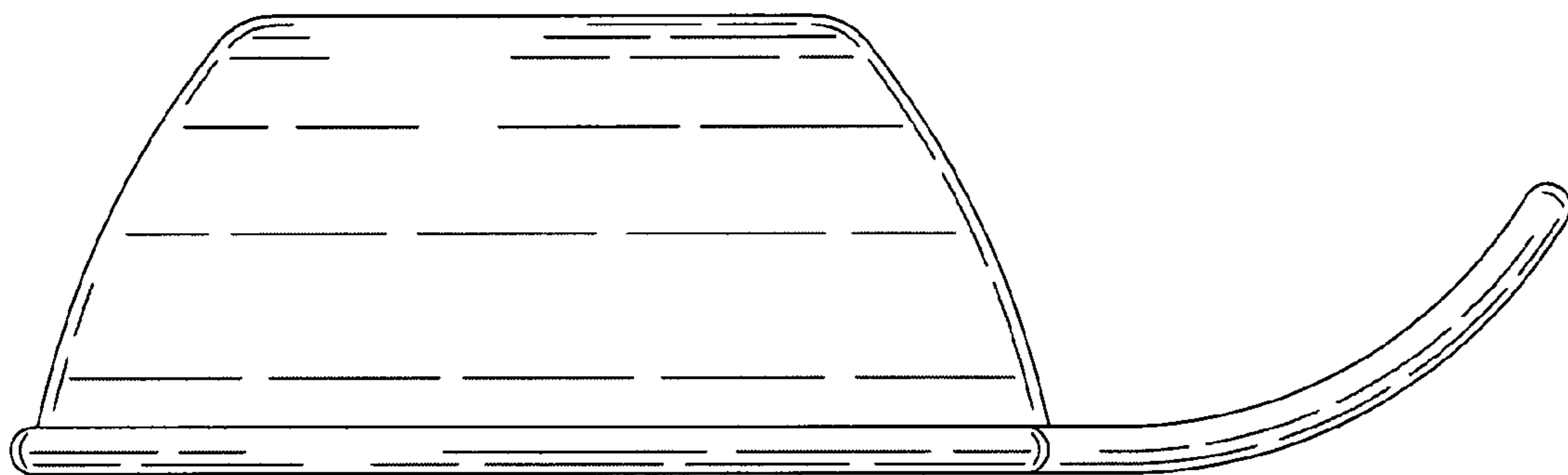


FIG. 2

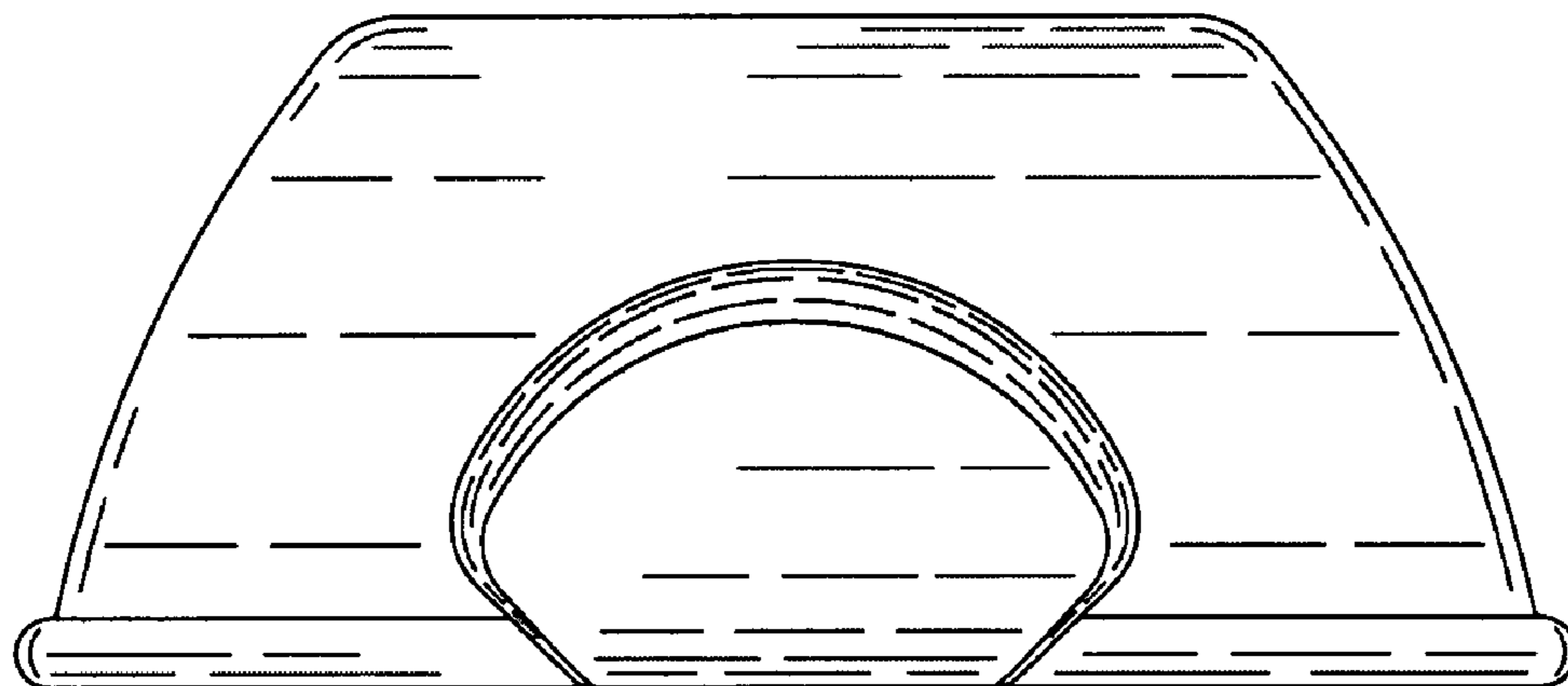


FIG. 3

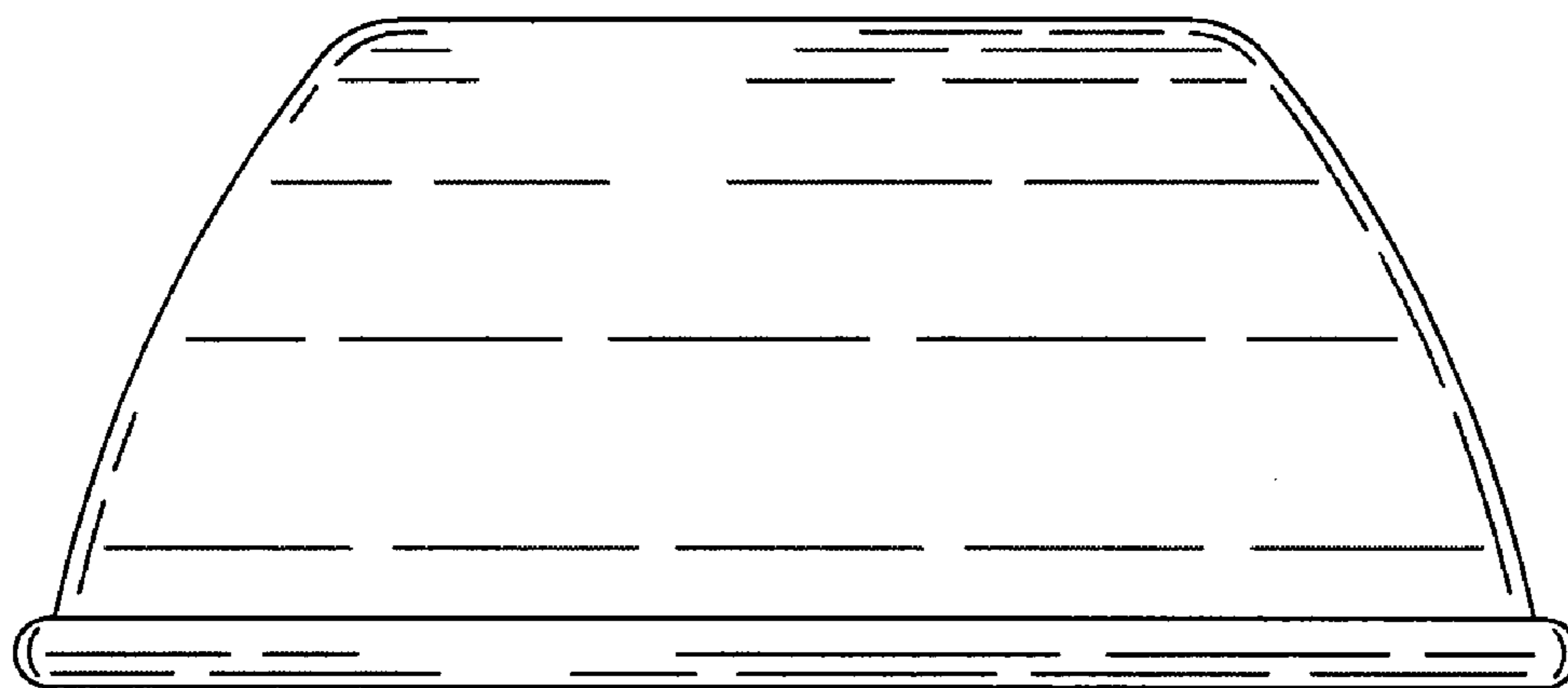


FIG. 4

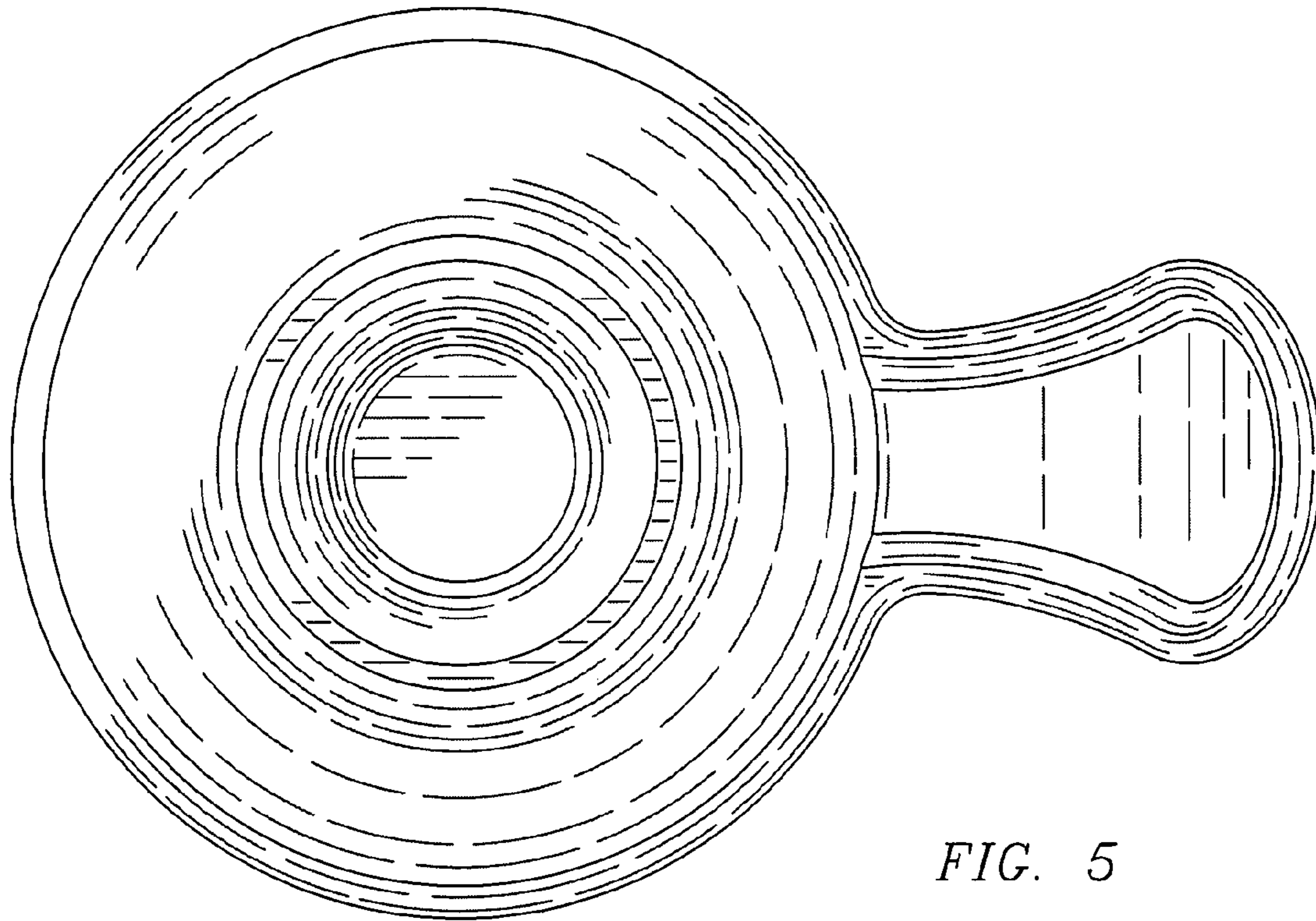


FIG. 5

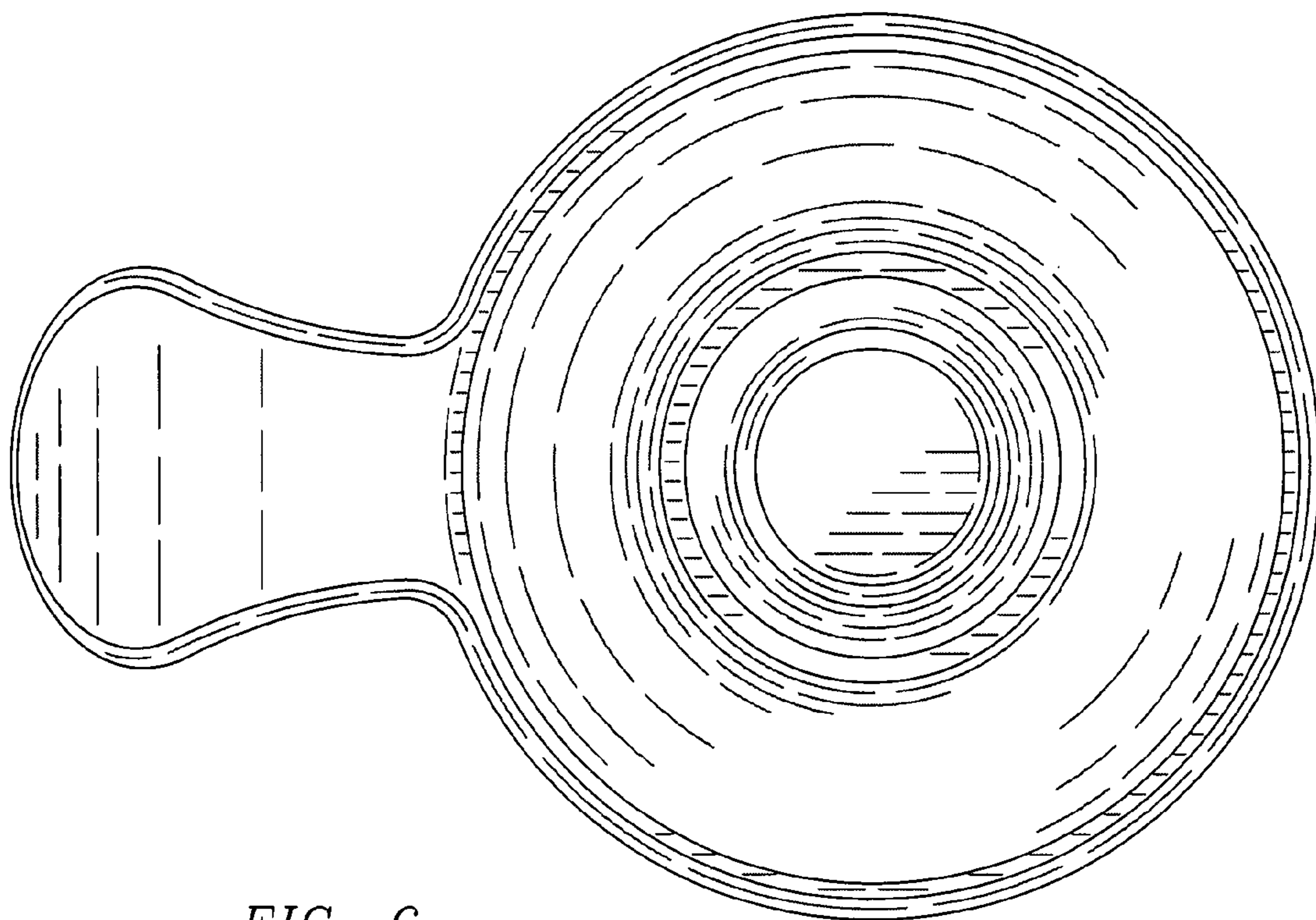


FIG. 6

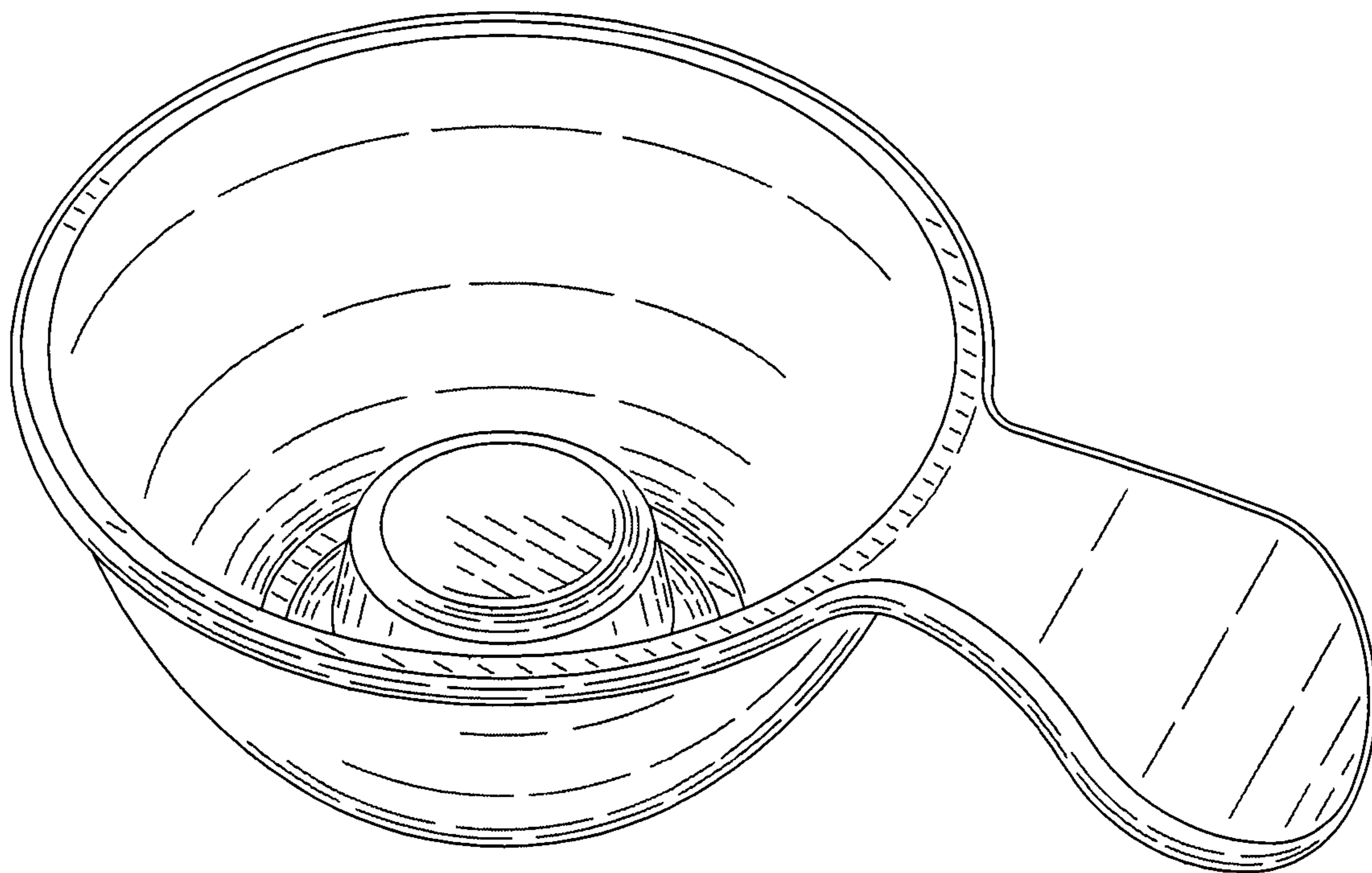


FIG. 7