



US00D589760S

(12) **United States Design Patent**
Mozar et al.

(10) **Patent No.:** **US D589,760 S**
(45) **Date of Patent:** **** Apr. 7, 2009**

(54) **THERMAL SENSING BABY FEEDER**

(76) Inventors: **Limor Mozar**, 705 W. Queen Creek Rd.,
Unit 2216, Chandler, AZ (US) 85248;
Shalom Mozar, 705 W. Queen Creek
Rd., Unit 2216, Chandler, AZ (US)
85248

(**) Term: **14 Years**

(21) Appl. No.: **29/310,935**

(22) Filed: **Sep. 19, 2008**

(51) **LOC (9) Cl.** **07-03**

(52) **U.S. Cl.** **D7/643**

(58) **Field of Classification Search** D7/300,
D7/368, 395, 401.2, 509-513, 642-647, 649-654,
D7/660-669, 675-676, 683, 688-692, 695-696;
D9/436, 547; D17/24; D24/193-199; 30/125,
30/137, 141-143, 147-150, 322-327, 329,
30/340, 342-346; 141/18, 24, 319, 364,
141/380; 206/219-220, 541; 215/11.1-11.6,
215/387, 392, DIG. 5, DIG. 8; 222/91-92,
222/134, 192; 416/70 R

See application file for complete search history.

(56) **References Cited**

U.S. PATENT DOCUMENTS

2,487,274	A *	11/1949	Schaffer	141/380
D181,462	S *	11/1957	Chapman	D9/547
2,837,822	A *	6/1958	Wille	30/125
2,953,170	A *	9/1960	Bush	141/18
D191,387	S *	9/1961	Hansen	D9/436
3,104,032	A *	9/1963	Hansen	222/91
3,259,132	A *	7/1966	Katter	30/324

D221,448	S *	8/1971	Taizo	D17/24
D225,583	S *	12/1972	Julio	D24/197
4,091,965	A *	5/1978	Gebhard	222/192
4,192,360	A *	3/1980	Rodriquez	141/24
D257,821	S *	1/1981	Pike	D7/653
5,305,928	A *	4/1994	Verdaguer	222/192
D349,770	S *	8/1994	Jarnagin	D24/198
5,353,964	A *	10/1994	Liu et al.	222/134
5,462,101	A *	10/1995	Mouchmouchian	141/364
5,556,008	A *	9/1996	Silver et al.	222/192
5,682,931	A *	11/1997	Mouchmouchian	141/319
6,675,482	B1 *	1/2004	Gilbert et al.	30/141
6,802,423	B2 *	10/2004	O'Brien	206/541
7,210,600	B1 *	5/2007	Delio, Jr.	222/92
7,374,046	B1 *	5/2008	O'Brien	206/541

* cited by examiner

Primary Examiner—Caron Veynar

Assistant Examiner—Ricky Pham

(74) *Attorney, Agent, or Firm*—Richard L. Mikesell

(57) **CLAIM**

The ornamental design for a thermal sensing baby feeder, as shown and described.

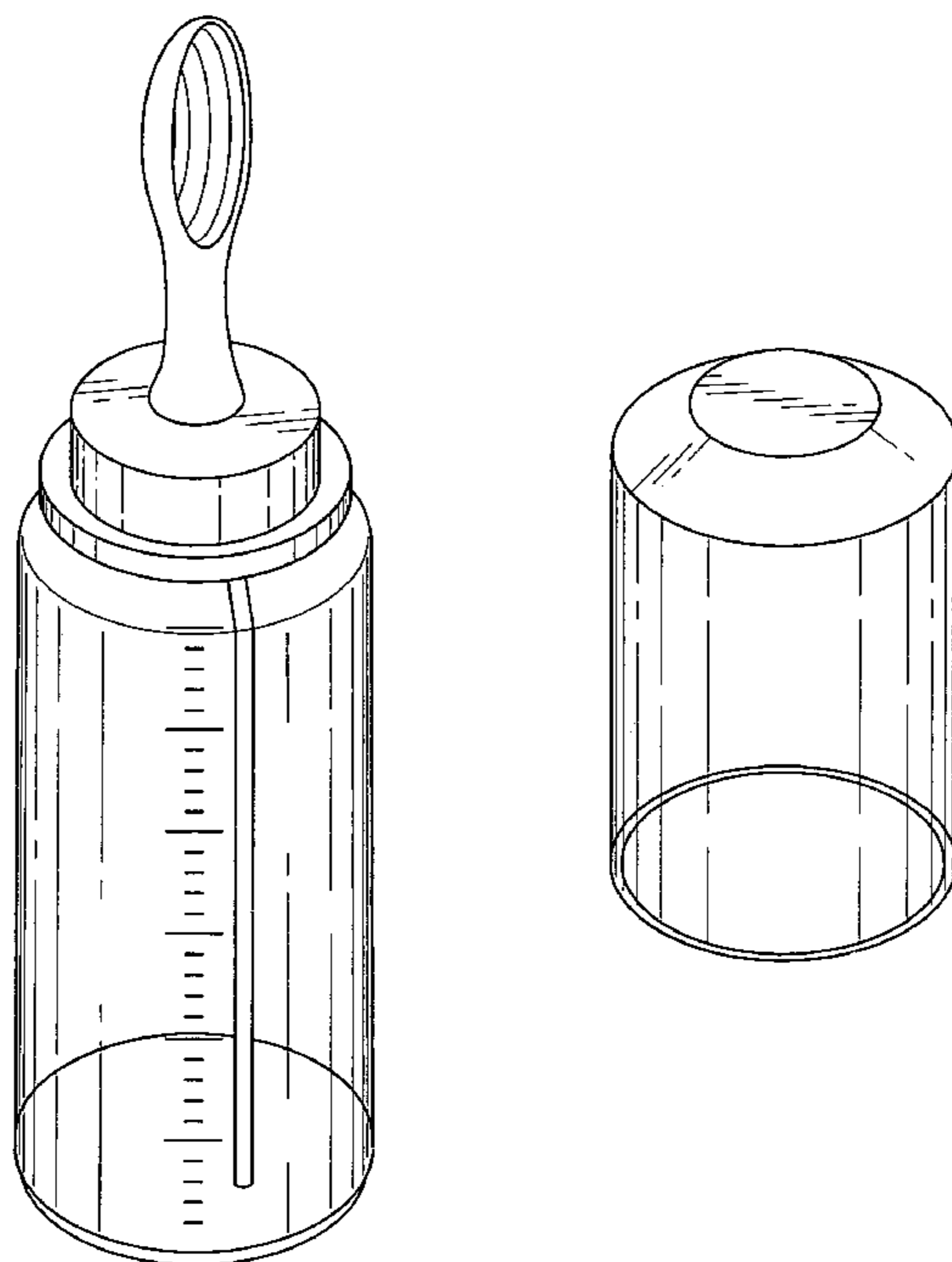
DESCRIPTION

FIG. 1 is a top right perspective view of a thermal sensing baby feeder showing our new design, shown with the cap removed for ease of illustration; and,

FIG. 2 is a top right perspective view of a cap thereof; shown removed from the thermal feeder for completeness of illustration.

The rear is plain and unadorned.

1 Claim, 1 Drawing Sheet



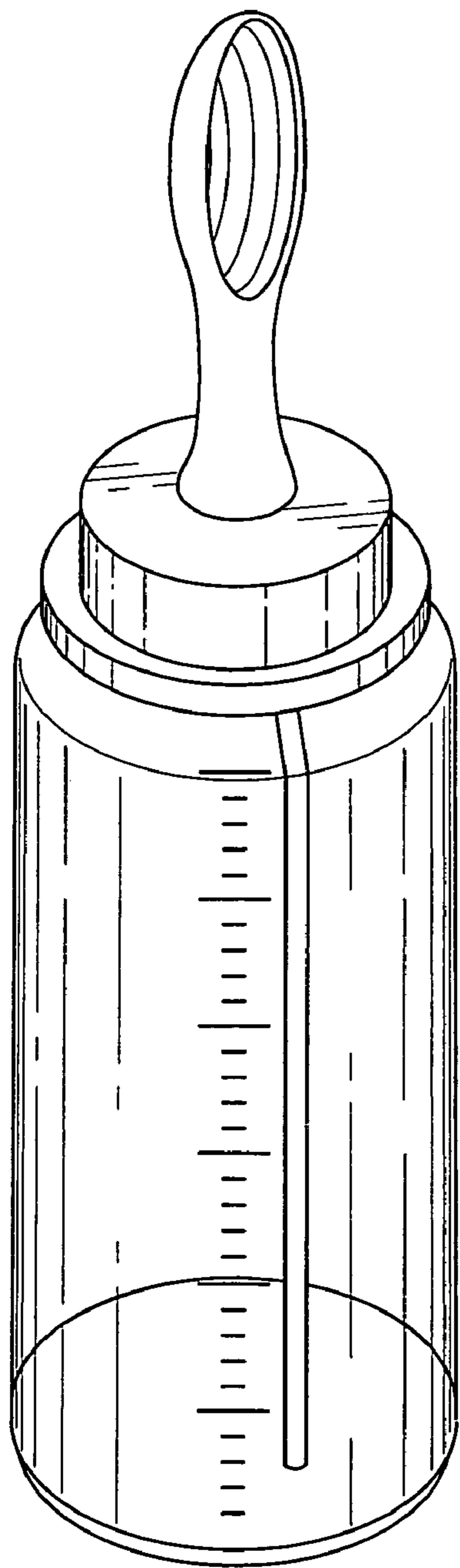


Fig. 1

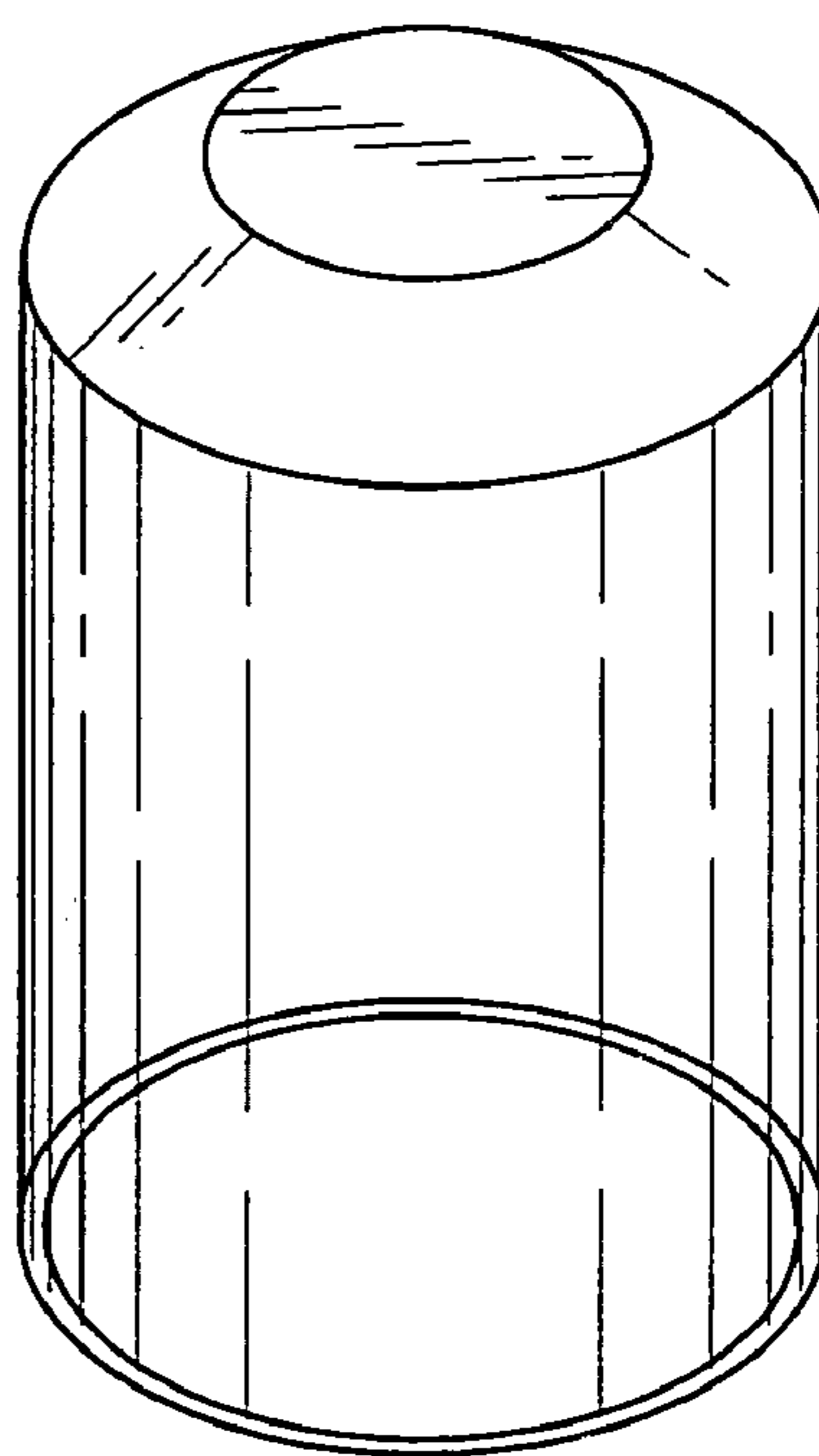


Fig. 2