



US00D589759S

(12) **United States Design Patent**
Ozery et al.

(10) **Patent No.:** **US D589,759 S**

(45) **Date of Patent:** **** Apr. 7, 2009**

(54) **COMBINED CONTAINER AND LID FOR FOOD PRODUCTS**

D428,310 S * 7/2000 Zettle et al. D7/629
D443,798 S * 6/2001 Tucker et al. D7/629
D513,376 S * 1/2006 Shannon D7/629

(75) Inventors: **Guy Ozery**, Toronto (CA); **Alon Ozery**, Toronto (CA)

* cited by examiner

(73) Assignee: **Ozery Holdings Inc**, Toronto, Ontario (CA)

Primary Examiner—Terry A Wallace

(74) *Attorney, Agent, or Firm*—Conley Rose, P.C.

(**) Term: **14 Years**

(57) **CLAIM**

(21) Appl. No.: **29/276,095**

The applicants claim the ornamental design for a combined container and lid for food products, as shown.

(22) Filed: **Jan. 15, 2007**

DESCRIPTION

(30) **Foreign Application Priority Data**

Nov. 16, 2006 (CA) 118283

FIGS. 1 is a perspective view of a combined container and lid for food products;

(51) **LOC (9) Cl.** **07-07**

FIG. 2 is a perspective view of the design illustrating the lid separated from the container;

(52) **U.S. Cl.** **D7/629; D9/432**

FIG. 3 is a left side elevation view of the design;

(58) **Field of Classification Search** D7/601, D7/602, 629, 538–542; D9/761, 430–432; 220/780–805, 669–675, 4.21, 4.23, 4.25

FIG. 4 is a top plan view of the design;

See application file for complete search history.

FIG. 5 is a front end view of the design;

FIG. 6 is a rear end view of the design;

FIG. 7 is a bottom plan view of the design;

(56) **References Cited**

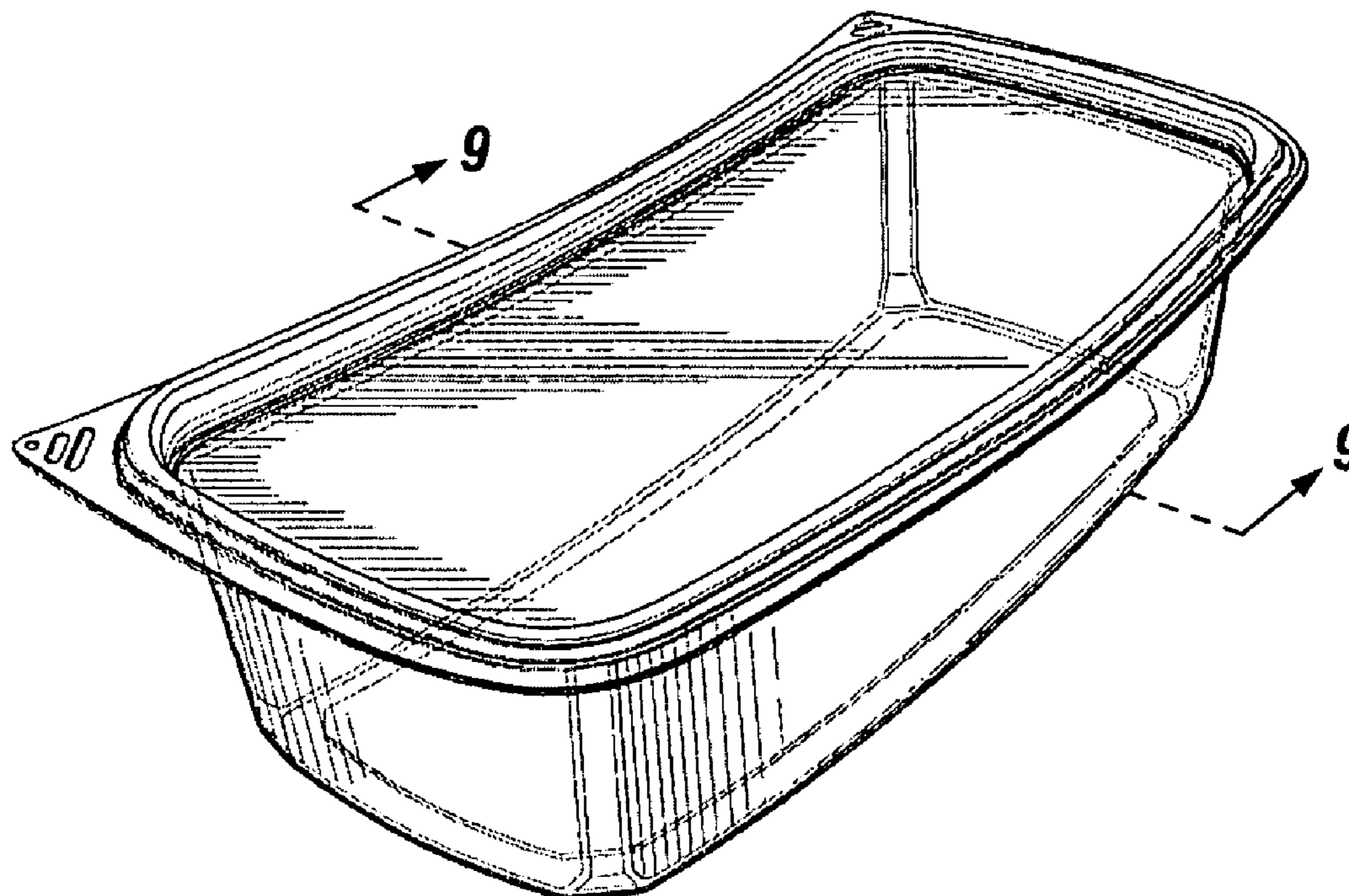
U.S. PATENT DOCUMENTS

D246,560 S * 12/1977 Beauchamp et al. D7/629
4,787,527 A * 11/1988 Monetti 220/801
D412,439 S * 8/1999 Cormack D9/425

FIG. 8 is a right side elevation view of the design; and,

FIG. 9 is a vertical cross-section view of the container of the design.

1 Claim, 4 Drawing Sheets



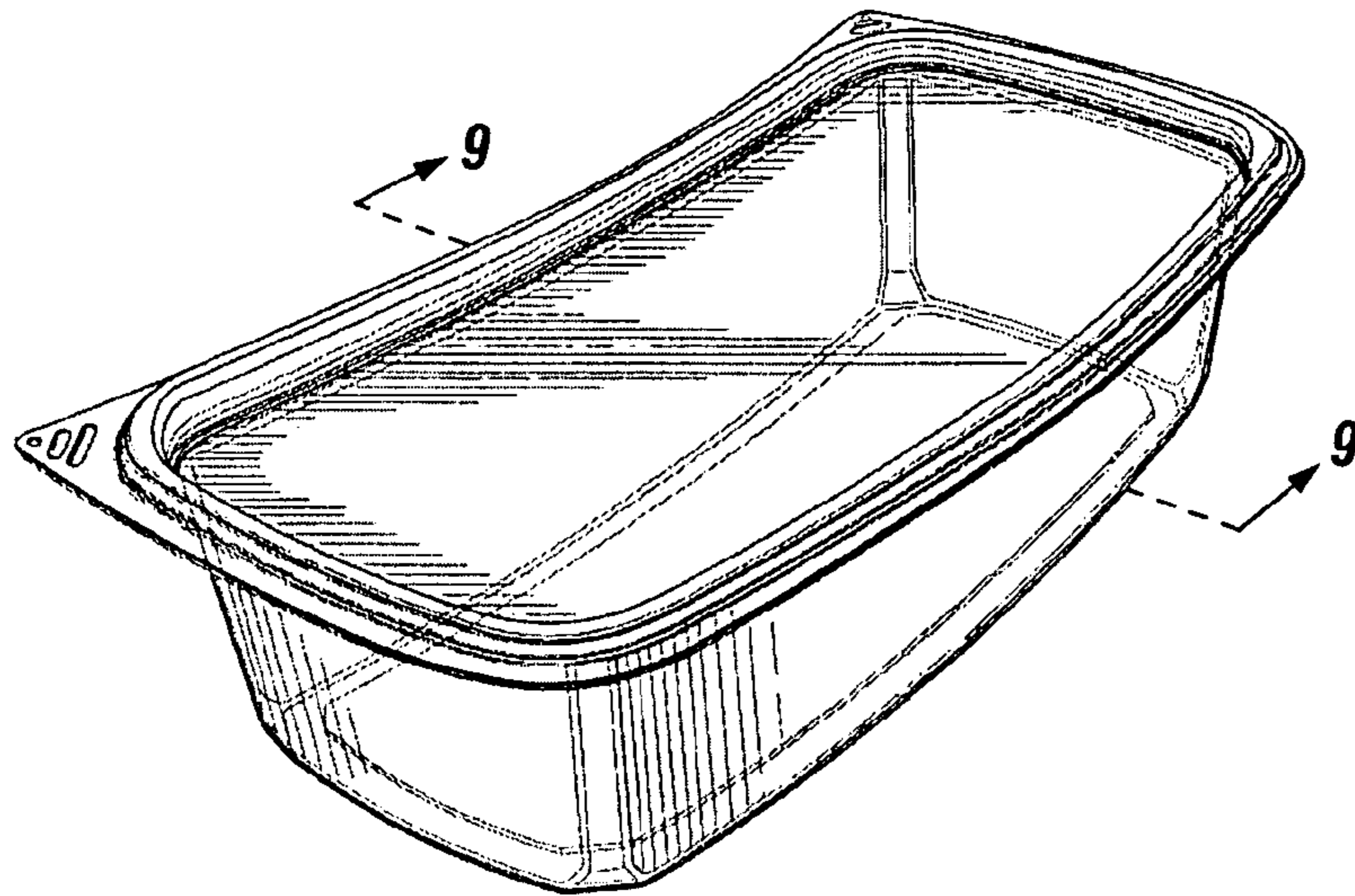


FIG. 1

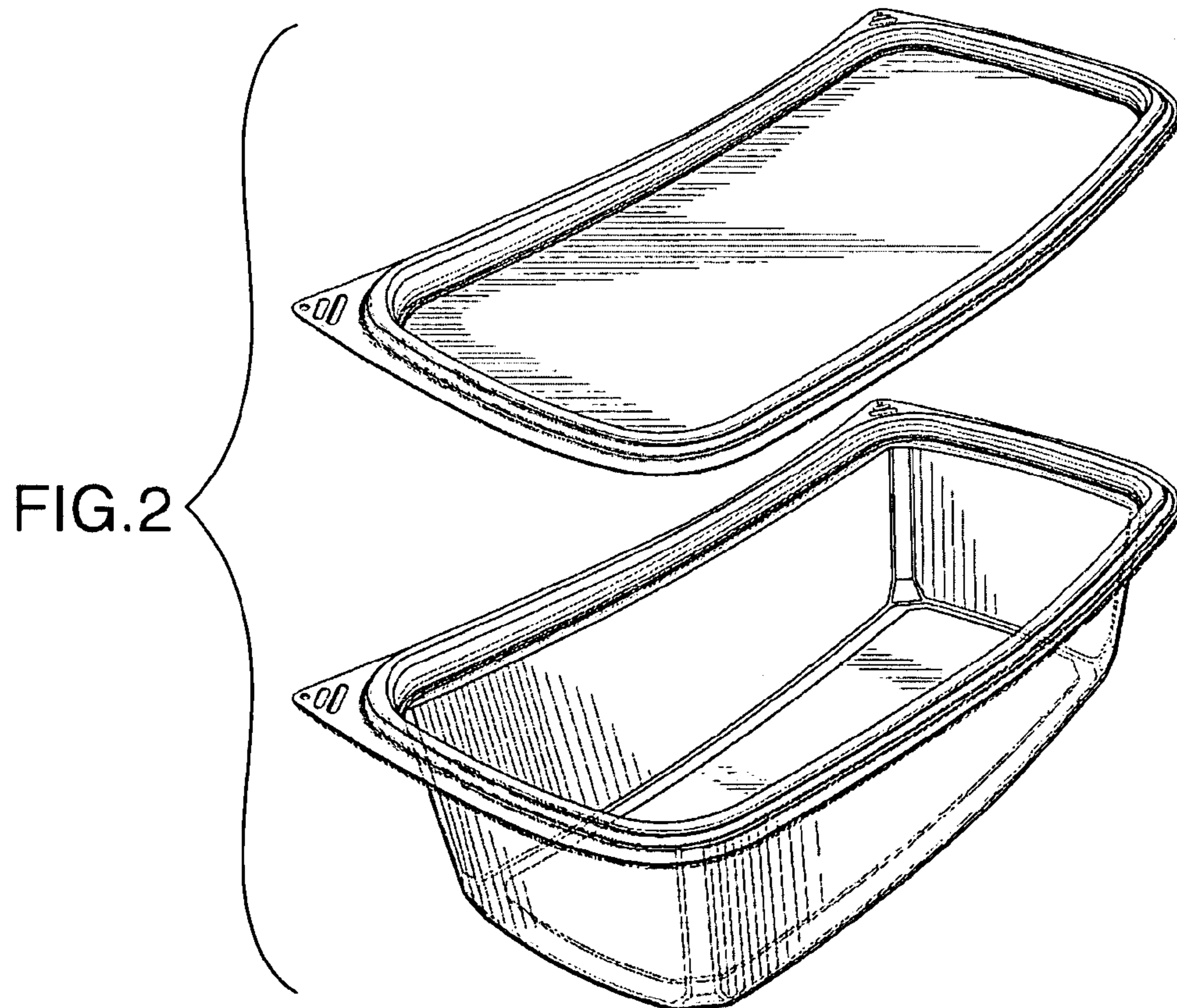


FIG. 2

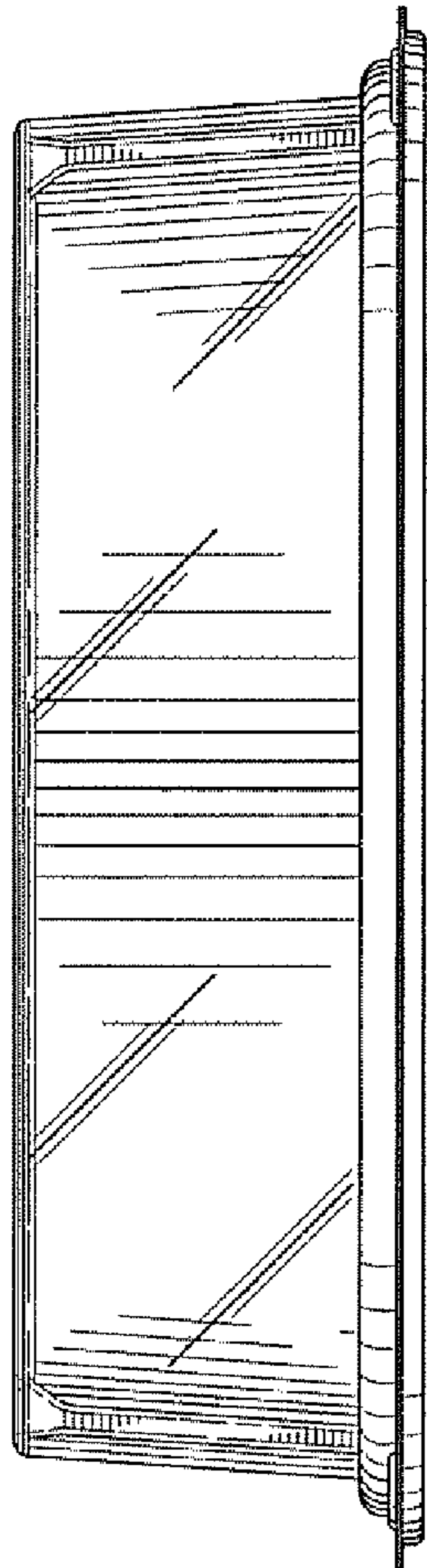


FIG. 3

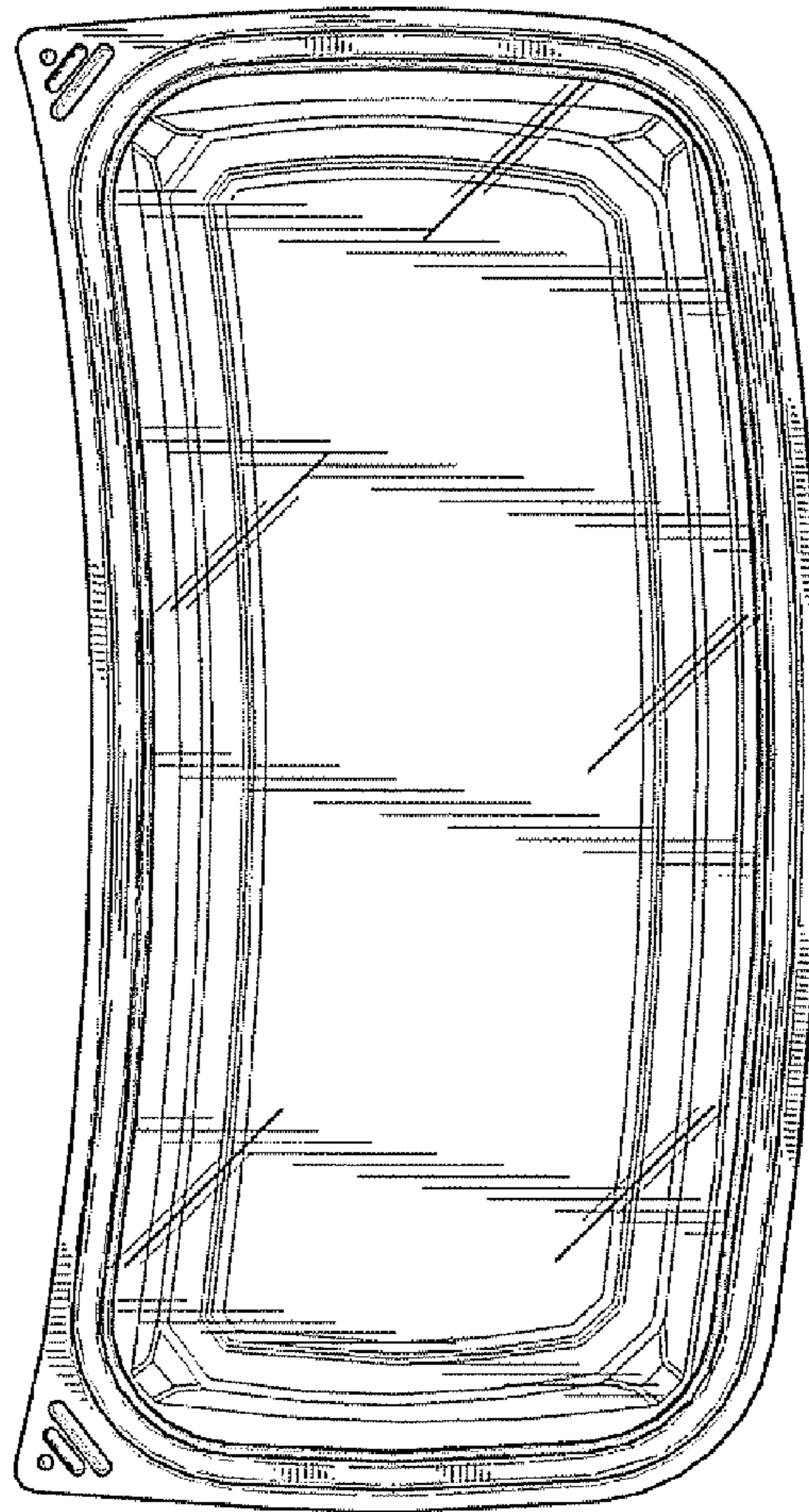


FIG. 4

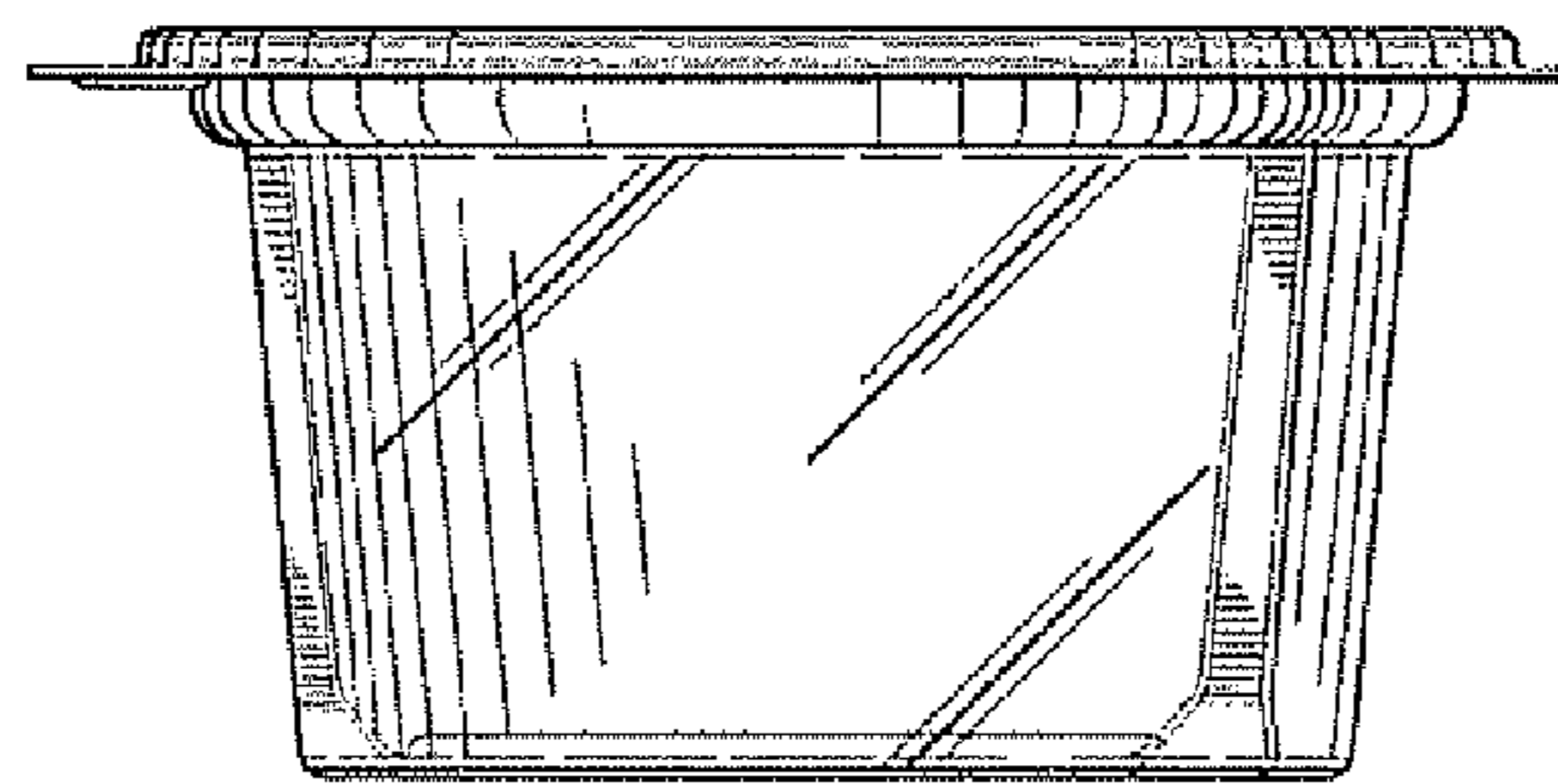


FIG. 5

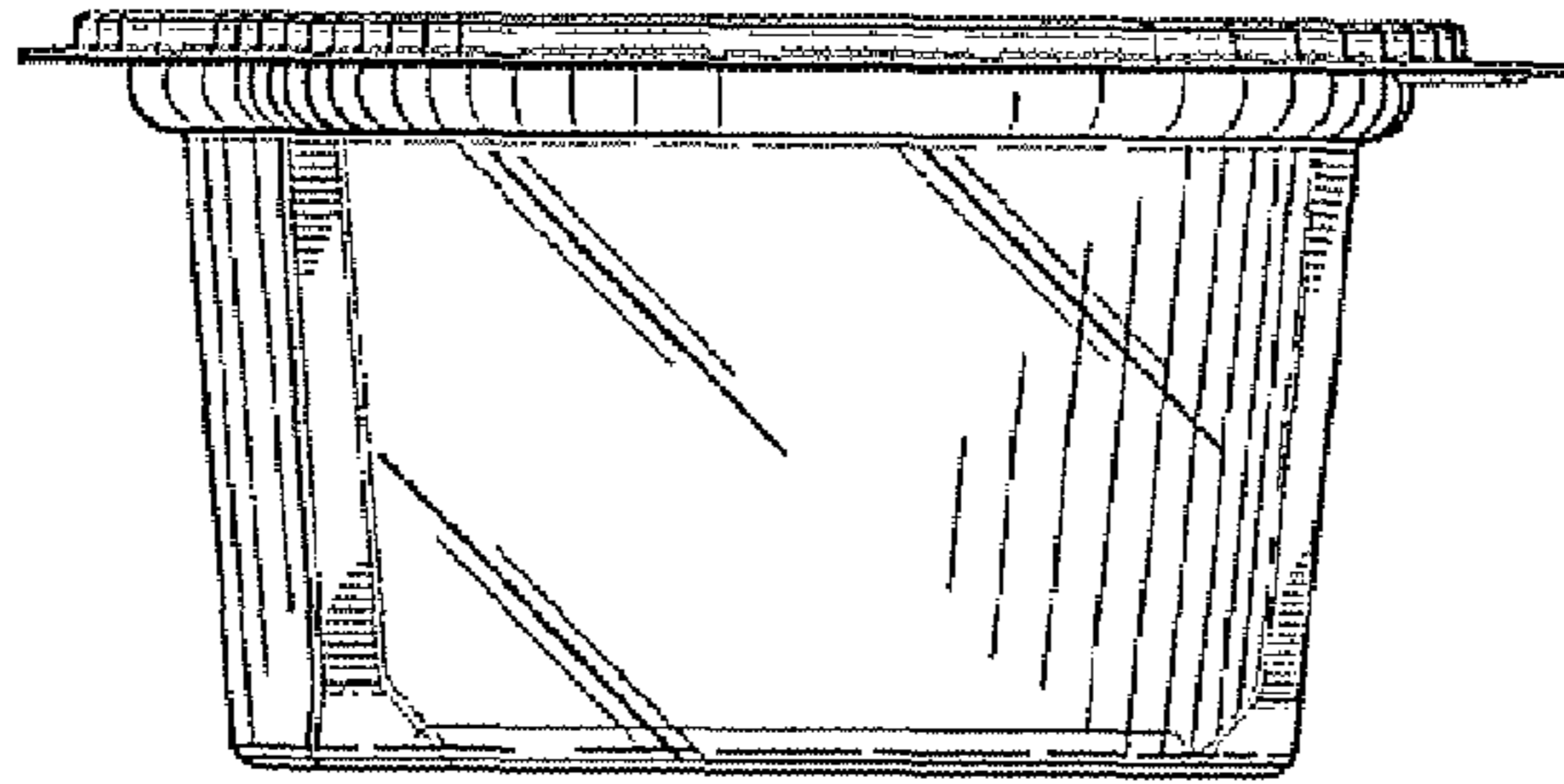


FIG. 6

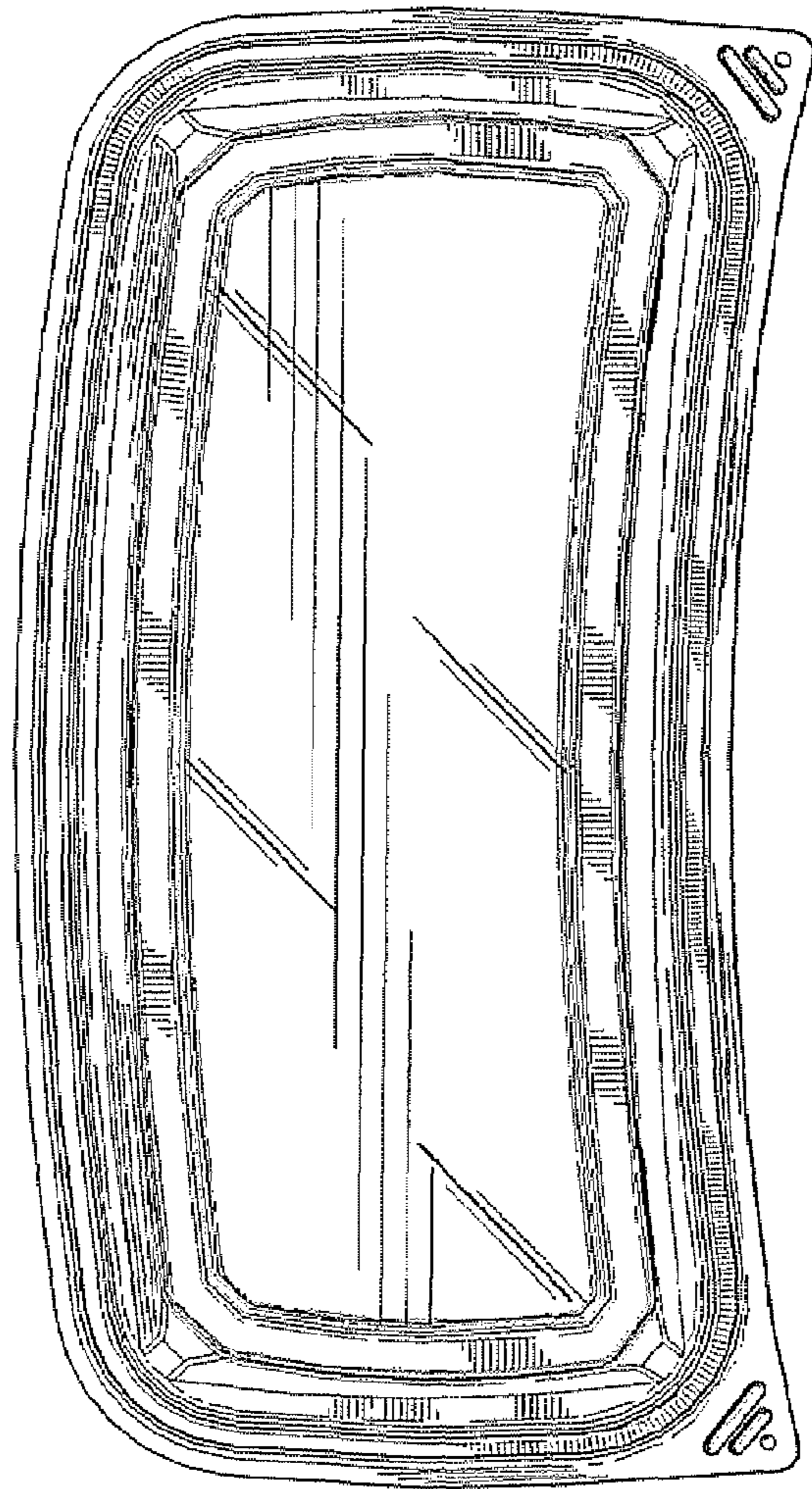


FIG. 7

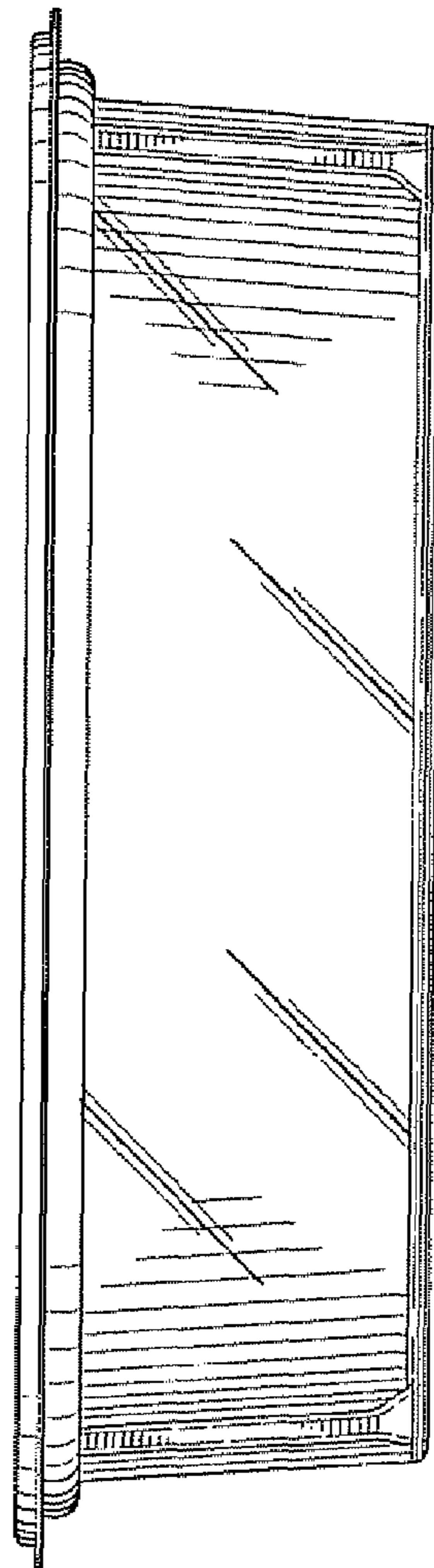


FIG. 8

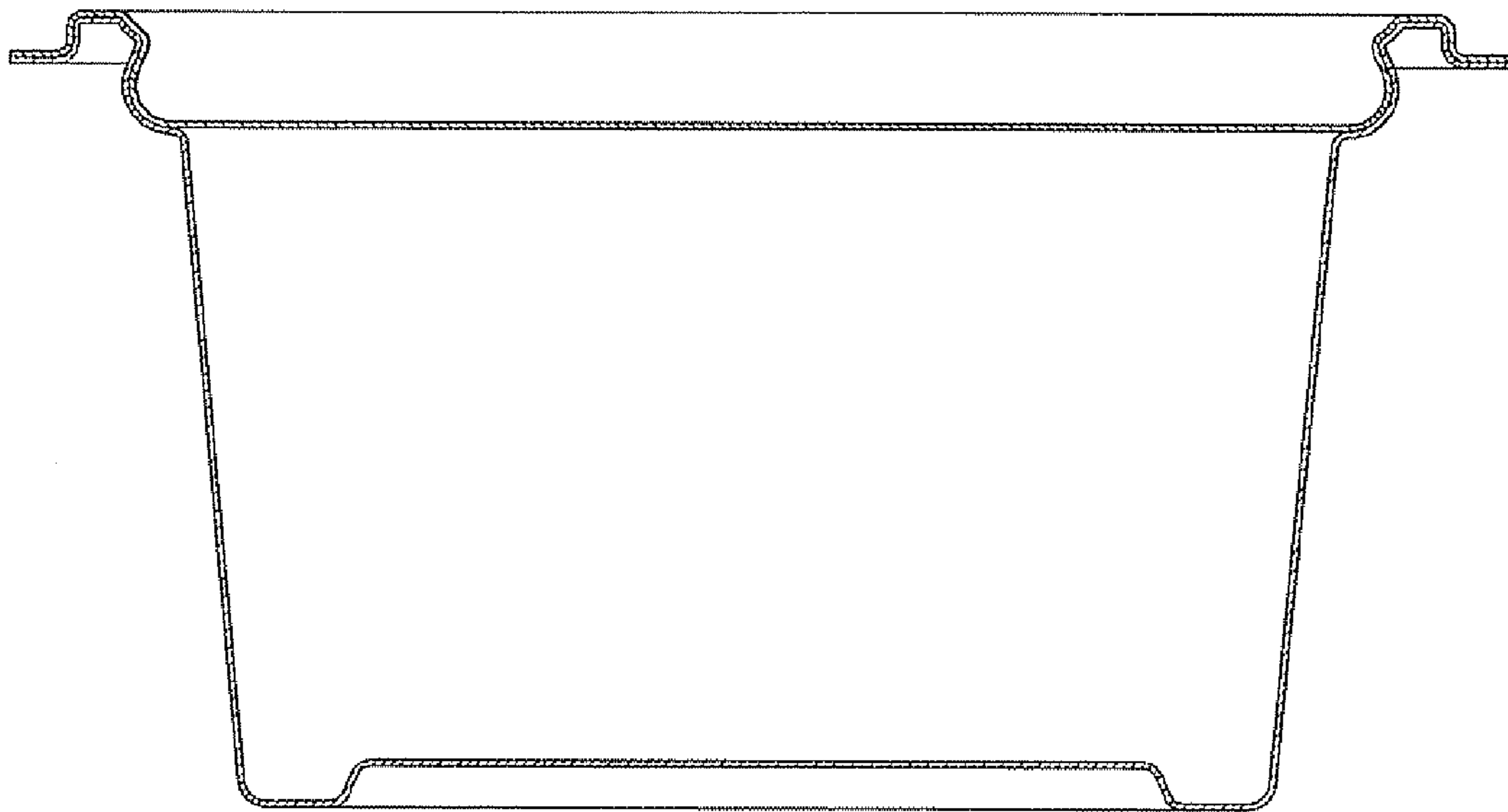


FIG.9