



US00D589749S

(12) **United States Design Patent**  
**Leavens et al.**

(10) **Patent No.:** **US D589,749 S**  
(45) **Date of Patent:** **\*\* Apr. 7, 2009**

(54) **GAS BARBEQUE BURNER**

(75) Inventors: **Benjamin John Leavens**, Woollahra (AU); **Phillip John Garvey**, Darling Point (AU)

(73) Assignee: **Shriro Australia Pty Limited** (AU)

(\*\*) Term: **14 Years**

(21) Appl. No.: **29/303,998**

(22) Filed: **Feb. 22, 2008**

(30) **Foreign Application Priority Data**

Sep. 17, 2007 (AU) ..... 19772/2007

(51) **LOC (9) Cl.** ..... **07-02**

(52) **U.S. Cl.** ..... **D7/407**

(58) **Field of Classification Search** ..... D7/332, D7/334-337, 402-405, 407, 391, 392.1; 126/25 R, 29-30, 25 A, 25 AA, 9 R, 38, 37 R, 126/41 R, 40, 39 E, 39 H, 50, 276, 268, 519, 126/506; 99/481-482, 646 R, 39 N, 39 J, 99/39 K; 137/883, 875; 431/343  
See application file for complete search history.

(56) **References Cited**

**U.S. PATENT DOCUMENTS**

D255,314 S \* 6/1980 Huff ..... D7/407  
D368,829 S \* 4/1996 Giebel et al. .... D7/407  
D468,963 S \* 1/2003 Pai ..... D7/407  
D470,721 S \* 2/2003 Home  
D534,767 S \* 1/2007 Tseng ..... D7/407  
D544,753 S \* 6/2007 Tseng ..... D7/407  
D548,007 S \* 8/2007 Chung ..... D7/407  
D553,430 S \* 10/2007 Williams et al. .... D7/407

2005/0133018 A1\* 6/2005 Spangrud ..... 126/41 R  
2008/0017185 A1\* 1/2008 Lee ..... 126/39 K  
2008/0210217 A1\* 9/2008 Offredi ..... 126/39 E

\* cited by examiner

*Primary Examiner*—Ruth McInroy

(74) *Attorney, Agent, or Firm*—Patterson, Thuente, Skaar & Christensen, PA

(57) **CLAIM**

The ornamental design for a gas barbeque burner, as shown and described.

**DESCRIPTION**

FIG. 1 is a bottom perspective view of a gas barbeque burner according to the invention;

FIG. 2 is a top perspective view of the gas barbeque burner of FIG. 1;

FIG. 3 is an exploded top perspective view of the gas barbeque burner of FIG. 1;

FIG. 4 is a right side elevation view of the gas barbeque burner of FIG. 1;

FIG. 5 is a left side elevation view of the gas barbeque burner of FIG. 1;

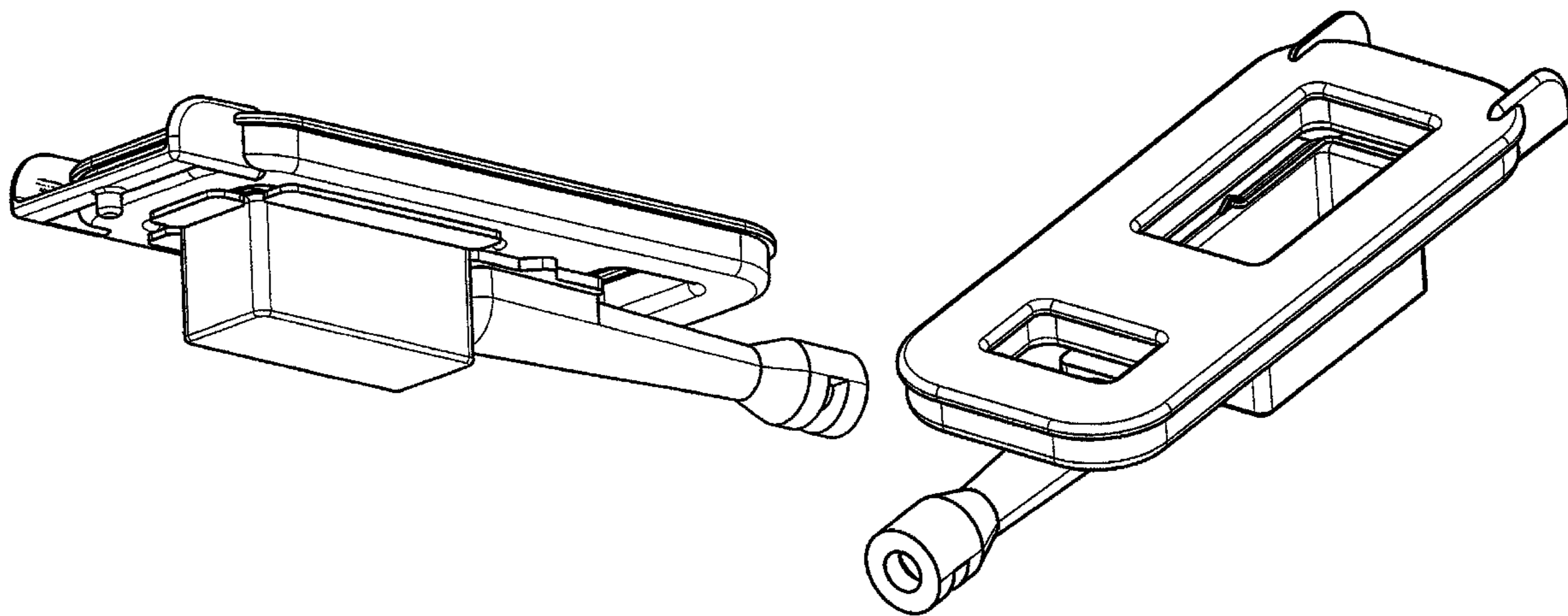
FIG. 6 is a front elevation view of the gas barbeque burner of FIG. 1;

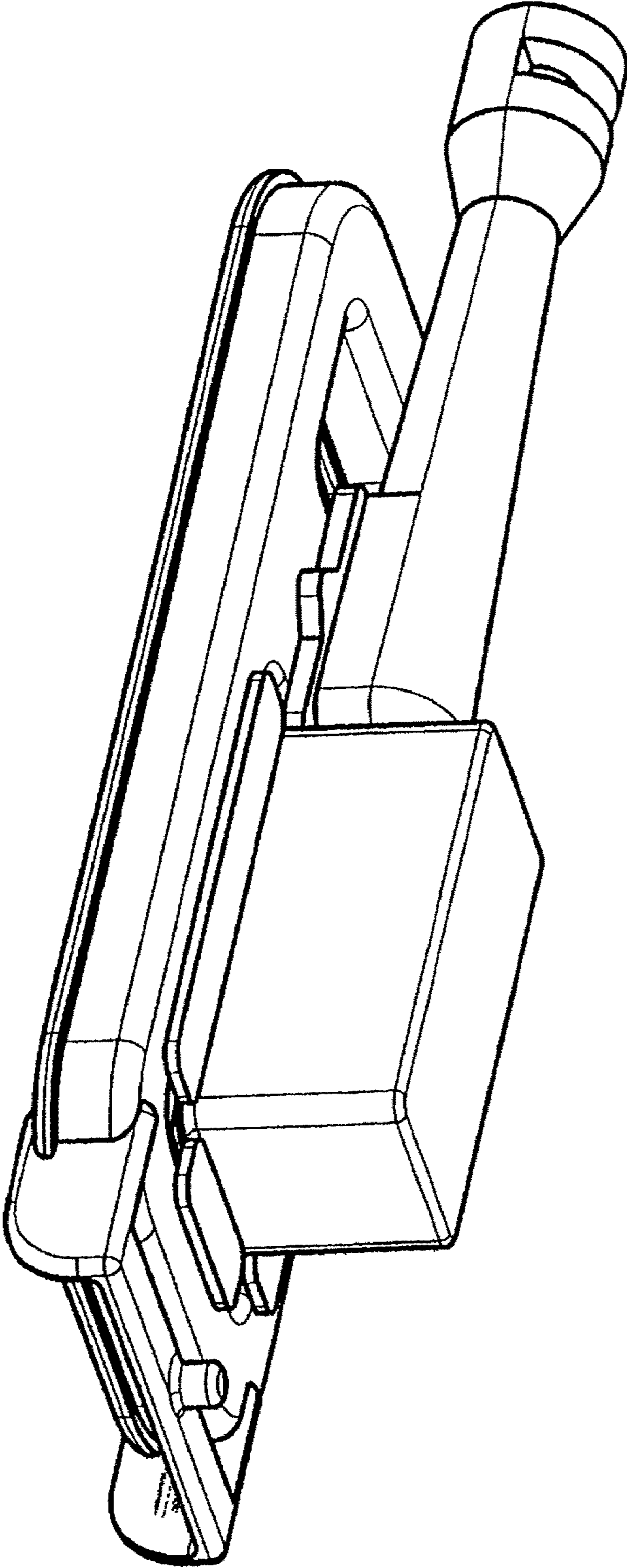
FIG. 7 is a rear elevation view of the gas barbeque burner of FIG. 1;

FIG. 8 is a top plan view of the gas barbeque burner of FIG. 1; and,

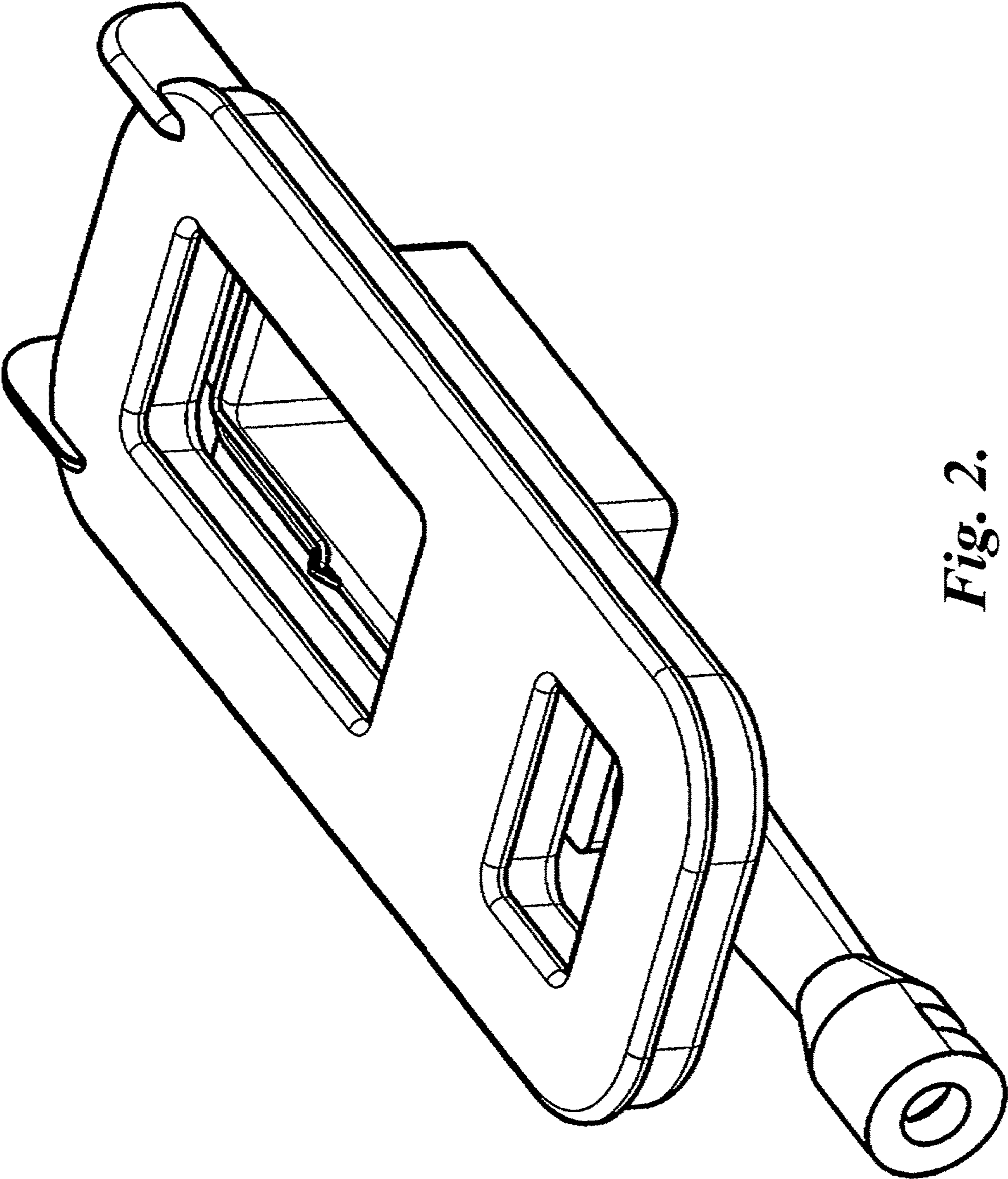
FIG. 9 is a bottom plan view of the gas barbeque burner of FIG. 1.

**1 Claim, 8 Drawing Sheets**

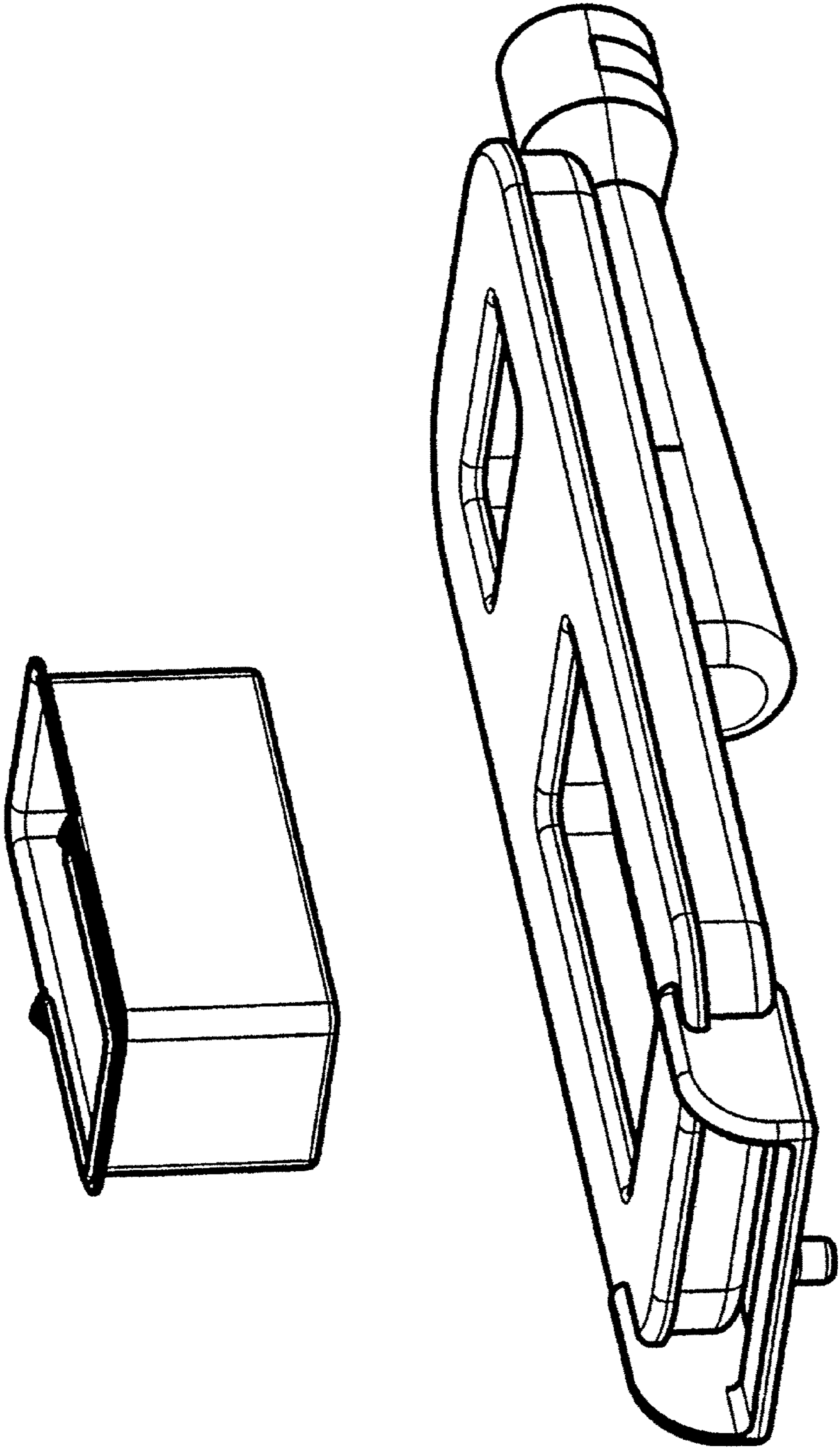




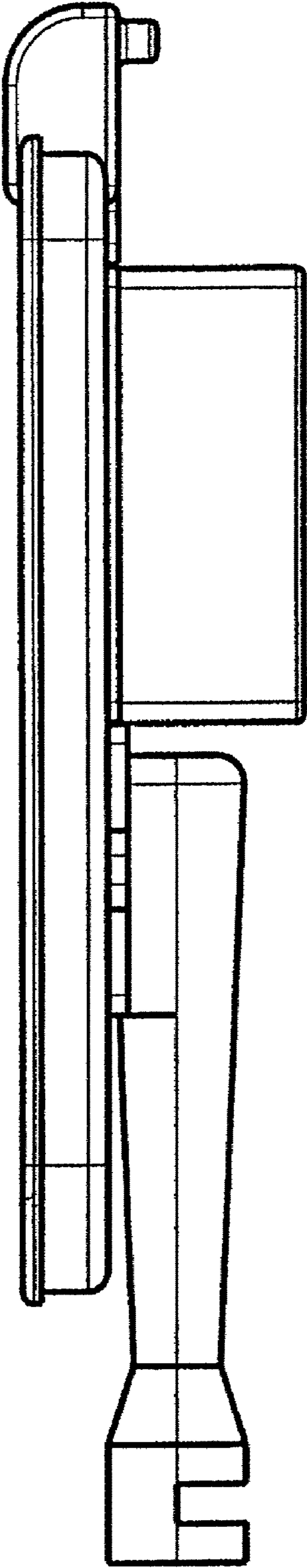
*Fig. 1.*



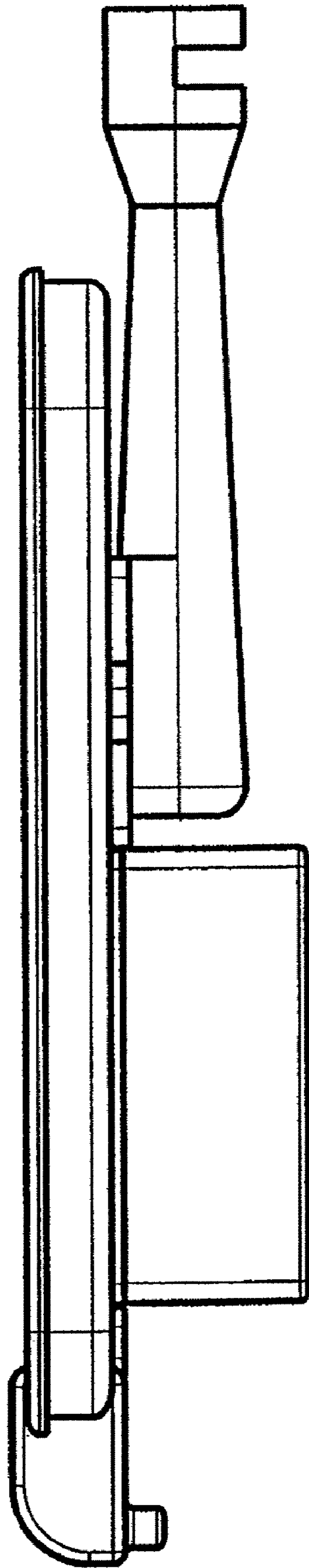
*Fig. 2.*



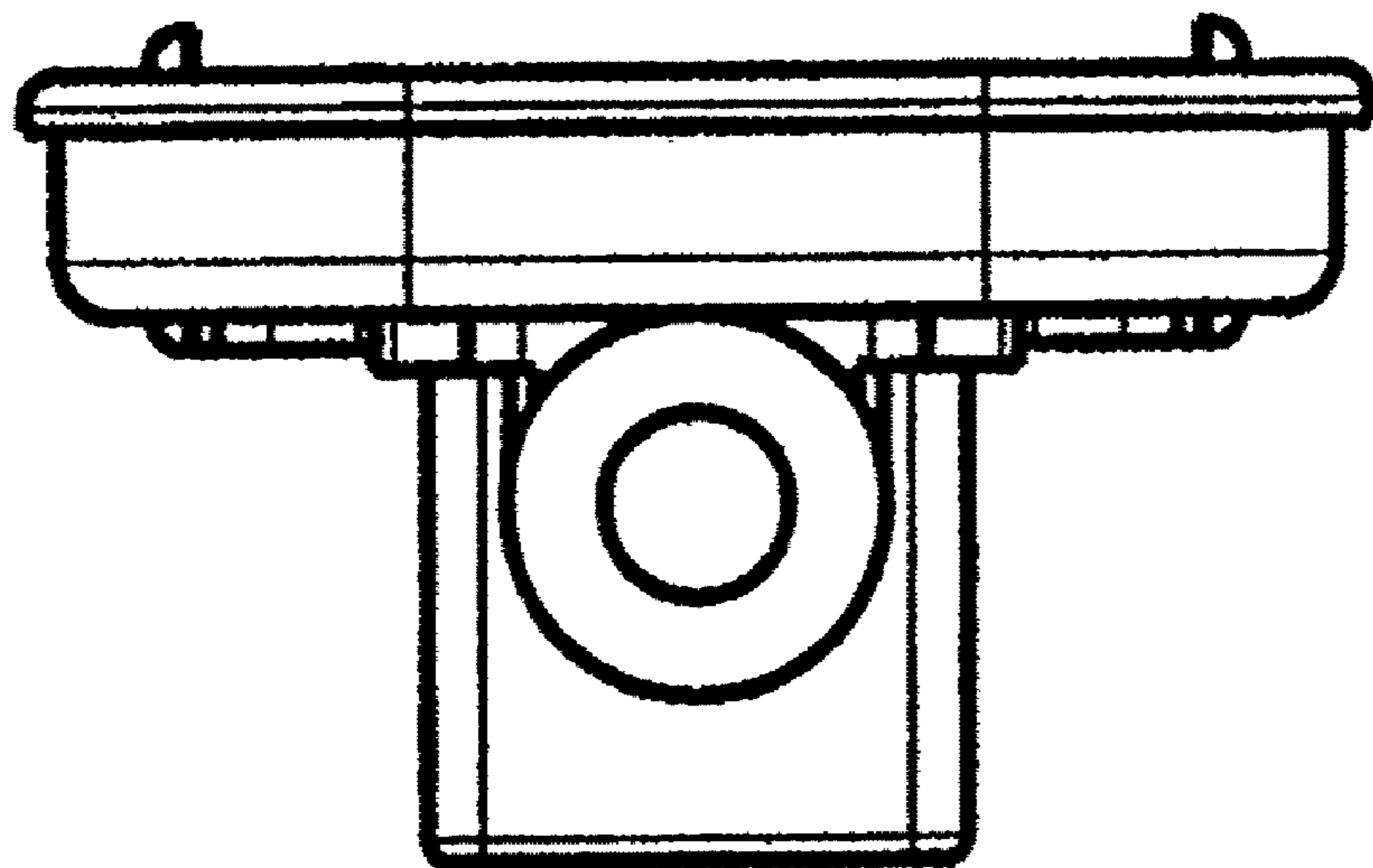
*Fig. 3.*



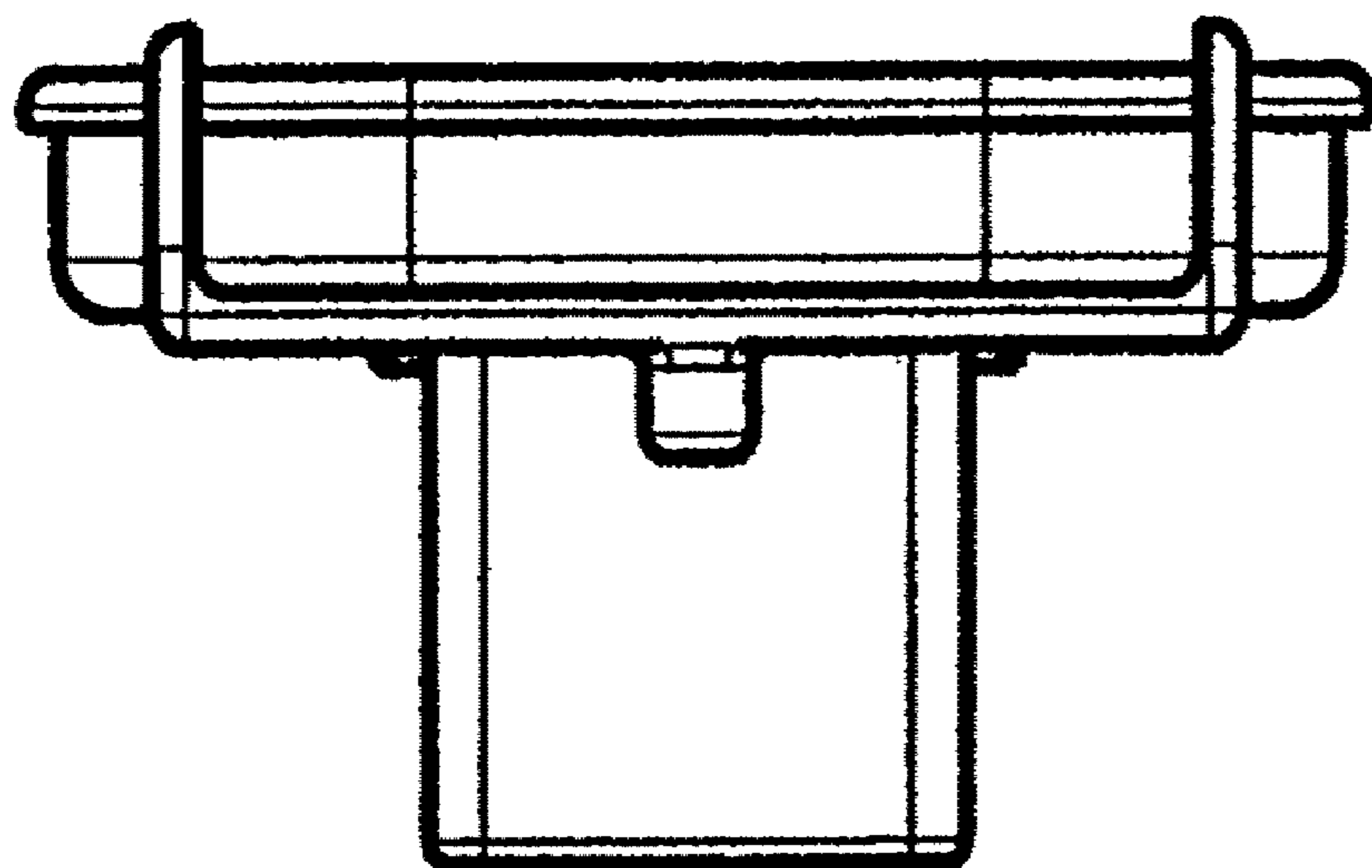
*Fig. 4.*



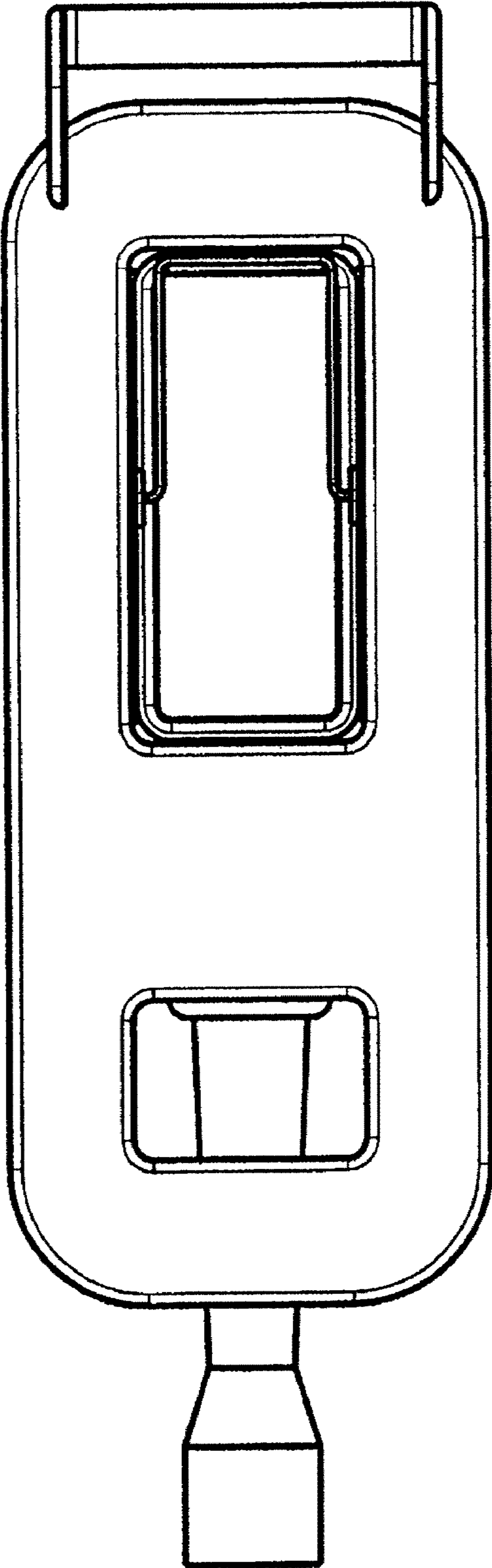
*Fig. 5.*



*Fig. 6.*

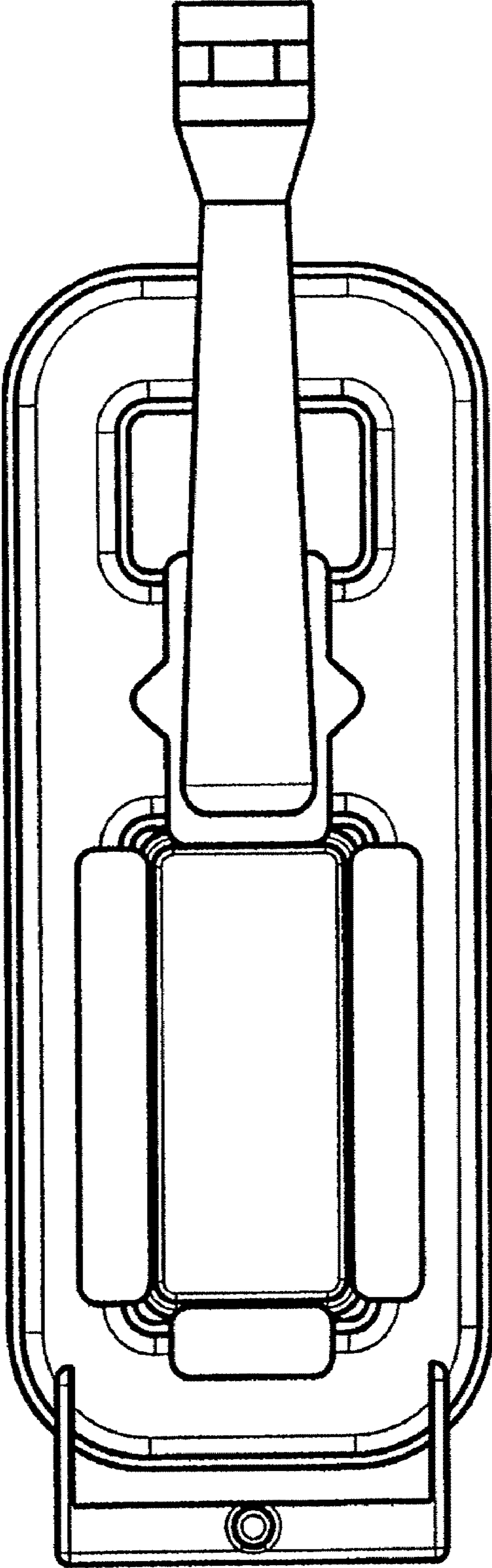


*Fig. 7.*



*Fig. 8.*





*Fig. 9.*