



US00D589746S

(12) **United States Design Patent**
Rae

(10) **Patent No.:** **US D589,746 S**

(45) **Date of Patent:** **** Apr. 7, 2009**

(54) **ELONGATED COOKWARE HANDLE**

(75) Inventor: **Robert A Rae**, Las Vegas, NV (US)

(73) Assignee: **Meyer Intellectual Properties Limited**
(VG)

(**) Term: **14 Years**

(21) Appl. No.: **29/324,553**

(22) Filed: **Sep. 15, 2008**

(51) **LOC (9) Cl.** **07-02**

(52) **U.S. Cl.** **D7/395**

(58) **Field of Classification Search** D7/354–361,
D7/393–395; D8/107, 300, 303, 307; D4/138,
D4/129; 16/421, 430, 431, 110.1, 407; 220/573.1–573.5,
220/752, 753, 755, 756, 759, 771, 912
See application file for complete search history.

(56) **References Cited**

U.S. PATENT DOCUMENTS

3,272,547	A *	9/1966	Pryce	220/759
D233,001	S *	10/1974	Greger	D7/395
D482,567	S	11/2003	Demers		
D482,568	S	11/2003	Demers et al.		
D494,007	S	8/2004	Rae		
D501,357	S	2/2005	Rae		
D518,331	S	4/2006	Rae		

D555,418	S *	11/2007	Cheng	D7/354
D555,973	S	11/2007	Rae		
D561,527	S *	2/2008	Giannone	D7/395

* cited by examiner

Primary Examiner—Holly H Baynham

Assistant Examiner—Cynthia M Chin

(74) *Attorney, Agent, or Firm*—Edward S. Sherman

(57) **CLAIM**

The ornamental design for a elongated cookware handle, as shown and described.

DESCRIPTION

FIG. 1 is a top perspective view from above the “elongated cookware handle”, showing my new design;

FIG. 2 is a top plan view thereof;

FIG. 3 is a front elevational view thereof;

FIG. 4 is a side elevational view thereof;

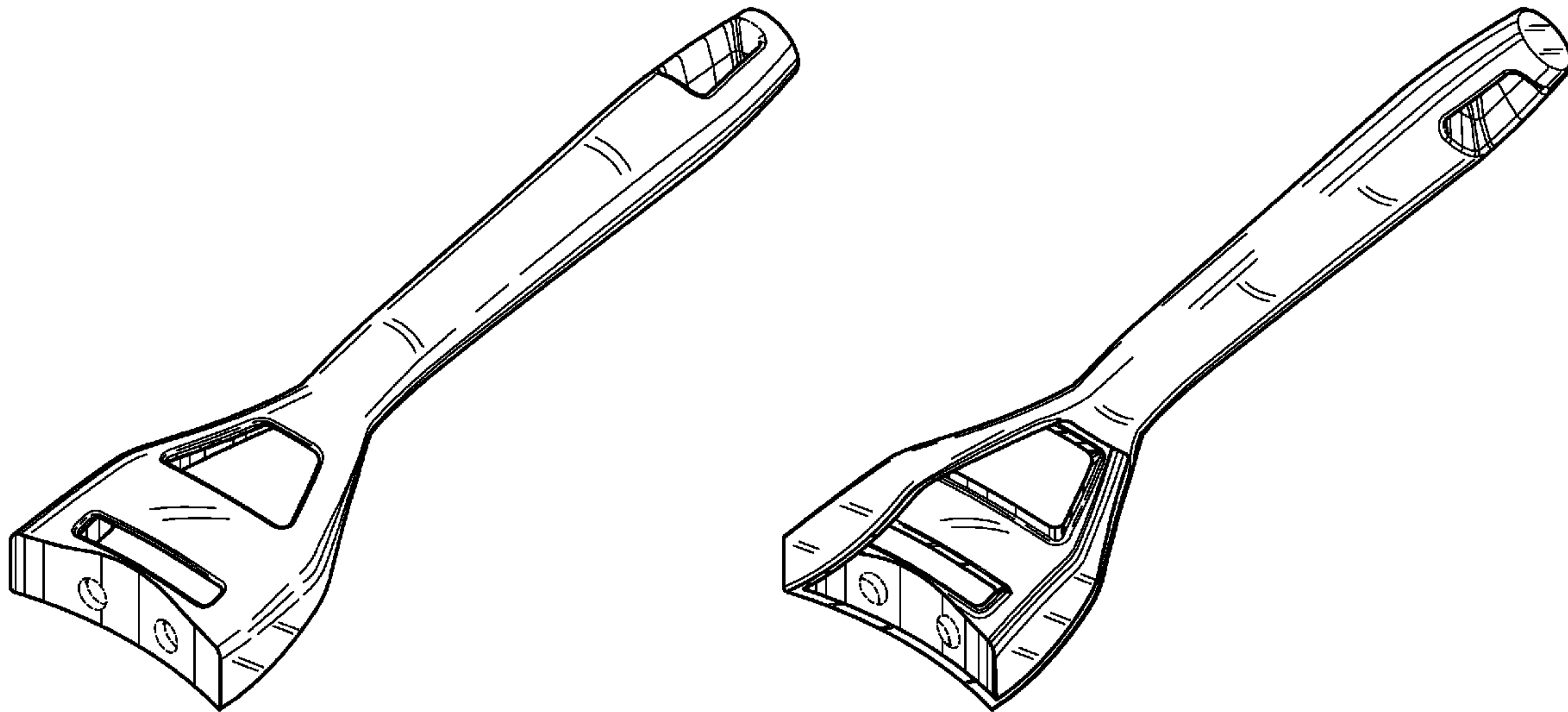
FIG. 5 is a bottom plan view thereof;

FIG. 6 is a back elevation view thereof; and,

FIG. 7 is a perspective view from below.

The broken lines in FIGS. 1, 3, 6, and 7 are for illustrative purposes only, depicting the environment of the new design, forming no part thereof as claimed.

1 Claim, 2 Drawing Sheets



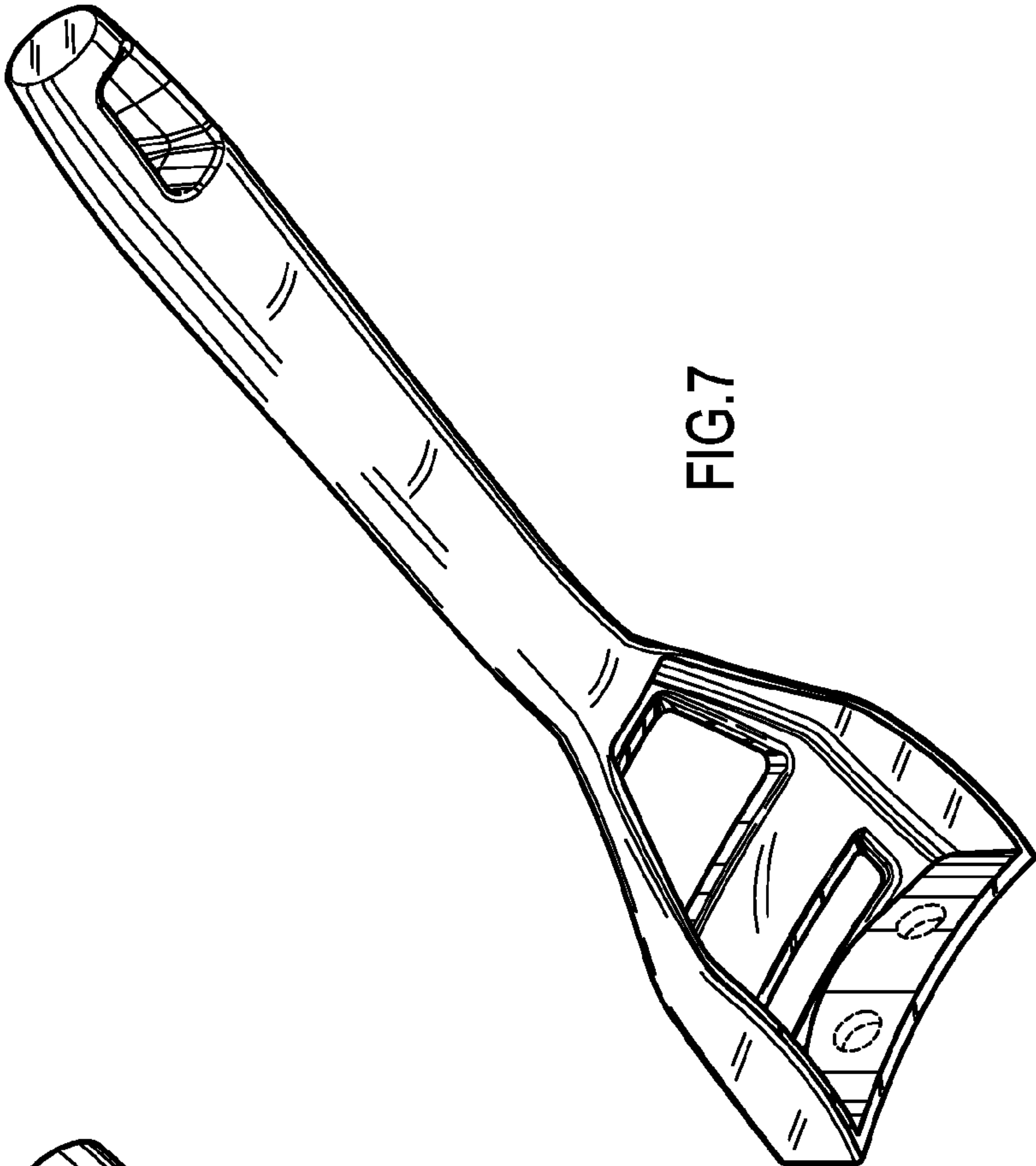


FIG. 7

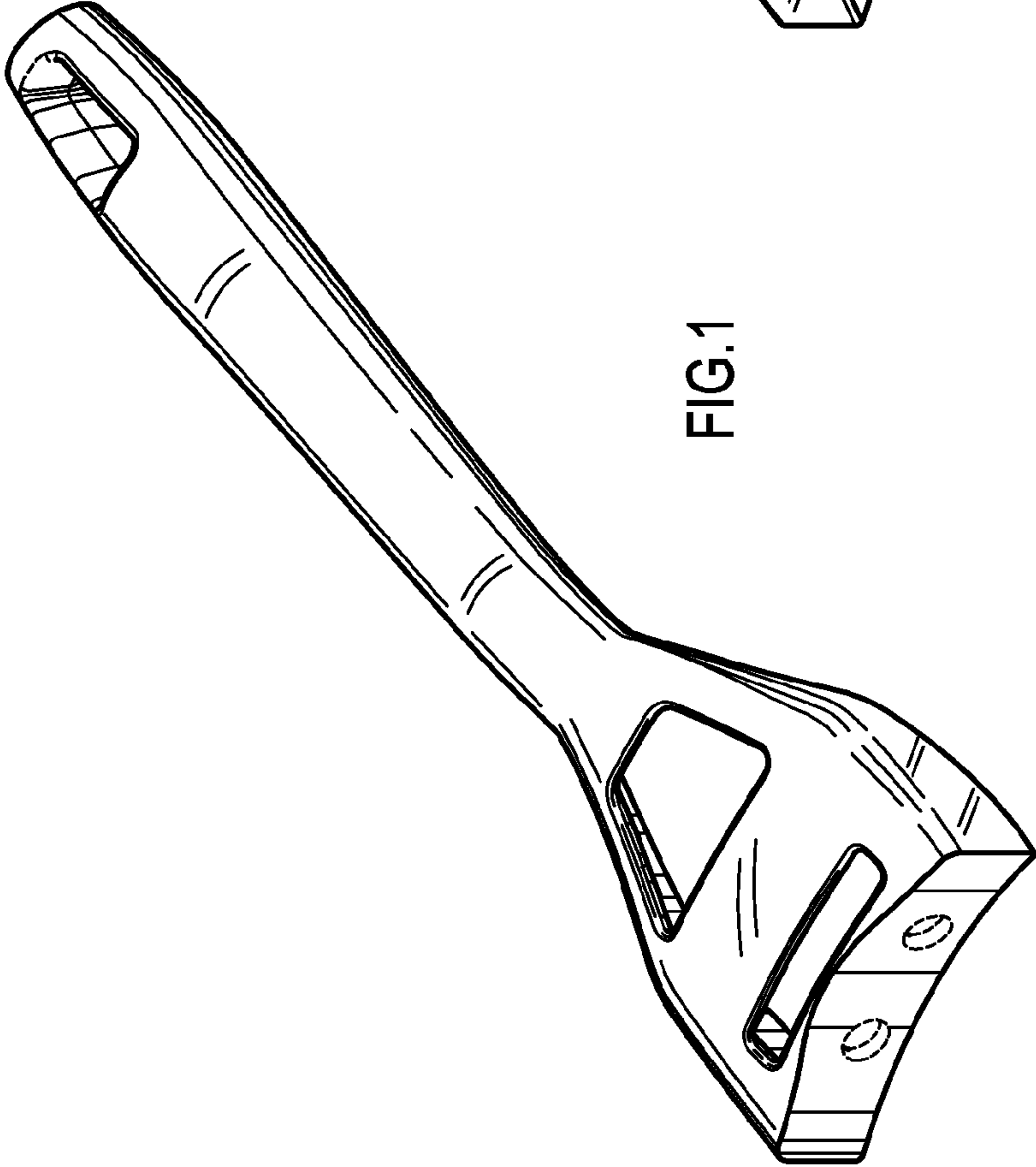


FIG. 1

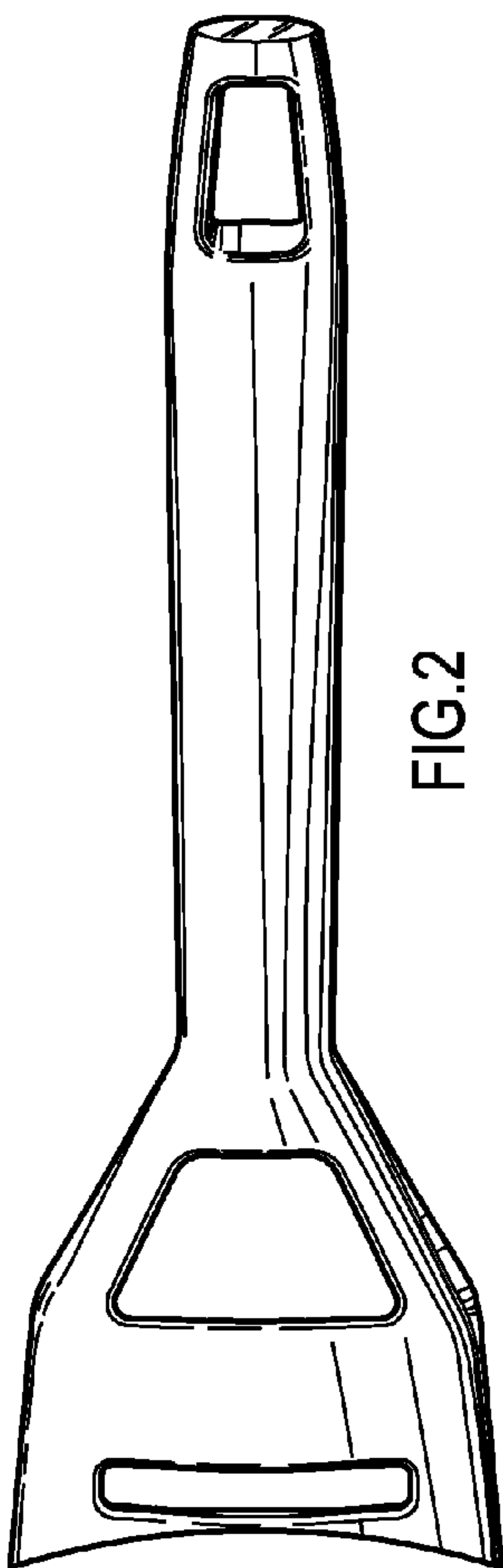


FIG. 2



FIG. 4

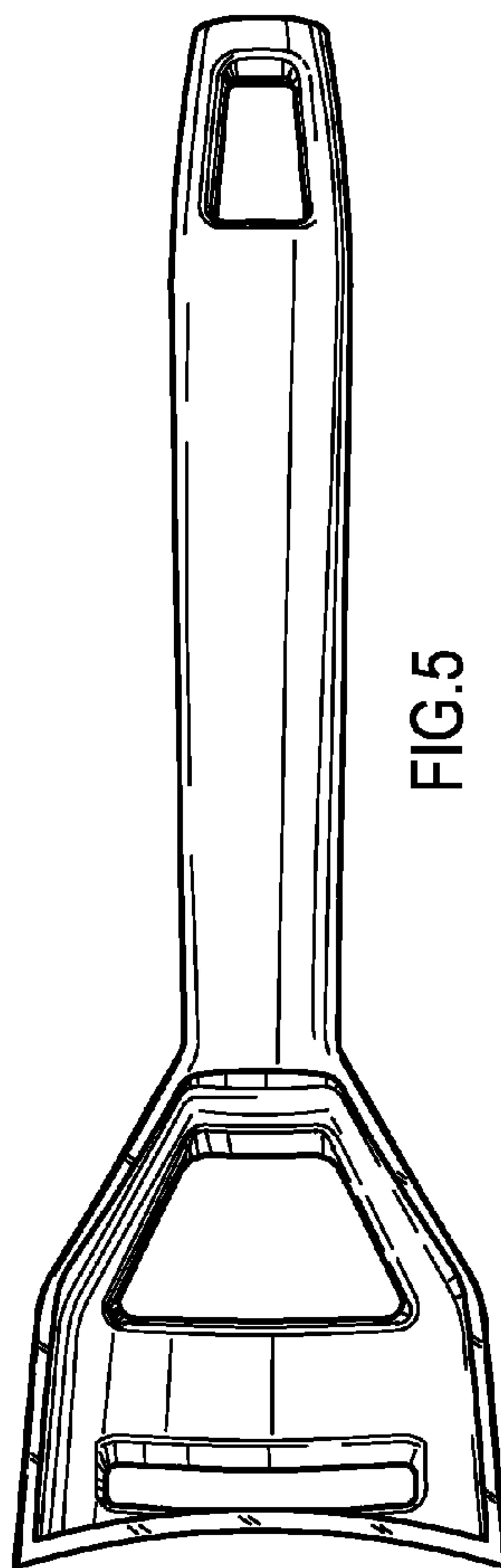


FIG. 5

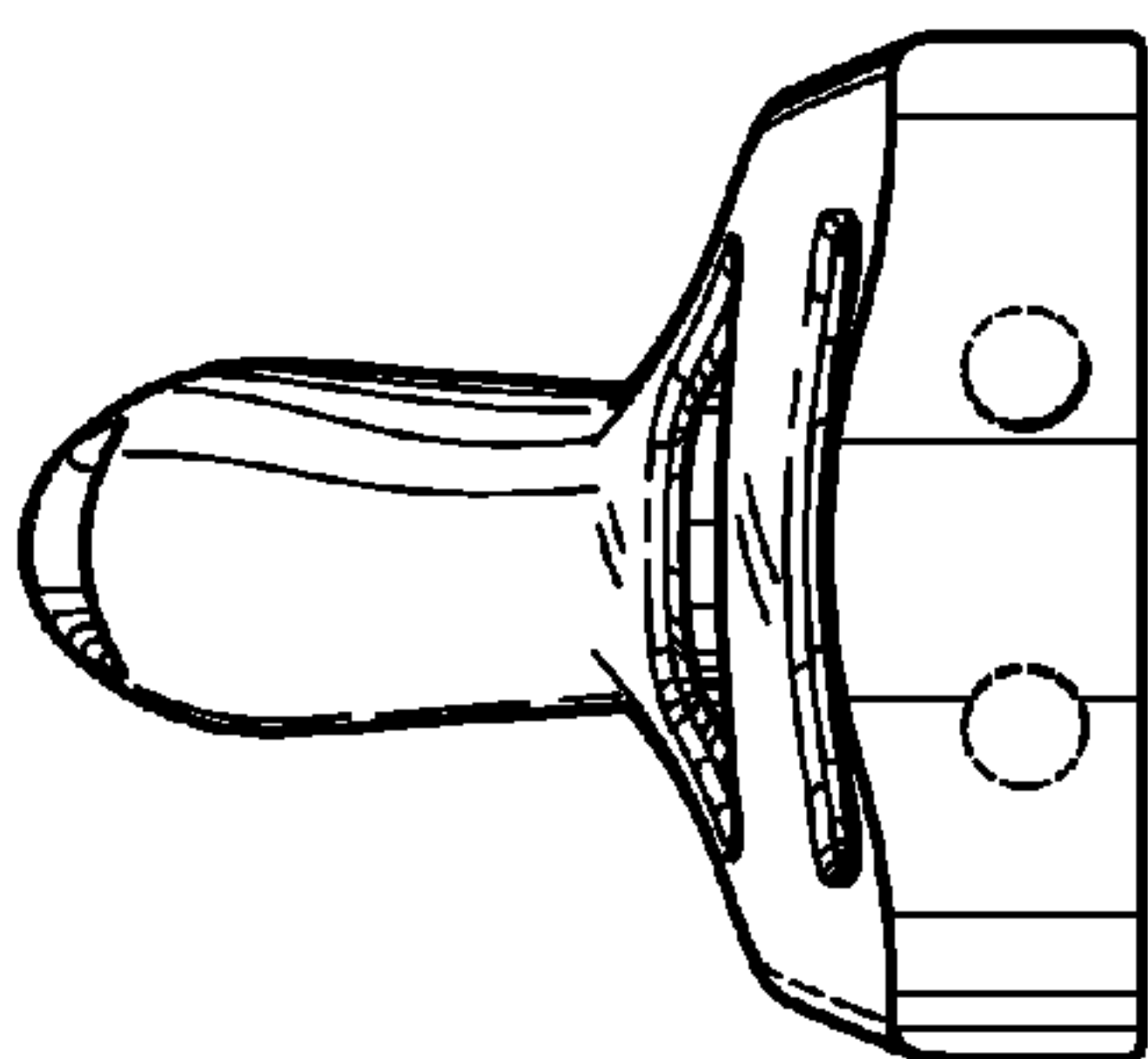


FIG. 3

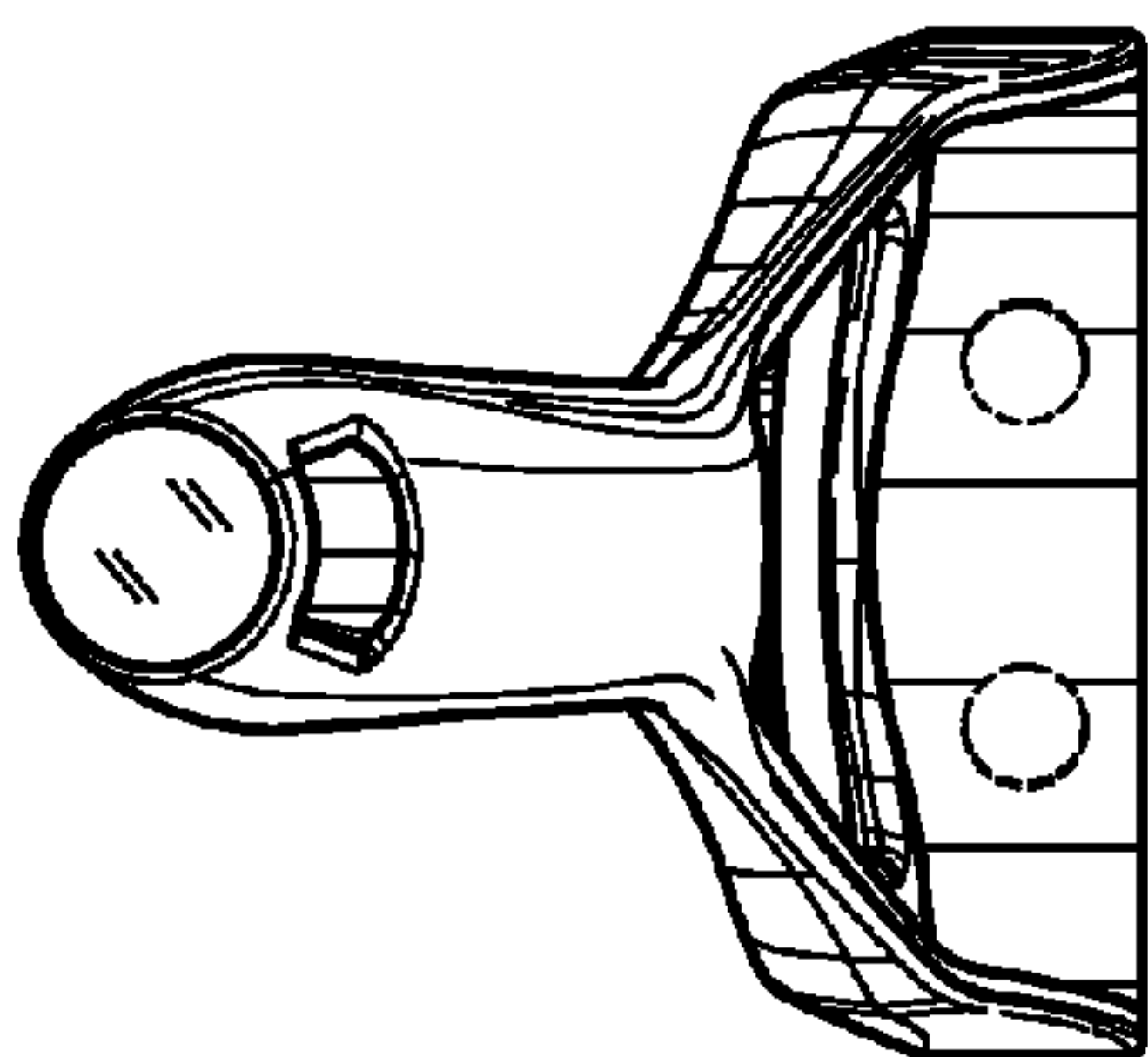


FIG. 6