



US00D589744S

(12) **United States Design Patent**  
**Rae**

(10) **Patent No.:** **US D589,744 S**

(45) **Date of Patent:** **\*\* Apr. 7, 2009**

(54) **EXTENDED COOKWARE HANDLE**

(75) Inventor: **Robert A Rae**, Las Vegas, NV (US)

(73) Assignee: **Meyer Intellectual Properties Limited**  
(VG)

(\*\*) Term: **14 Years**

(21) Appl. No.: **29/312,050**

(22) Filed: **Sep. 26, 2008**

(51) **LOC (9) Cl.** ..... **07-02**

(52) **U.S. Cl.** ..... **D7/395**

(58) **Field of Classification Search** ..... D7/354–361,  
D7/393–395; D8/107, 300, 303, 307; D4/138,  
D4/129; 16/421, 430, 431, 110.1, 407; 220/573.1–573.5,  
220/752, 753, 755, 756, 759, 771, 912  
See application file for complete search history.

(56) **References Cited**

U.S. PATENT DOCUMENTS

D407,600 S *	4/1999	LoGiudice	.....	D7/395
D426,107 S	6/2000	Cheng		
D439,108 S *	3/2001	LoGiudice	.....	D7/395
D444,347 S *	7/2001	LoGiudice	.....	D7/395
D497,771 S *	11/2004	Thomkins	.....	D7/395
D514,379 S *	2/2006	Kerr et al.	.....	D7/395
D548,519 S	8/2007	Rae		

D561,526 S *	2/2008	Bunting et al.	.....	D7/395
D565,347 S *	4/2008	Rae	.....	D7/395
D575,982 S	9/2008	Rae		

\* cited by examiner

*Primary Examiner*—Holly H Baynham

*Assistant Examiner*—Cynthia M Chin

(74) *Attorney, Agent, or Firm*—Edward S. Sherman

(57) **CLAIM**

The ornamental design for an extended cookware handle, as shown and described.

**DESCRIPTION**

FIG. 1 is a top perspective view from above the “extended cookware handle”, showing my new design;

FIG. 2 is a top plan view thereof;

FIG. 3 is a front elevational view thereof;

FIG. 4 is a side elevational view thereof;

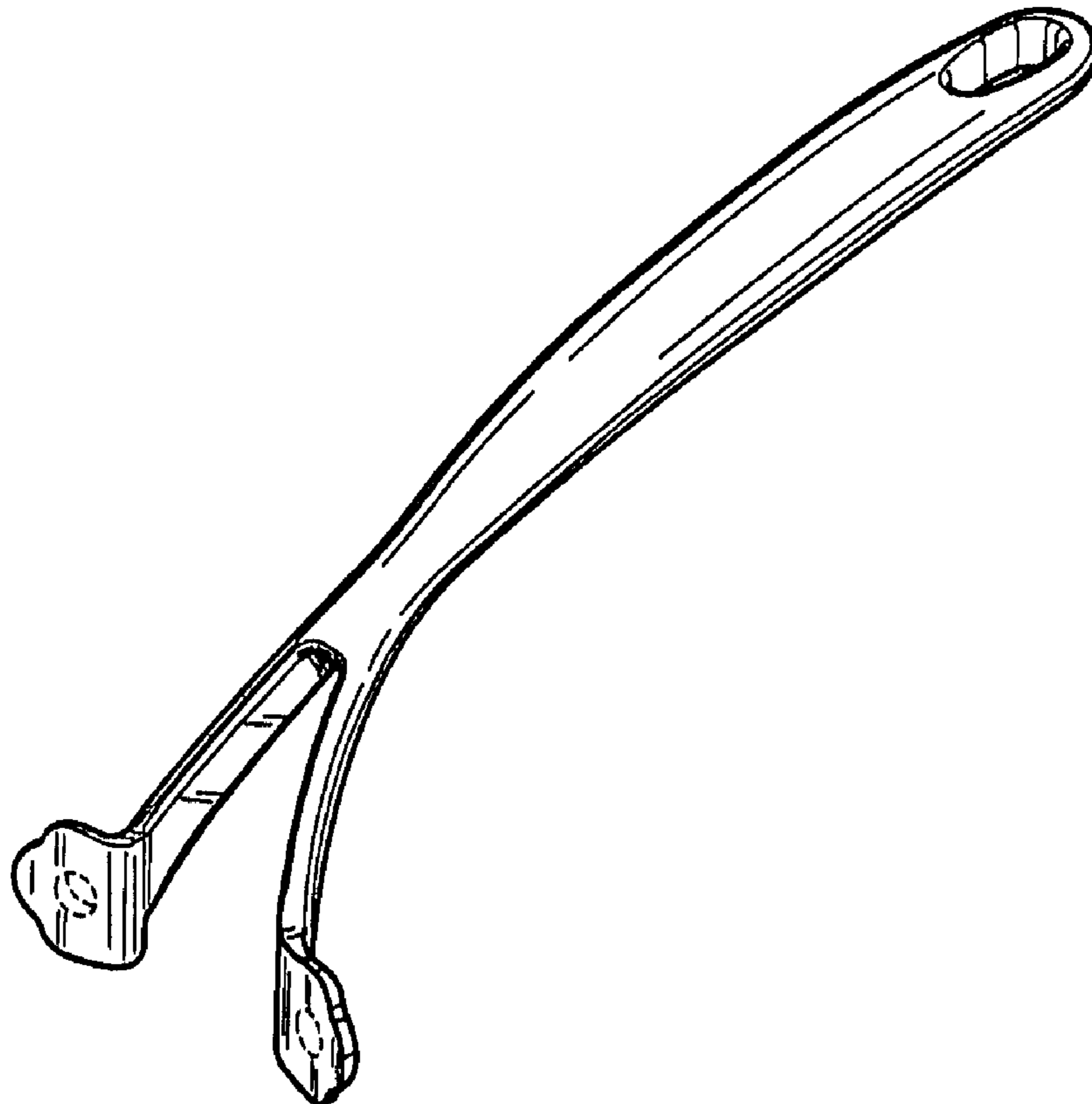
FIG. 5 is a bottom plan view thereof;

FIG. 6 is a back elevation view thereof; and,

FIG. 7 is a perspective view from below.

The broken lines in FIGS. 1, 3, 6, and 7 are for illustrative purposes only, depicting the environment of the new design, forming no part thereof as claimed.

**1 Claim, 2 Drawing Sheets**



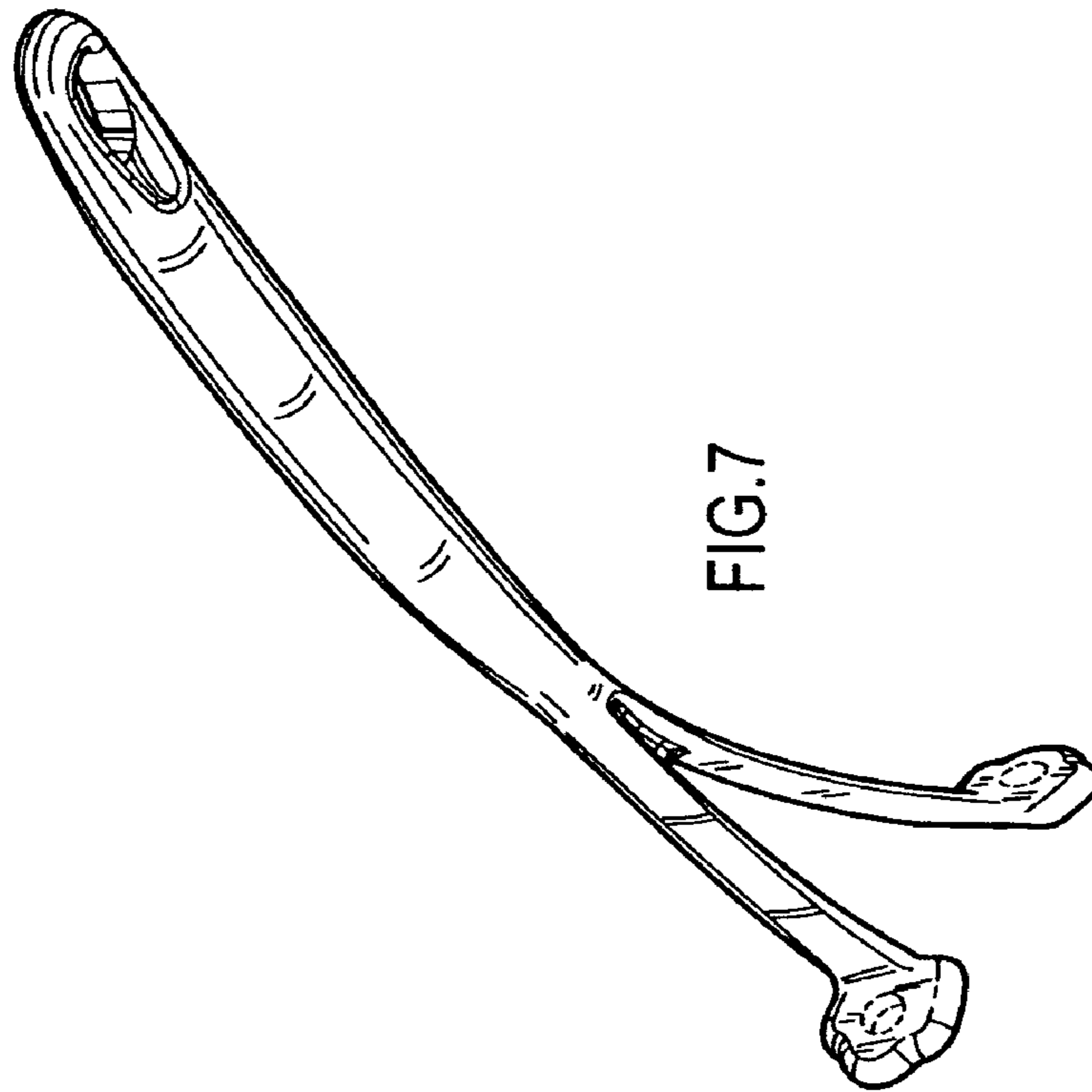


FIG. 7

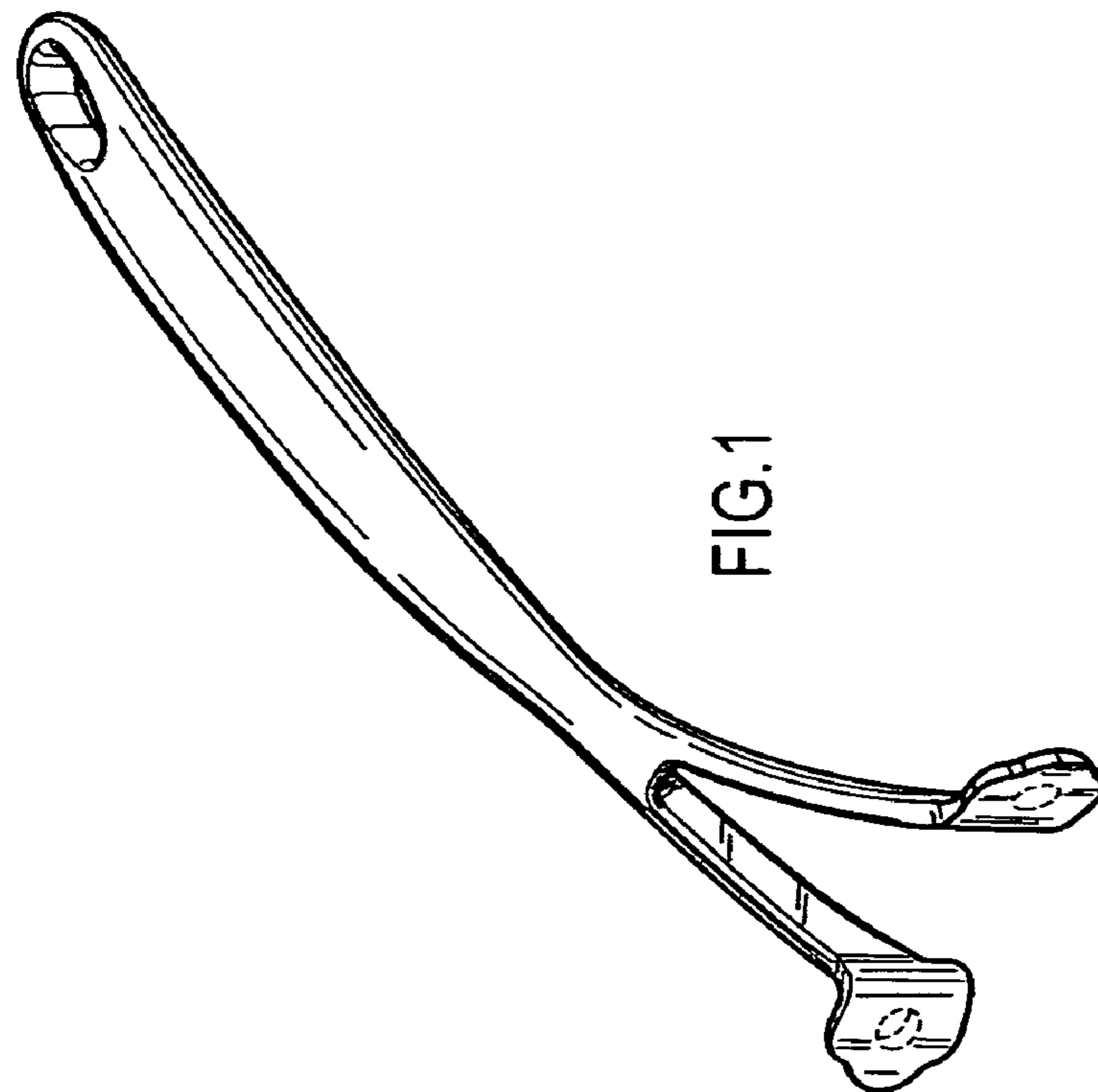


FIG. 1

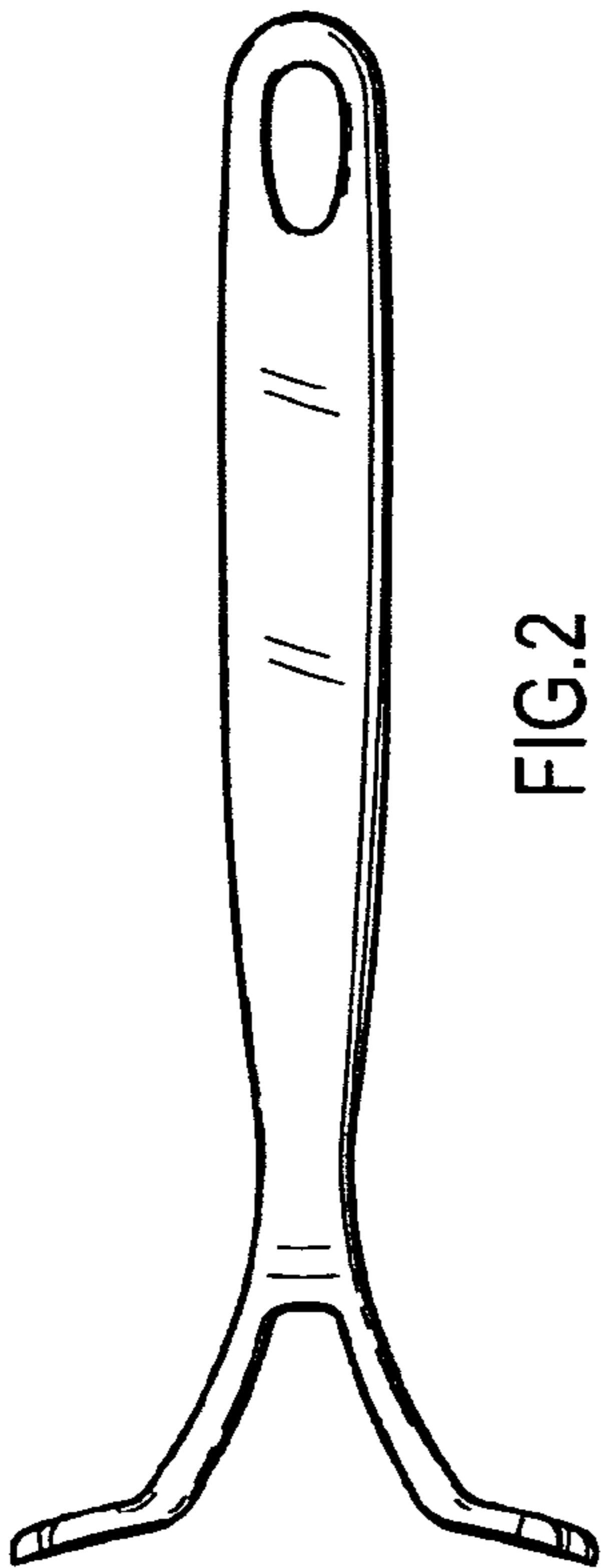


FIG. 2

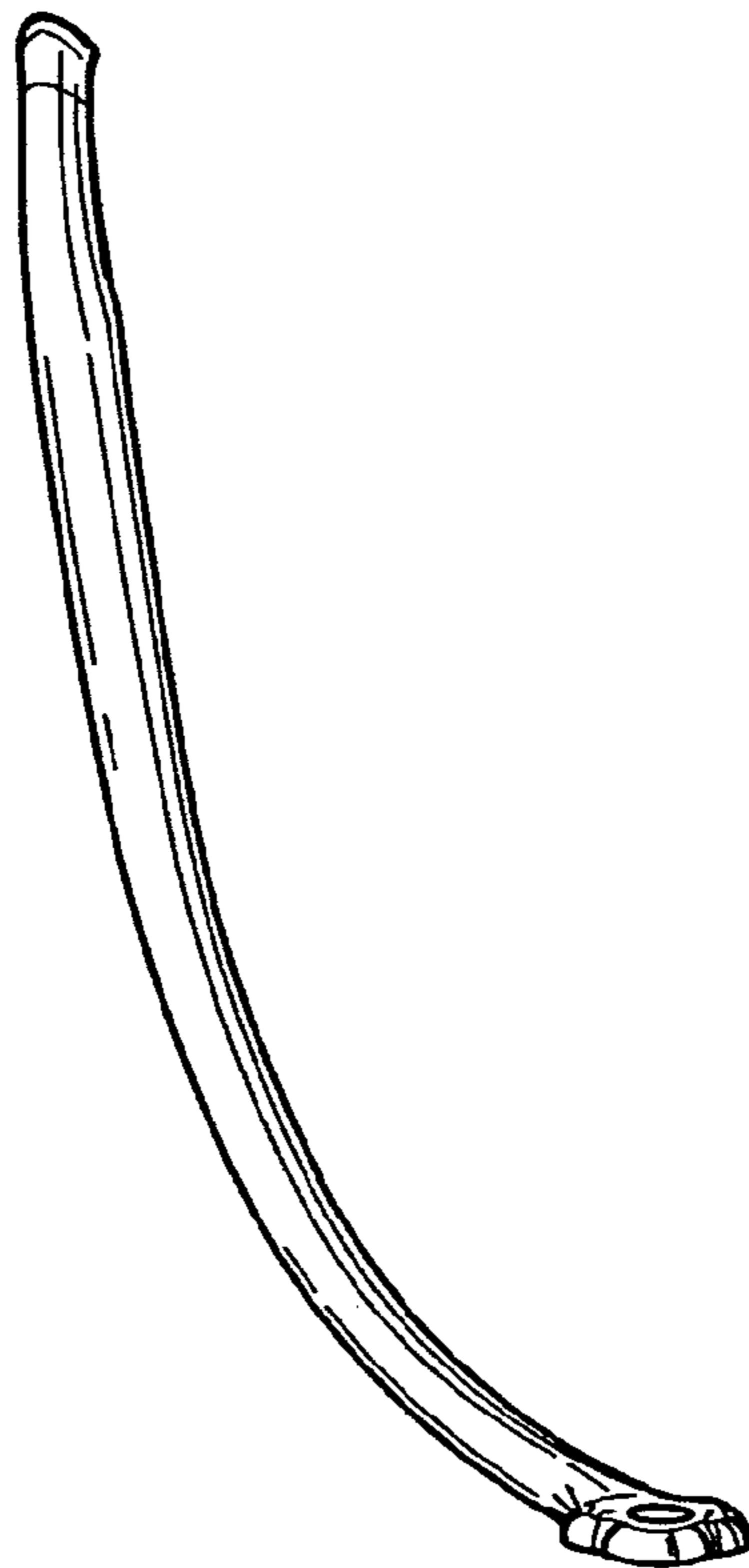


FIG. 4

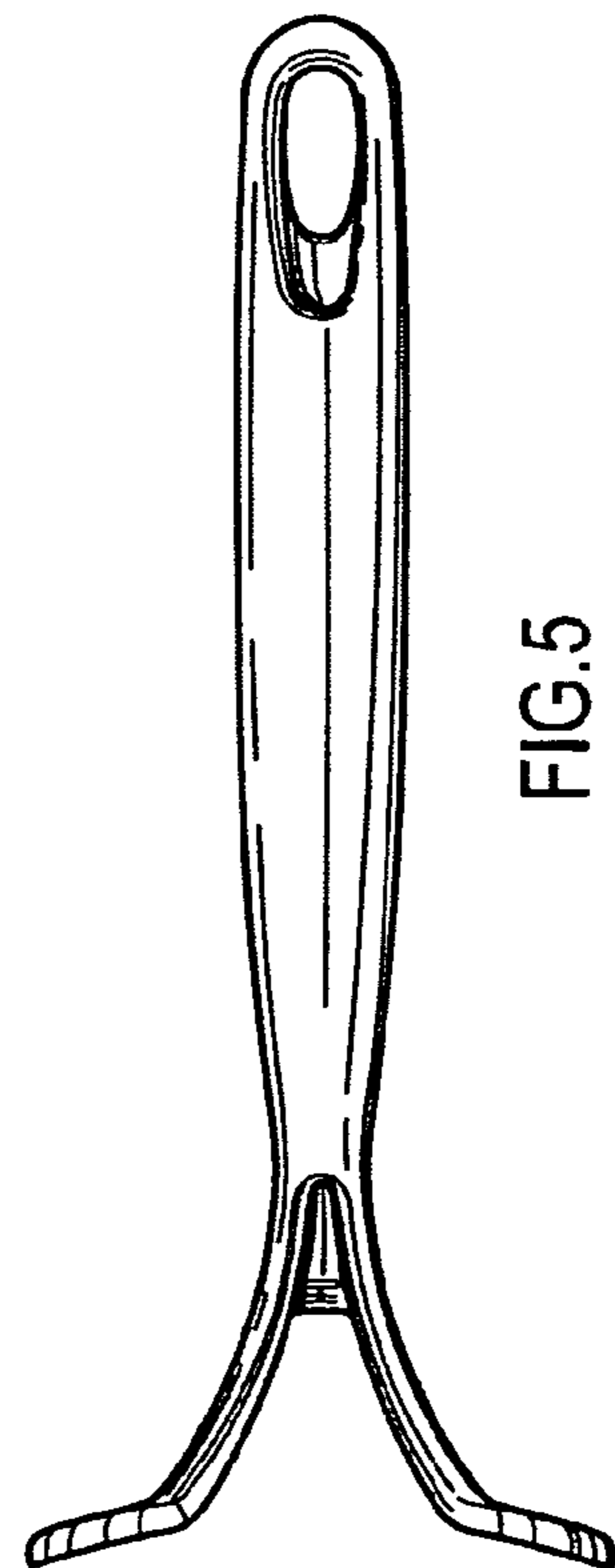


FIG. 5

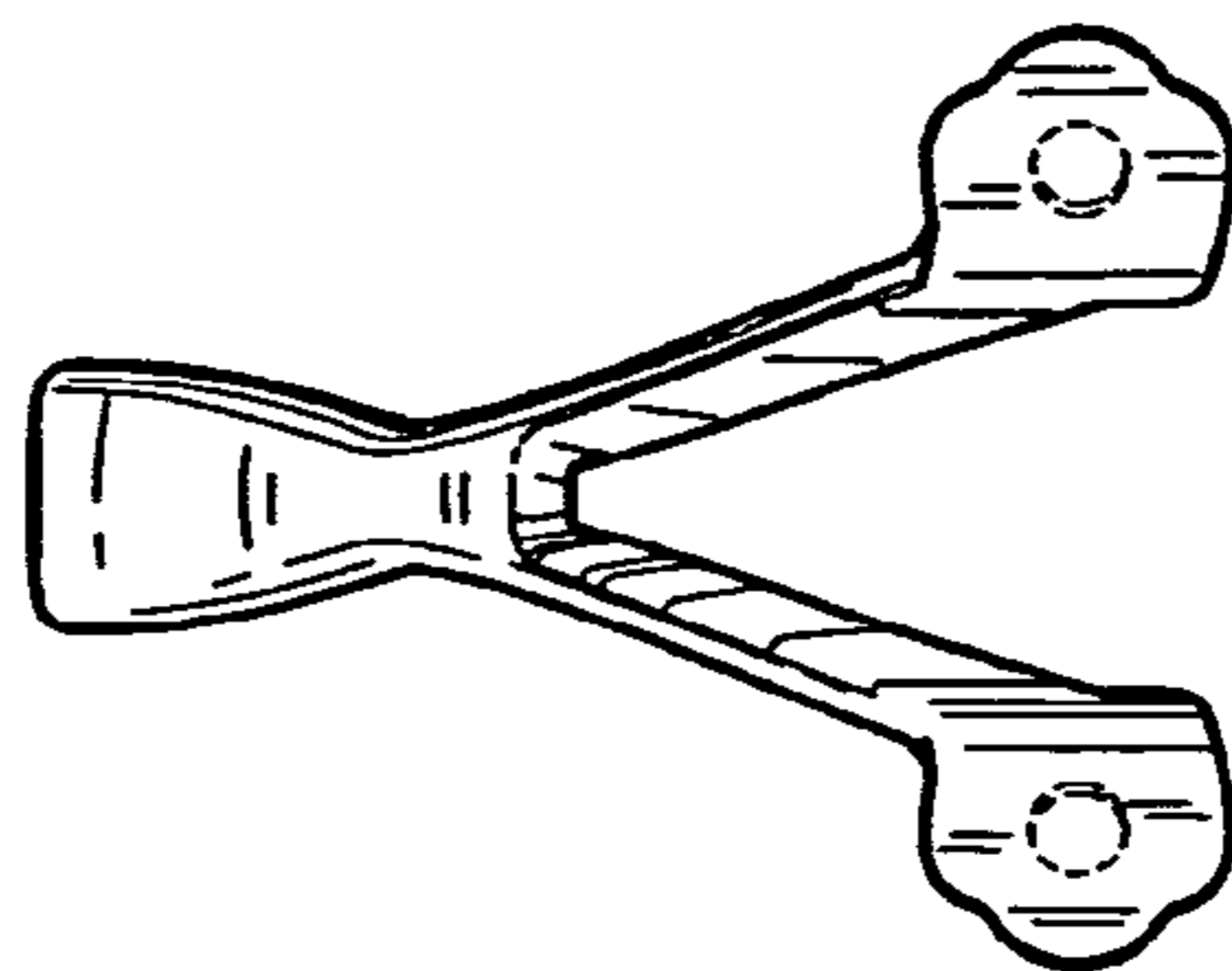


FIG. 3

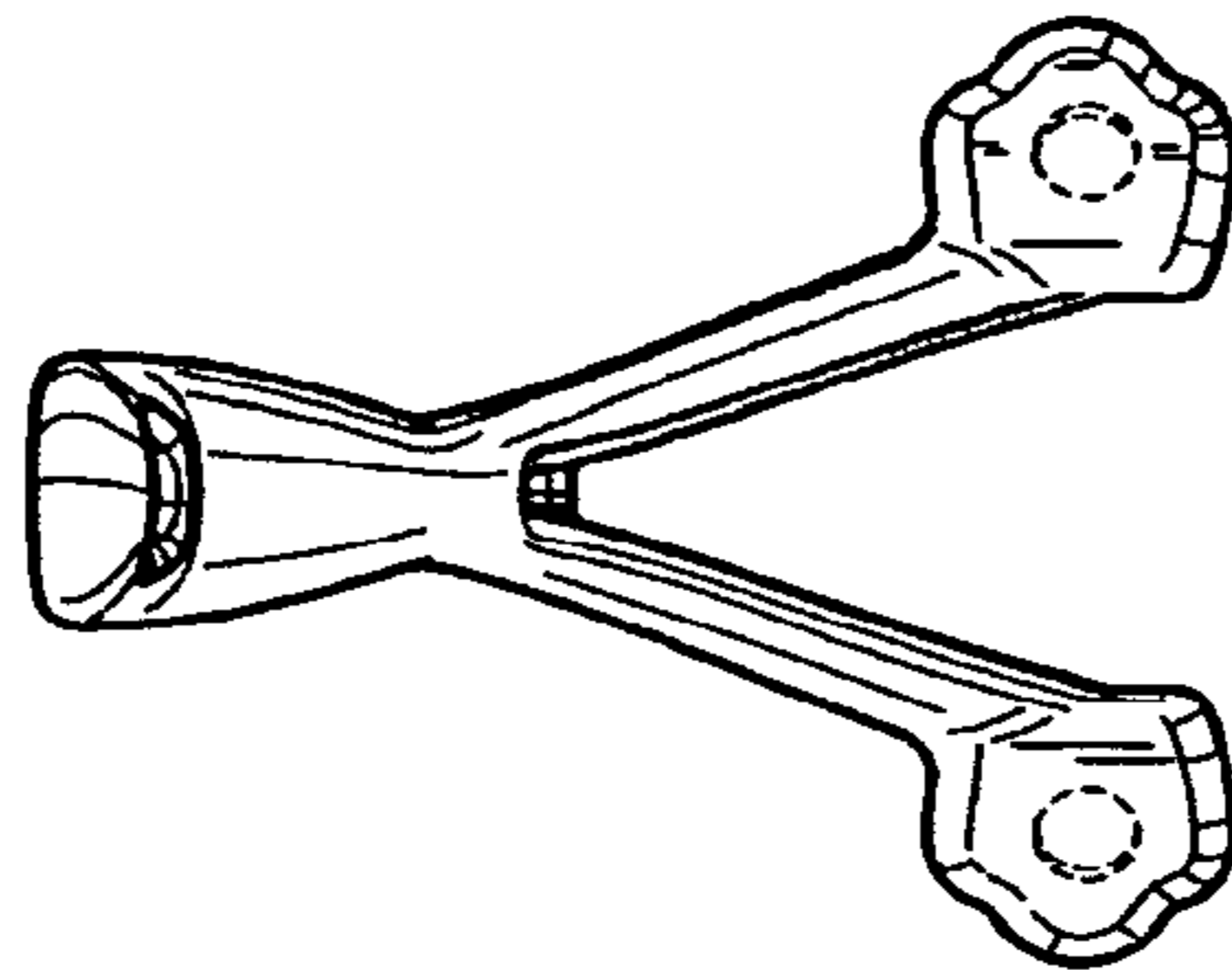


FIG. 6