



US00D589743S

(12) **United States Design Patent**  
**Pearson**

(10) **Patent No.:** **US D589,743 S**

(45) **Date of Patent:** **\*\* Apr. 7, 2009**

(54) **WATER BOTTLE**

(75) Inventor: **Arthur Scott Pearson**, Upland, CA  
(US)

(73) Assignee: **Sweda Company, LLC**, City of  
Industry, CA (US)

(\*\*) Term: **14 Years**

(21) Appl. No.: **29/307,650**

(22) Filed: **May 3, 2008**

(51) **LOC (9) Cl.** ..... **07-02**

(52) **U.S. Cl.** ..... **D7/392**

(58) **Field of Classification Search** ..... D7/316-319,  
D7/391-392.1, 396.2, 510, 511, 629; D9/440,  
D9/444, 446, 447, 449, 450, 454, 503, 504;  
215/211, 200, 224, 243; 220/200, 213, 244,  
220/246, 703, 711-715, 810, 830

See application file for complete search history.

(56) **References Cited**

**U.S. PATENT DOCUMENTS**

- D451,023 S \* 11/2001 Kitamura et al. .... D9/449
- D492,597 S \* 7/2004 Norris et al. .... D9/442
- D505,294 S \* 5/2005 Gauss ..... D7/392.1
- D508,185 S \* 8/2005 Gauss ..... D7/392.1

- D528,862 S \* 9/2006 Li ..... D7/510
- D529,339 S \* 10/2006 Carreno et al. .... D7/511
- D533,061 S \* 12/2006 Li et al. .... D9/443
- D539,607 S \* 4/2007 Lapsker ..... D7/510
- D571,147 S \* 6/2008 Rohe ..... D7/392.1
- D579,772 S \* 11/2008 Williams ..... D9/446

\* cited by examiner

*Primary Examiner*—Holly H Baynham  
*Assistant Examiner*—Cynthia M Chin  
(74) *Attorney, Agent, or Firm*—Clement Cheng

(57) **CLAIM**

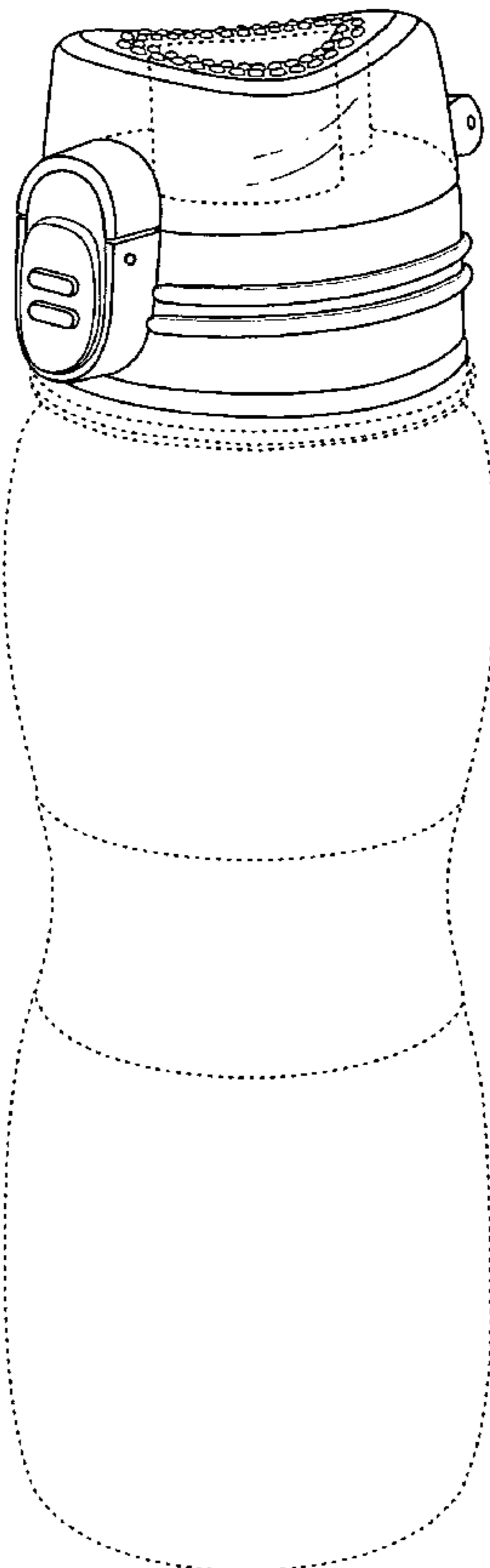
The ornamental design for a water bottle, as shown and described.

**DESCRIPTION**

FIG. 1 is a perspective view.  
FIG. 2 is a front elevational view;  
FIG. 3 is a rear elevational view;  
FIG. 4 is a left side elevational view; and,  
FIG. 5 is a right side elevational view.

The broken lines represent portions of the design that form no part of the claim.

**1 Claim, 3 Drawing Sheets**



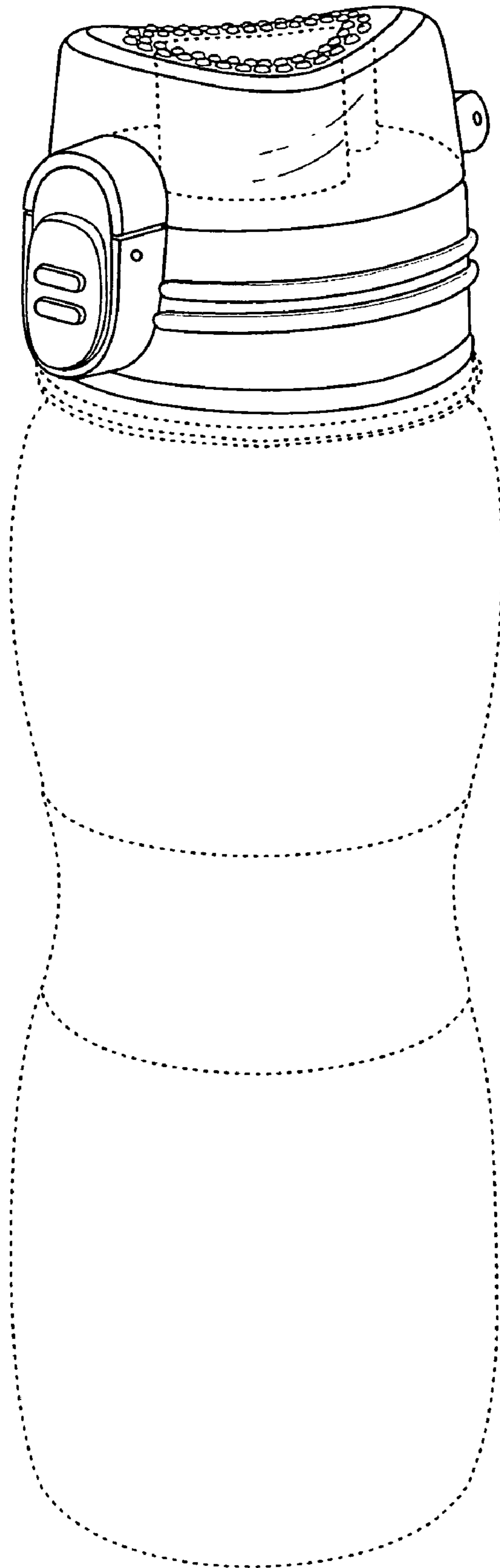


FIG.1

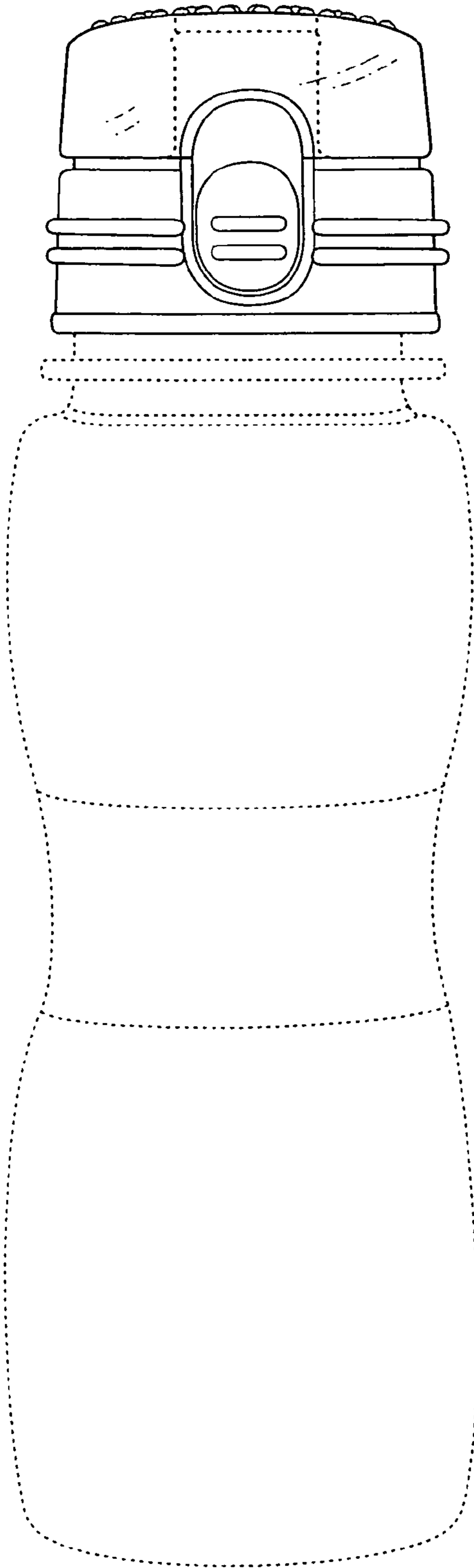


FIG. 2

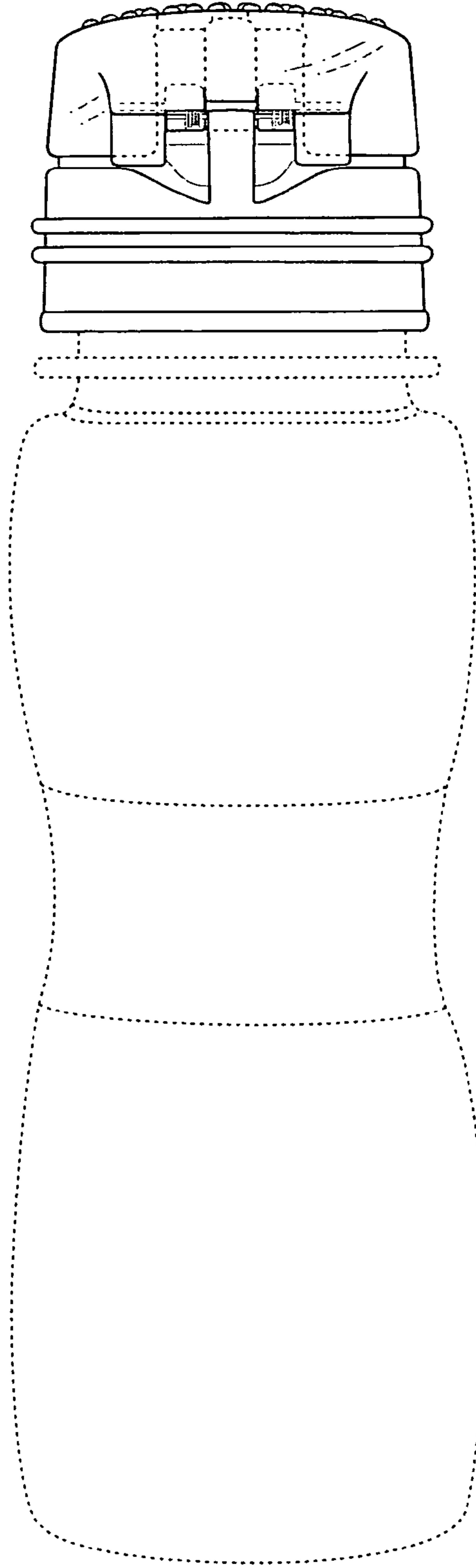


FIG. 3

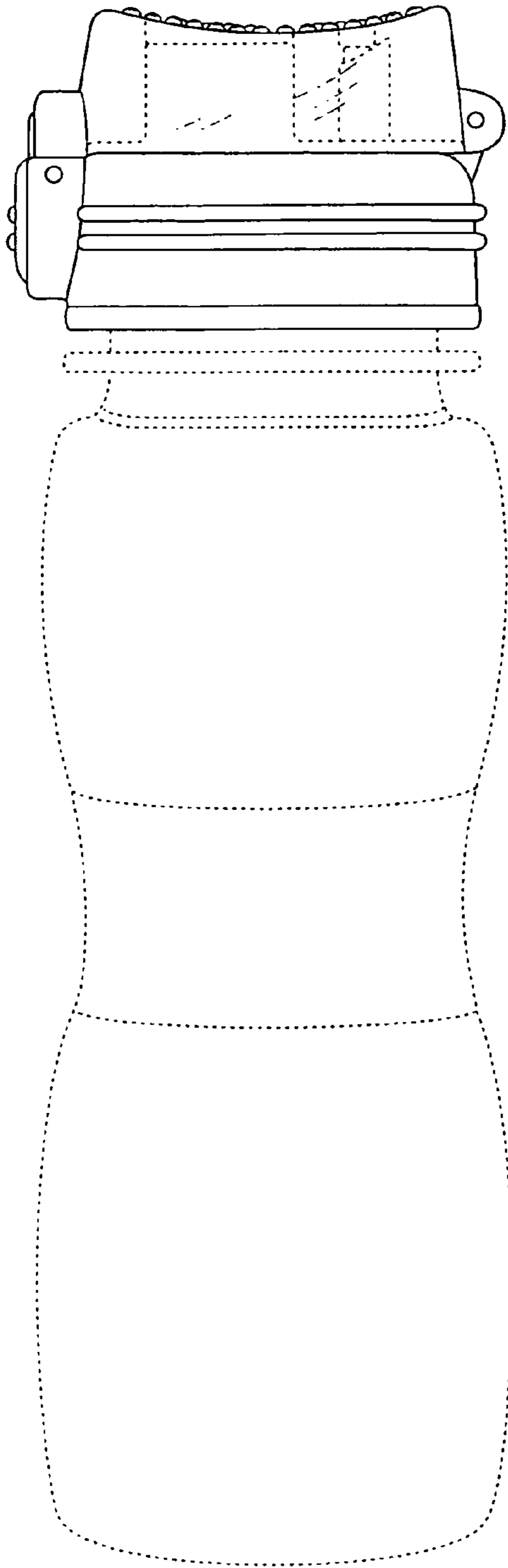


FIG. 4

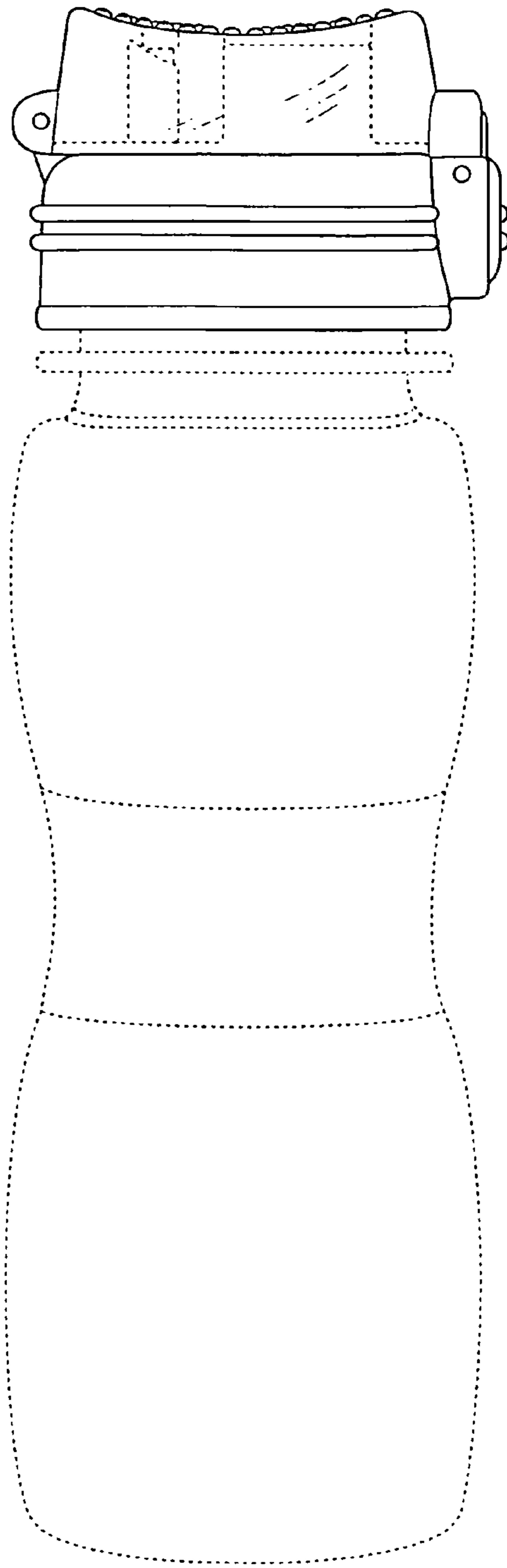


FIG. 5