



US00D589742S

(12) **United States Design Patent**
Ferraby

(10) **Patent No.:** **US D589,742 S**

(45) **Date of Patent:** **** Apr. 7, 2009**

(54) **HAND HELD KITCHEN APPLIANCE POWER UNIT**

(75) Inventor: **Robin Ferraby**, Hampshire (GB)

(73) Assignee: **Kenwood Limited**, Hampshire (GB)

(**) Term: **14 Years**

(21) Appl. No.: **29/302,792**

(22) Filed: **Jan. 24, 2008**

(30) **Foreign Application Priority Data**

Jul. 27, 2007 (EM) 000765243-0001

(51) **LOC (9) Cl.** **31-00**

(52) **U.S. Cl.** **D7/380**

(58) **Field of Classification Search** D7/317-318,
D7/356, 376-386, 412-415, 665; D8/64;
99/348, 501, 509-511; 222/465.1; 241/30-37.5,
241/101.01-101.2, 166-169.1, 274-278.2,
241/285.1-285.3, 291, 292.1; 310/68 R;
366/64-67, 98, 192, 197-211, 200-207,
366/241-254, 279-292, 341-347; 388/800
See application file for complete search history.

(56) **References Cited**

U.S. PATENT DOCUMENTS

D358,293 S * 5/1995 Sebastia D7/376
D361,241 S * 8/1995 Littmann D7/376
D392,504 S * 3/1998 Lallemand D7/376
D426,105 S * 6/2000 Littmann D7/376
D447,380 S * 9/2001 Feil D7/376
D447,381 S * 9/2001 Littmann D7/381

D456,206 S * 4/2002 Feil D7/376
D485,729 S * 1/2004 Patton et al. D7/379
D506,102 S * 6/2005 Ikegaki D7/379
D510,837 S * 10/2005 Lloyd et al. D7/376
D533,022 S * 12/2006 Piret D7/379
D534,032 S * 12/2006 Lloyd D7/380
D549,044 S * 8/2007 Littmann D7/384

* cited by examiner

Primary Examiner—Caron Veynar

Assistant Examiner—Ricky Pham

(74) *Attorney, Agent, or Firm*—Martin Fleit; Paul Bianco;
Fleit Gibbons Gutman Bongini & Bianco PL

(57) **CLAIM**

I claim the ornamental design for a hand held kitchen appliance power unit, as shown and described.

DESCRIPTION

FIG. 1 is a front view of a hand held kitchen appliance power unit of the subject invention;

FIG. 2 is a first side view of the hand held kitchen appliance power unit of FIG. 1;

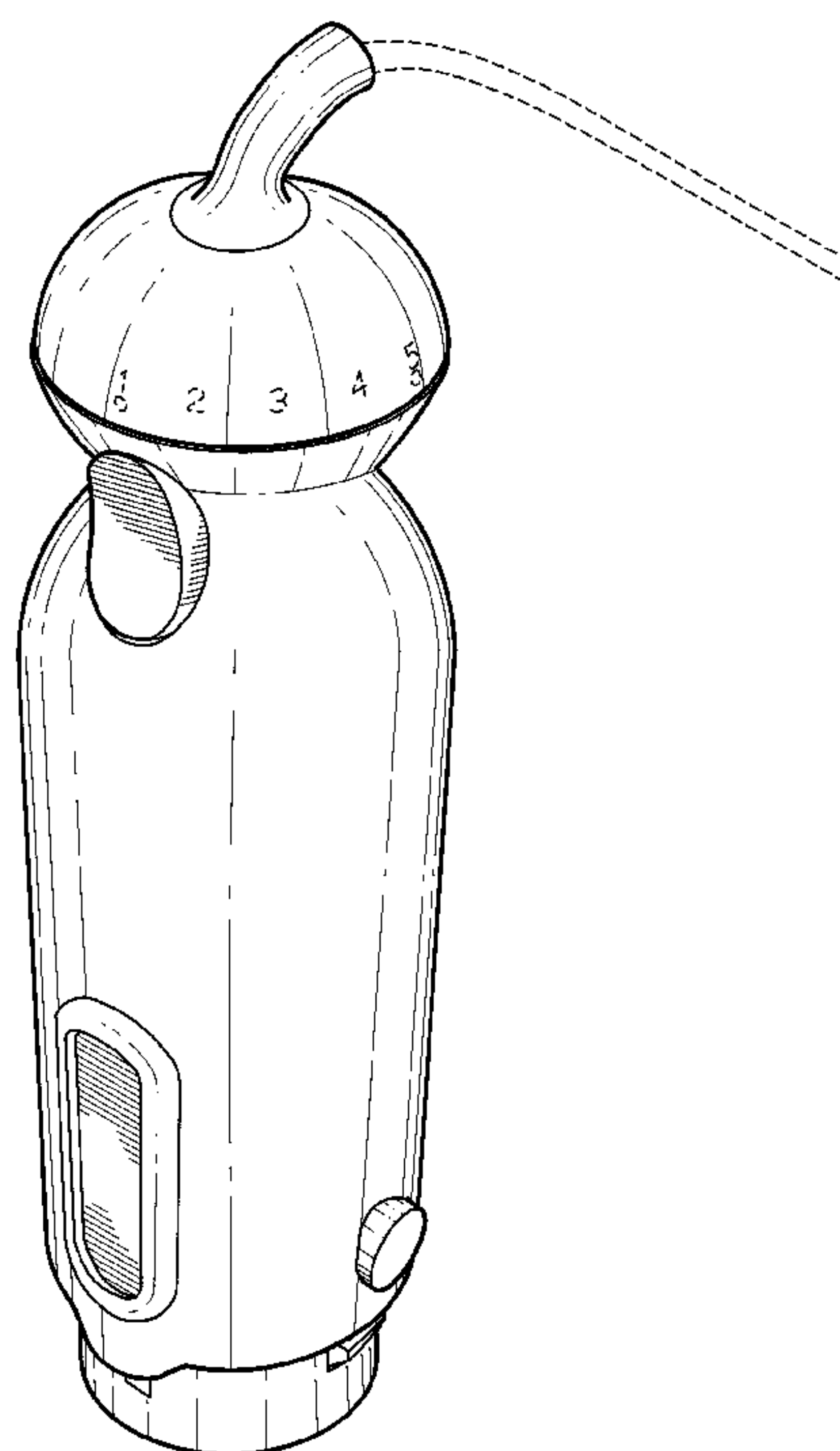
FIG. 3 is a top view of the hand held kitchen appliance power unit of FIG. 1;

FIG. 4 is a bottom view of the hand held kitchen appliance power unit of FIG. 1; and,

FIG. 5 is a perspective view of the hand held kitchen appliance power unit of FIG. 1.

The broken lines shown in the drawings are for environmental purposes only and form no part of the claimed design.

1 Claim, 5 Drawing Sheets



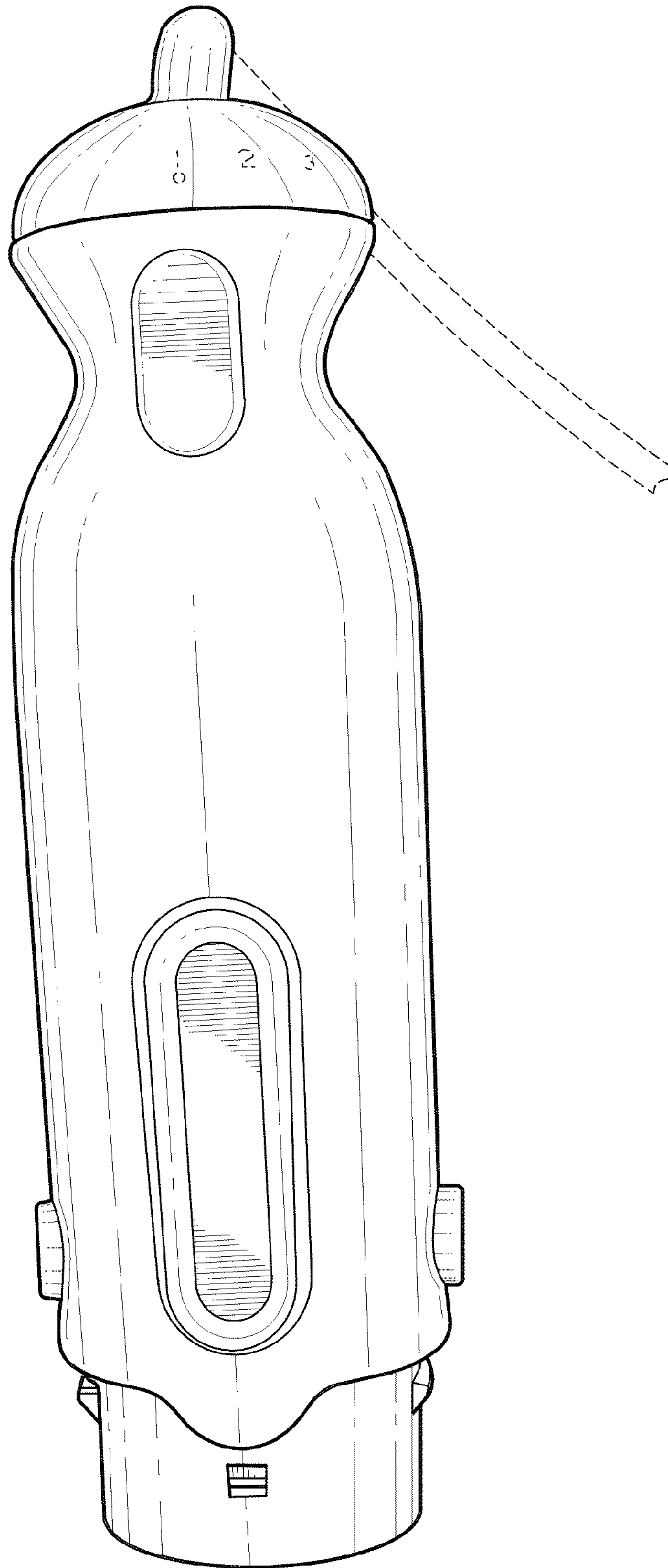


FIG. 1



FIG. 2

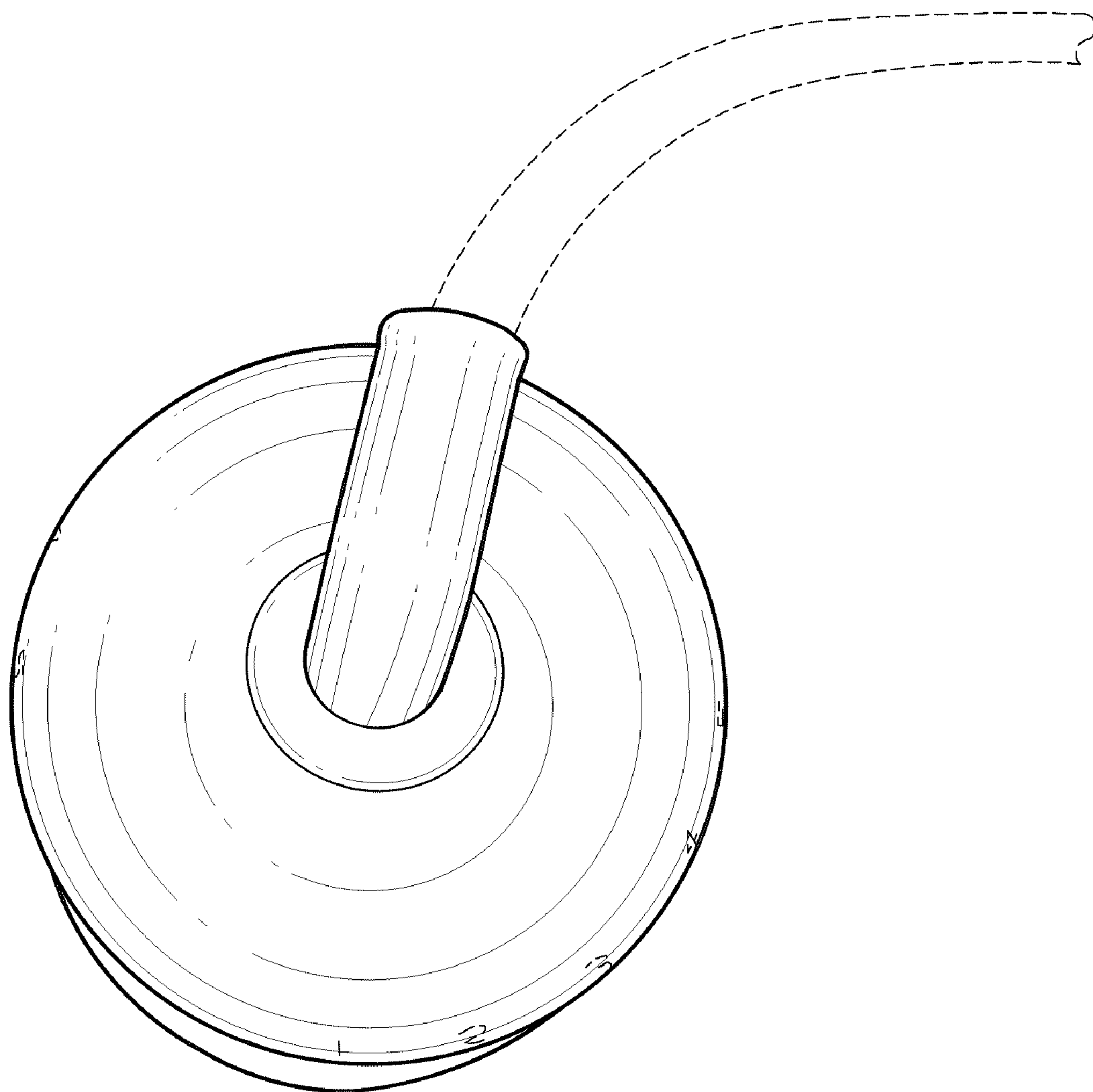


FIG. 3

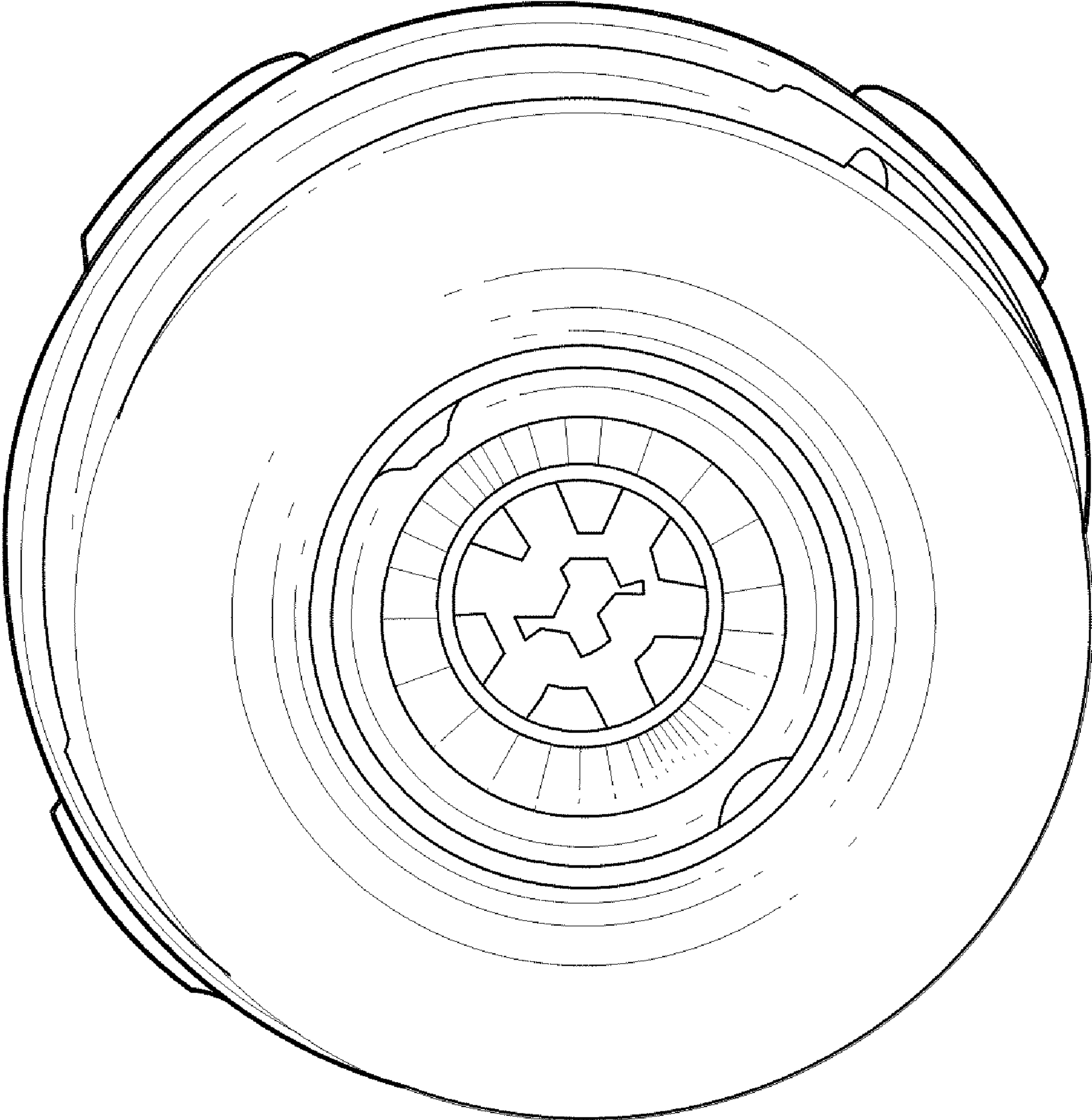


FIG.4

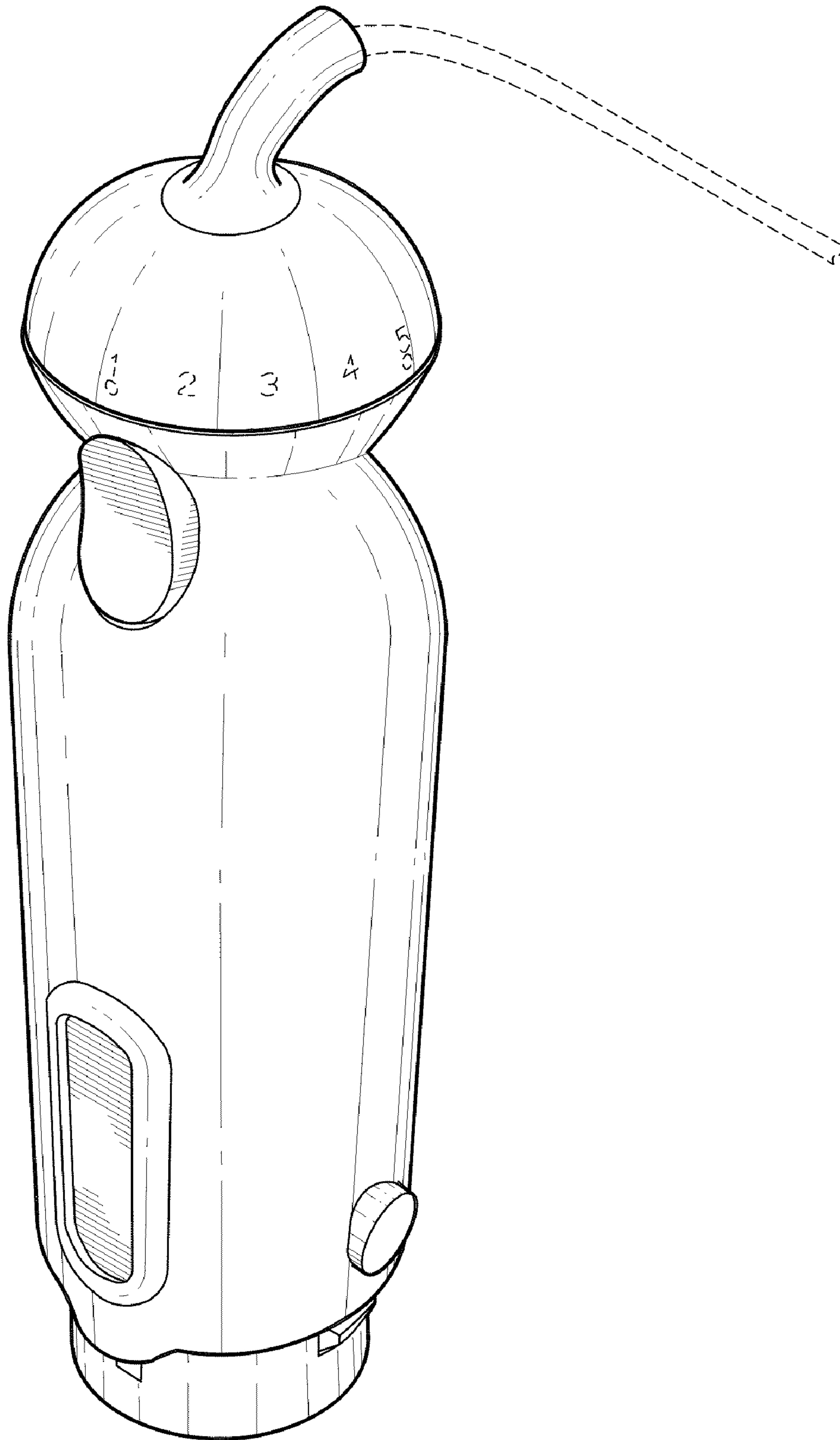


FIG. 5