



US00D589741S

(12) **United States Design Patent**
Gerlach

(10) **Patent No.:** **US D589,741 S**
(45) **Date of Patent:** **** Apr. 7, 2009**

(54) **FRYING PAN**

(75) Inventor: **Thomas Gerlach**, Motzingen (DE)

(73) Assignee: **Fissler GmbH**, Idar-Oberstein (DE)

(**) Term: **14 Years**

(21) Appl. No.: **29/263,359**

(22) Filed: **Jul. 21, 2006**

(30) **Foreign Application Priority Data**

Jan. 23, 2006 (EM) 000467626

(51) **LOC (9) Cl.** **07-02**

(52) **U.S. Cl.** **D7/361**

(58) **Field of Classification Search** D7/323,
D7/337, 352-361, 365, 378-379, 383-384,
D7/391-396.1, 402, 542-543, 545, 560;
99/140 R, 324, 339, 345, 403, 422, 425, 445;
219/620-622, 725-730; 220/203.01, 573.1-574,
220/769, 912; 222/146.1, 572

See application file for complete search history.

(56) **References Cited**

U.S. PATENT DOCUMENTS

1,447,813 A * 3/1923 Patrick 99/425
D179,087 S * 10/1956 Kelso D7/352
4,078,479 A * 3/1978 Mori 99/422
D283,482 S * 4/1986 Durand D7/361

D366,181 S * 1/1996 Rossiaud D7/361
D373,287 S * 9/1996 Antonio D7/361
D377,438 S * 1/1997 Brunianyn D7/361
D392,152 S * 3/1998 Rae D7/402
D392,840 S * 3/1998 Rae D7/402
D458,798 S * 6/2002 Kellermann D7/360
D470,716 S * 2/2003 Kloppsteck D7/361
D547,599 S * 7/2007 Gerlach D7/361
D562,060 S * 2/2008 Kloppsteck D7/361

* cited by examiner

Primary Examiner—Caron Veynar

Assistant Examiner—Ricky Pham

(74) *Attorney, Agent, or Firm*—Foley & Lardner LLP

(57) **CLAIM**

The ornamental design for a frying pan, as shown.

DESCRIPTION

FIG. 1 is a right side elevational view of a frying pan showing my new design;

FIG. 2 is left side elevational view thereof;

FIG. 3 is a front elevational view thereof;

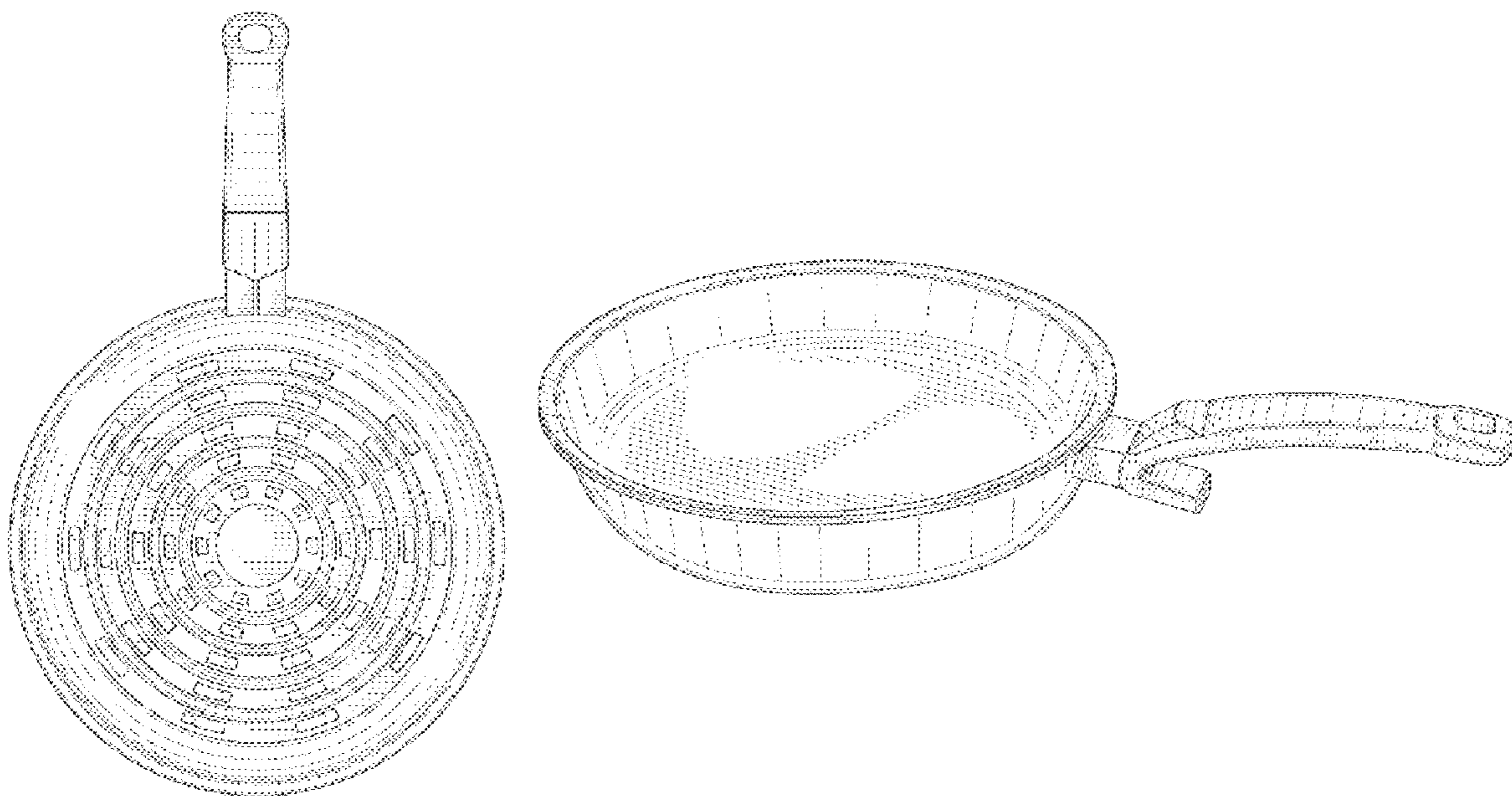
FIG. 4 is a rear elevational view thereof;

FIG. 5 is a top plan view thereof;

FIG. 6 is a bottom plan view thereof; and,

FIG. 7 is a perspective view thereof.

1 Claim, 4 Drawing Sheets



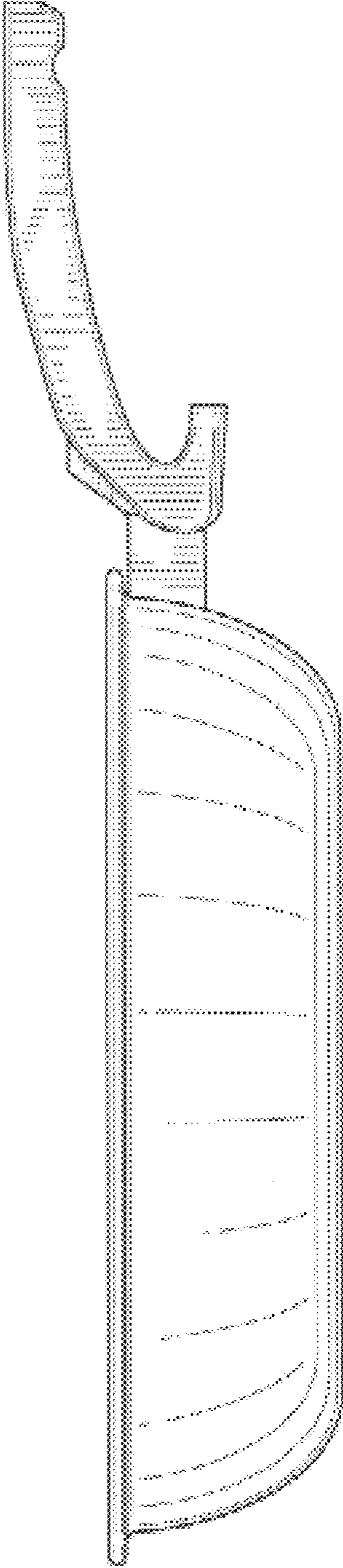


FIG. 1

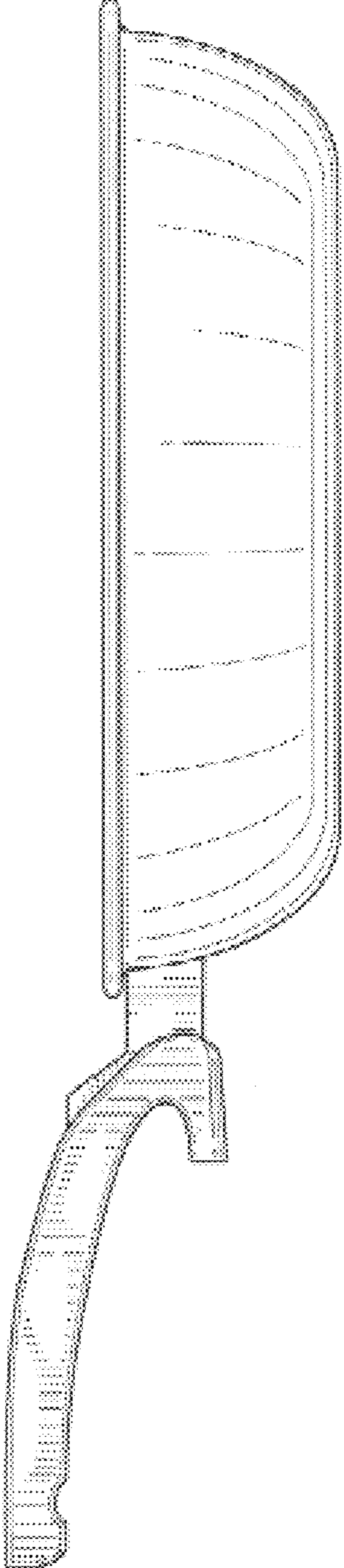


FIG. 2

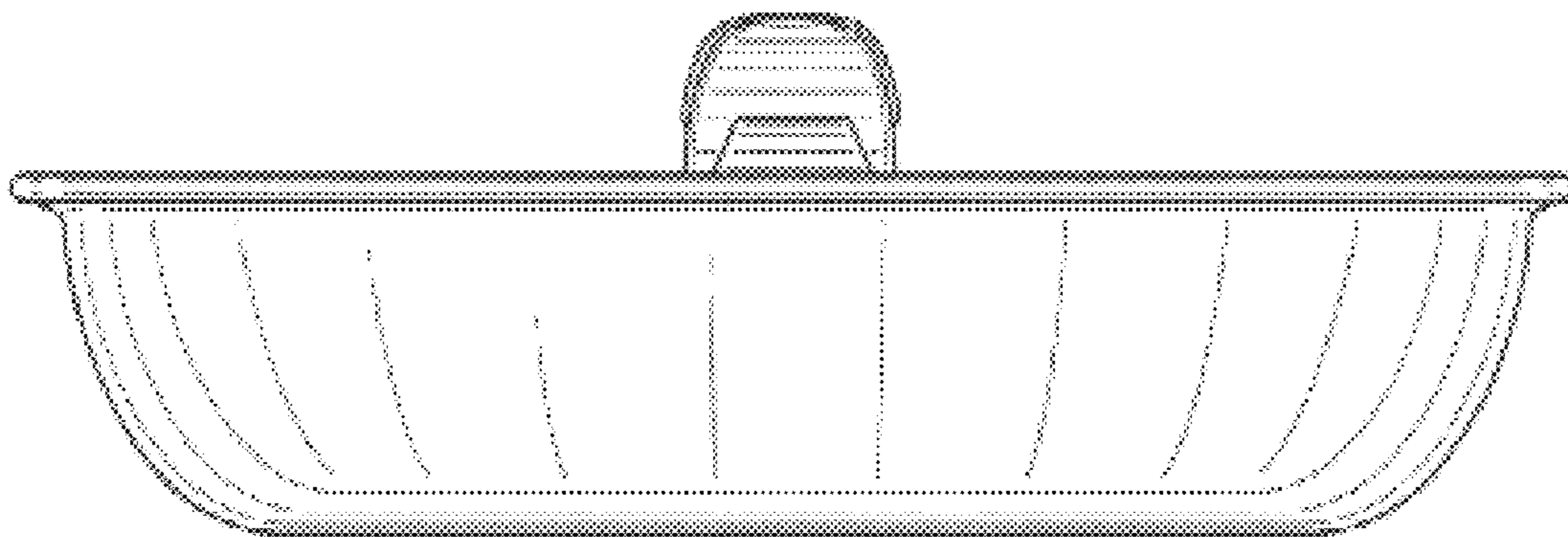


FIG. 3

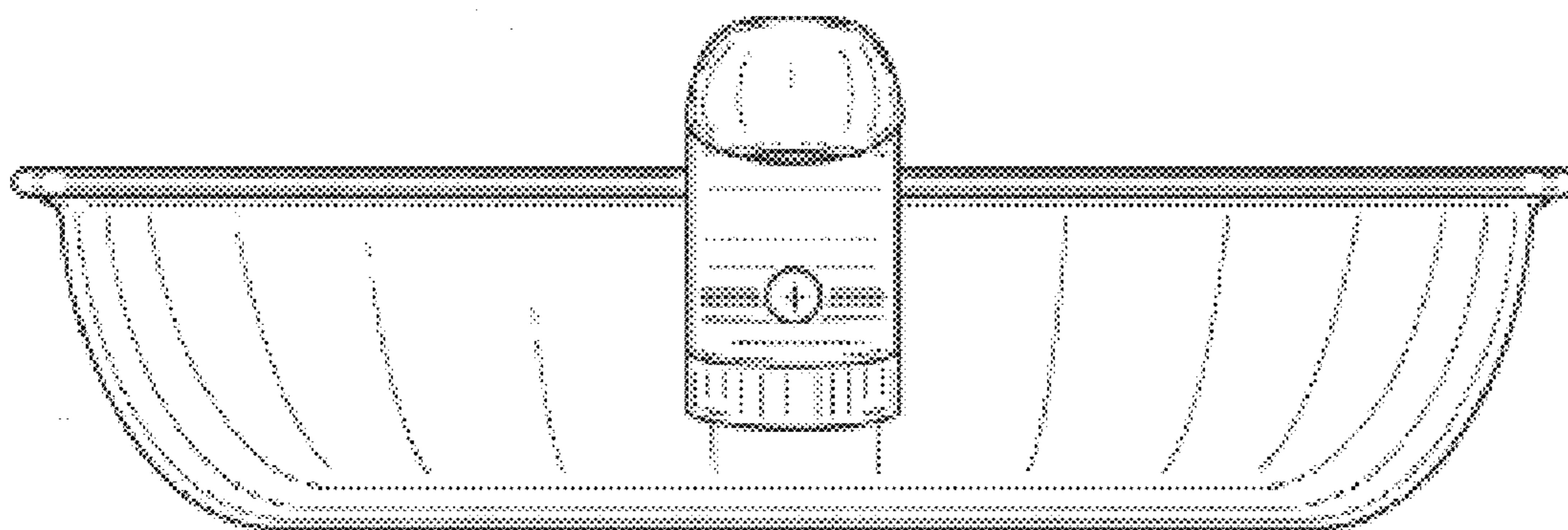


FIG. 4

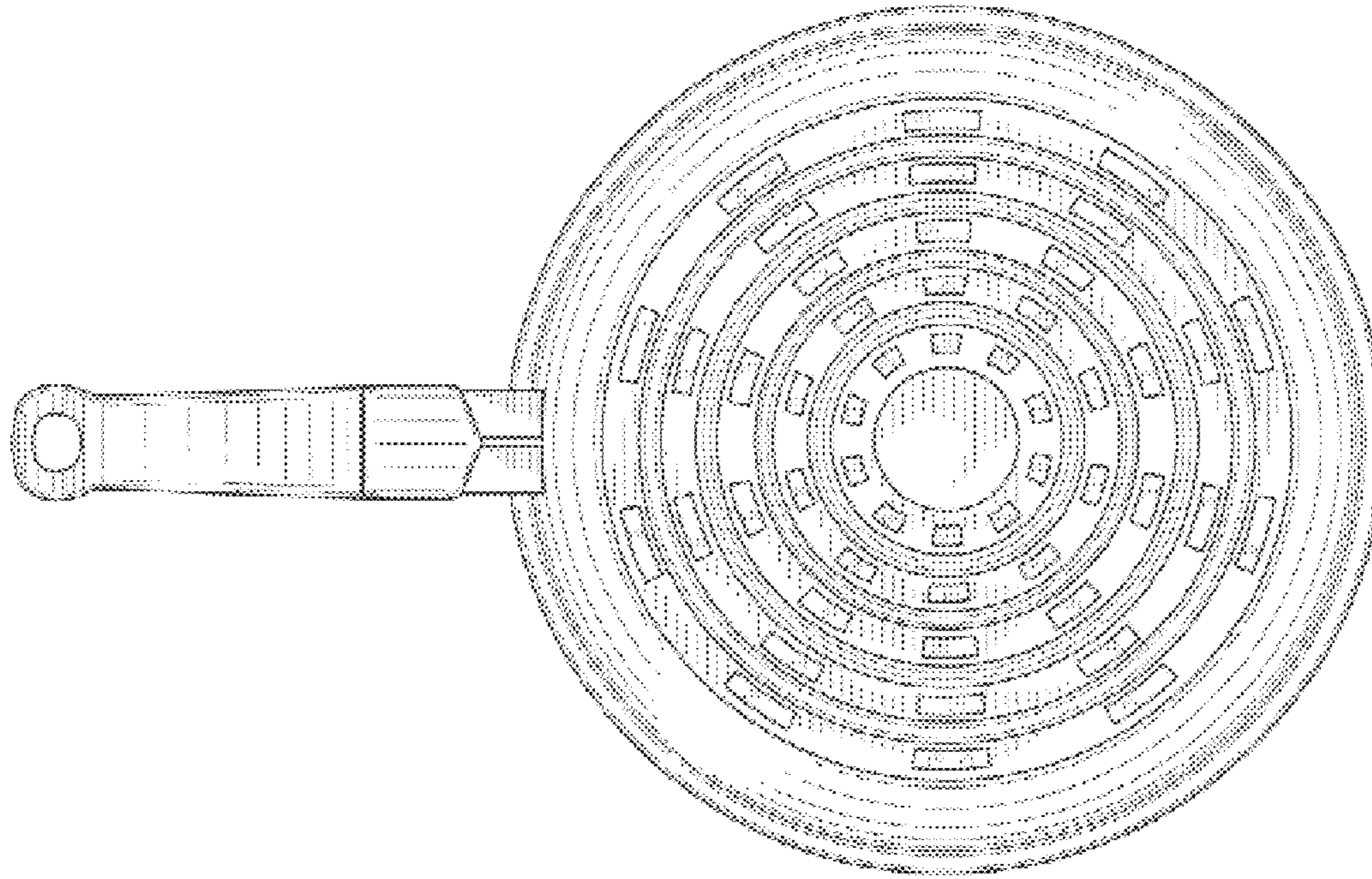


FIG. 6

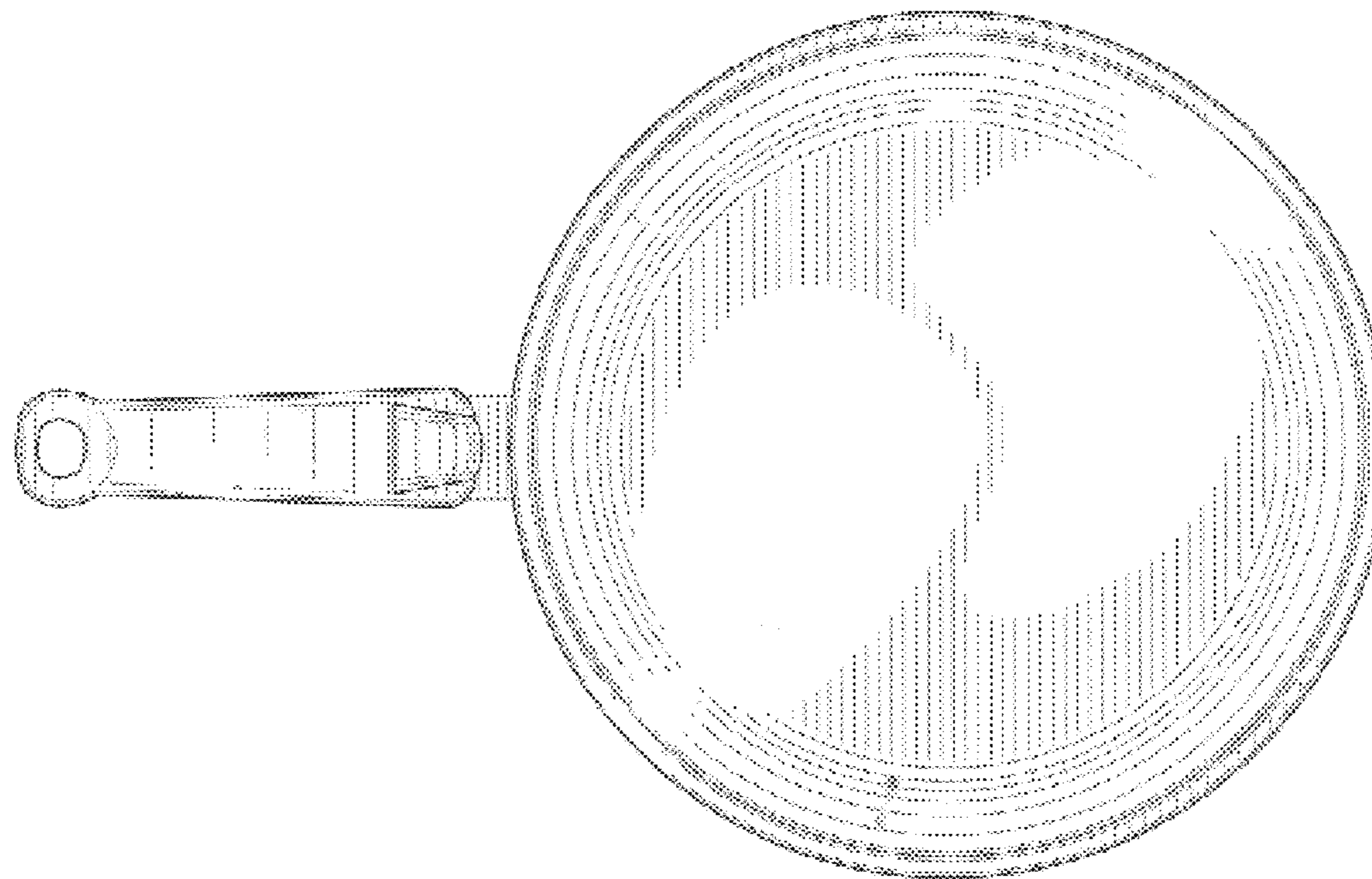


FIG. 5

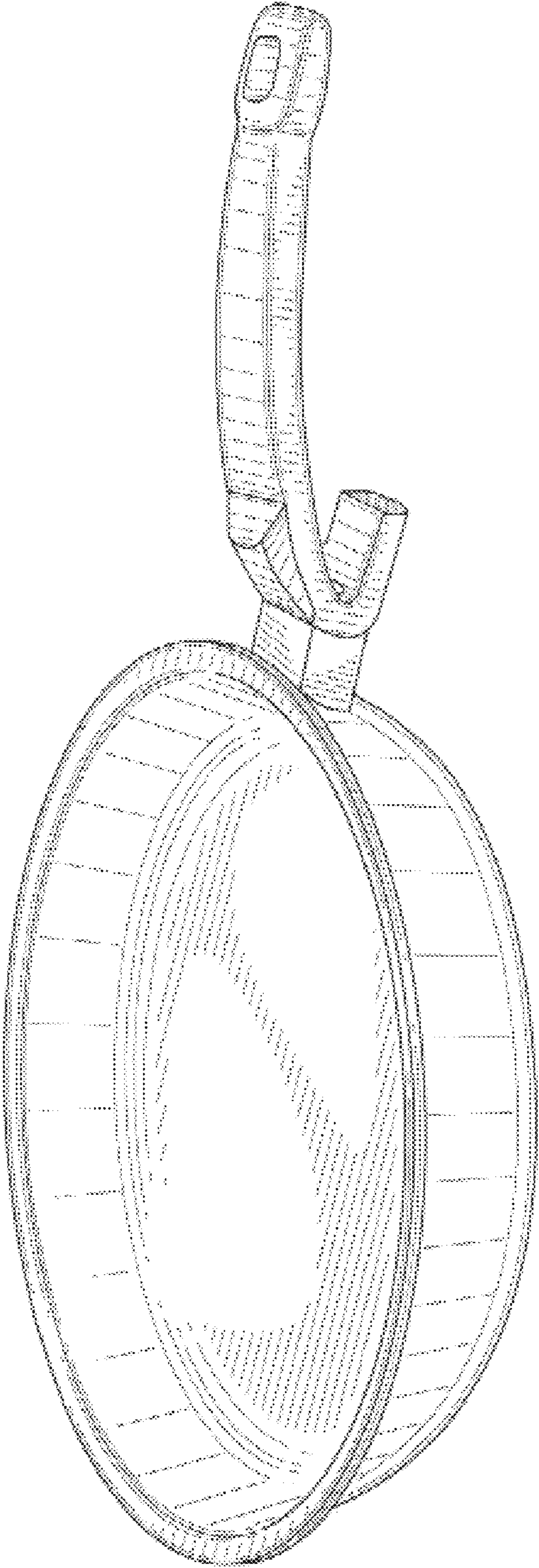


FIG. 7