



US00D589739S

(12) **United States Design Patent**
Giugiaro

(10) **Patent No.:** **US D589,739 S**

(45) **Date of Patent:** **** Apr. 7, 2009**

(54) **COFFEE MACHINE**

D551,487 S * 9/2007 Beretta D7/309
D573,393 S * 7/2008 Trazzi D7/309

(75) Inventor: **Fabrizio Giugiaro**, Moncalieri IO (IT)

* cited by examiner

(73) Assignee: **Gruppo Cimbali S.p.A.**, Binasco MI (IT)

Primary Examiner—Marianne Pandozzi

(74) *Attorney, Agent, or Firm*—Nixon & Vanderhye

(**) Term: **14 Years**

(57) **CLAIM**

(21) Appl. No.: **29/300,583**

The ornamental design for a “coffee machine,” as shown and described.

(22) Filed: **Apr. 11, 2008**

(51) **LOC (9) Cl.** **07-01**

(52) **U.S. Cl.** **D7/309; D7/308; D7/311**

(58) **Field of Classification Search** D7/300,
D7/306–311; 99/297, 300, 302, 279
See application file for complete search history.

DESCRIPTION

(56) **References Cited**

U.S. PATENT DOCUMENTS

- D395,975 S * 7/1998 Munoz D7/308
- D417,580 S * 12/1999 Fusi D7/309
- D439,788 S * 4/2001 Bettini D7/309
- D476,842 S * 7/2003 Cortese D7/309
- D479,842 S * 9/2003 Liu et al. D14/403
- 6,766,728 B2 * 7/2004 Fogagnolo et al. 99/280
- 6,862,978 B1 * 3/2005 Fogagnolo 99/279

FIG. 1 is a perspective view of the front and one side of the design;

FIG. 2 is a front elevational view of the design;

FIG. 3 is a rear elevational view of the design;

FIG. 4 is a plan view of the top of the design;

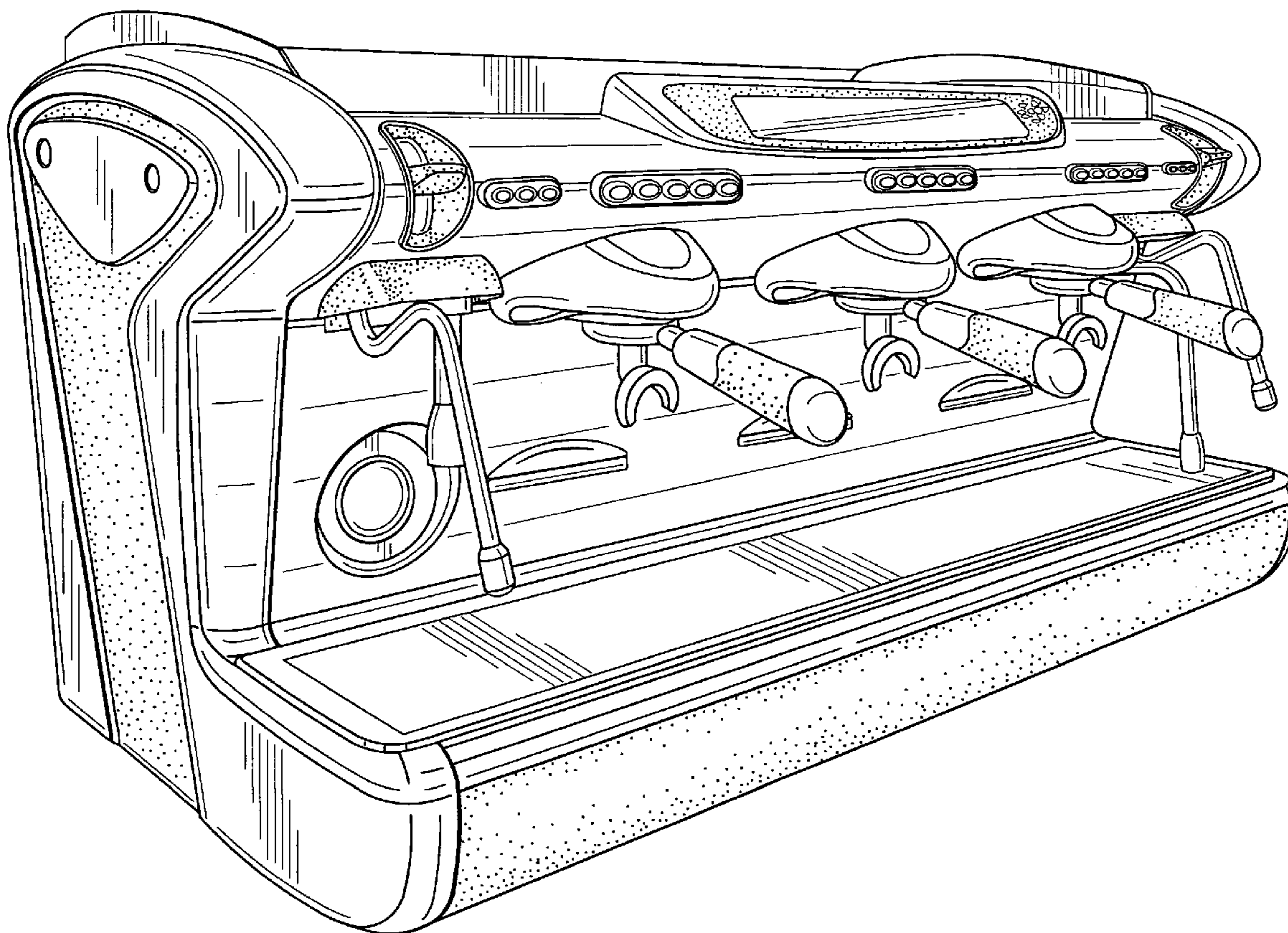
FIG. 5 is a plan view of the bottom of the design;

FIG. 6 is an elevational view of one side of the design; and,

FIG. 7 is an elevational view of the other side of the design.

The broken lines in the drawings are included for the purpose of illustration and form no part of the claimed design.

1 Claim, 7 Drawing Sheets



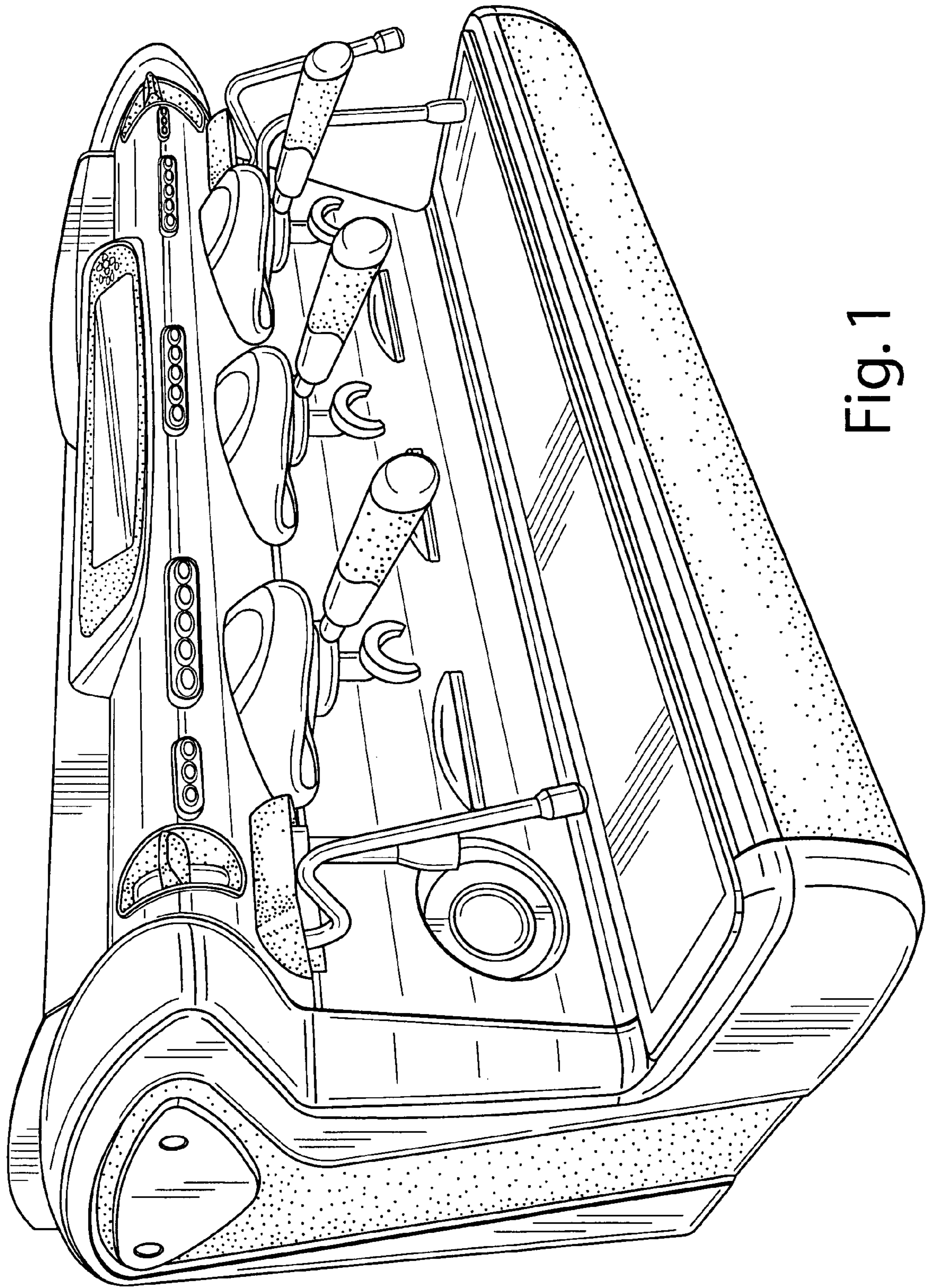


Fig. 1

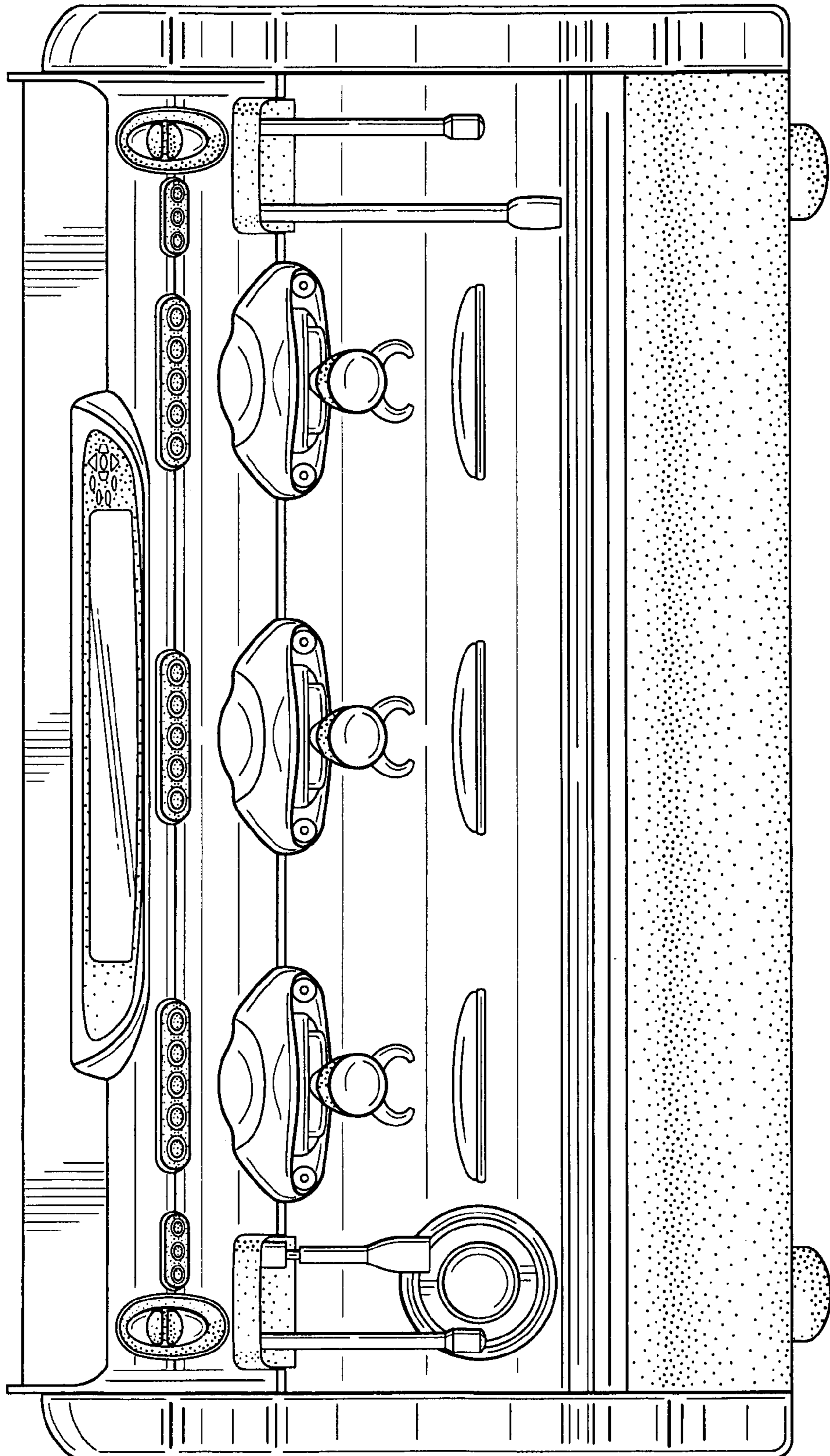


Fig. 2

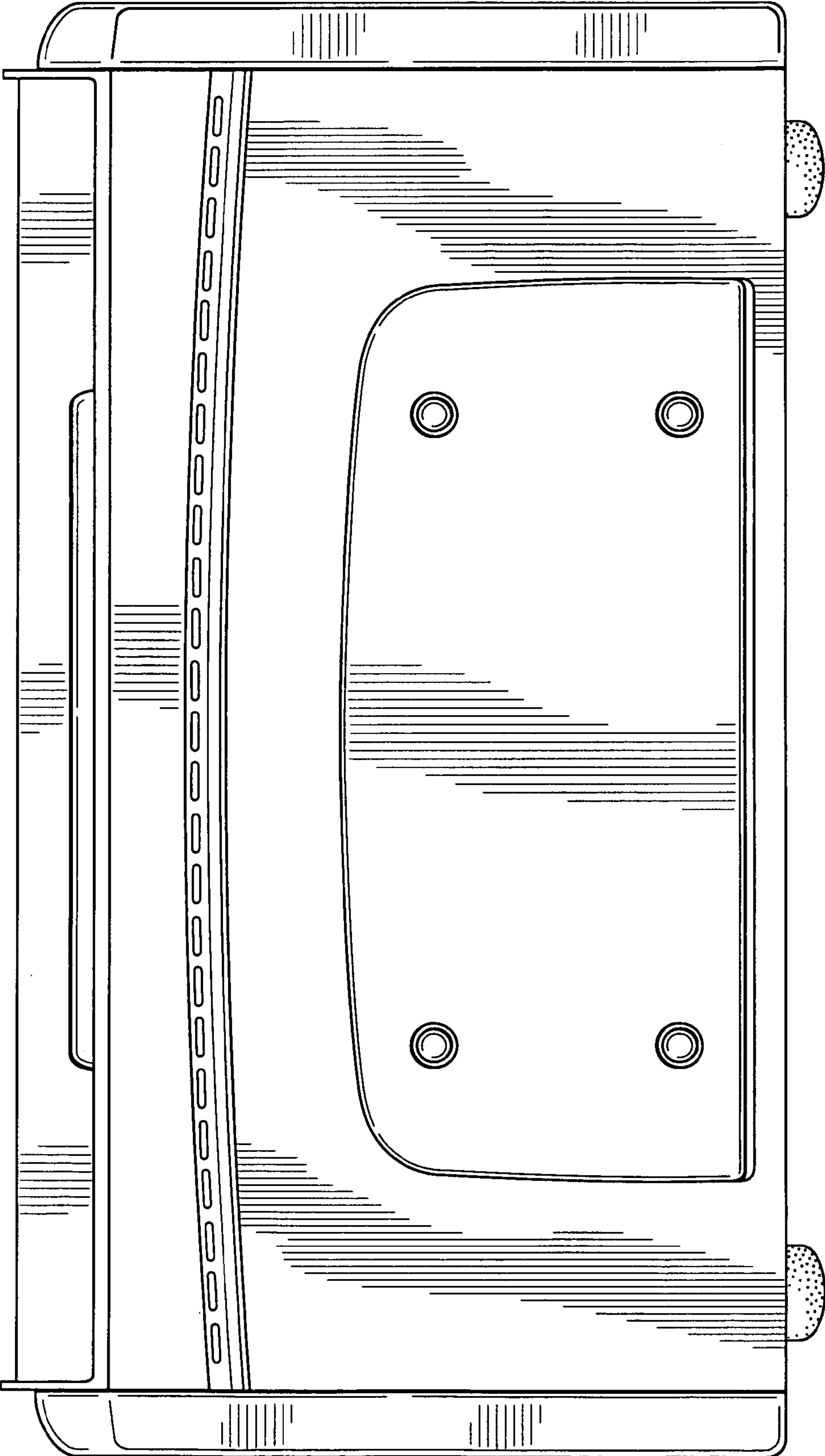


Fig. 3

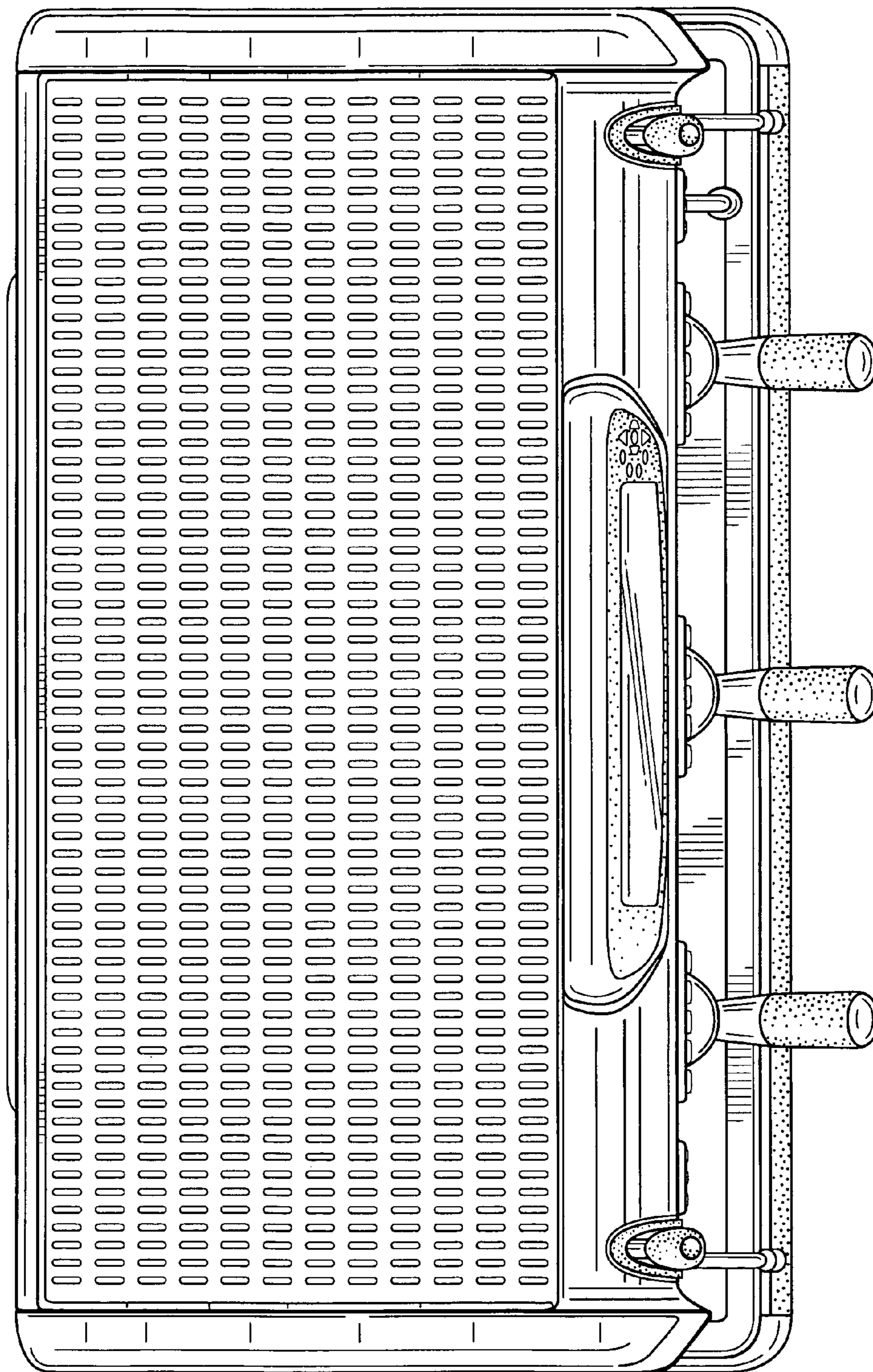


Fig. 4

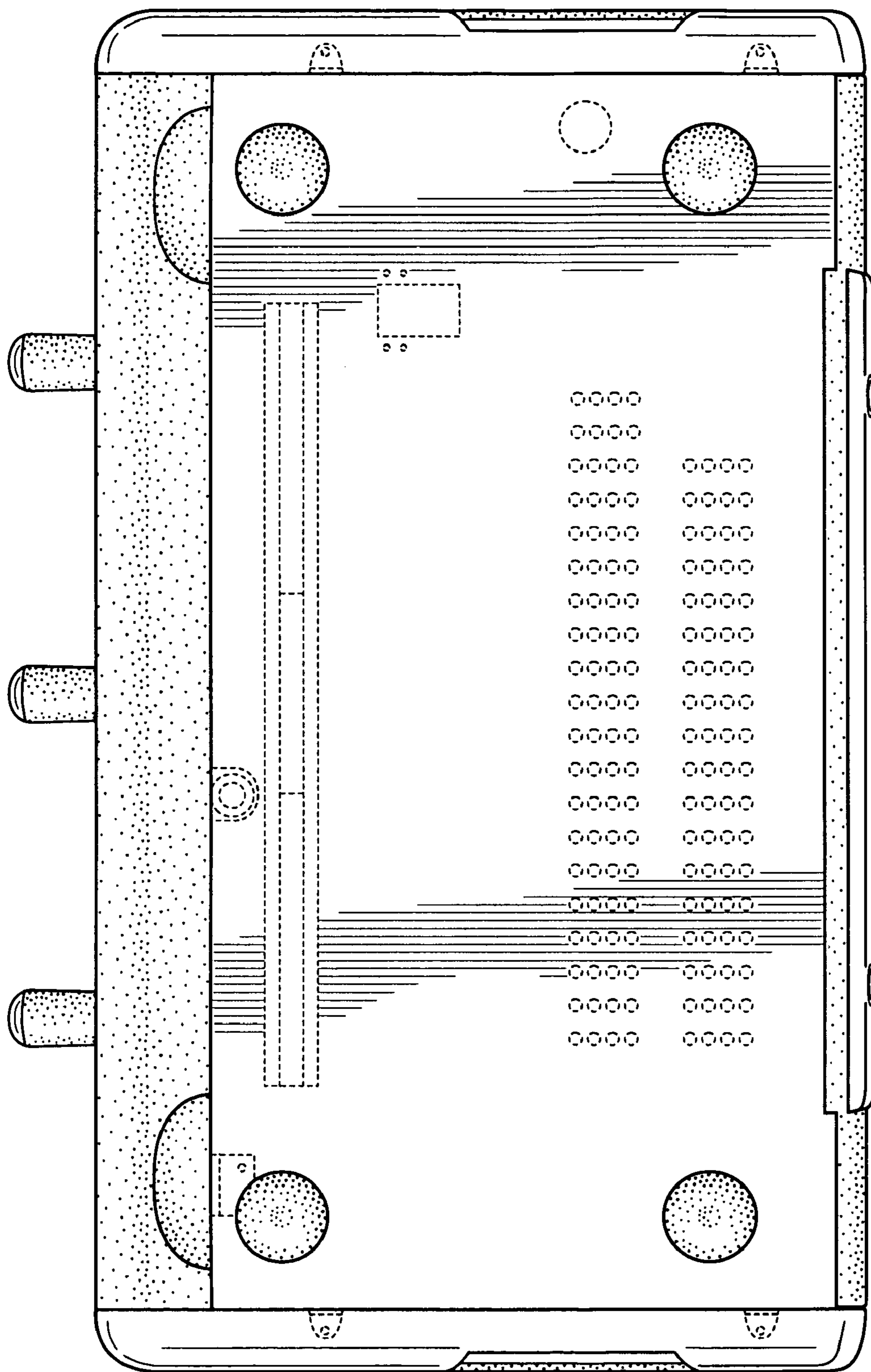


Fig. 5

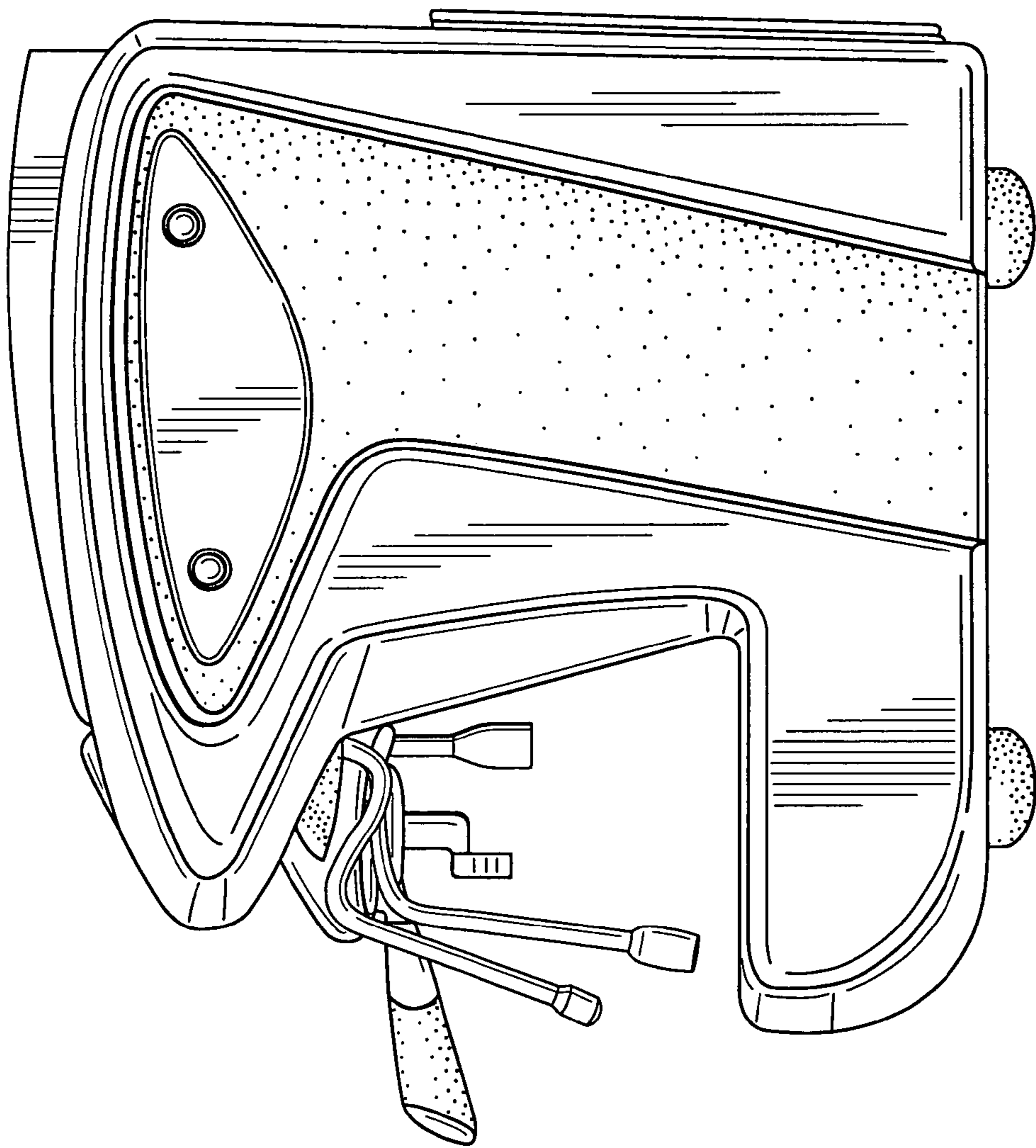


Fig. 6

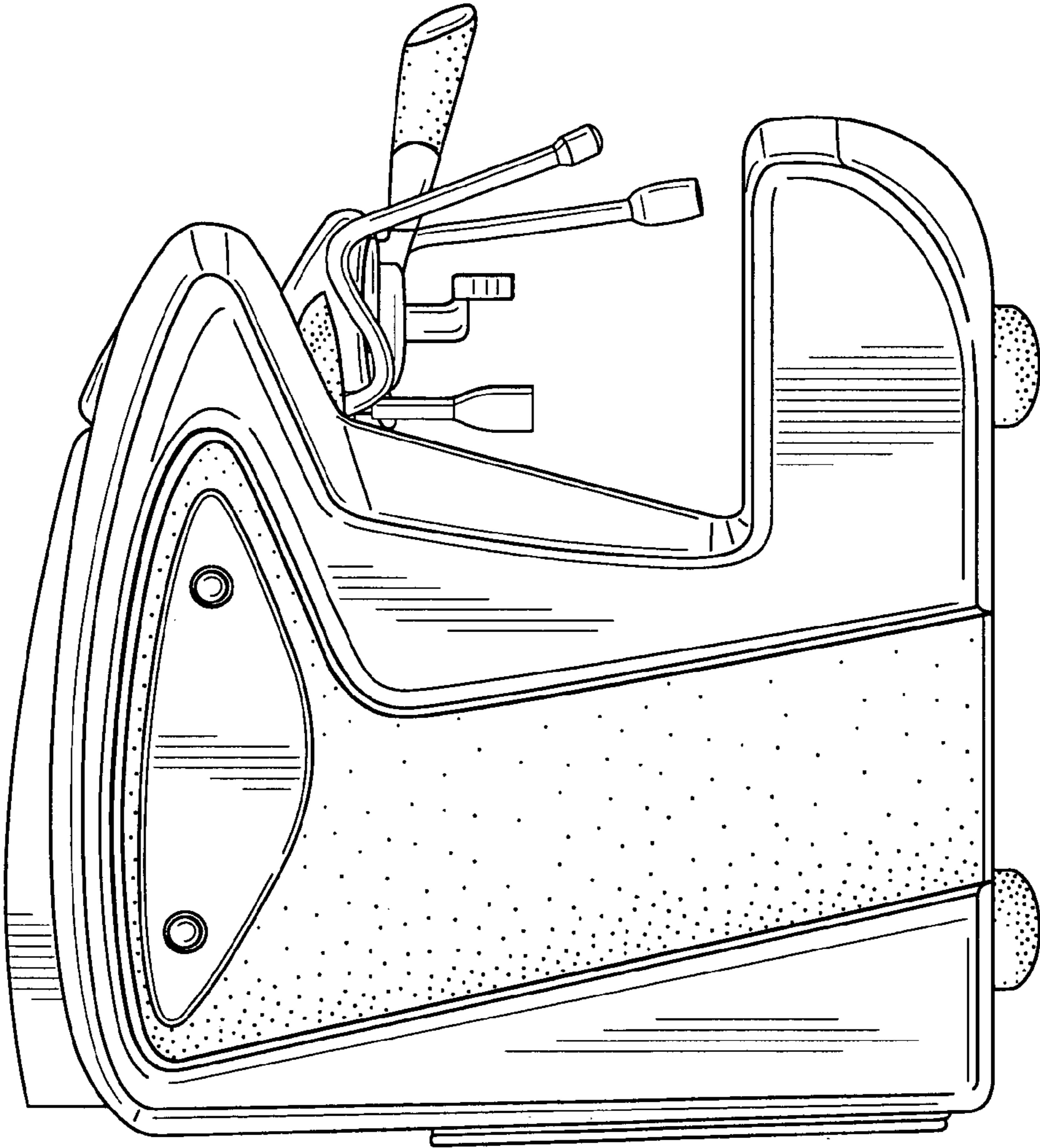


Fig. 7