



US00D589737S

(12) **United States Design Patent**  
**Wang**

(10) **Patent No.:** **US D589,737 S**

(45) **Date of Patent:** **\*\* Apr. 7, 2009**

(54) **DISC PACKAGE**

(75) Inventor: **Sheng-Jun Wang**, Chalwan (HK)

(73) Assignee: **Strongful Industrial Limited**, Chaiwan (HK)

(\*\*) Term: **14 Years**

(21) Appl. No.: **29/259,272**

(22) Filed: **May 2, 2006**

(51) **LOC (9) Cl.** ..... **06-02**

(52) **U.S. Cl.** ..... **D6/632; D9/428**

(58) **Field of Classification Search** ..... D6/407,  
D6/626-635; 206/307, 307.1, 308.1, 309,  
206/311, 312, 313, 310, 751; 211/40, 41.1,  
211/41.12; D9/428, 547

See application file for complete search history.

(56) **References Cited**

**U.S. PATENT DOCUMENTS**

4,700,839	A *	10/1987	Fujii	.....	206/308.3
D322,366	S *	12/1991	Kohler	.....	D6/407
6,112,894	A *	9/2000	Kikuchi et al.	.....	206/308.1
6,119,872	A *	9/2000	Flores et al.	.....	211/40
6,347,654	B1 *	2/2002	Koch	.....	156/391
D463,277	S *	9/2002	Yang	.....	D9/428
6,789,668	B2 *	9/2004	Kuo	.....	206/310
6,820,741	B2 *	11/2004	Ferguson et al.	.....	206/310
6,880,697	B2 *	4/2005	Cheng	.....	206/303
7,121,405	B2 *	10/2006	Ito et al.	.....	206/308.1
7,167,096	B2 *	1/2007	Marsilio et al.	.....	340/572.9

D556,492	S *	12/2007	Diz	.....	D6/632
7,316,312	B2 *	1/2008	Chiu	.....	206/303
7,380,656	B2 *	6/2008	Yeh	.....	206/303
2004/0099548	A1 *	5/2004	Ito et al.	.....	206/303

\* cited by examiner

*Primary Examiner*—Charles A Rademaker

*Assistant Examiner*—Charles D Hanson

(74) *Attorney, Agent, or Firm*—Law Office of Sergei Orel, LLC

(57) **CLAIM**

The ornamental design for a disc spindle box, as shown and described.

**DESCRIPTION**

FIG. 1 is a top view of a disc spindle box showing my new design;

FIG. 2 is a bottom view thereof;

FIG. 3 is a front view thereof;

FIG. 4 is a rearview thereof;

FIG. 5 is a side view thereof;

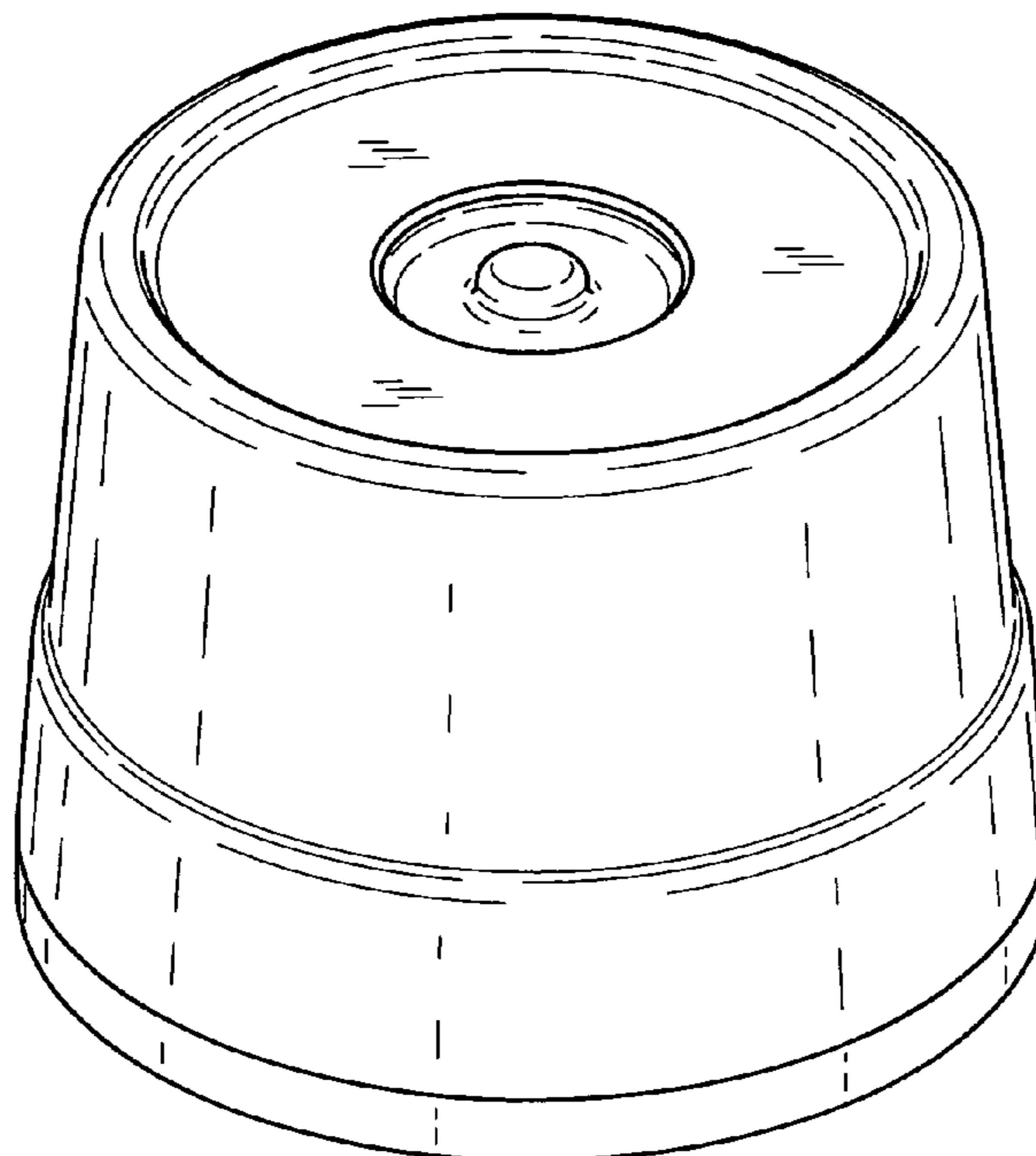
FIG. 6 is an opposite side view thereof;

FIG. 7 is a perspective view thereof;

FIG. 8 is a perspective view in disassembled state thereof; and,

FIG. 9 is perspective view in alternative position in disassembled state.

**1 Claim, 6 Drawing Sheets**



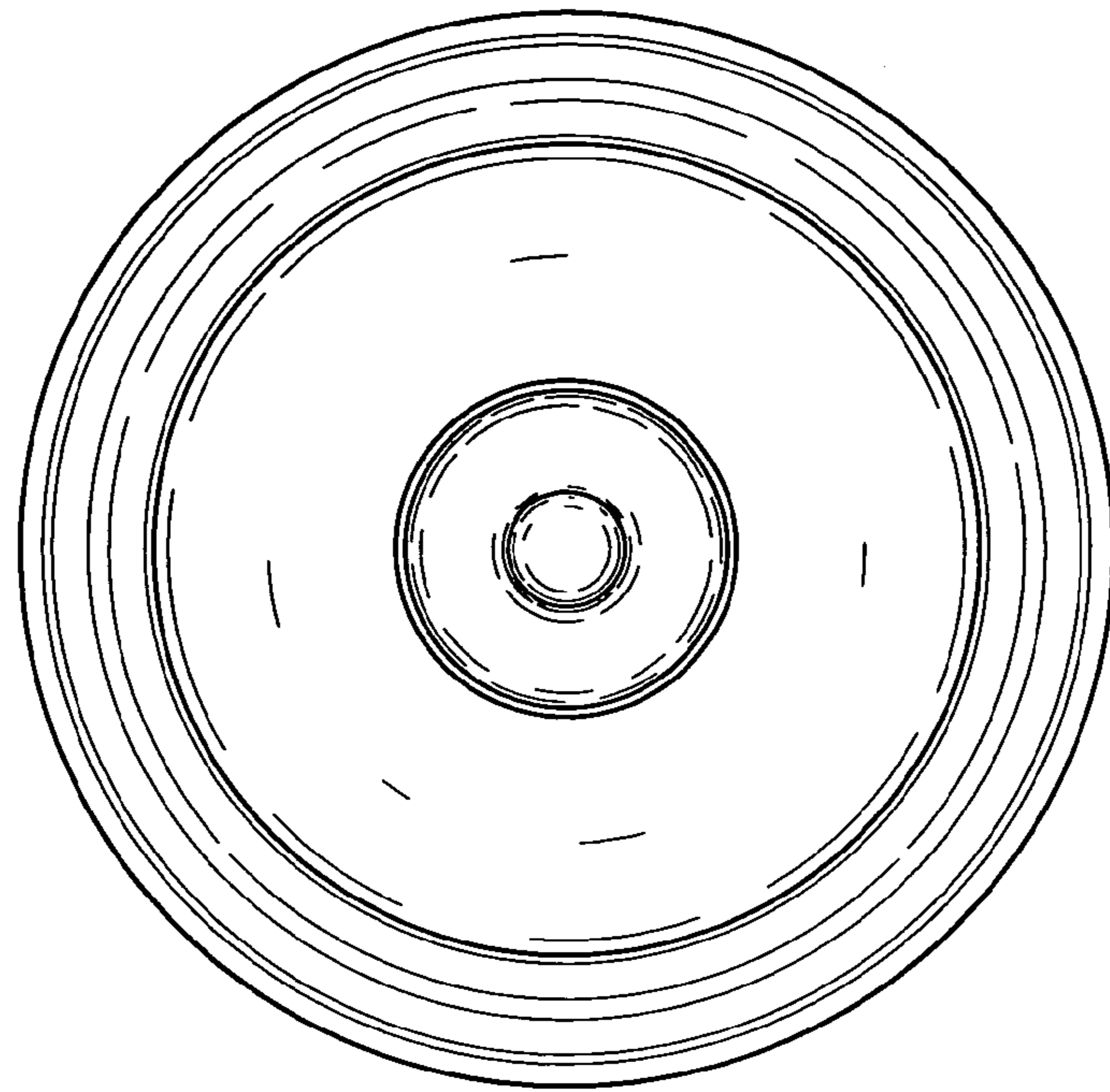


Fig.1

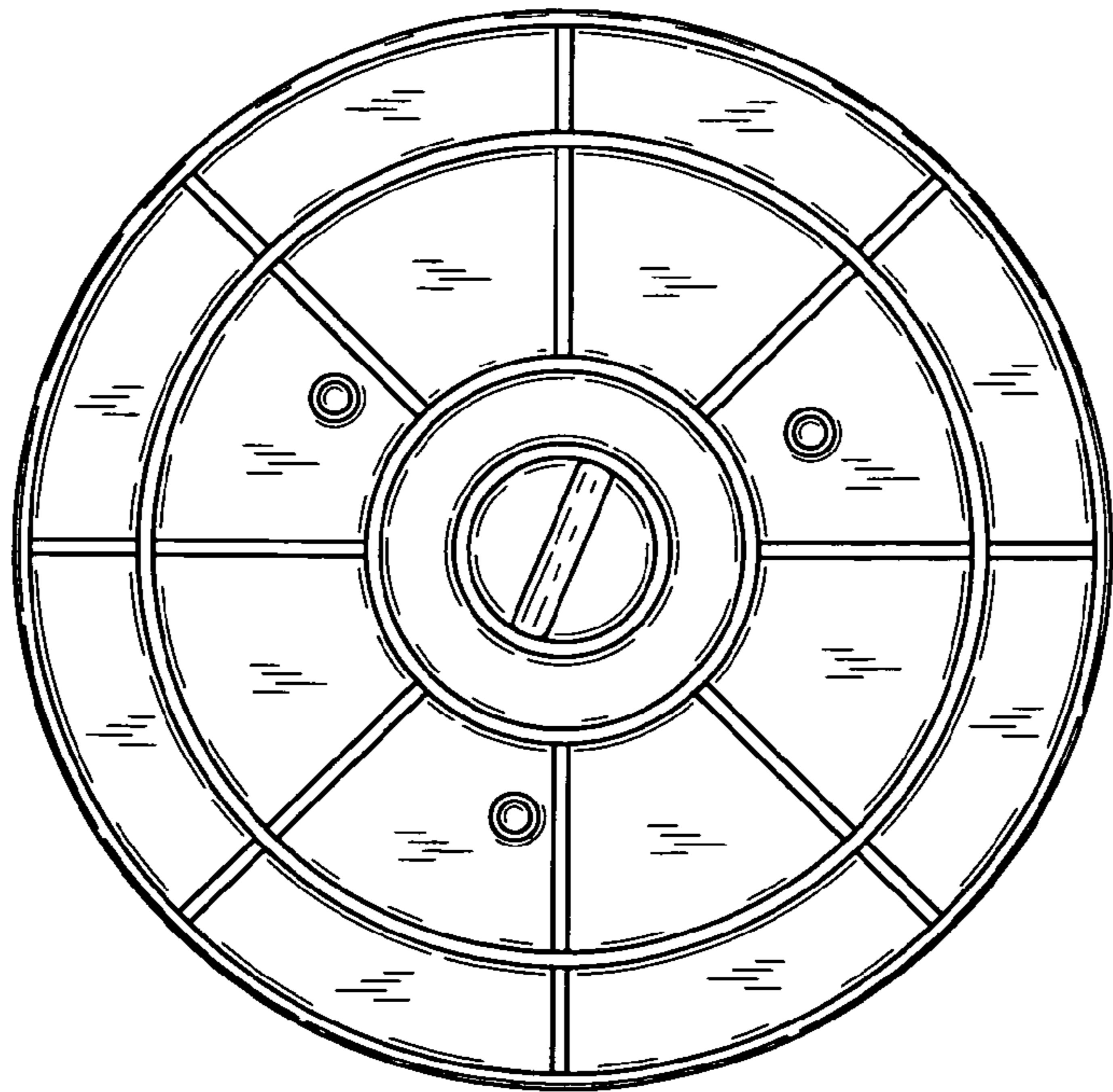


Fig.2

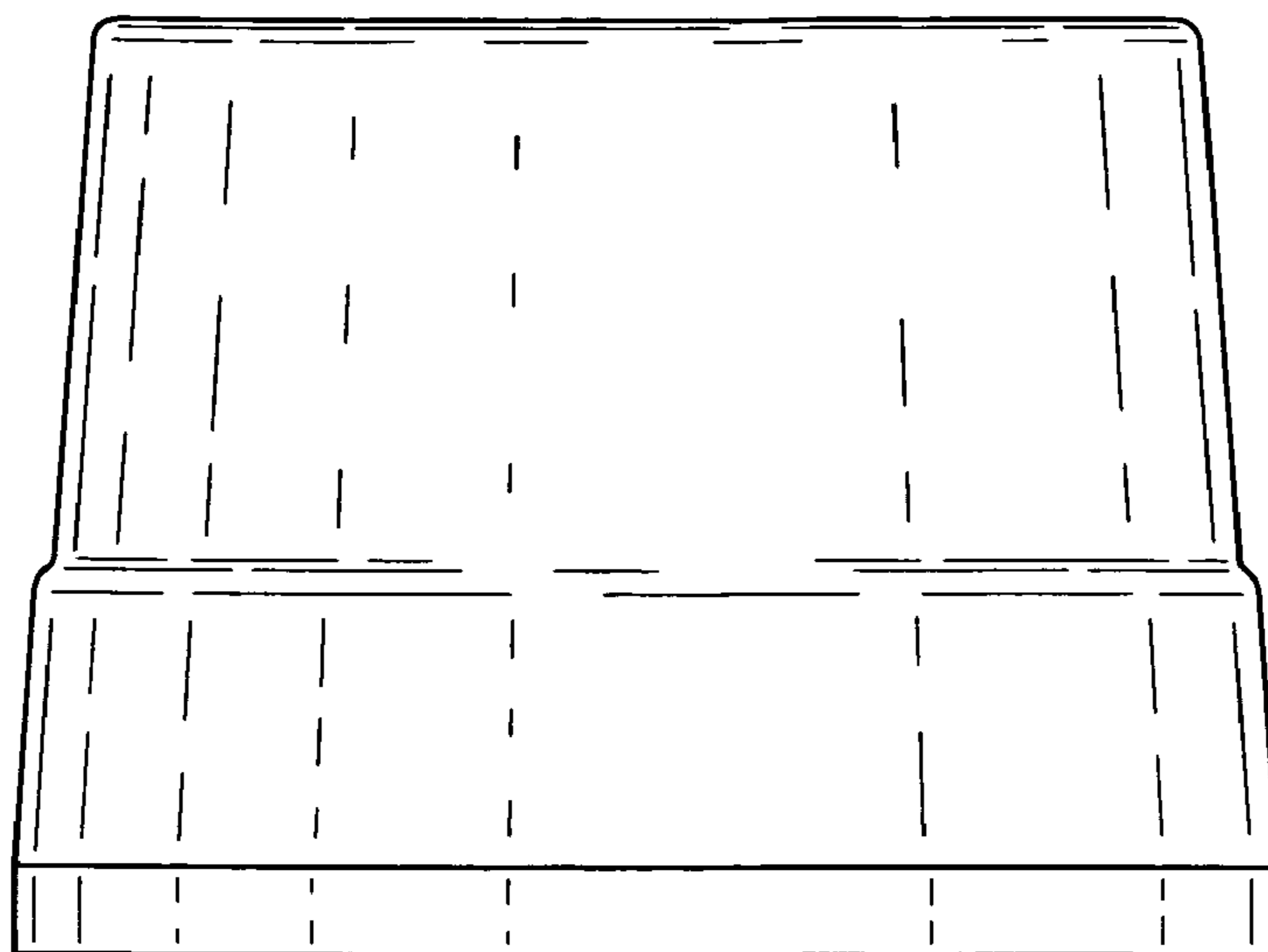


Fig.3

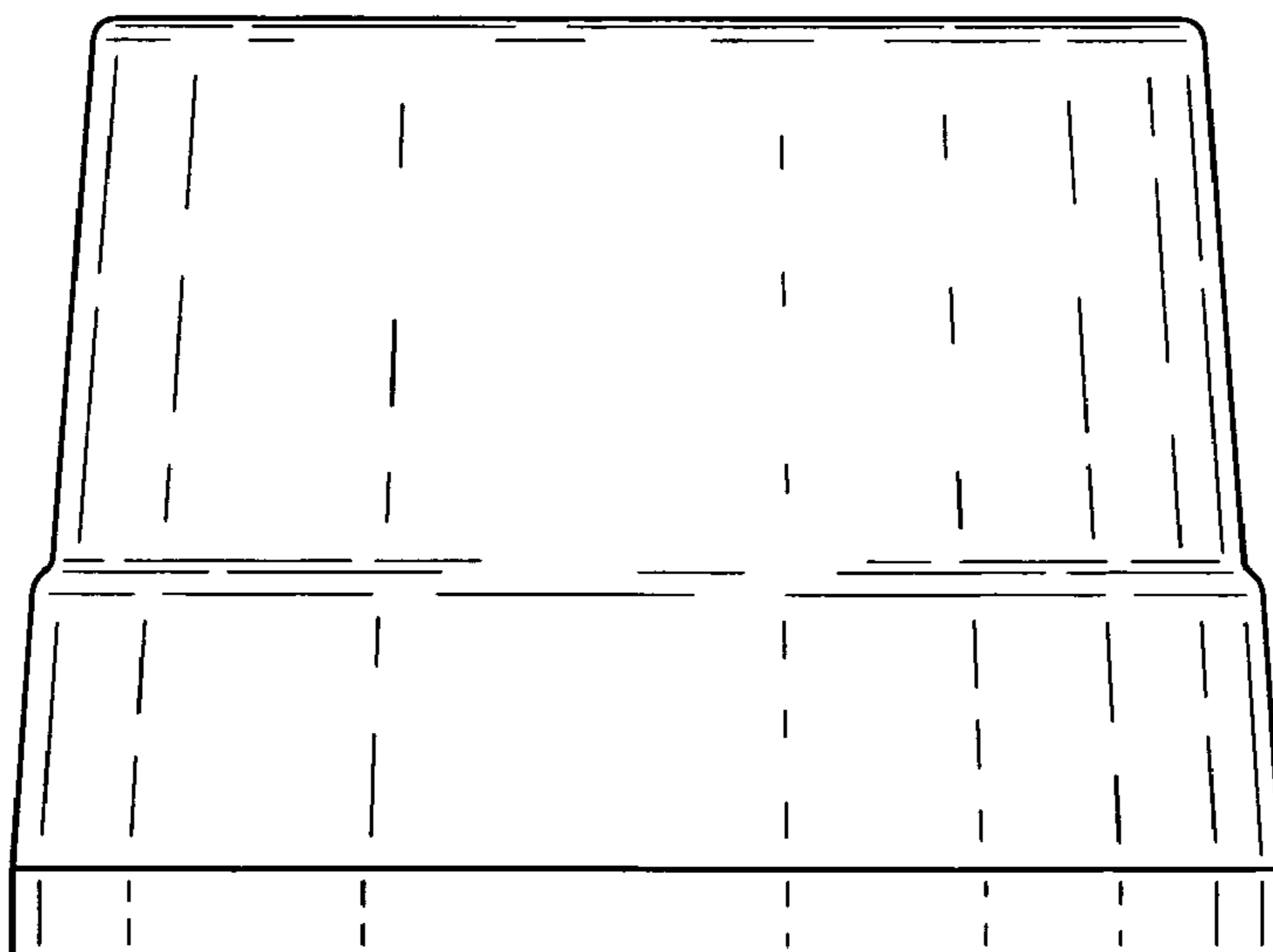


Fig.4

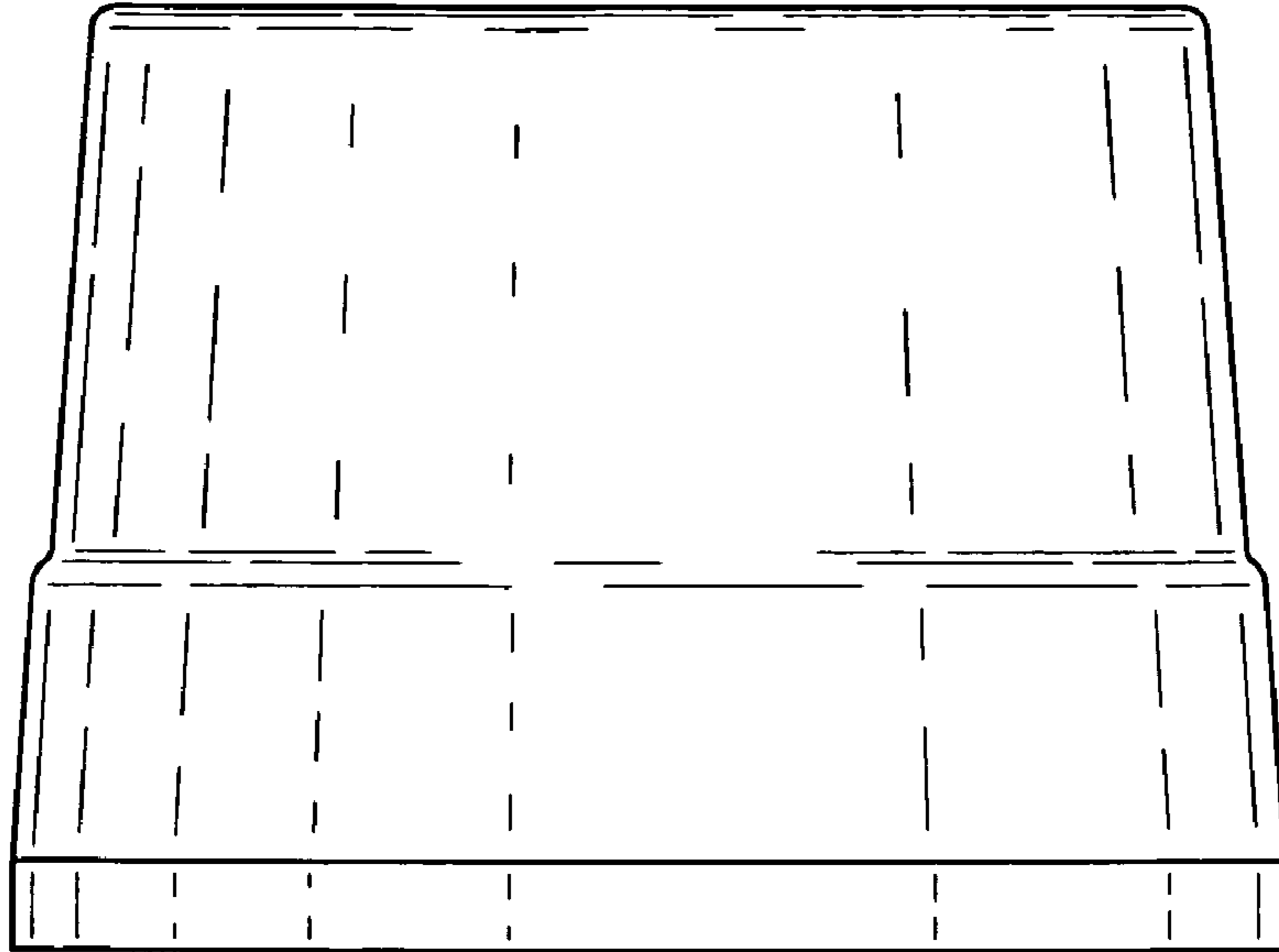


Fig.5

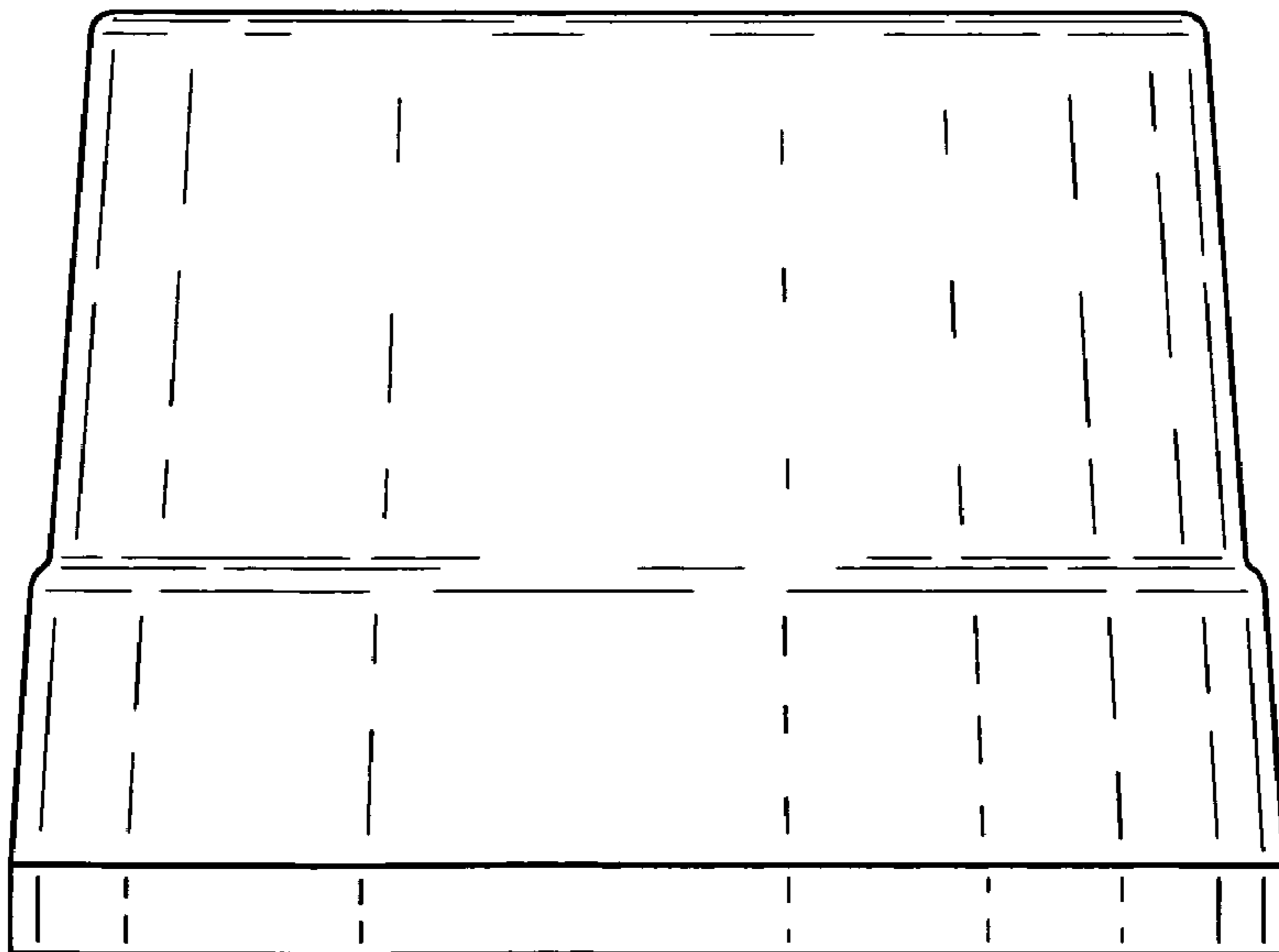


Fig.6

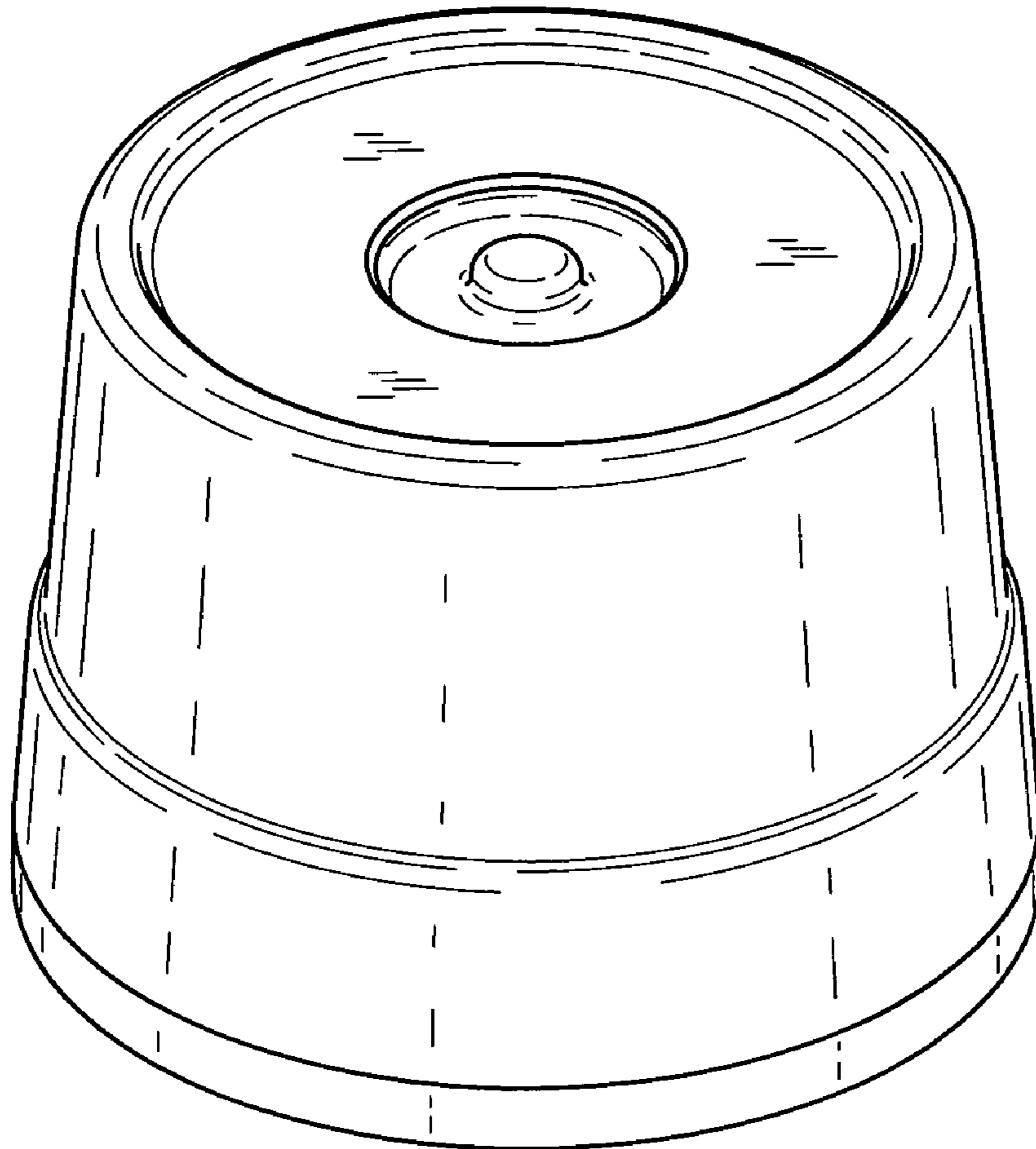


Fig.7

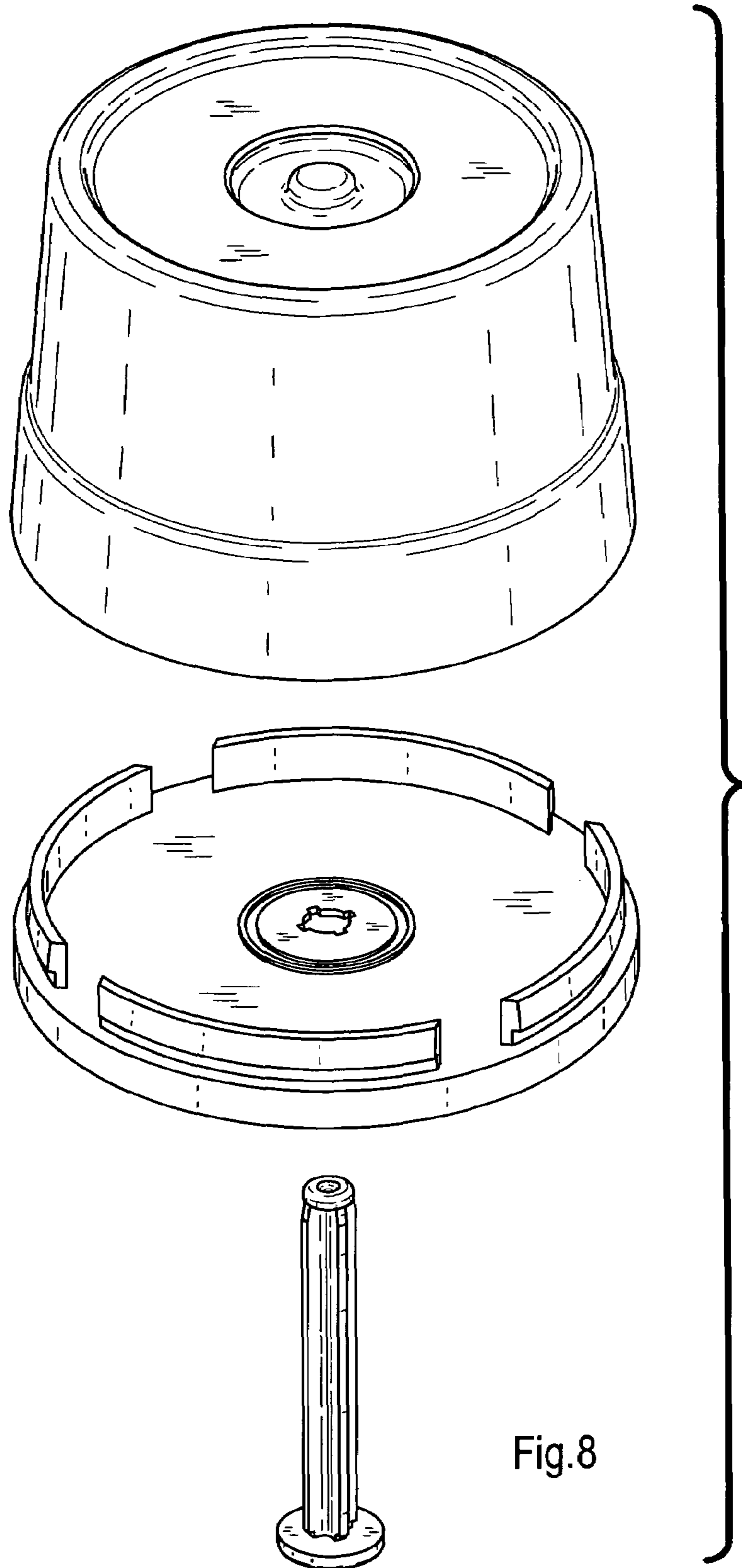


Fig.8



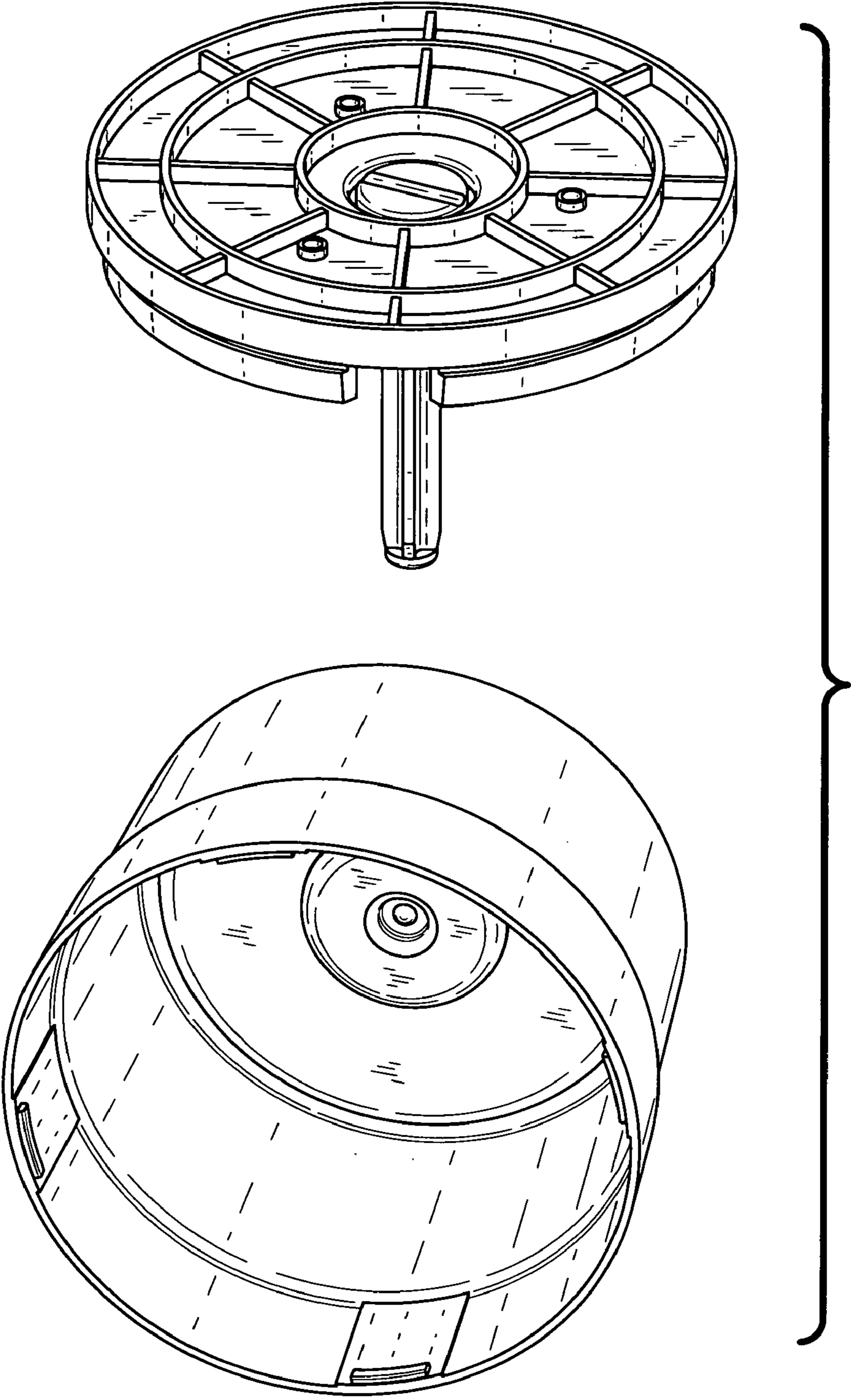


Fig.9