



US00D589736S

(12) **United States Design Patent**  
**Schreier**

(10) **Patent No.:** **US D589,736 S**

(45) **Date of Patent:** **\*\* Apr. 7, 2009**

(54) **CLIP TO KEEP COVERS ON A BED**

(75) Inventor: **Judith Schreier**, Colbert, WA (US)

(73) Assignee: **Judith E. Schreier**, Colbert, WA (US)

(\*\*) Term: **14 Years**

(21) Appl. No.: **29/302,921**

(22) Filed: **Jan. 28, 2008**

(51) **LOC (9) Cl.** ..... **06-06**

(52) **U.S. Cl.** ..... **D6/607**

(58) **Field of Classification Search** ..... D6/607;  
D19/34, 65; D8/395; D9/666; 5/498, 495-496,  
5/482

See application file for complete search history.

(56) **References Cited**

**U.S. PATENT DOCUMENTS**

D16,548 S *	2/1886	McGill	.....	D19/65
D25,058 S *	1/1896	Desjardins	.....	D8/395
2,964,010 A *	12/1960	Harrison	.....	116/234
D304,978 S *	12/1989	Harrington	.....	D8/395
D322,519 S *	12/1991	Holtz	.....	D6/328

D410,679 S \* 6/1999 Blanchard et al. .... D19/34

\* cited by examiner

*Primary Examiner*—Janice E Seeger

(57) **CLAIM**

The ornamental design for a clip to keep covers on a bed, as shown and described.

**DESCRIPTION**

FIG. 1 is a perspective view of a clip to keep covers on a bed, showing my new design;

FIG. 2 is a front elevational view of the invention;

FIG. 3 is a rear elevational view of the invention;

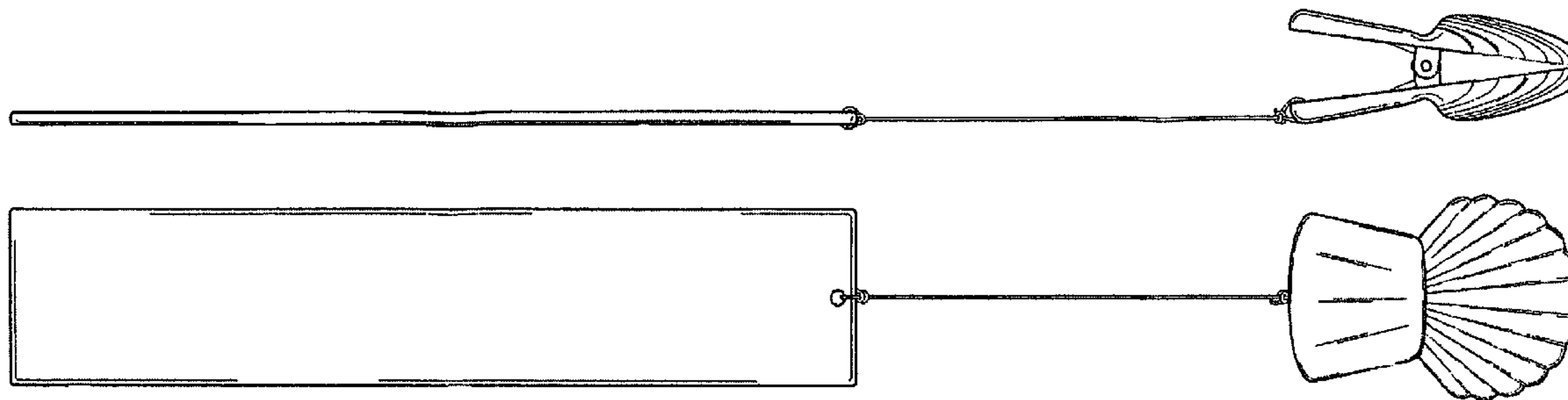
FIG. 4 is a left-side elevational view of the invention, the right-side elevational view being a mirror image thereof;

FIG. 5 is a top plan view of the invention; and,

FIG. 6 is a bottom plan view of the invention.

The broken lines showing a bed in FIG. 1 are included for the purpose of illustrating the invention in use, and form no part of the claimed design.

**1 Claim, 2 Drawing Sheets**



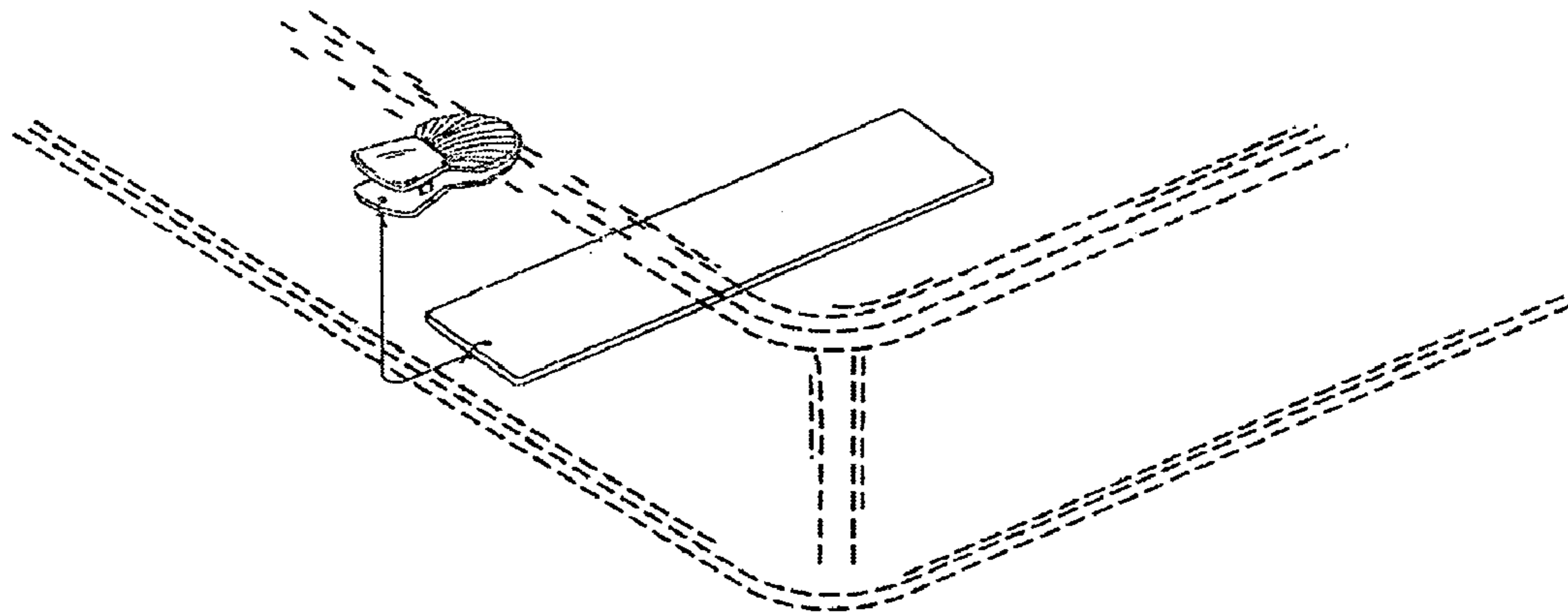


FIG. 1

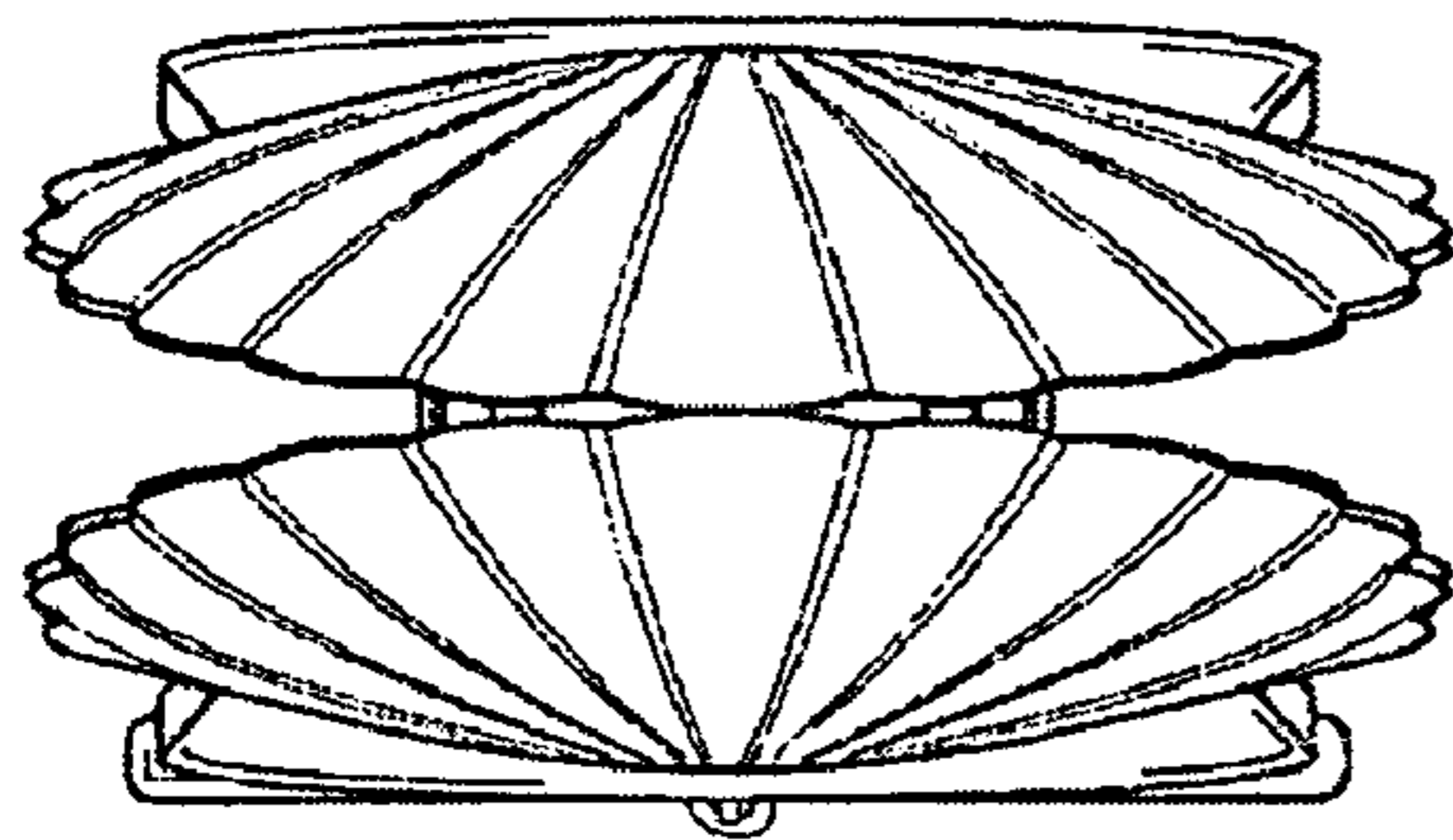


FIG. 2

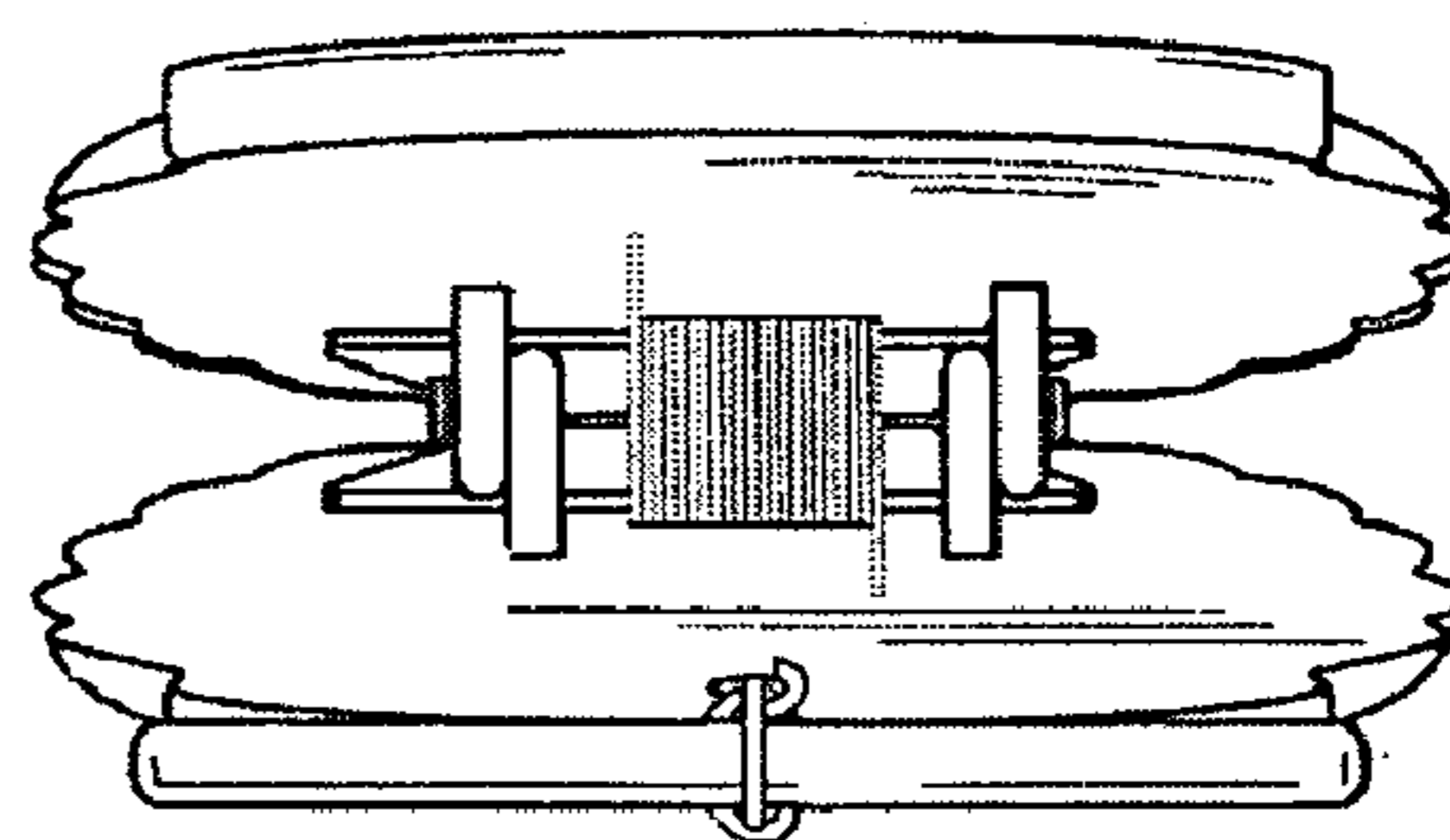


FIG. 3

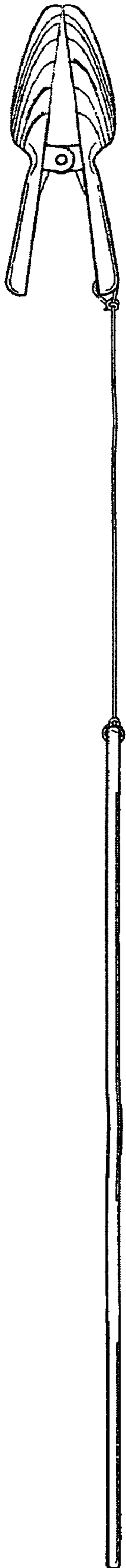


FIG. 4

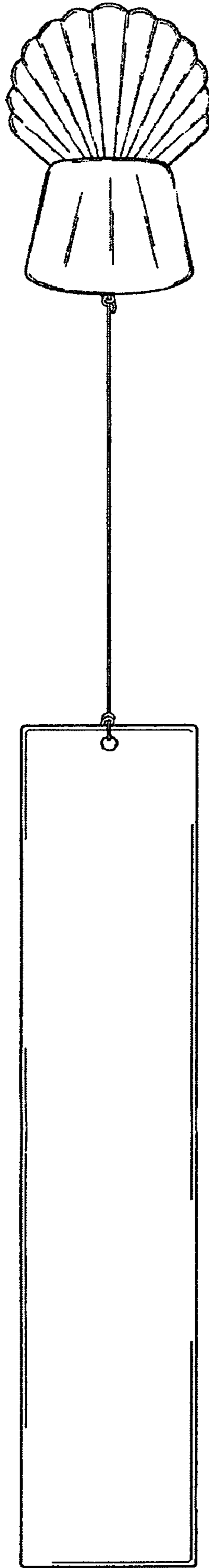


FIG. 5

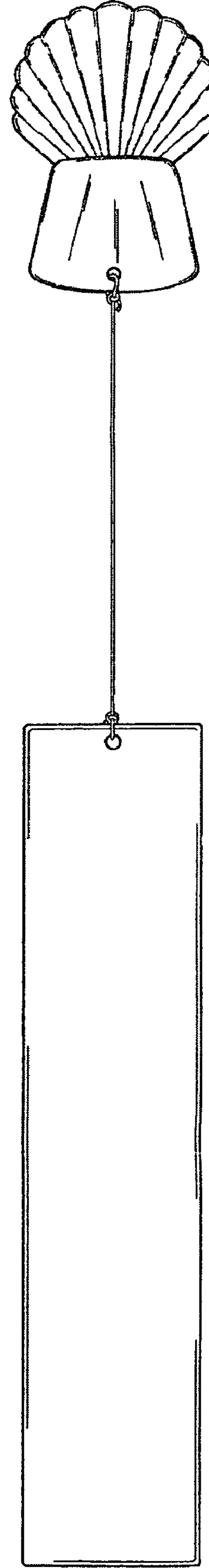


FIG. 6