

US00D589735S

(12) **United States Design Patent**
Kaiser et al.

(10) **Patent No.:** **US D589,735 S**

(45) **Date of Patent:** **** Apr. 7, 2009**

(54) **MULTIPURPOSE SHEET**

6,393,638 B1 * 5/2002 MacColl 5/419
D551,891 S * 10/2007 Kaiser et al. D6/603

(76) Inventors: **Kevin M. Kaiser**, 1316 Hollywood,
Glenview, IL (US) 60025; **Jonathan M.**
Neff, 1316 Hollywood, Glenview, IL
(US) 60025

* cited by examiner

Primary Examiner—Caron Veynar

Assistant Examiner—Mary Ann Calabrese

(74) *Attorney, Agent, or Firm*—Law Offices of David L.
Hoffman

(**) **Term:** **14 Years**

(21) **Appl. No.:** **29/289,940**

(22) **Filed:** **Aug. 8, 2007**

(51) **LOC (9) Cl.** **06-13**

(52) **U.S. Cl.** **D6/602**

(58) **Field of Classification Search** D6/582,
D6/583, 595, 596, 602, 603, 608–613; 5/413 AM,
5/413 R, 417–420, 482–486, 494–500; 224/576,
224/577; 428/81

See application file for complete search history.

(56) **References Cited**

U.S. PATENT DOCUMENTS

- 4,634,618 A * 1/1987 Greer et al. 428/81
- 4,654,906 A * 4/1987 Roberts 5/417
- D317,841 S * 7/1991 Mendyk D6/602
- 5,414,881 A * 5/1995 Terrazas 5/417
- 5,481,768 A * 1/1996 Shink 5/482
- 5,785,219 A * 7/1998 Kraft 224/576

(57) **CLAIM**

The ornamental design for a multipurpose sheet, as shown
and described.

DESCRIPTION

FIG. 1 is a top perspective view of my multipurpose sheet
showing my new design, the broken lines represent stitching
forming part of the claimed design;

FIG. 2 is a top view thereof;

FIG. 3 is a bottom view thereof;

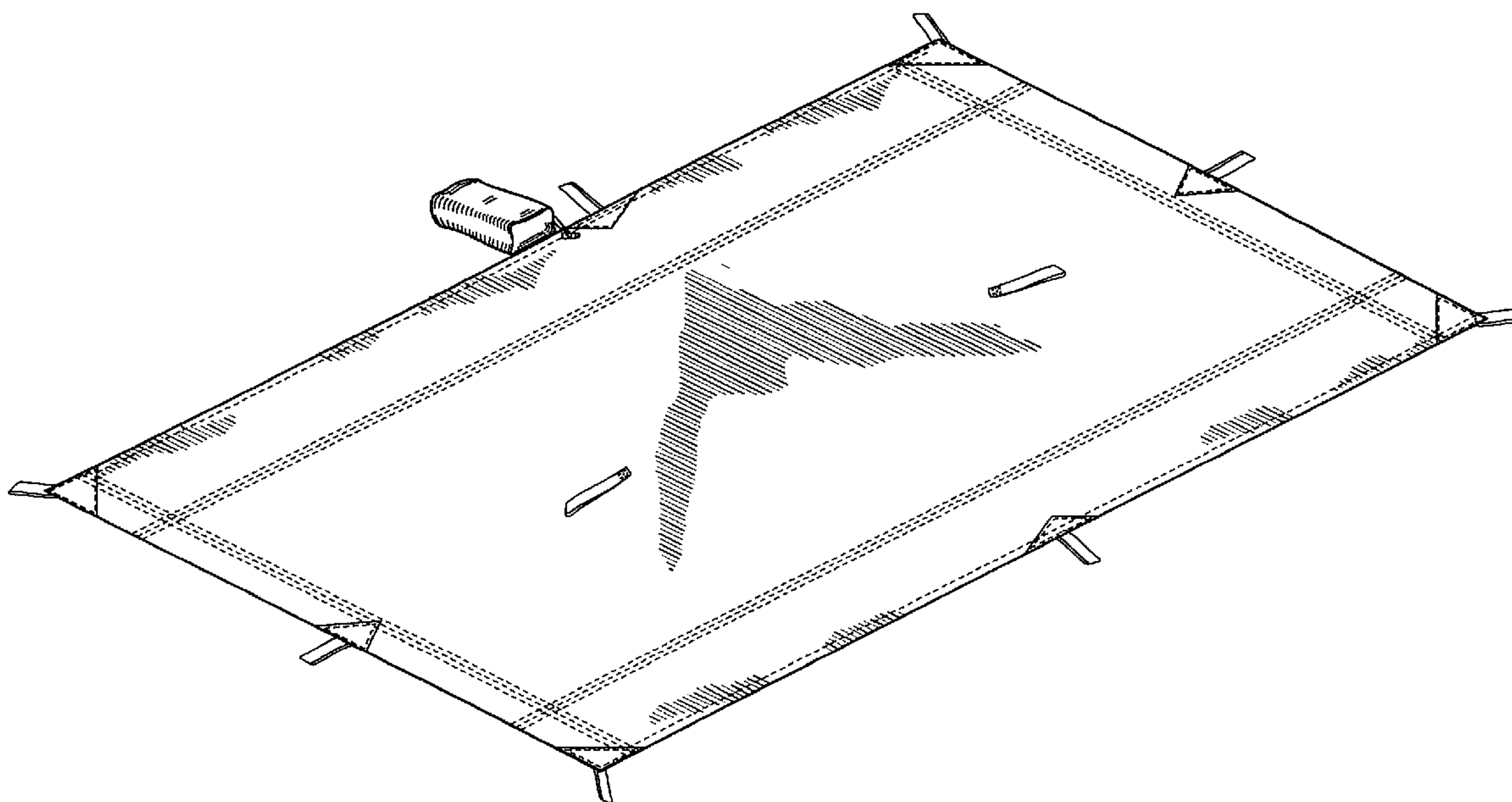
FIG. 4 is a right side elevational view thereof;

FIG. 5 is a left side elevational view thereof;

FIG. 6 is a rear elevational view thereof; and,

FIG. 7 is a front elevational view thereof.

1 Claim, 4 Drawing Sheets



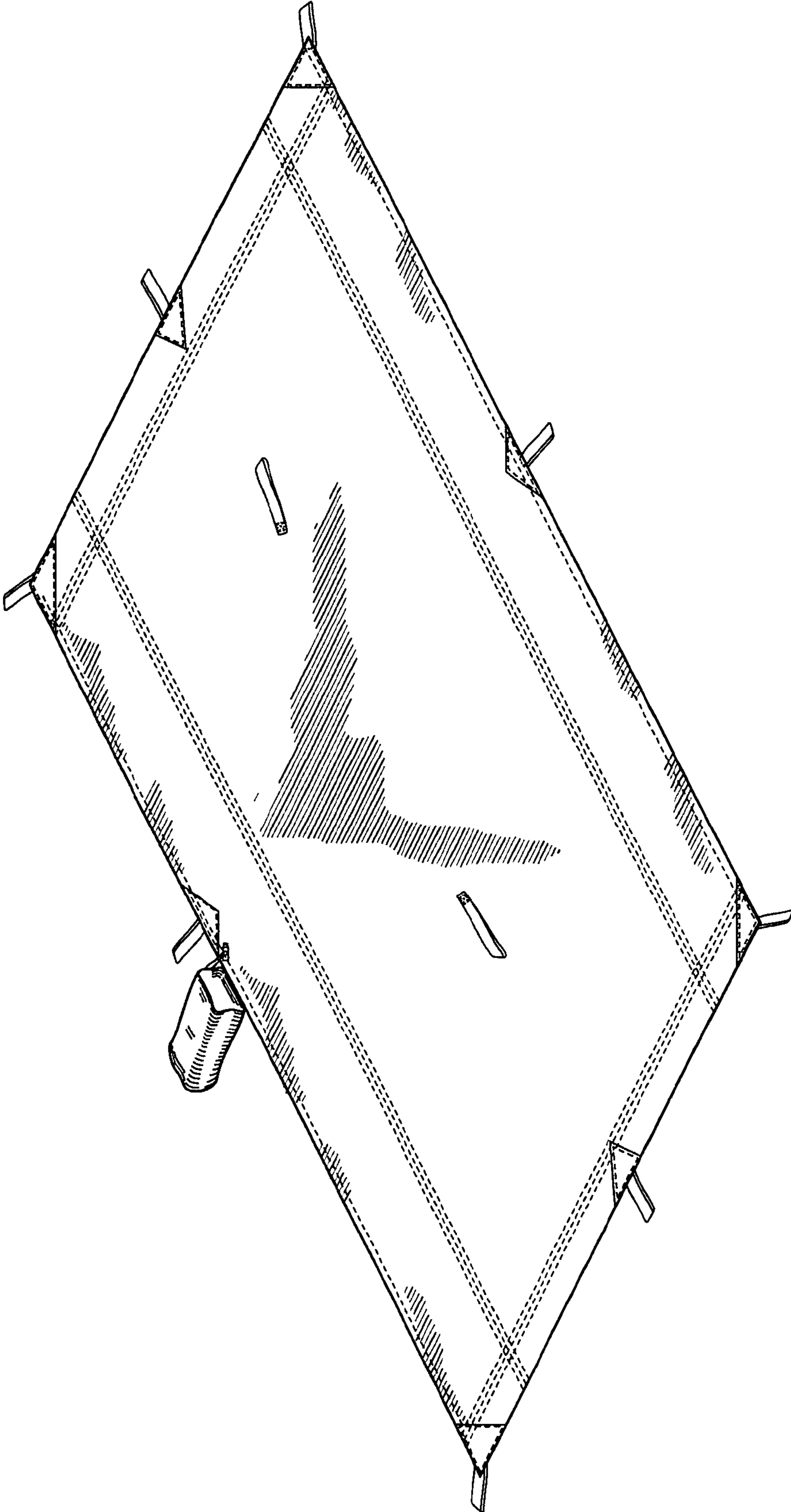


FIG. 1

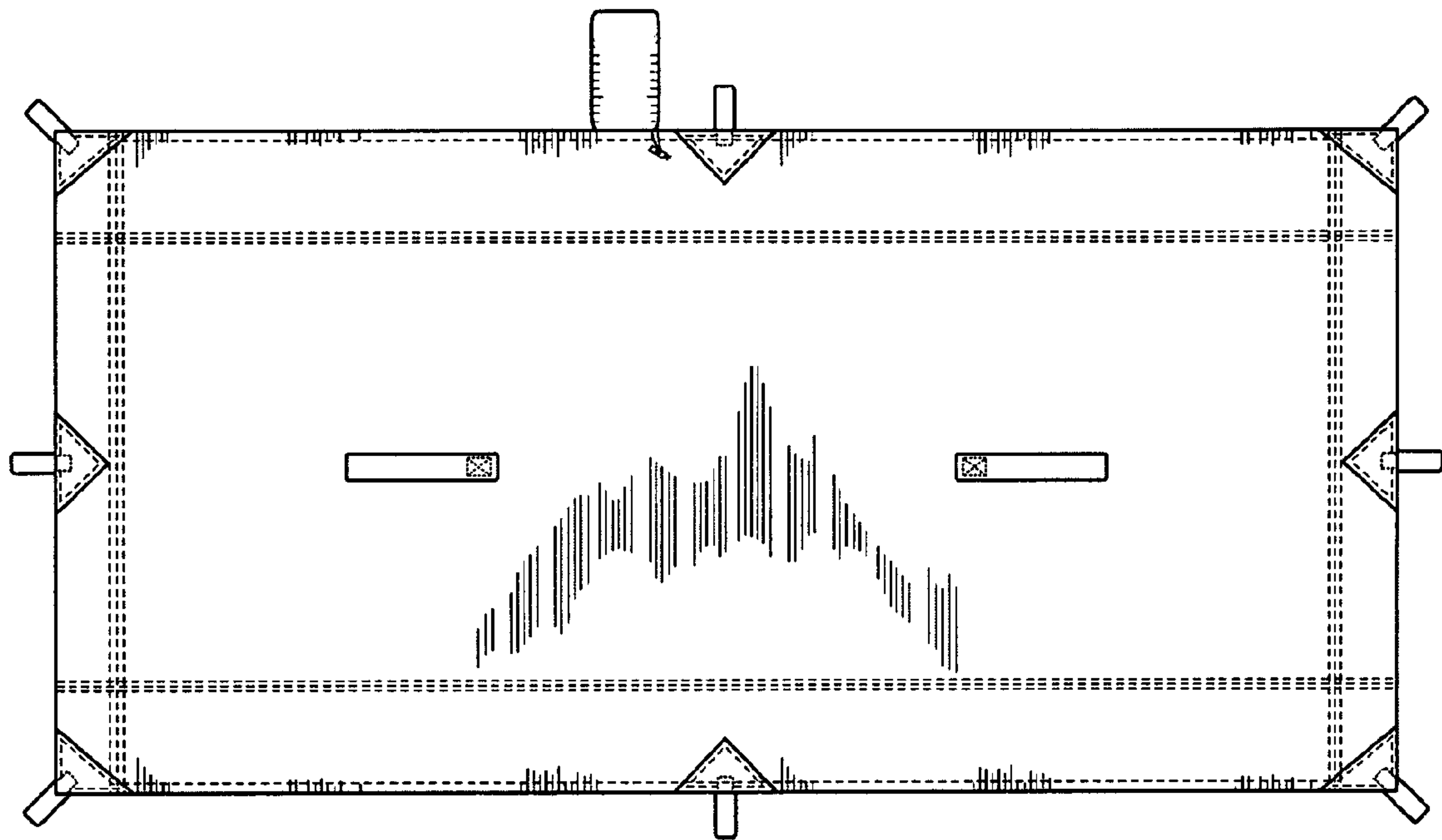


FIG. 2

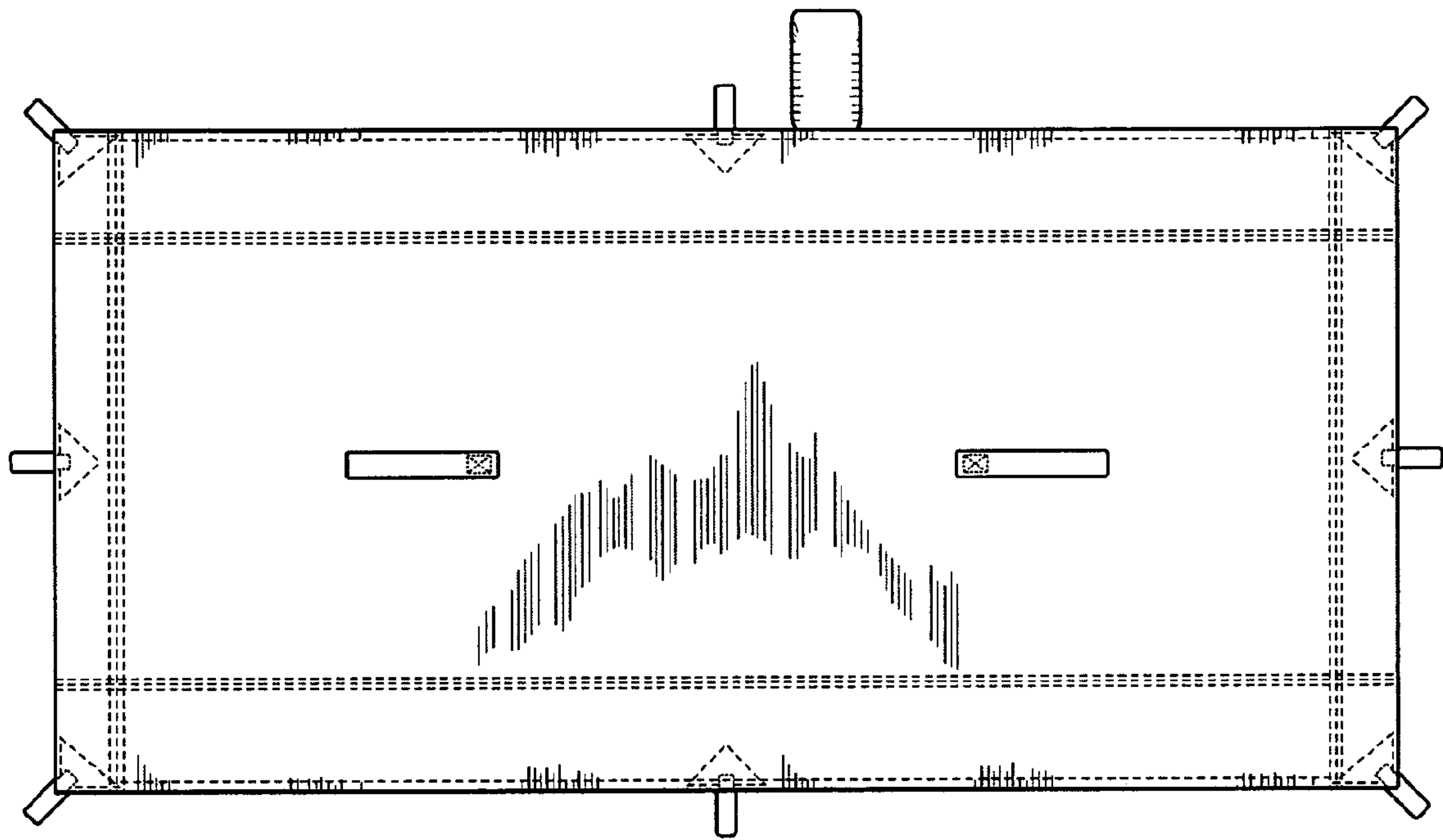


FIG. 3

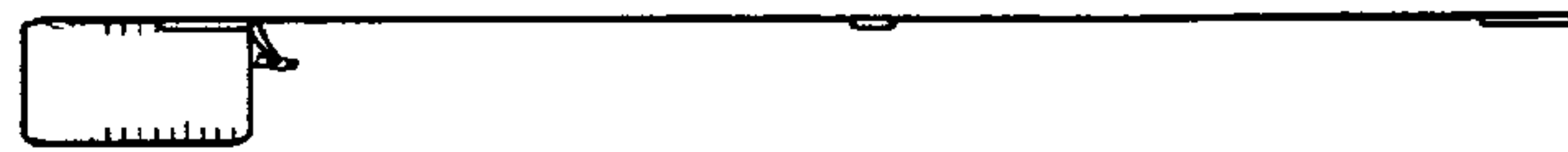


FIG. 4

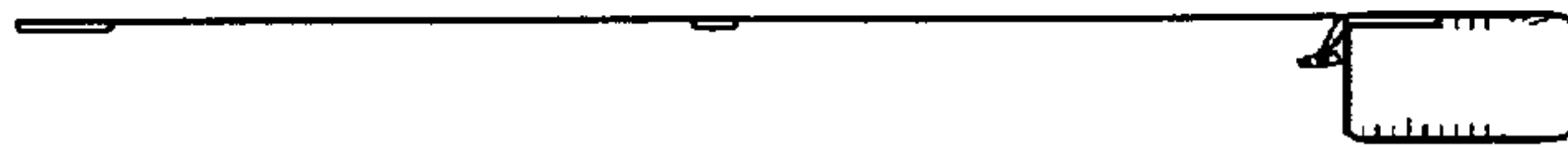


FIG. 5



FIG. 6



FIG. 7