



US00D589734S

(12) **United States Design Patent**
Weis et al.

(10) **Patent No.:** **US D589,734 S**

(45) **Date of Patent:** **** Apr. 7, 2009**

(54) **HOUSING FOR A TOILET BRUSH**

D525,467 S * 7/2006 Michelson et al. D6/524
D547,987 S * 8/2007 Yang et al. D6/524
D576,801 S * 9/2008 Dretzka D6/551

(75) Inventors: **Norbert Weis**, Heddesheim (DE); **Ralf Juergens**, Glen Ellyn, IL (US)

* cited by examiner

(73) Assignee: **Carl Freudenberg KG**, Weinheim (DE)

Primary Examiner—Brian N Vinson

(**) Term: **14 Years**

(74) *Attorney, Agent, or Firm*—Grossman, Tucker, Perreault & Pflieger, PLLC

(21) Appl. No.: **29/324,319**

(57) **CLAIM**

(22) Filed: **Sep. 10, 2008**

The original design for a housing for a toilet brush, as shown and described.

(30) **Foreign Application Priority Data**

DESCRIPTION

Mar. 11, 2008 (EM) 000895305-0001

(51) **LOC (9) Cl.** **06-04**

FIG. 1 is a perspective view of the housing for a toilet brush of the present invention.

(52) **U.S. Cl.** **D6/551**

FIG. 2 is a rear view of FIG. 1;

(58) **Field of Classification Search** D6/524,
D6/525, 551; 206/207, 349, 361; 312/206,
312/207; 4/255.05, 255.11

FIG. 3 is a side view of FIG. 1;

See application file for complete search history.

FIG. 4 is another side view of FIG. 1;

FIG. 5 is another side view of FIG. 1;

(56) **References Cited**

FIG. 6 is a top view of FIG. 1; and,

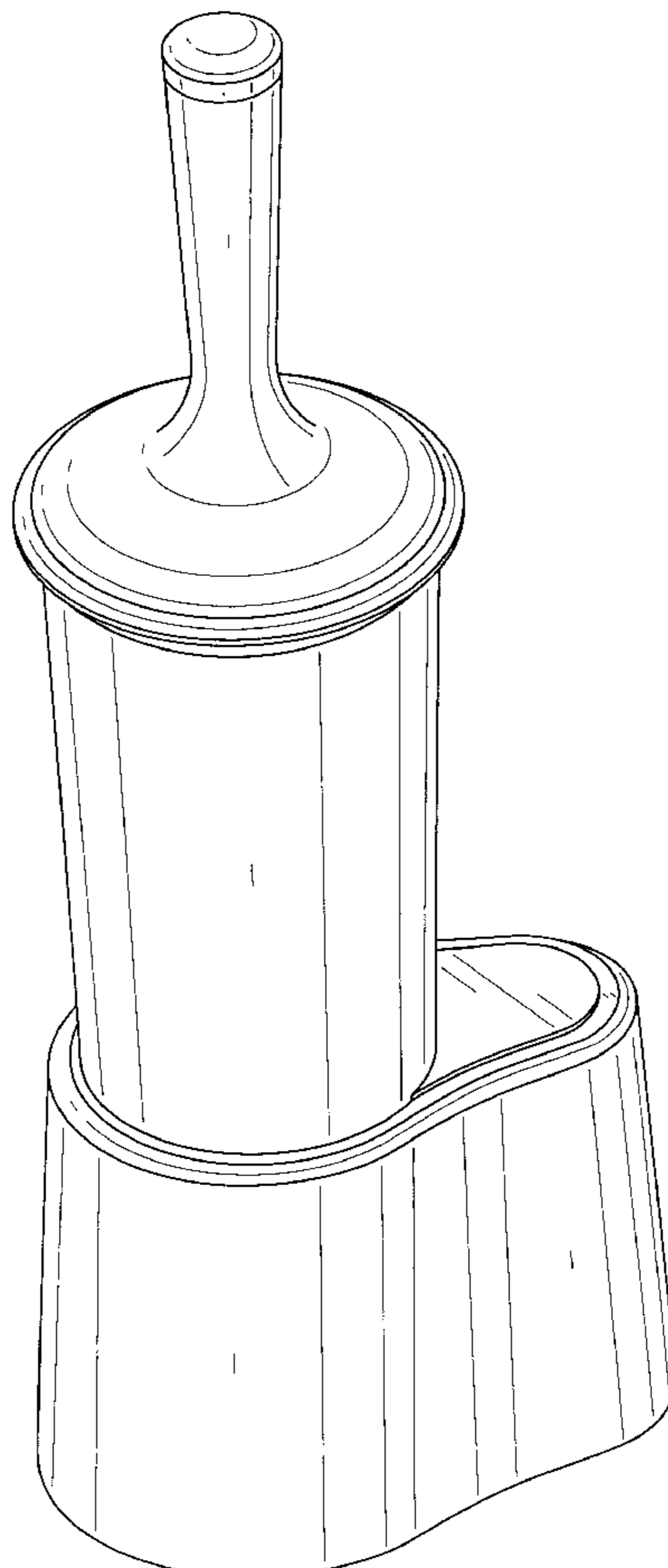
FIG. 7 is a bottom view of FIG. 1.

U.S. PATENT DOCUMENTS

D491,404 S * 6/2004 Dotterman et al. D6/551

D500,618 S * 1/2005 Nagoya D6/551

1 Claim, 6 Drawing Sheets



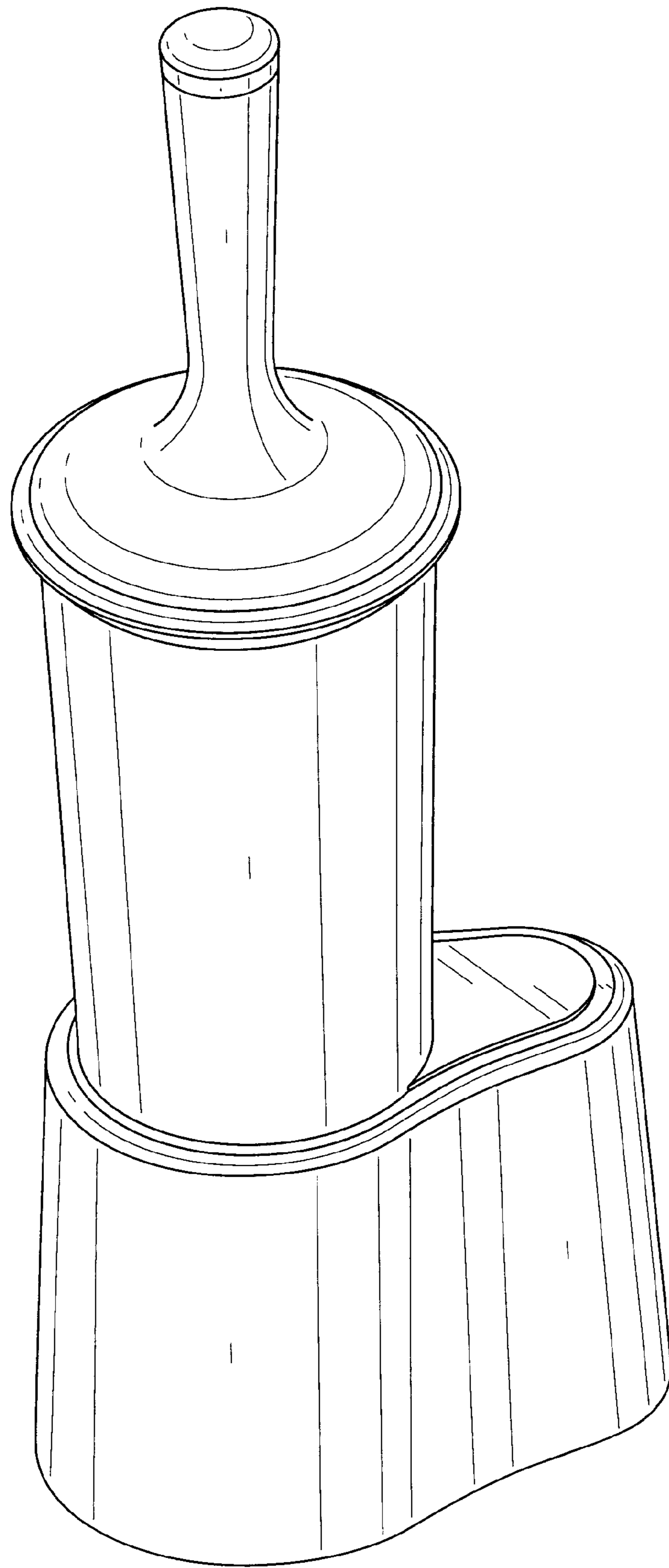


FIG. 1

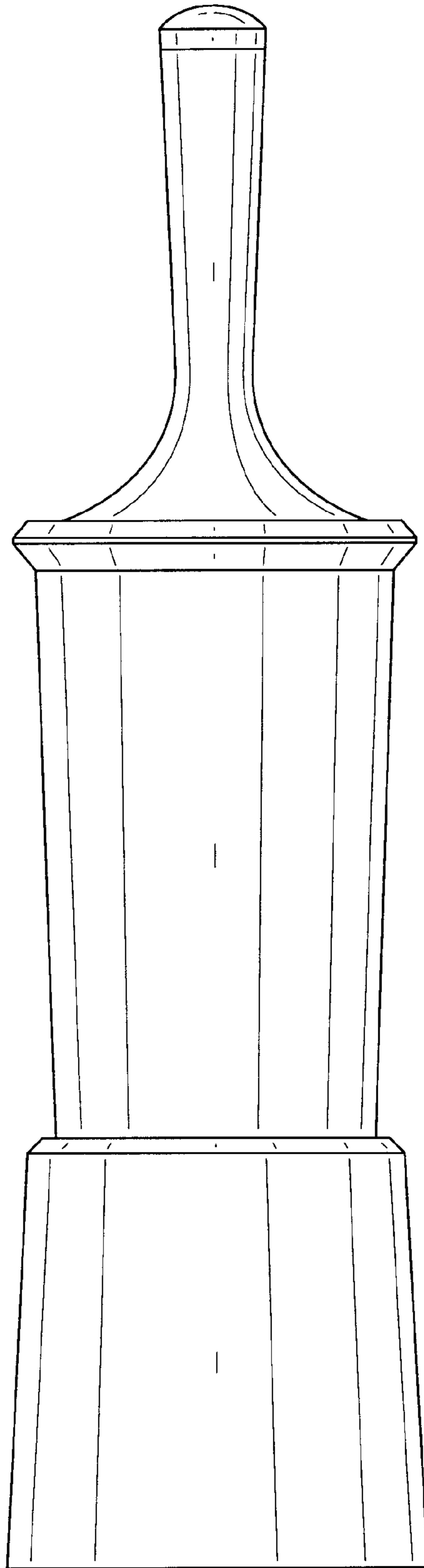


FIG. 2

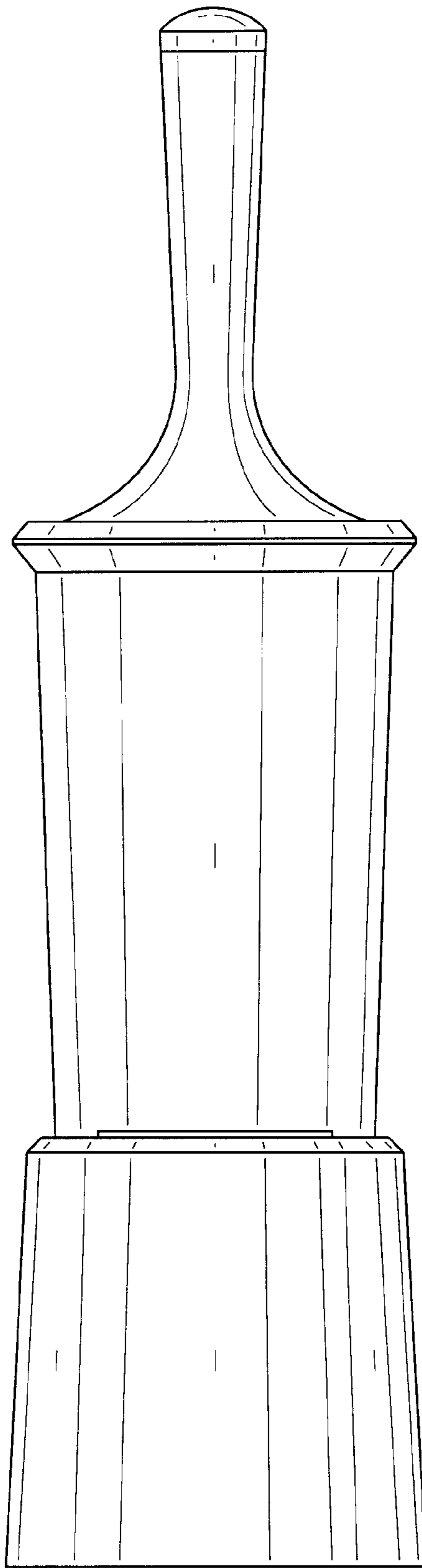


FIG. 3

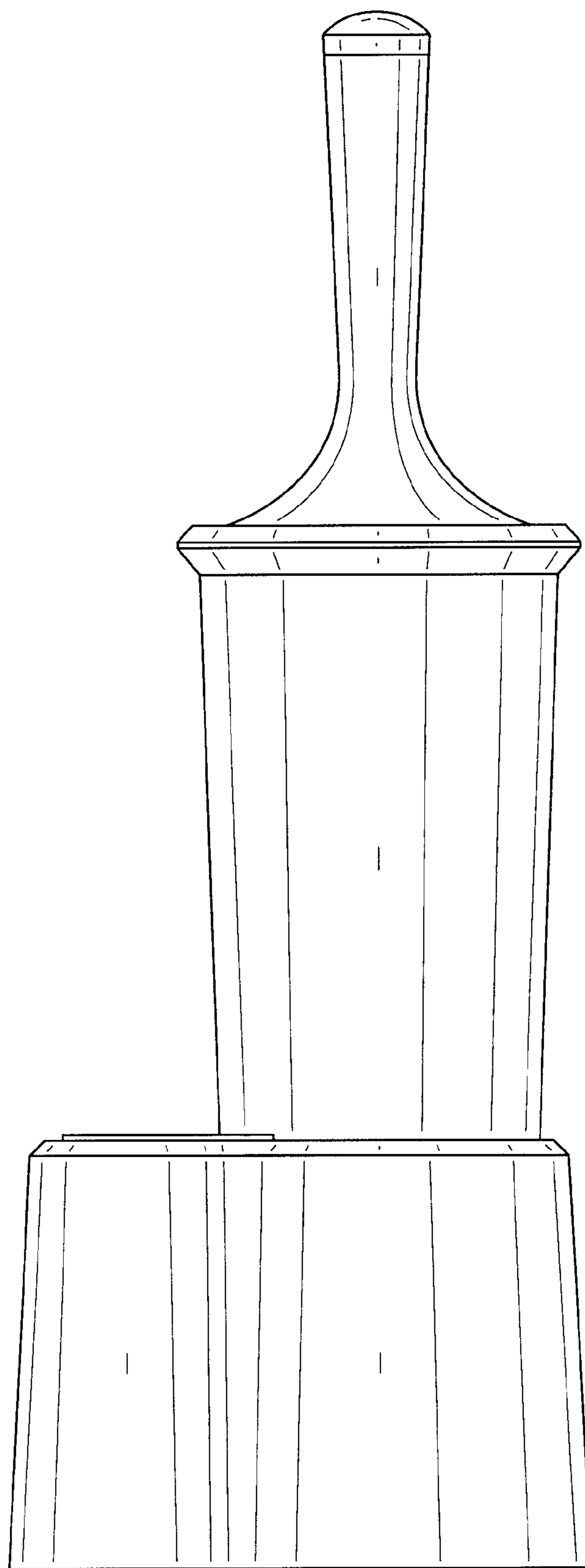


FIG. 4

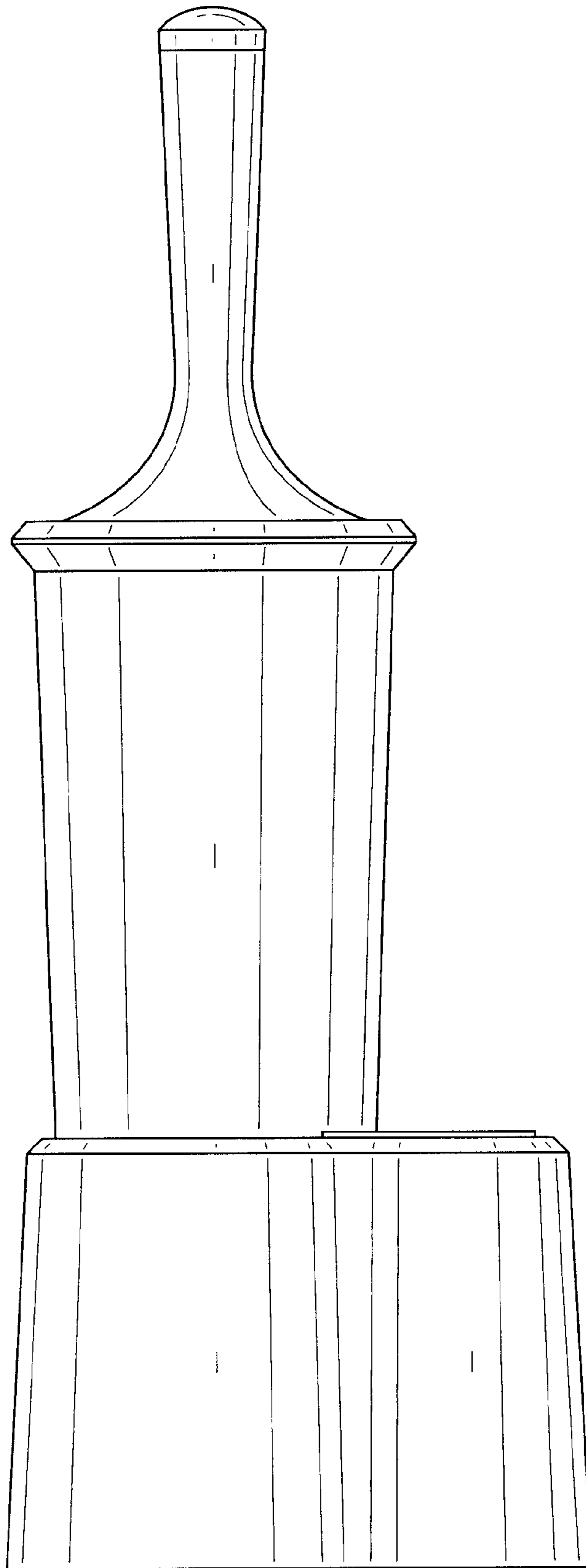


FIG. 5

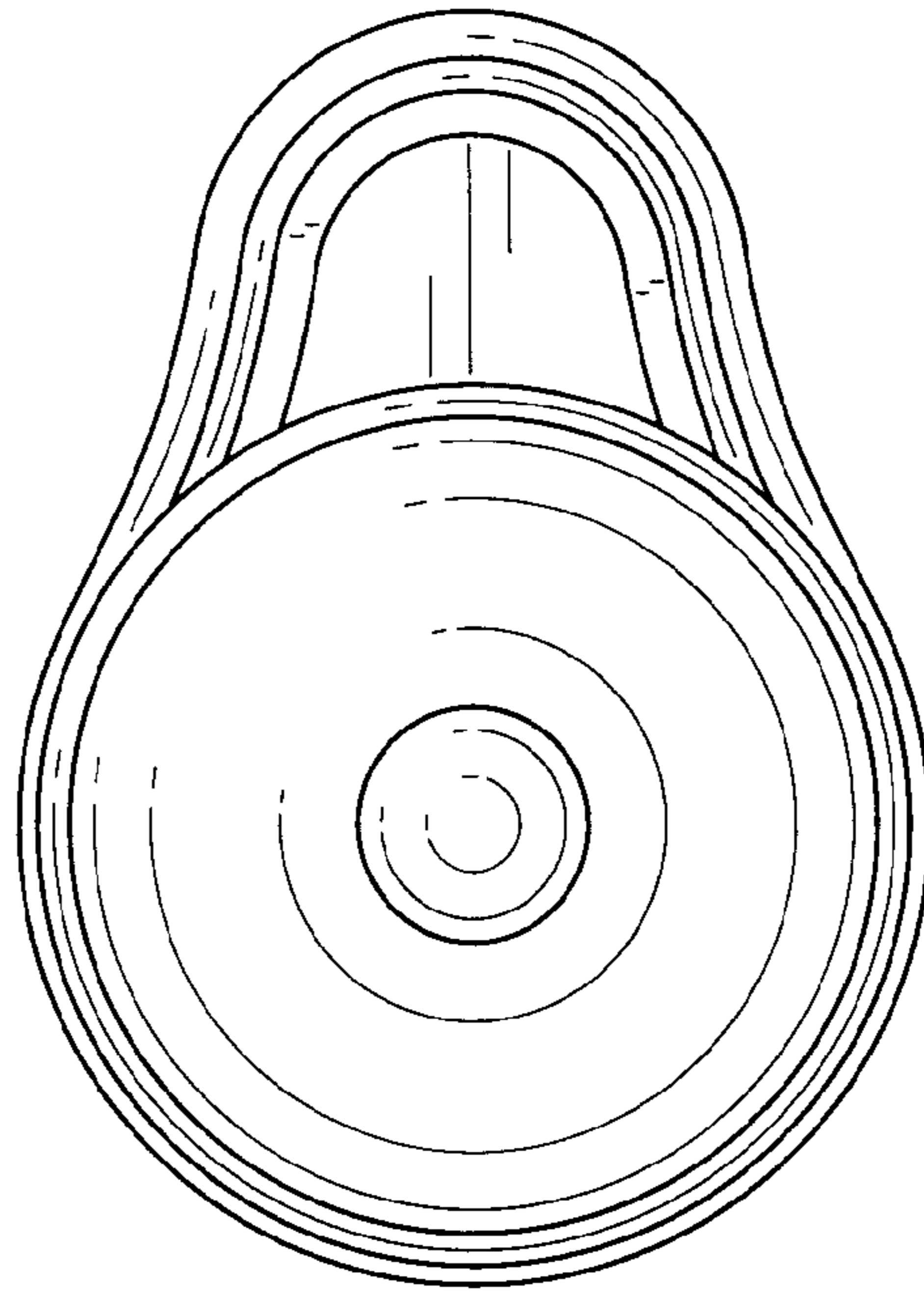


FIG. 6

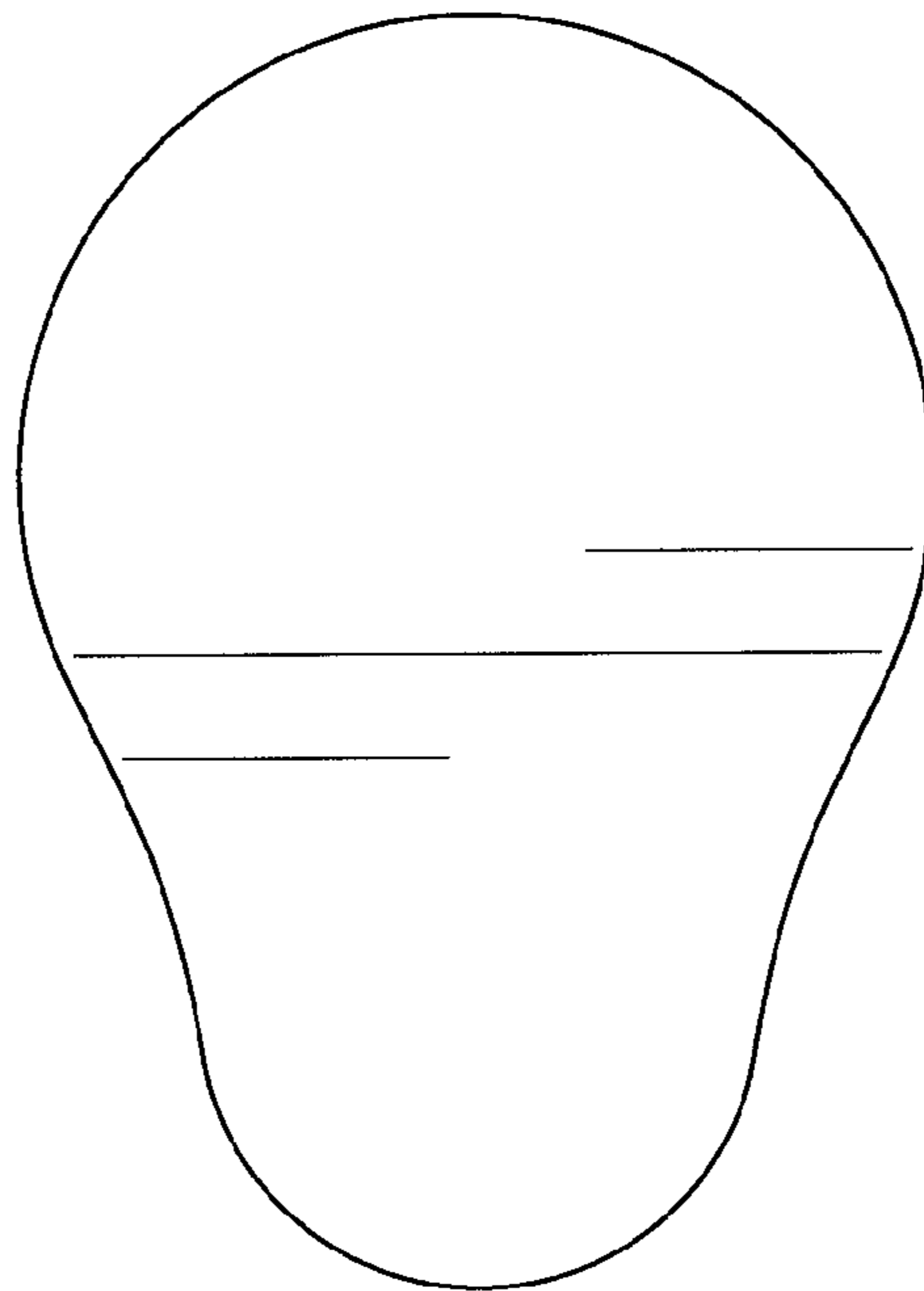


FIG. 7