



US00D589733S

(12) **United States Design Patent**
Felmeri

(10) **Patent No.:** **US D589,733 S**

(45) **Date of Patent:** **** Apr. 7, 2009**

(54) **TOILET ROLL DISPENSER**

(75) Inventor: **Ian Douglas Felmeri**, Castletown (IM)

(73) Assignee: **DLP Ltd.** (GB)

(**) Term: **14 Years**

(21) Appl. No.: **29/319,145**

(22) Filed: **Jun. 4, 2008**

(30) **Foreign Application Priority Data**

Dec. 22, 2007 (EM) 000851779-0001

(51) **LOC (9) Cl.** **23-02**

(52) **U.S. Cl.** **D6/523**

(58) **Field of Classification Search** D6/546-550,
D6/518-519, 522-524; D8/300, 303, 315-321;
108/28-29; 211/13.1, 16, 60.1, 86.01, 87.01,
211/88.01, 88.04, 100, 105.1-105.2, 123,
211/181.1, 182; 248/175, 176.1, 251, 302;
16/110.1, 412, 415; 242/570, 590, 595-598

See application file for complete search history.

(56) **References Cited**

U.S. PATENT DOCUMENTS

D540,584 S *	4/2007	Igarashi	D6/518
D540,593 S *	4/2007	Hoernig	D6/523
D550,489 S *	9/2007	Williams et al.	D6/523
D554,402 S *	11/2007	Krueger	D6/523
D559,599 S *	1/2008	Bickler et al.	D6/523
D567,557 S *	4/2008	Snell	D6/523
D569,144 S *	5/2008	Mapp	D6/518

* cited by examiner

Primary Examiner—Brian N Vinson

(74) *Attorney, Agent, or Firm*—Fleit Gibbons Gutman
Bongini & Bianco; Paul D. Bianco; Martin Fleit

(57) **CLAIM**

The ornamental design for a toilet roll dispenser, as shown
and described.

DESCRIPTION

FIG. 1 is a perspective view from one end and to the left side
of one embodiment of a toilet roll dispenser, in an open
unfolded condition and showing the interior of my new
design;

FIG. 2 is a perspective view from the one end and to the right
side of the toilet roll dispenser, as shown in FIG. 1, in an open
unfolded condition and showing the exterior of my new
design;

FIG. 3 is an elevational view from the one end of the toilet roll
dispenser, as shown in FIG. 2, in a closed folded condition;

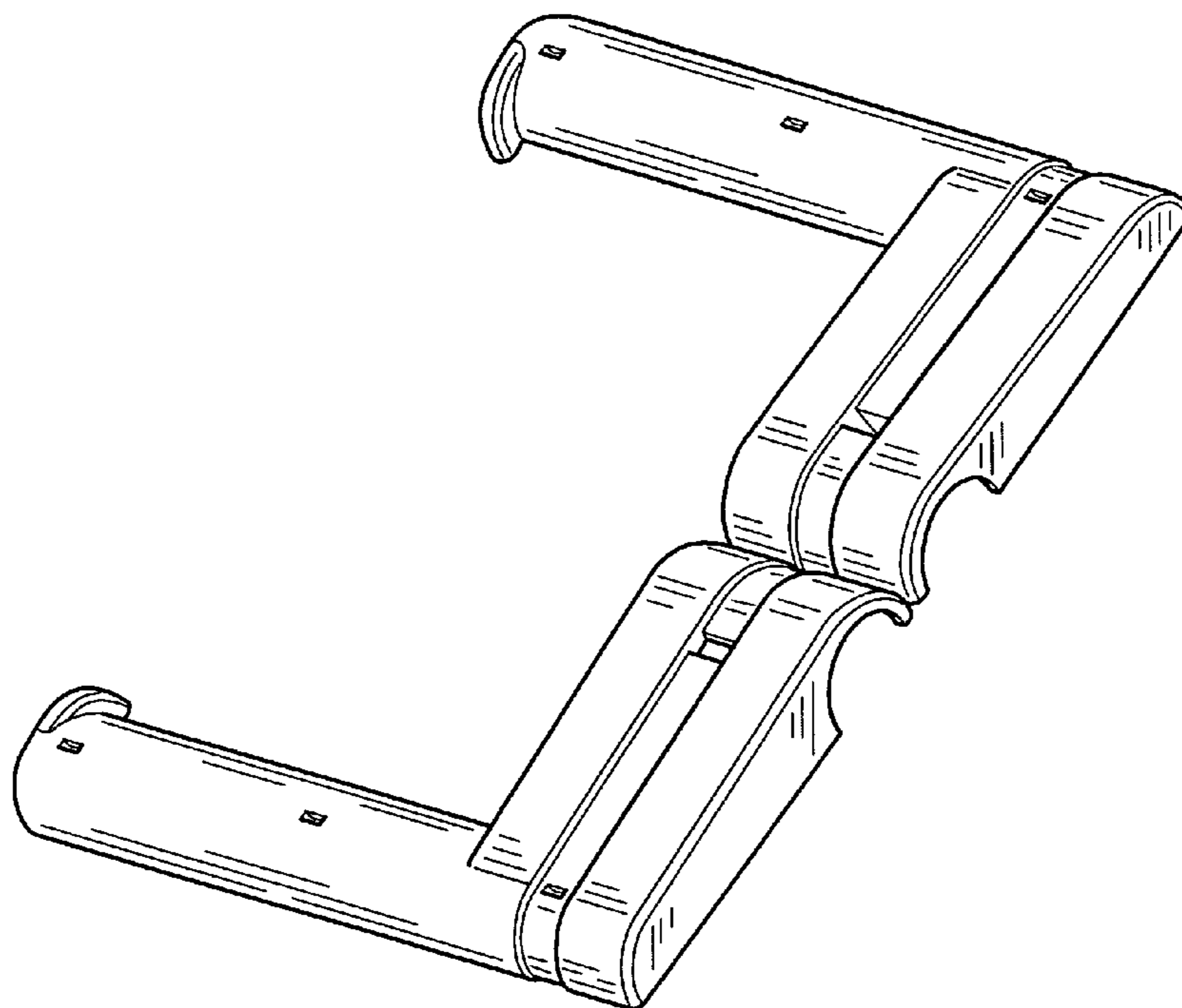
FIG. 4 is an elevational view from the other end of the toilet
roll dispenser, as shown in FIG. 2, in a closed folded condi-
tion;

FIG. 5 is an elevational side view of the toilet roll dispenser,
in a closed folded condition, and the other side matches;

FIG. 6 is a top plan view of the toilet roll dispenser, in a closed
folded condition; and,

FIG. 7 is an elevational view from the one end of the toilet roll
dispenser, in the open unfolded condition.

1 Claim, 7 Drawing Sheets



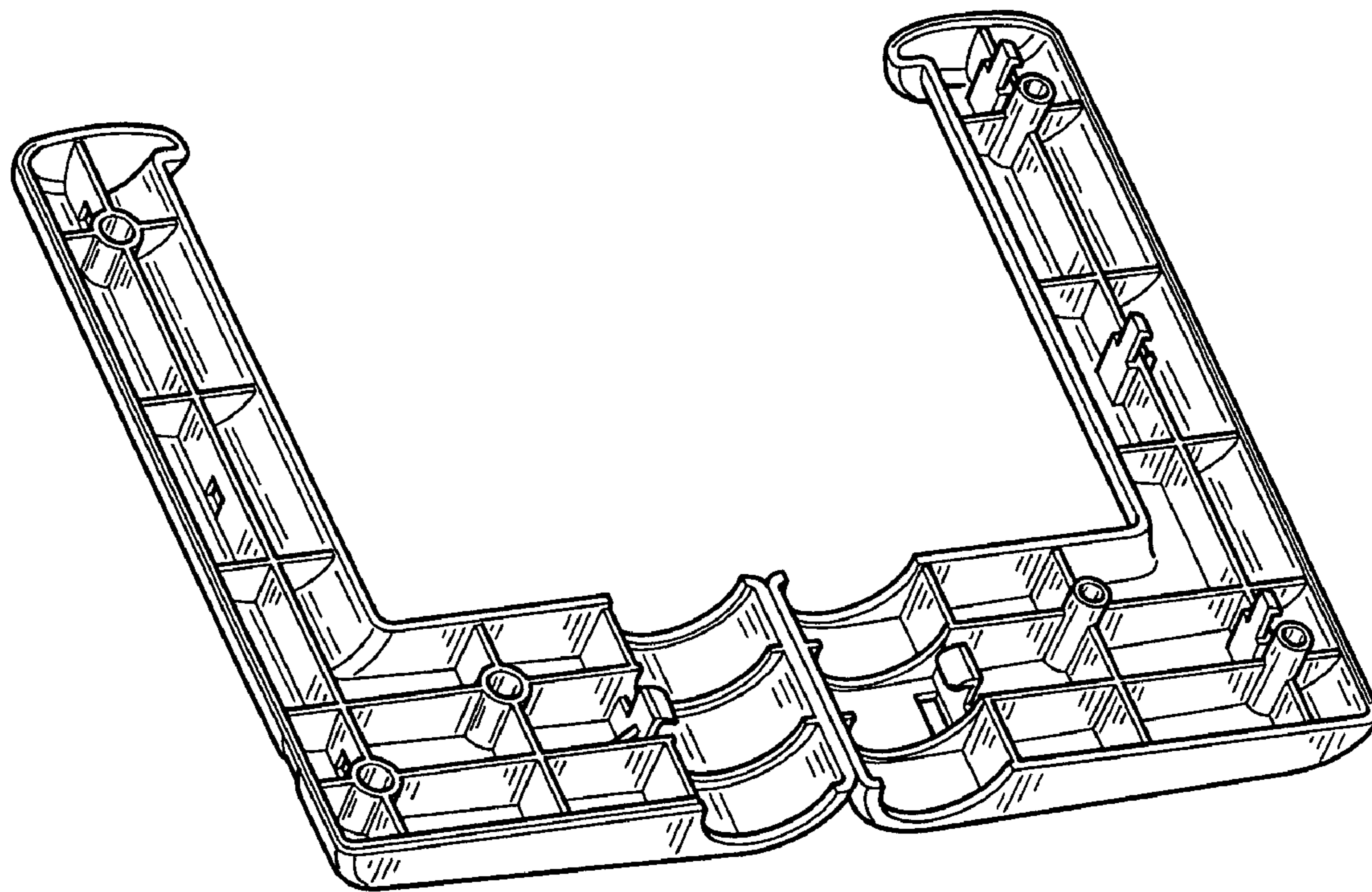


FIG. 1

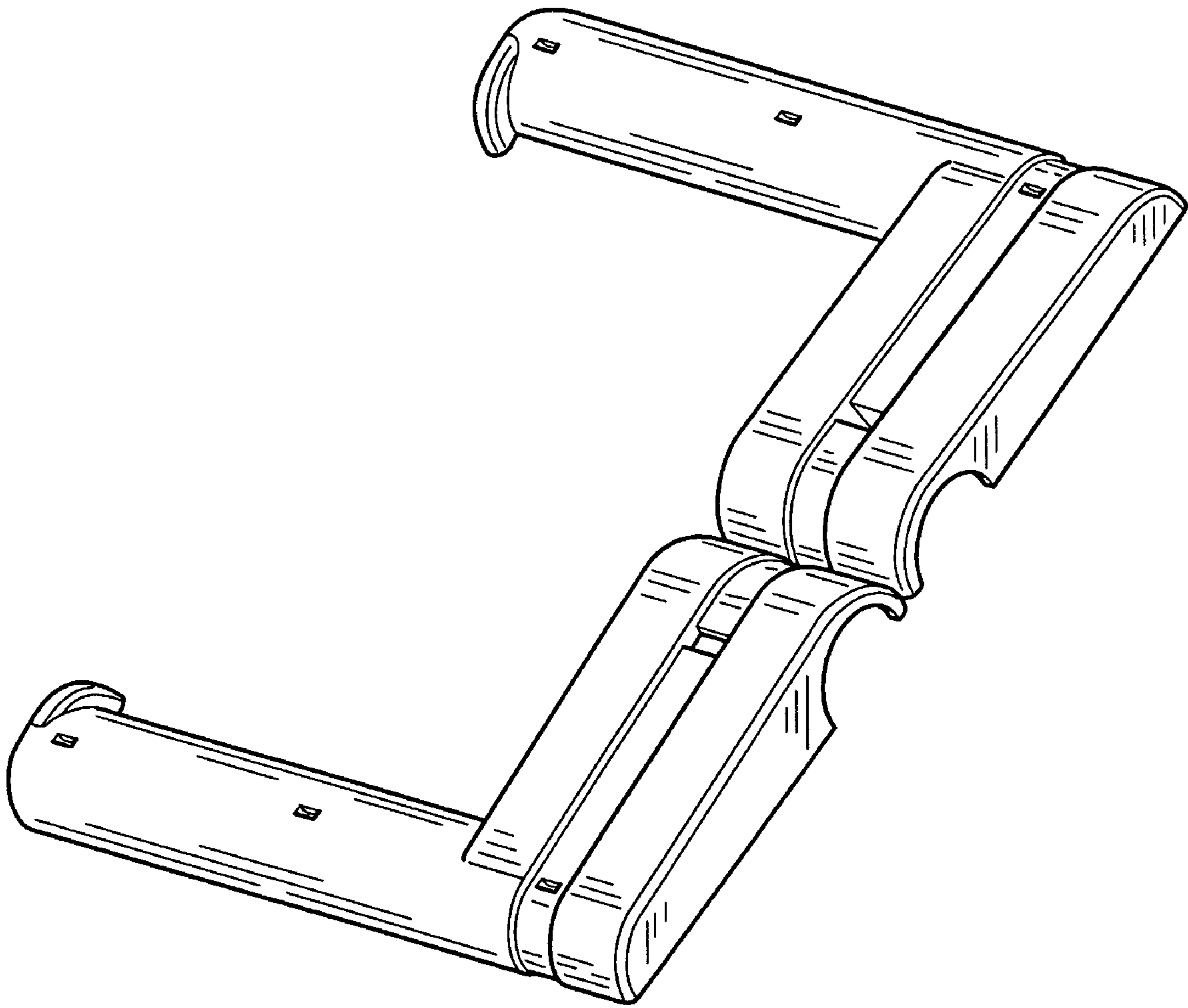


FIG. 2

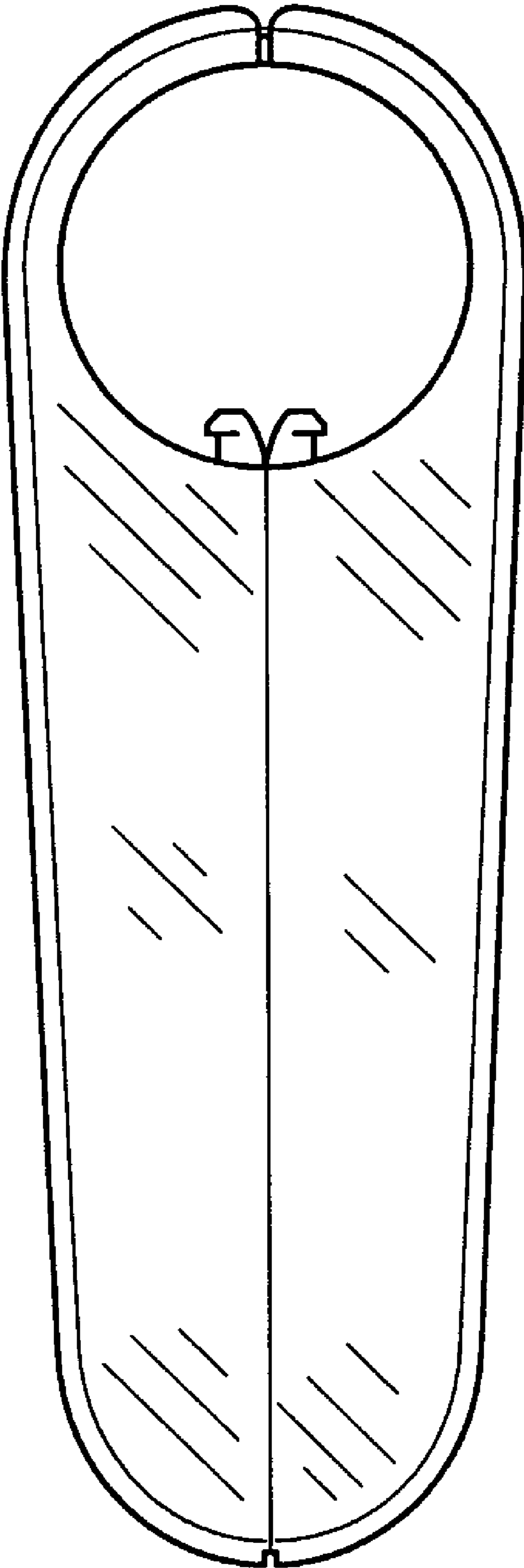


FIG. 3

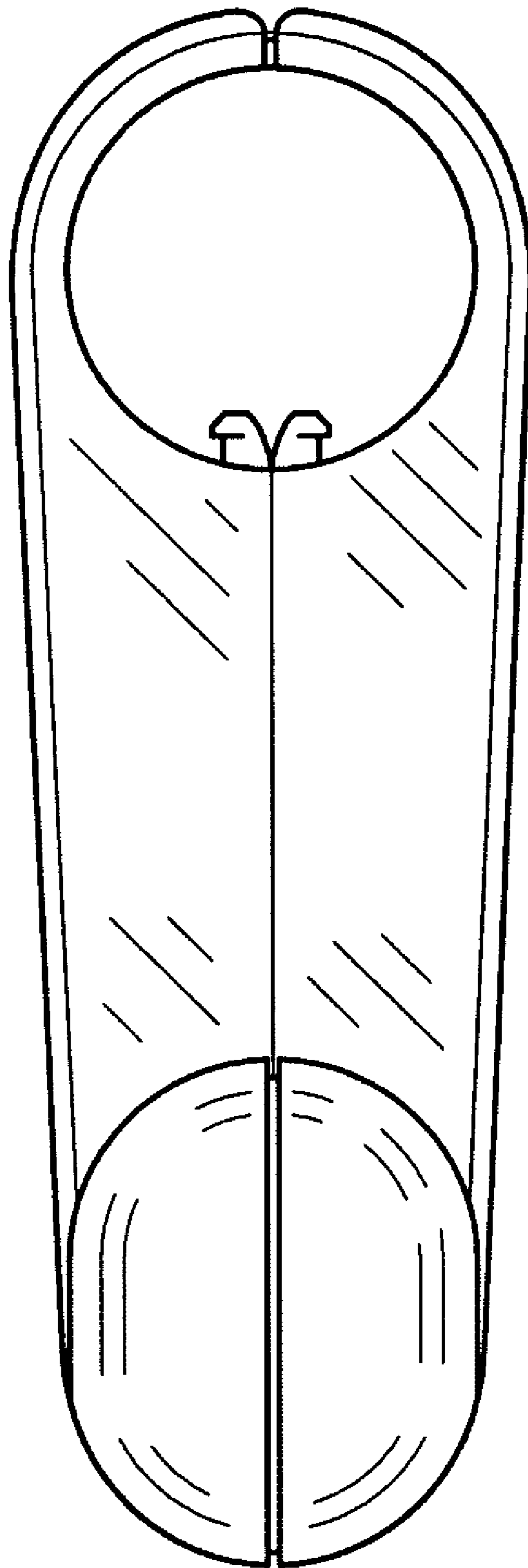


FIG. 4

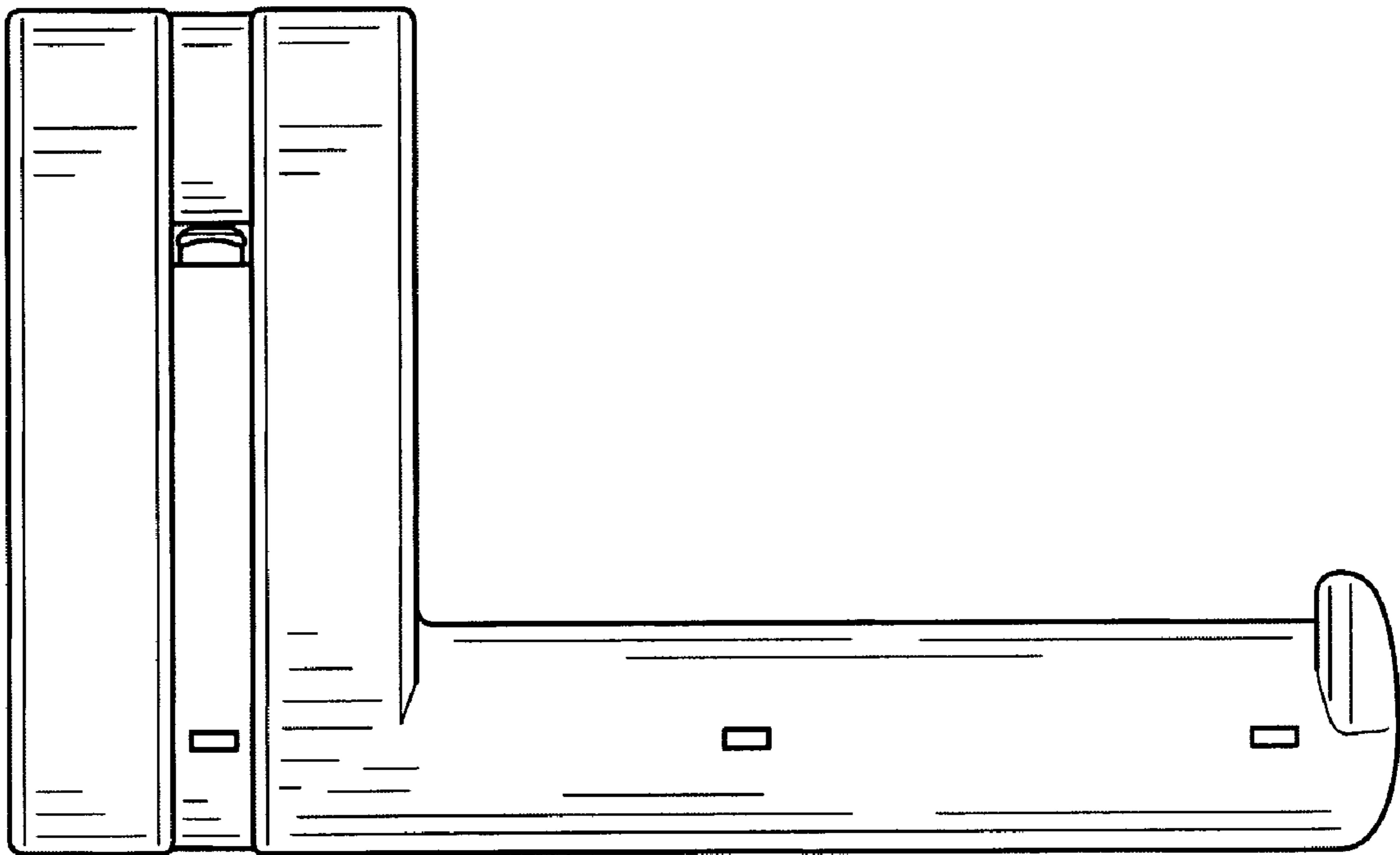


FIG. 5

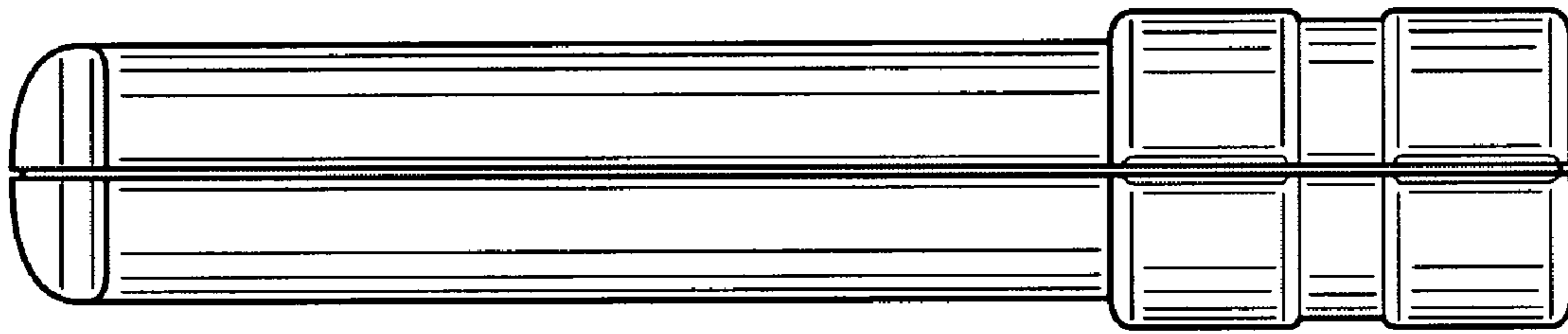


FIG. 6

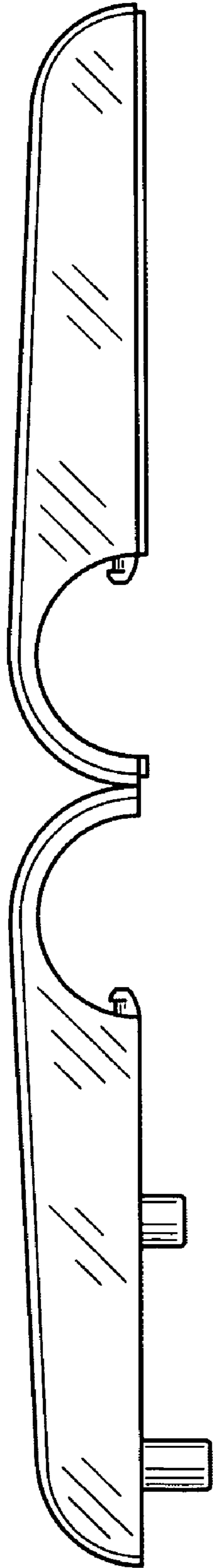


FIG. 7