



US00D589728S

(12) **United States Design Patent**
Shaha et al.

(10) **Patent No.:** **US D589,728 S**
(45) **Date of Patent:** **** Apr. 7, 2009**

(54) **RECEPTACLE**

(75) Inventors: **Kevin Bruce Shaha**, Dover, ID (US);
Robert W. Sheldon, Winnetka, IL (US);
Gregory J. Foster, Chicago, IL (US);
Ronald M. Llanes, Lisle, IL (US)

(73) Assignee: **Illinois Tool Works Inc.**, Glenview, IL (US)

(**) Term: **14 Years**

(21) Appl. No.: **29/305,221**

(22) Filed: **Mar. 14, 2008**

(51) **LOC (9) Cl.** **06-04**

(52) **U.S. Cl.** **D6/510**

(58) **Field of Classification Search** D3/272,
D3/304, 306-315; D6/441, 445-449, 462,
D6/465-468, 473-476, 510-511, 525, 553,
D6/566, 574; D7/550.1, 602; D11/156;
D15/89; D19/78-80, 90, 92; D30/119; 47/67;
211/88.01, 90.01, 94.01, 126.1, 183; 220/533,
220/DIG. 2, DIG. 15; 229/100, 406, 913-914;
312/404, 405.1

See application file for complete search history.

(56) **References Cited**

U.S. PATENT DOCUMENTS

1,738,821	A *	12/1929	Gibson	211/88.01
2,982,423	A *	5/1961	Handler et al.	211/126.1
D205,866	S *	9/1966	Asenbauer	D3/304
D237,672	S *	11/1975	Taub	D6/510
D274,012	S *	5/1984	Williams	D3/304
D275,918	S *	10/1984	Taylor	D6/510
D281,614	S *	12/1985	Carpenter et al.	D19/90
4,693,381	A	9/1987	Lodge		

(Continued)

Primary Examiner—Caron Veynar

Assistant Examiner—Ricky Pham

(74) *Attorney, Agent, or Firm*—Mark W. Croll; Christopher P. Rauch; Beem Patent Law Firm

(57) **CLAIM**

The ornamental design for a receptacle, as shown and described.

DESCRIPTION

FIG. 1 is a front view of a first embodiment of a receptacle and a second embodiment of a receptacle showing our new design, in the environment of a wall mountable rail system.

FIG. 2 is a perspective view of the first embodiment of the receptacle and the second embodiment of the receptacle of FIG. 1, in the environment of the wall mountable rail system.

FIG. 3 is a side view of the first embodiment of the receptacle and the second embodiment of the receptacle of FIG. 1, in the environment of the wall mountable rail system, the other side being a mirror image thereof.

FIG. 4 is a front view of the first embodiment of the receptacle of FIG. 1, shown separately for ease of illustration.

FIG. 5 is a rear view of the first embodiment of the receptacle of FIG. 4.

FIG. 6 is a side view of the first embodiment of the receptacle of FIG. 4, the other side being a mirror image thereof.

FIG. 7 is a top view of the first embodiment of the receptacle of FIG. 4.

FIG. 8 is a bottom view of the first embodiment of the receptacle of FIG. 4.

FIG. 9 is a front view of the second embodiment of the receptacle of FIG. 1, shown separately for ease of illustration.

FIG. 10 is a rear view of the second embodiment of the receptacle of FIG. 9.

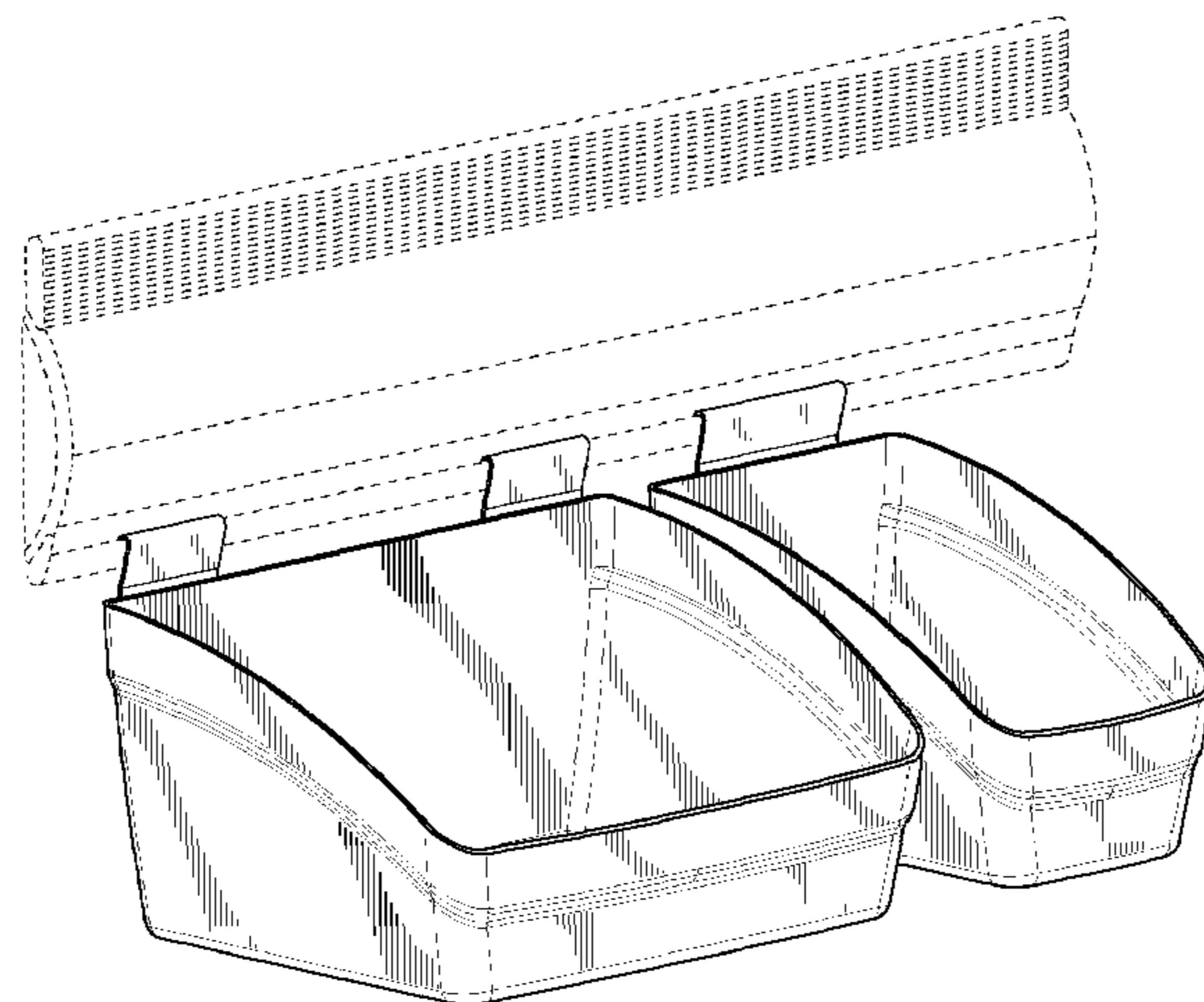
FIG. 11 is a side view of the second embodiment of the receptacle of FIG. 9, the other side being a mirror image thereof.

FIG. 12 is a top view of the second embodiment of the receptacle of FIG. 9; and,

FIG. 13 is a bottom view of the second embodiment of the receptacle of FIG. 9.

The broken lines shown in FIGS. 1-3 are for environmental purposes only and form no part of the claimed design.

1 Claim, 5 Drawing Sheets



US D589,728 S

Page 2

U.S. PATENT DOCUMENTS

4,869,378	A	9/1989	Miller				
4,896,456	A *	1/1990	Grant	47/67		
5,048,698	A	9/1991	Konrad				
D322,993	S *	1/1992	Hobson	D19/90		
D327,971	S *	7/1992	Cugley	D3/304		
D344,739	S *	3/1994	Edman et al.	D15/89		
5,337,987	A	8/1994	Sawatsky				
5,379,976	A	1/1995	DeGirolamo				
5,429,252	A	7/1995	Liu				
5,775,521	A	7/1998	Tisbo				
D397,526	S *	8/1998	Sheaffer	D30/119		
D403,268	S *	12/1998	Dignam	D11/156		
5,960,967	A	10/1999	Neil				
D420,798	S *	2/2000	Belokin et al.	D3/304		
6,050,426	A	4/2000	Leurdijk				
6,119,878	A	9/2000	Zen				
6,152,312	A	11/2000	Nava et al.				
D446,391	S *	8/2001	Sterling et al.	D3/304		
6,299,001	B1	10/2001	Frolov et al.				
6,499,608	B1	12/2002	Sterling et al.				
6,698,603	B2	3/2004	Lawson et al.				
D493,309	S *	7/2004	Moss et al.	D6/510		
D508,321	S *	8/2005	Anderson et al.	D3/304		
D511,177	S *	11/2005	Jackovin et al.	D15/89		
7,014,052	B2	3/2006	Detorre et al.				
7,137,515	B1	11/2006	Lawson et al.				
7,147,115	B2	12/2006	Perkins et al.				
D538,539	S *	3/2007	Richardson et al.	D3/314		
7,228,977	B2	6/2007	Perkins et al.				
D550,482	S *	9/2007	Belokin et al.	D6/475		
7,300,120	B2 *	11/2007	Shin	312/404		
D581,159	S *	11/2008	Neilsen	D3/304		
D581,670	S *	12/2008	Neilsen	D3/304		
D583,562	S *	12/2008	Ghiorghie	D3/304		
2003/0020385	A1 *	1/2003	Leimkuehler et al.	312/405.1		
2005/0236544	A1	10/2005	Mancino et al.				
2005/0247653	A1	11/2005	Brooks				
2006/0180561	A1	8/2006	Wisnoski et al.				
2008/0302744	A1 *	12/2008	Rosenberg	211/94.01		

* cited by examiner

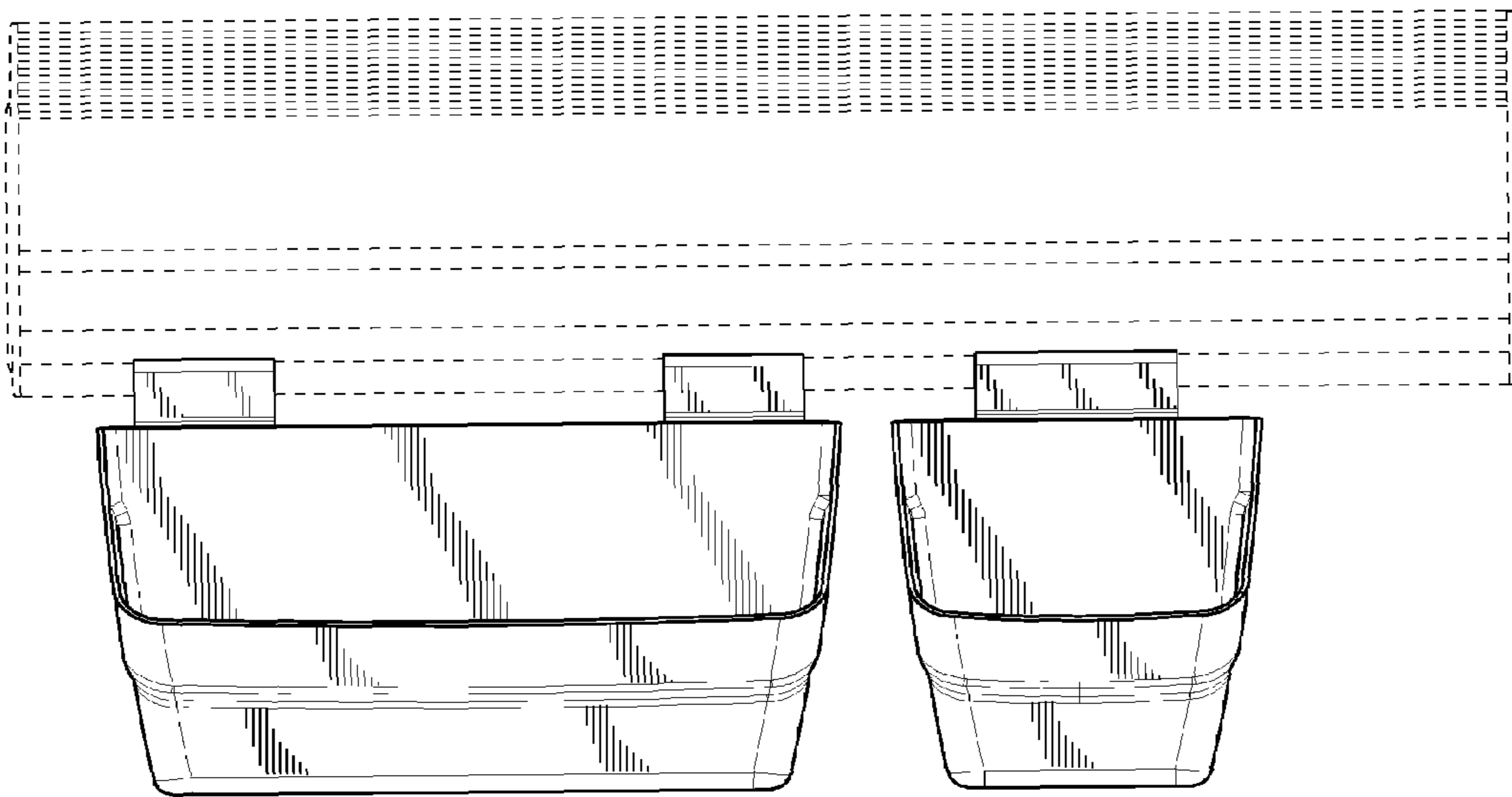


Fig.1

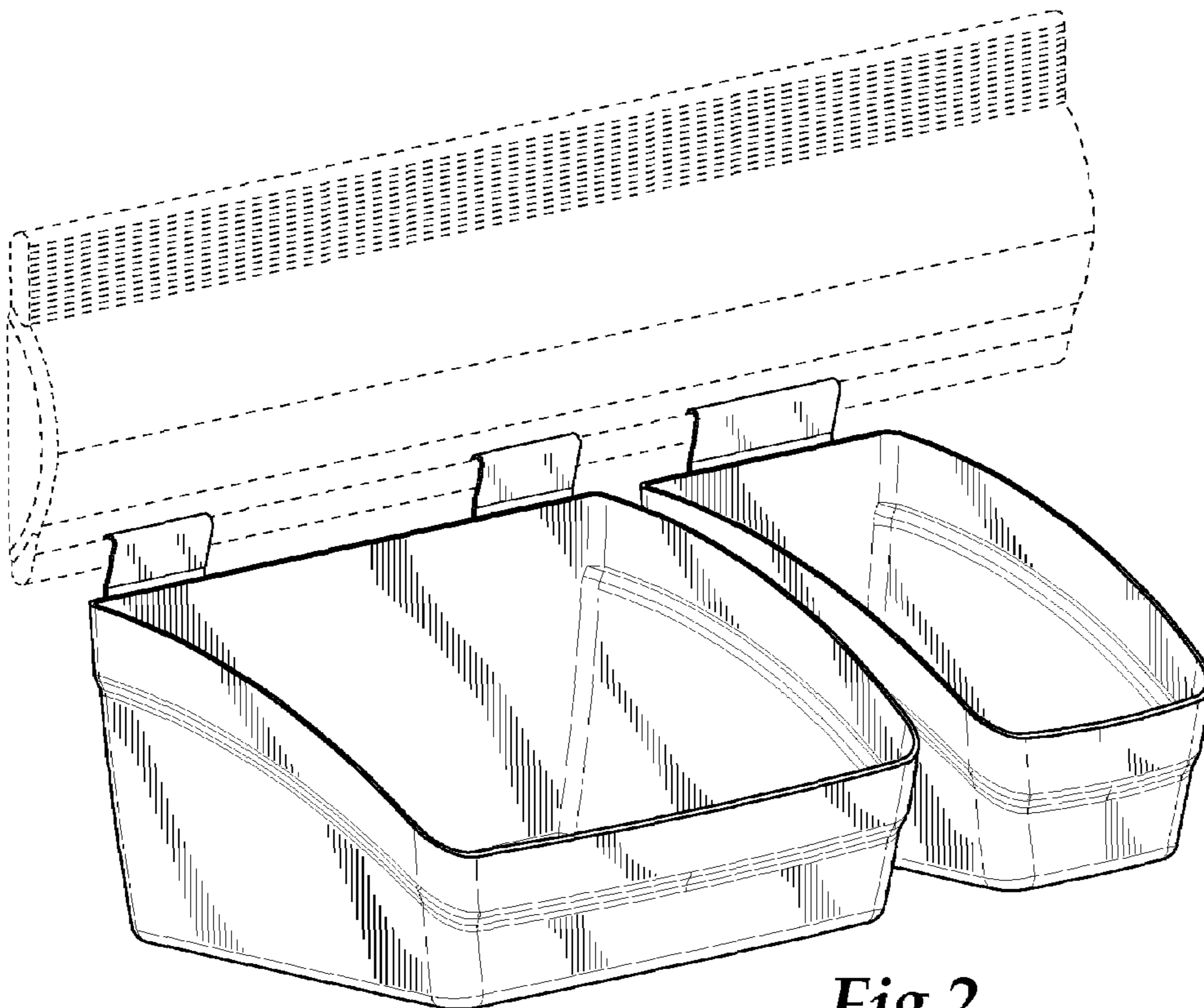


Fig.2

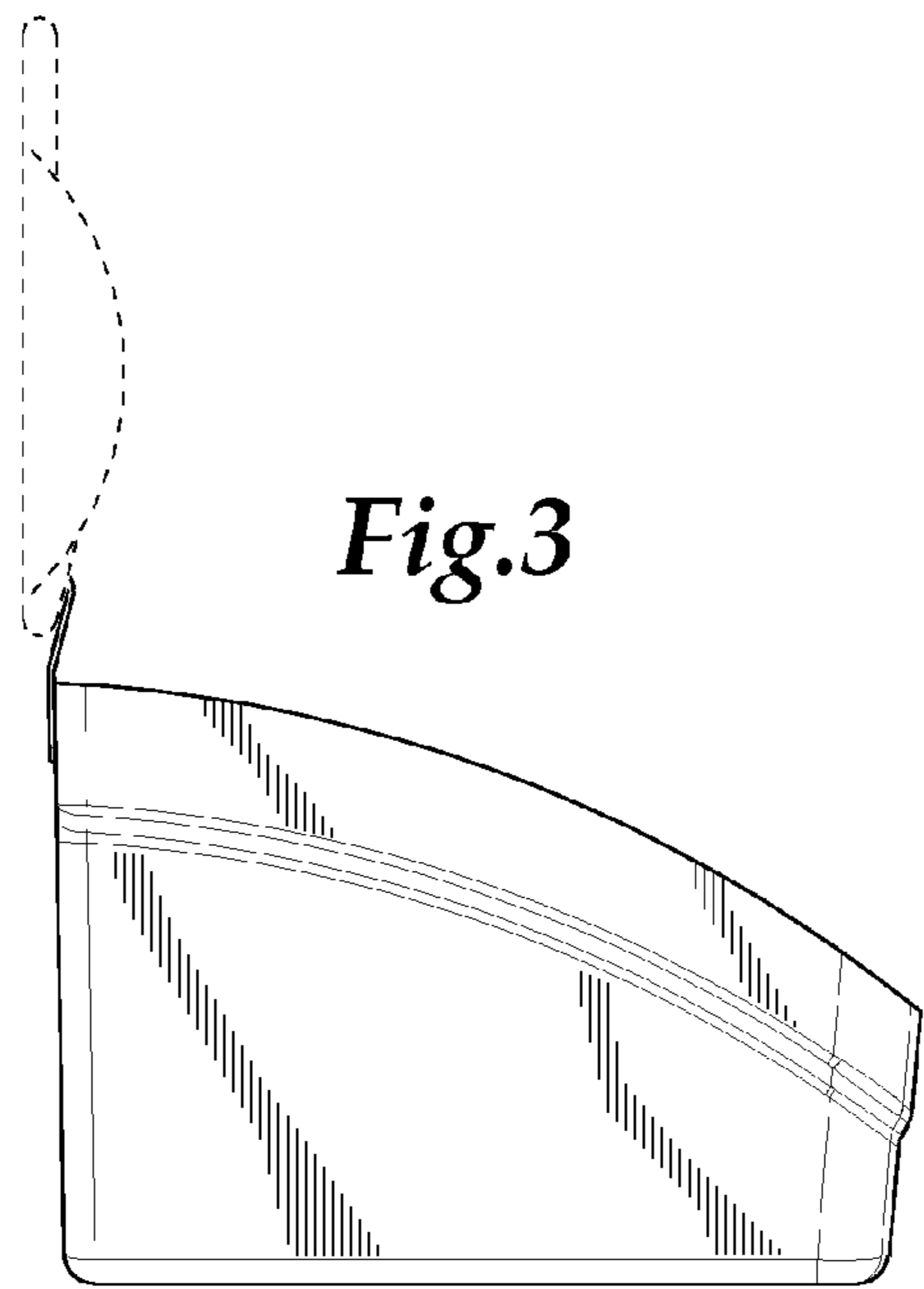


Fig.3

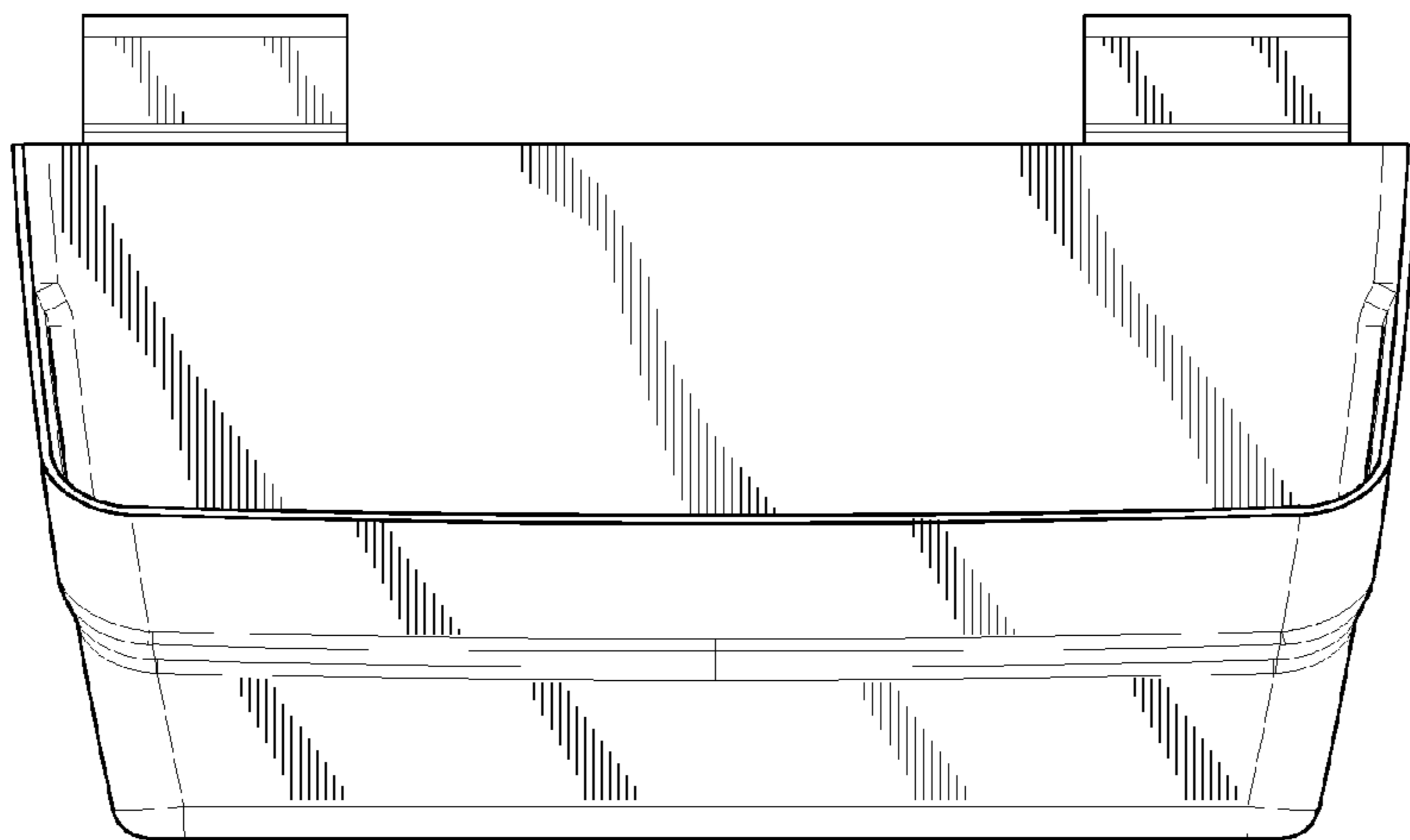


Fig.4

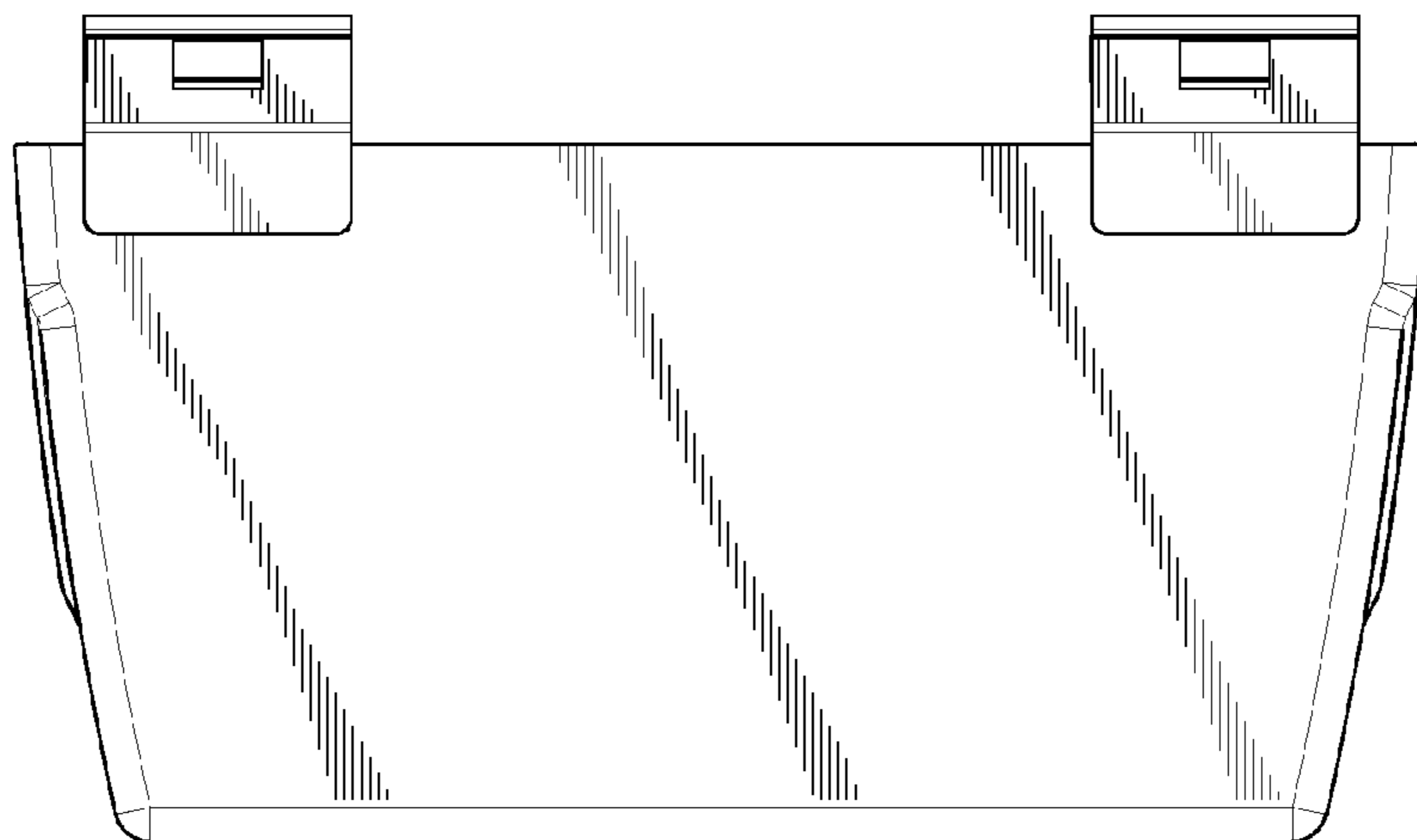


Fig.5

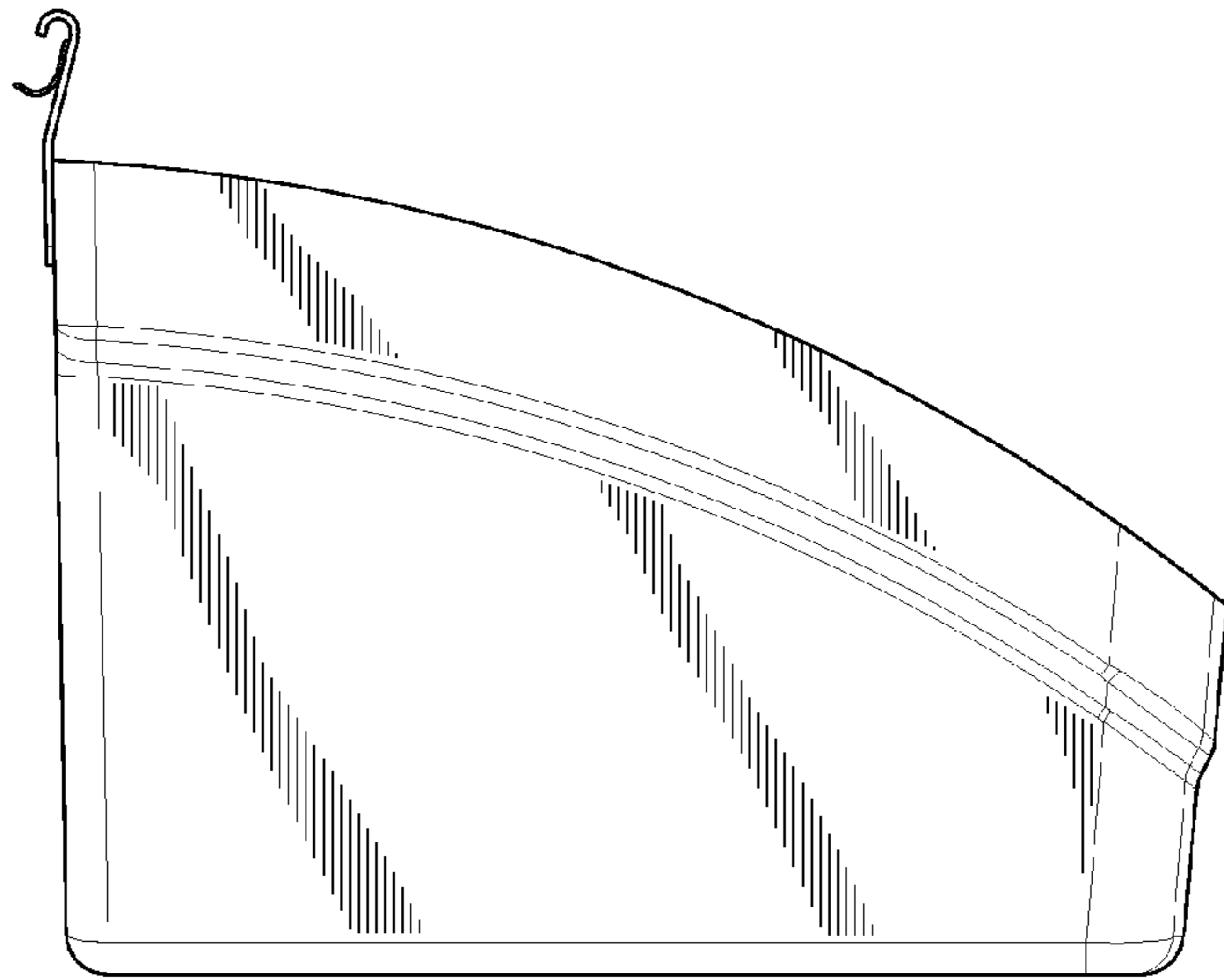


Fig.6

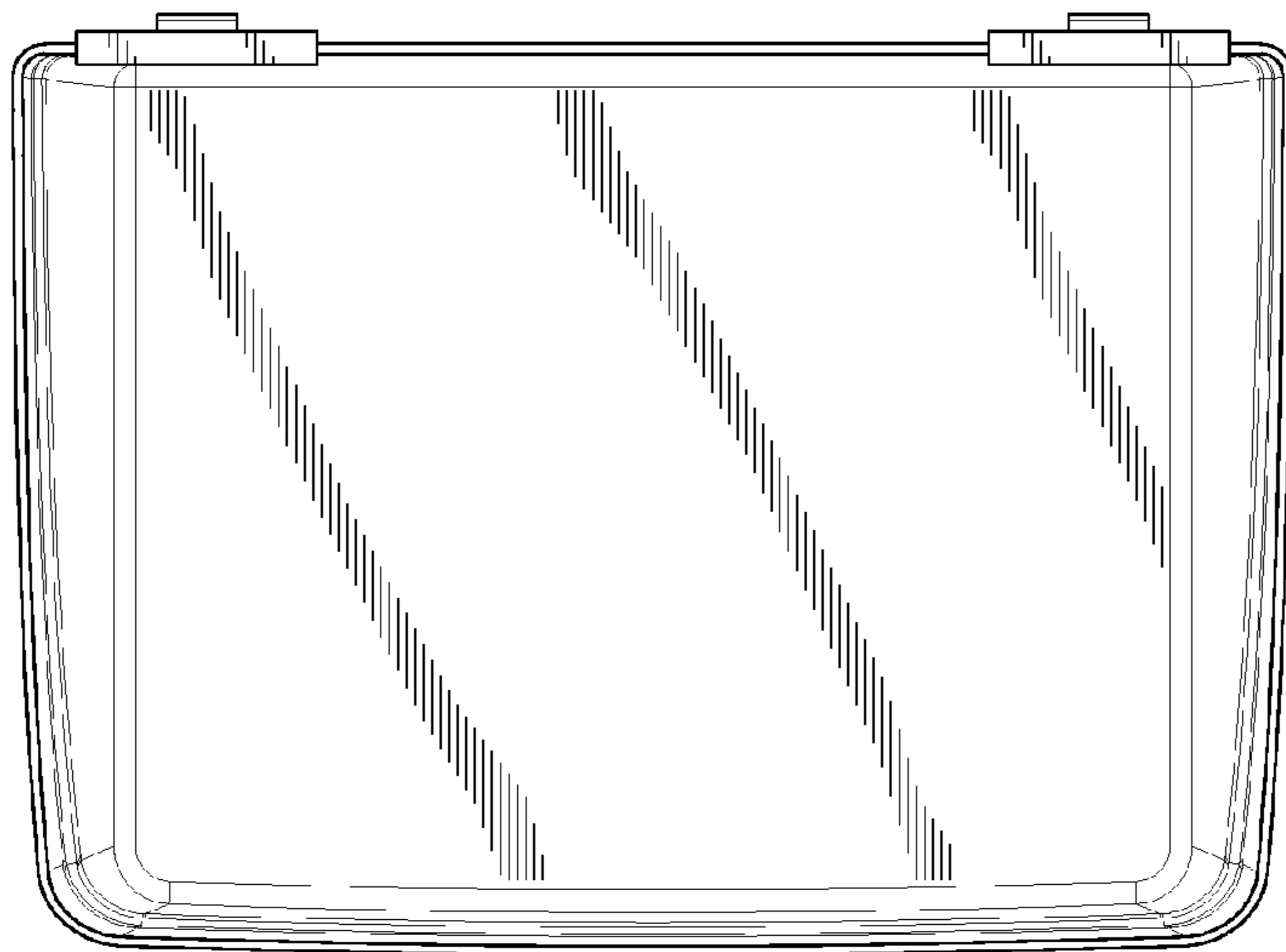


Fig.7

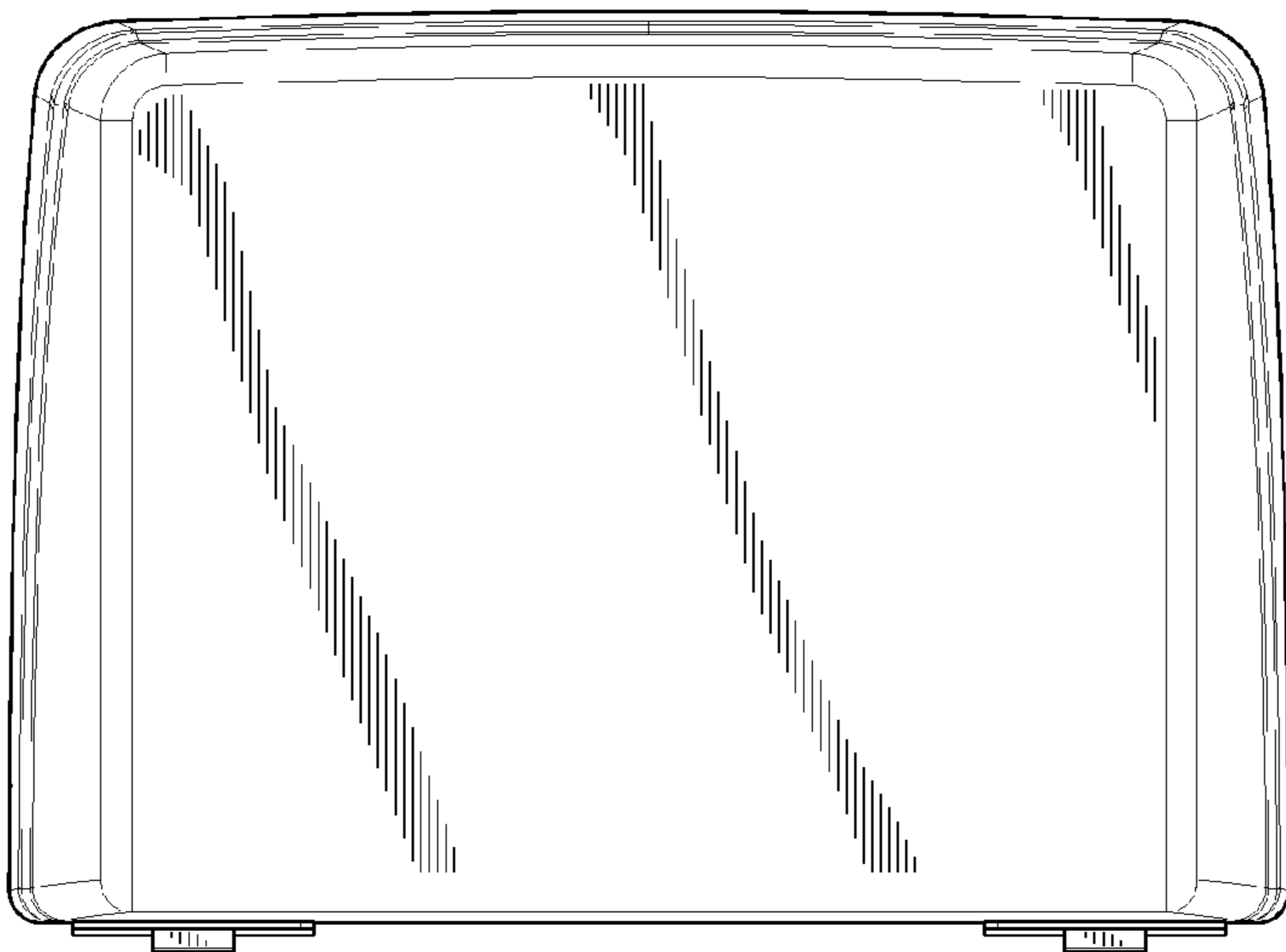


Fig.8

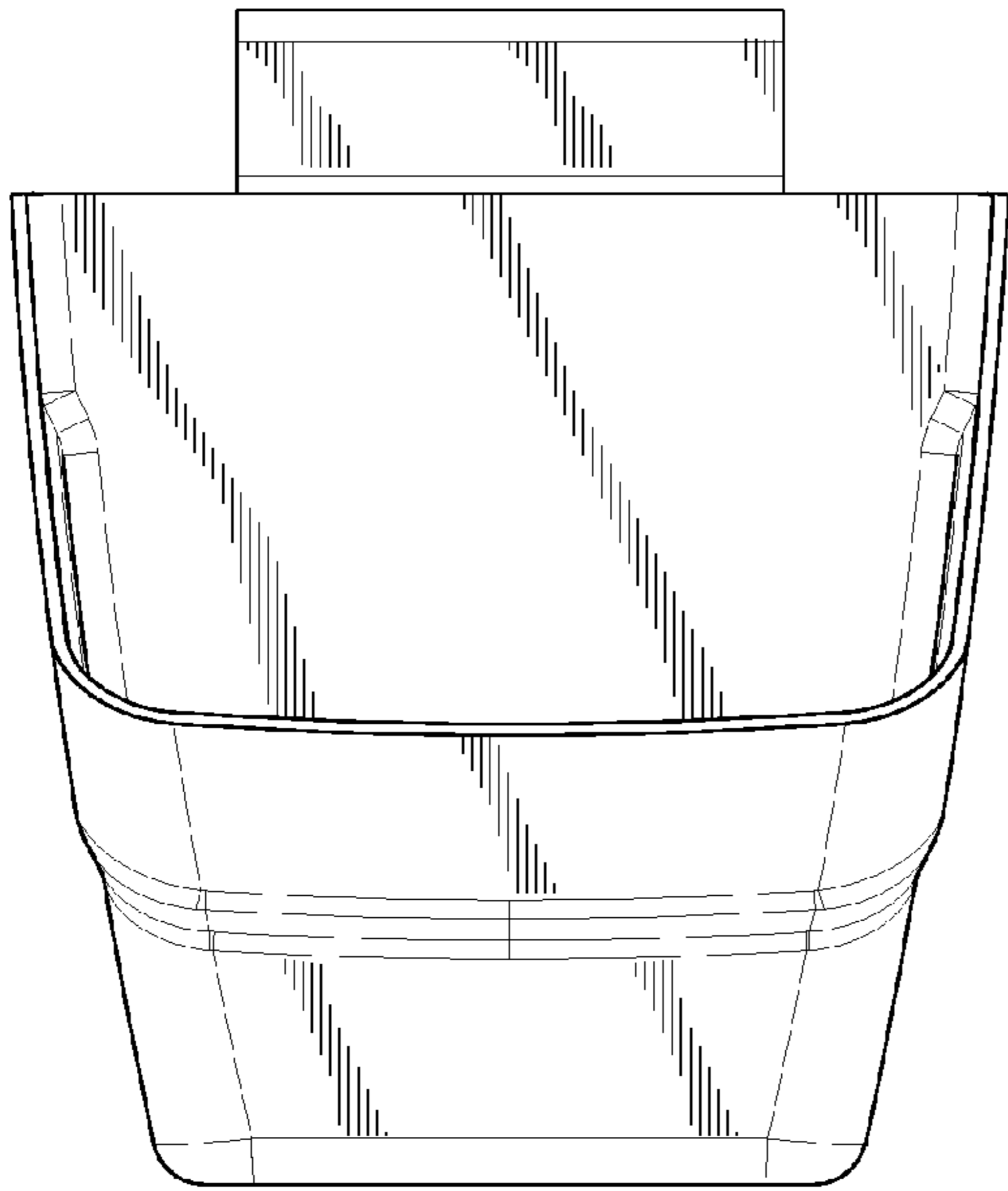


Fig.9

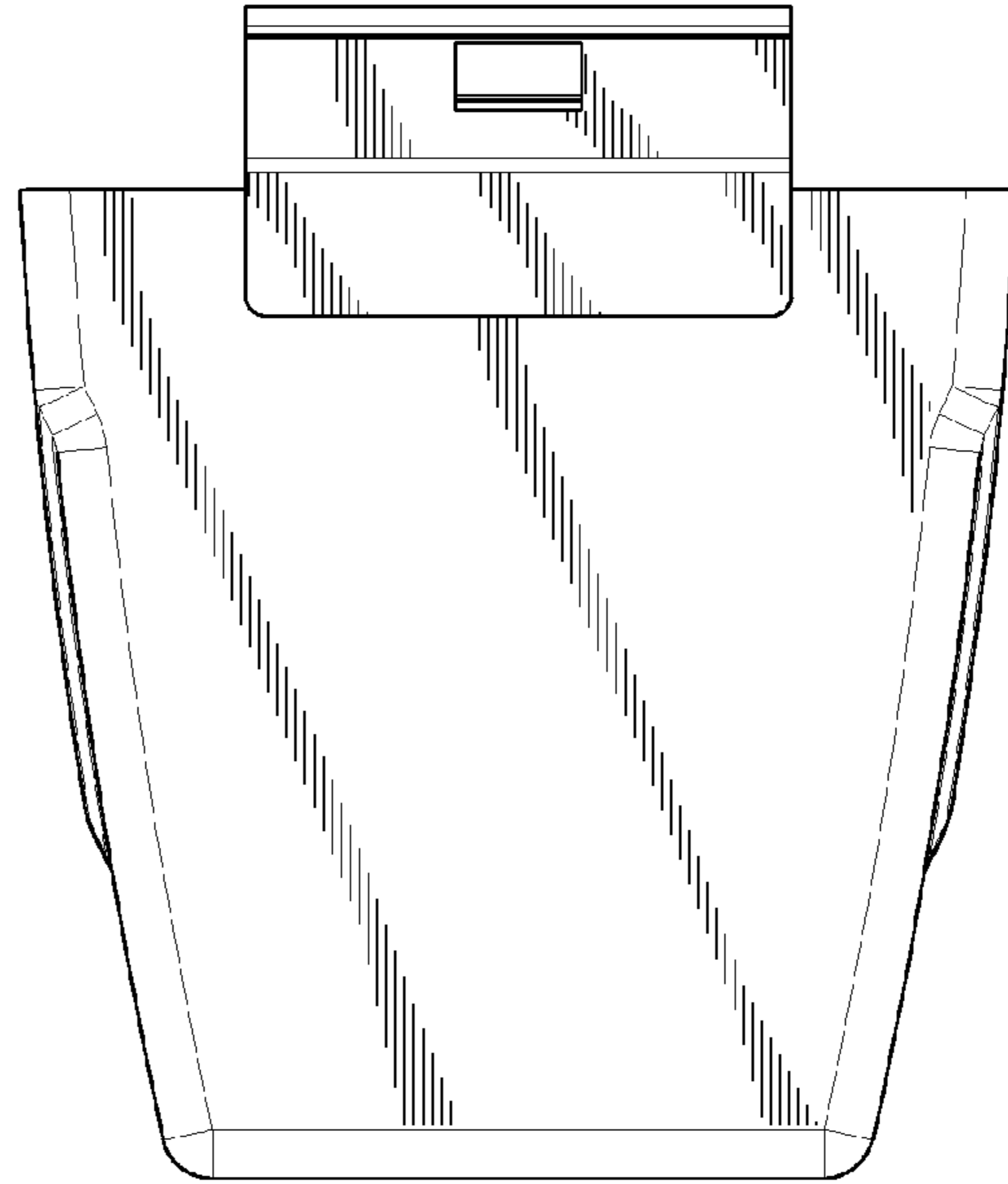


Fig.10

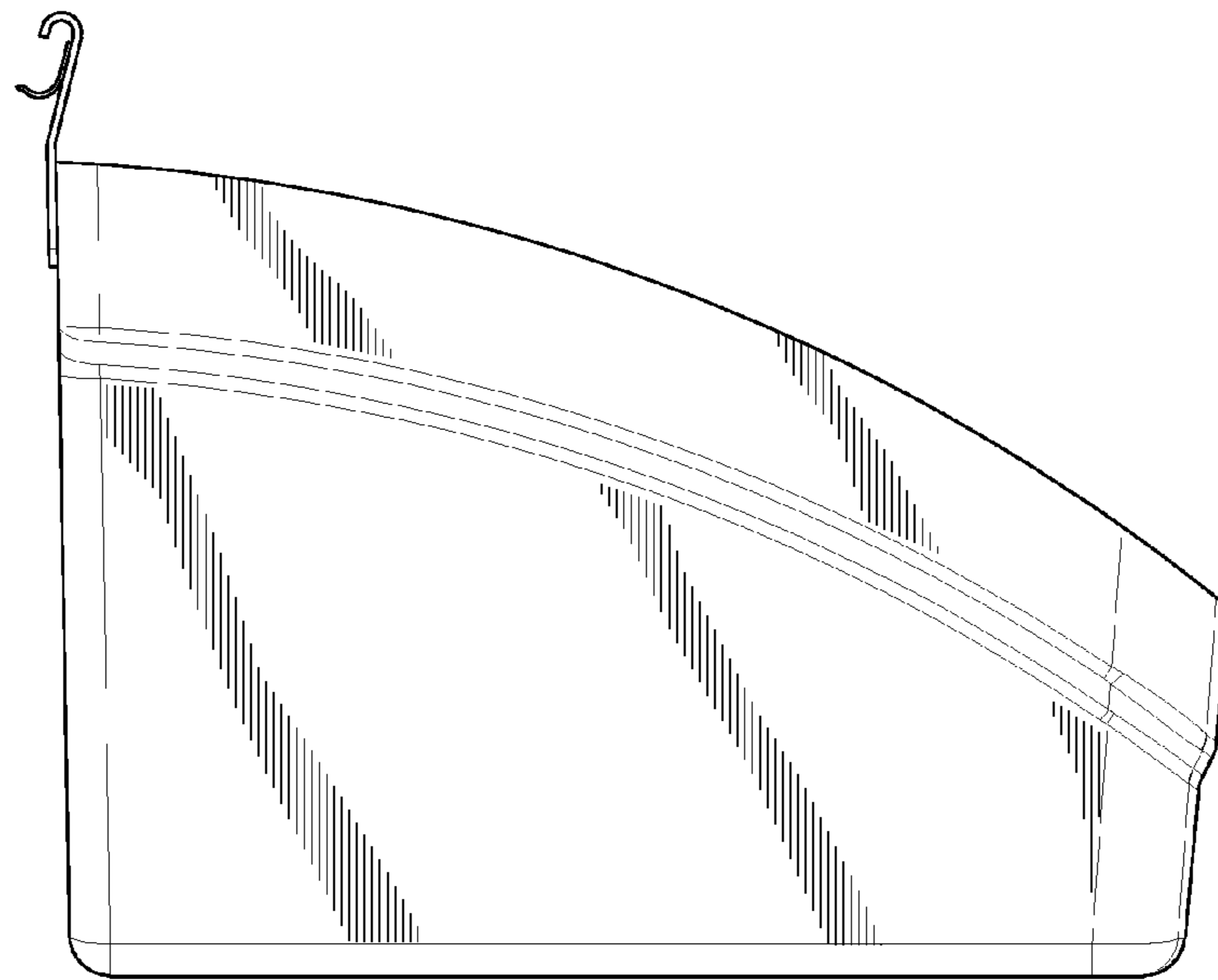


Fig.11

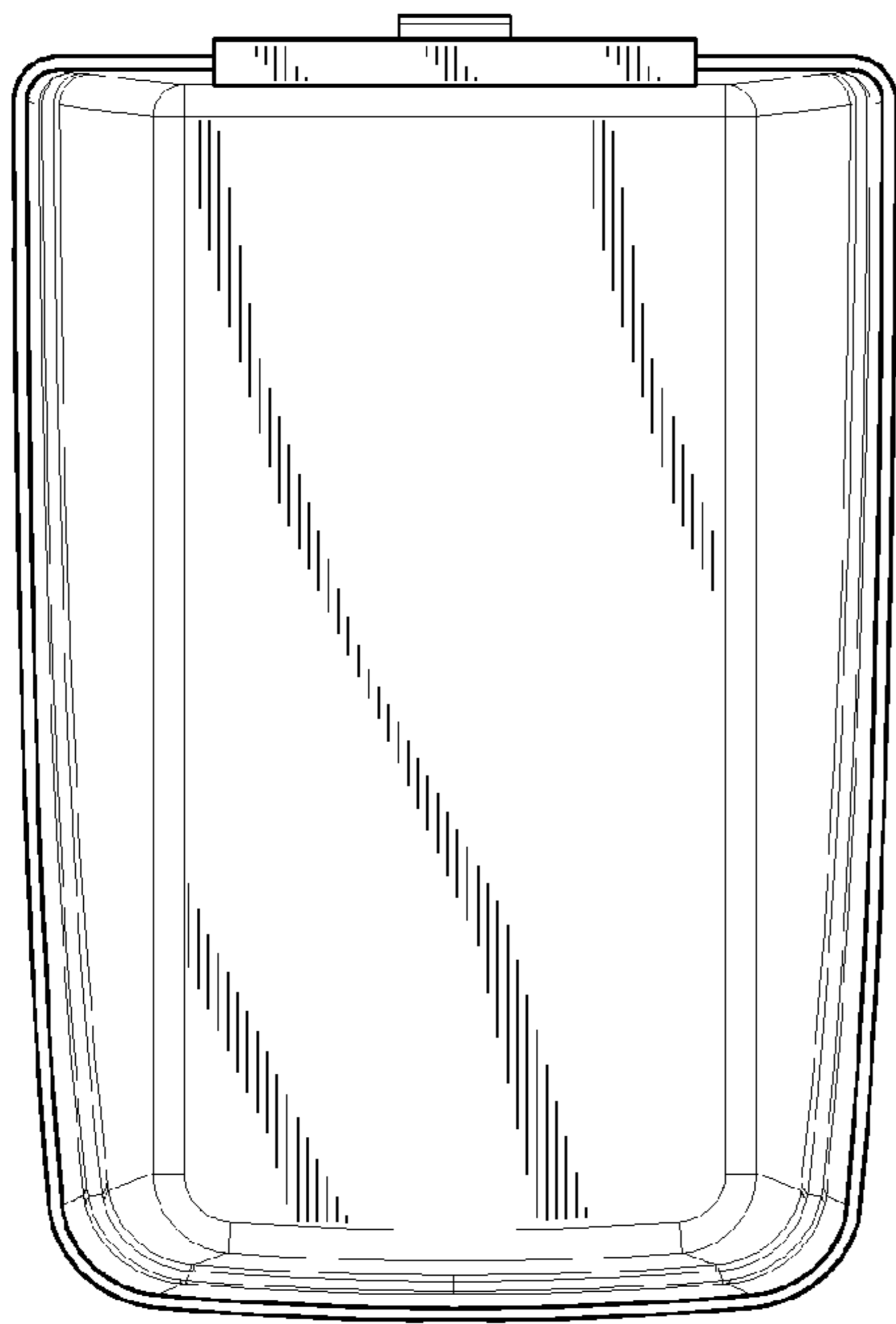


Fig.12

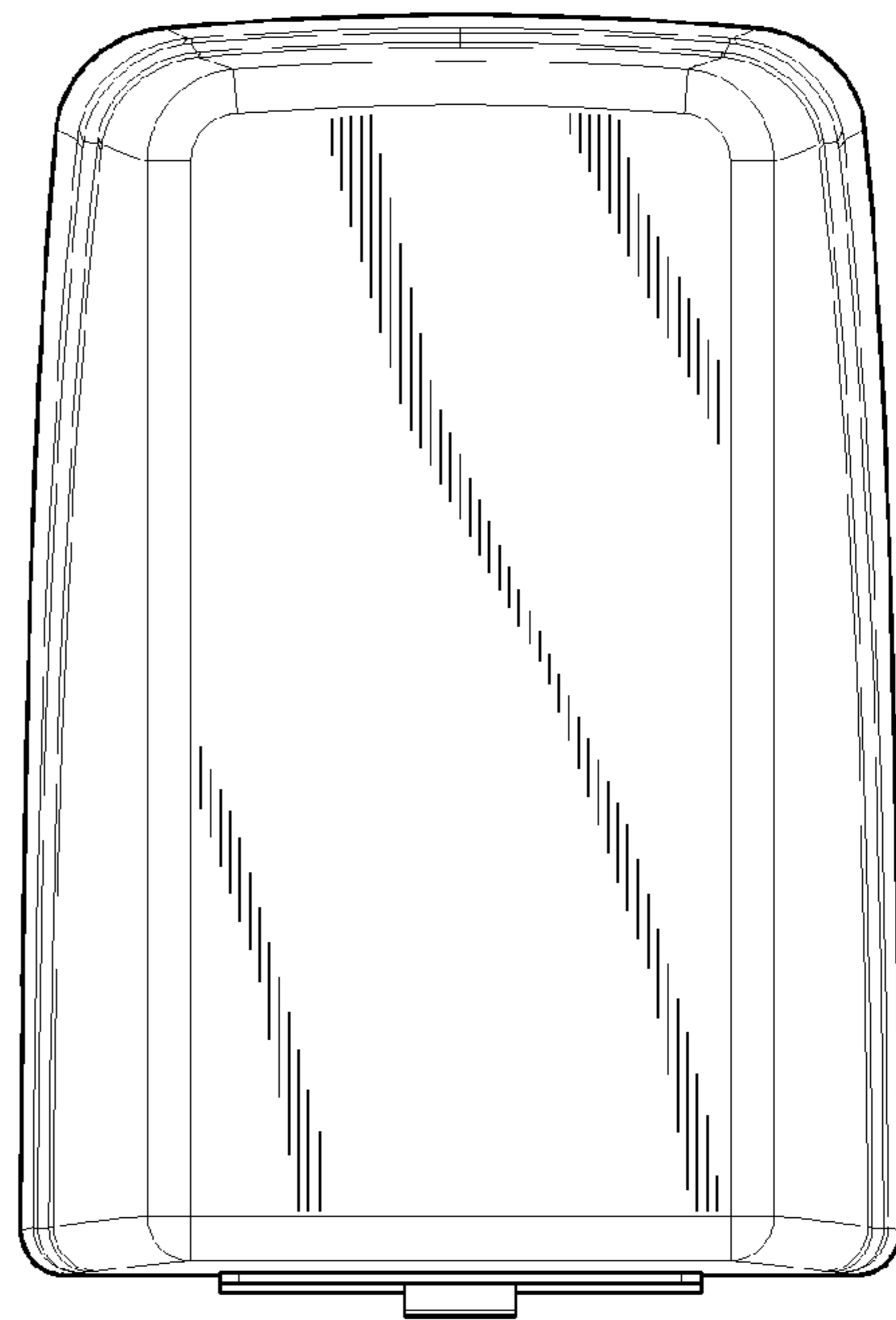


Fig.13