



US00D589724S

(12) **United States Design Patent**
Howe et al.

(10) **Patent No.:** **US D589,724 S**

(45) **Date of Patent:** **** Apr. 7, 2009**

(54) **COMBINED POST AND RAIL COMPONENT FOR A FRAME SYSTEM WITH COUPLERS**

D386,330 S * 11/1997 Russell D6/495
6,195,953 B1 * 3/2001 Gitter et al. 52/843
6,682,253 B2 * 1/2004 Binna et al. 403/263
D497,211 S * 10/2004 Strassle D25/126

(76) Inventors: **Ian Howe**, 19 Ryan Road, Pakenham, Victoria 3810 (AU); **R. William Perry**, 1807 Holiday Rd., Newport Beach, CA (US) 92660

* cited by examiner

Primary Examiner—Doris Clark

(**) Term: **14 Years**

(57) **CLAIM**

(21) Appl. No.: **29/282,857**

The ornamental design for a combined rail and post component for a frame system with couplers, as shown and described.

(22) Filed: **Jul. 31, 2007**

(51) **LOC (9) Cl.** **06-06**

DESCRIPTION

(52) **U.S. Cl.** **D6/495; D25/126**

FIG. 1 is an isometric view of the combined rail and post component for a frame system with couplers of the design of the present invention;

(58) **Field of Classification Search** D25/126;
D6/495, 492, 491; 248/188.8, 346.01; 52/204.2,
52/481.1, 649.2, 650.1, 653.2, 836, 843
See application file for complete search history.

FIG. 2 is a left side elevation view thereof the right side, the top, and the bottom being identical thereto; and,

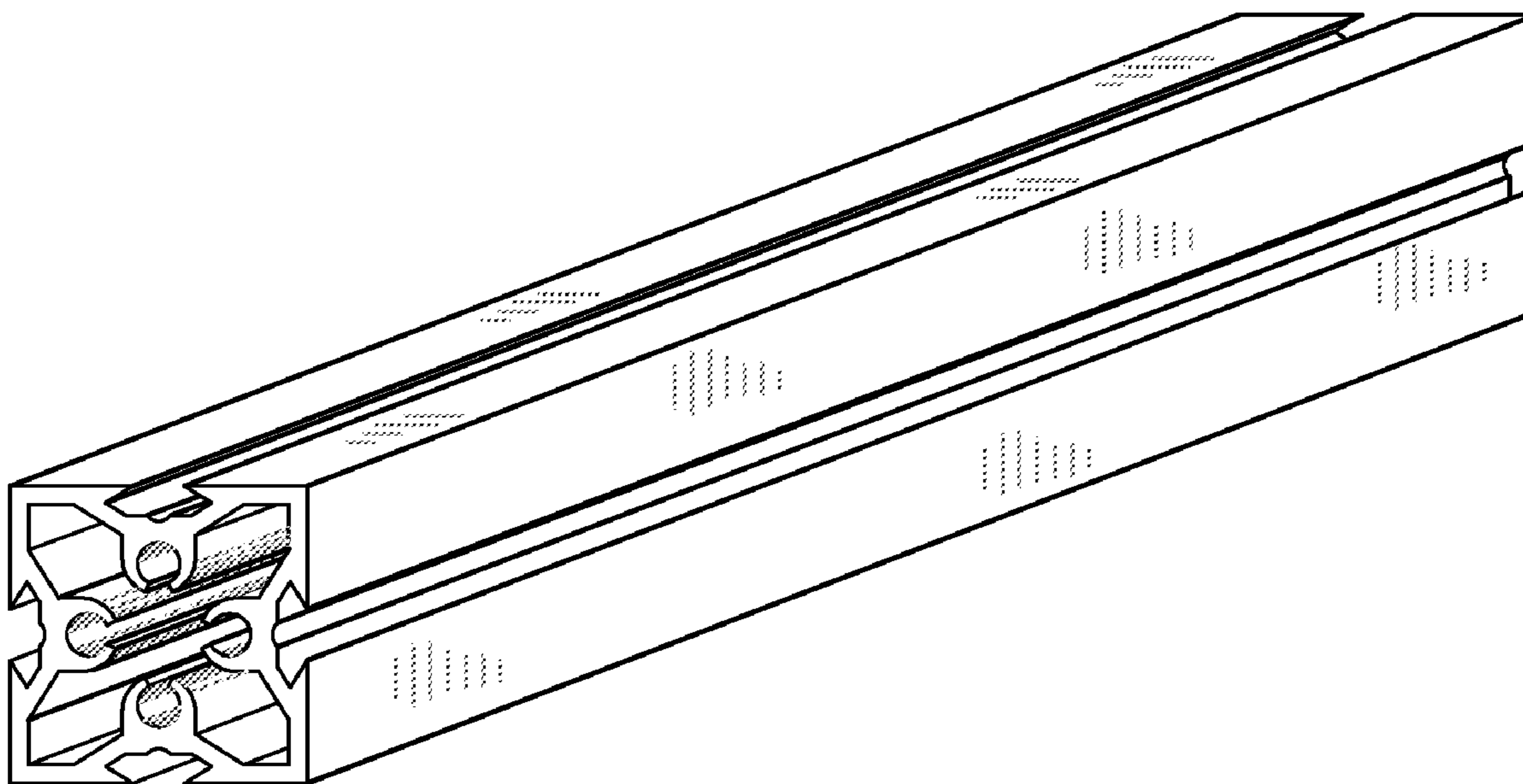
(56) **References Cited**

FIG. 3 is a front elevation view, the rear being identical thereto.

U.S. PATENT DOCUMENTS

5,271,204 A * 12/1993 Wolf et al. 52/836

1 Claim, 1 Drawing Sheet



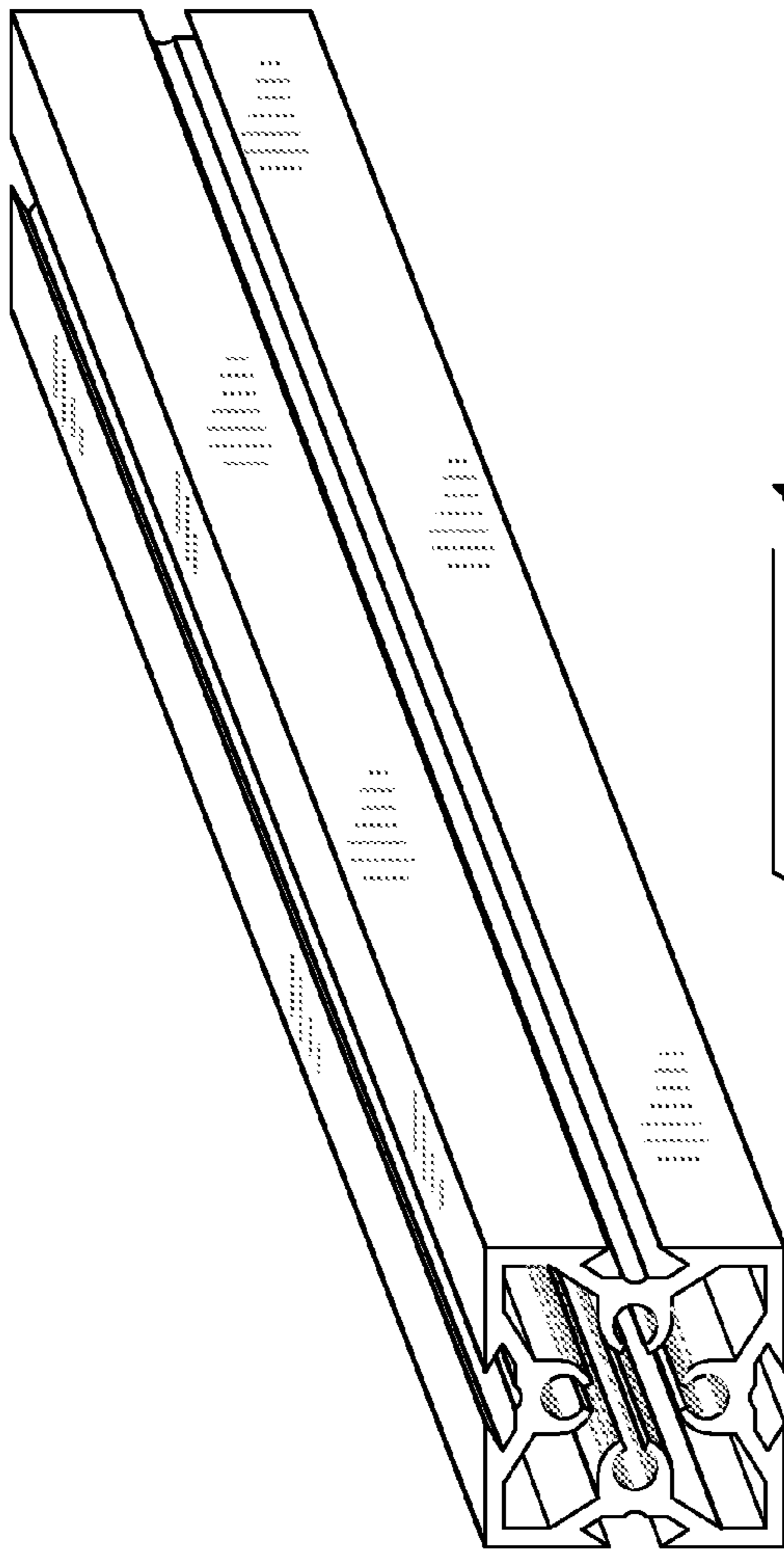


FIG 1

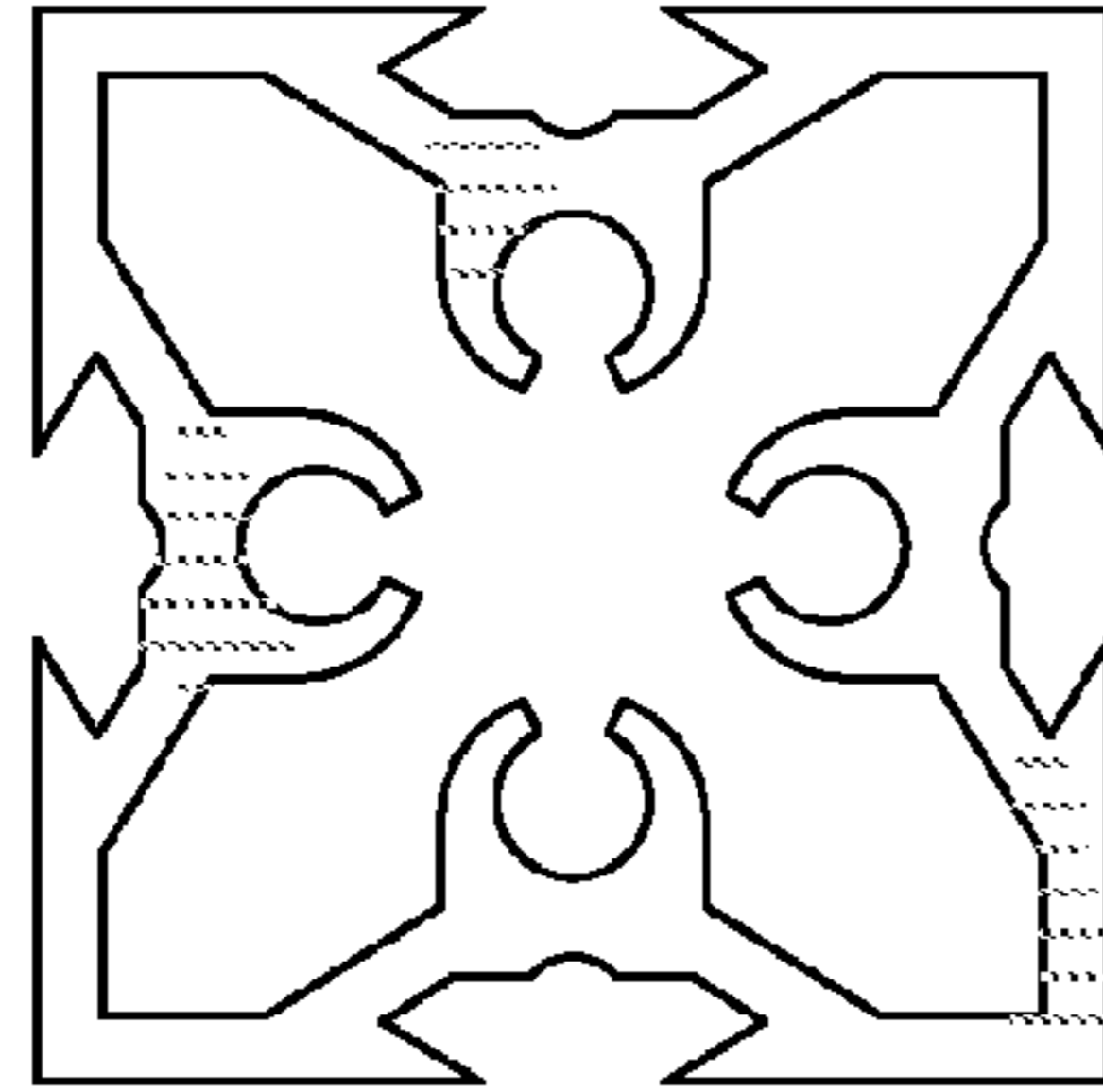


FIG 3

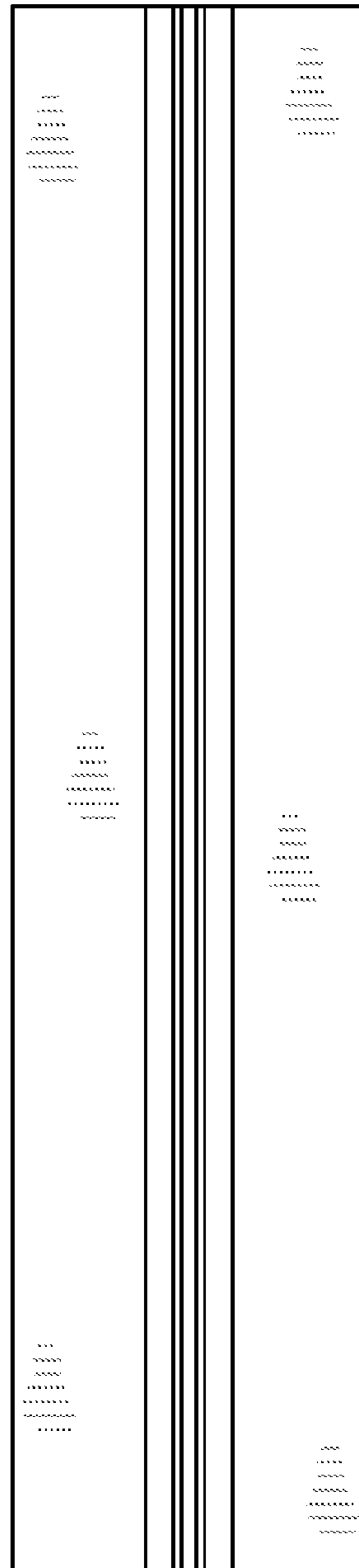


FIG 2