



US00D589720S

(12) **United States Design Patent**  
**Cute**

(10) **Patent No.:** **US D589,720 S**

(45) **Date of Patent:** **\*\* Apr. 7, 2009**

(54) **TEARDROP-SHAPED PLANT HANGER**

(75) Inventor: **Joe Cute**, Geneva, IL (US)

(73) Assignee: **Sun Hill Industries, Inc.**, Fairfield, CT (US)

(\*\*) Term: **14 Years**

(21) Appl. No.: **29/306,722**

(22) Filed: **Apr. 15, 2008**

(51) **LOC (9) Cl.** ..... **11-02**

(52) **U.S. Cl.** ..... **D6/404; D6/403**

(58) **Field of Classification Search** ..... D6/403-405, D6/556; D8/1; D11/143-156; D19/77, D19/81, 84; D25/100; D26/9, 16, 19; 47/32.7, 47/33, 39, 41.01, 41.1, 41.11-41.15, 44-47, 47/65.5, 65.9, 66.1, 66.6, 66.7, 67-71  
See application file for complete search history.

(56) **References Cited**

**U.S. PATENT DOCUMENTS**

|           |   |   |         |                        |       |         |
|-----------|---|---|---------|------------------------|-------|---------|
| 1,127,530 | A | * | 2/1915  | Setchell               | ..... | 47/47   |
| D71,462   | S | * | 11/1926 | Kahn                   | ..... | D11/154 |
| D87,361   | S | * | 7/1932  | Scott et al.           | ..... | D6/403  |
| D244,407  | S | * | 5/1977  | Gass                   | ..... | D6/403  |
| D300,702  | S | * | 4/1989  | Larson                 | ..... | D6/513  |
| D391,718  | S | * | 3/1998  | Cagas                  | ..... | D11/146 |
| D415,366  | S | * | 10/1999 | Walters-Dowding et al. | ..... | D6/403  |

|          |   |   |         |                |       |        |
|----------|---|---|---------|----------------|-------|--------|
| D425,326 | S | * | 5/2000  | Rehmert et al. | ..... | D6/403 |
| D483,198 | S | * | 12/2003 | Davies         | ..... | D6/403 |
| D504,789 | S | * | 5/2005  | Hayes          | ..... | D6/403 |
| D504,790 | S | * | 5/2005  | Ramsey         | ..... | D6/403 |
| D559,008 | S | * | 1/2008  | Knight         | ..... | D6/403 |
| D579,230 | S | * | 10/2008 | Denham         | ..... | D6/405 |

\* cited by examiner

*Primary Examiner*—Caron Veynar

*Assistant Examiner*—Garth Rademaker

(74) *Attorney, Agent, or Firm*—Thorp Reed & Armstrong, LLP

(57) **CLAIM**

The ornamental design for a teardrop-shaped plant hanger, as shown and described.

**DESCRIPTION**

FIG. 1 is a perspective view of a teardrop-shaped plant hanger showing my new design;

FIG. 2 is a front elevational view thereof;

FIG. 3 is a left elevational view thereof;

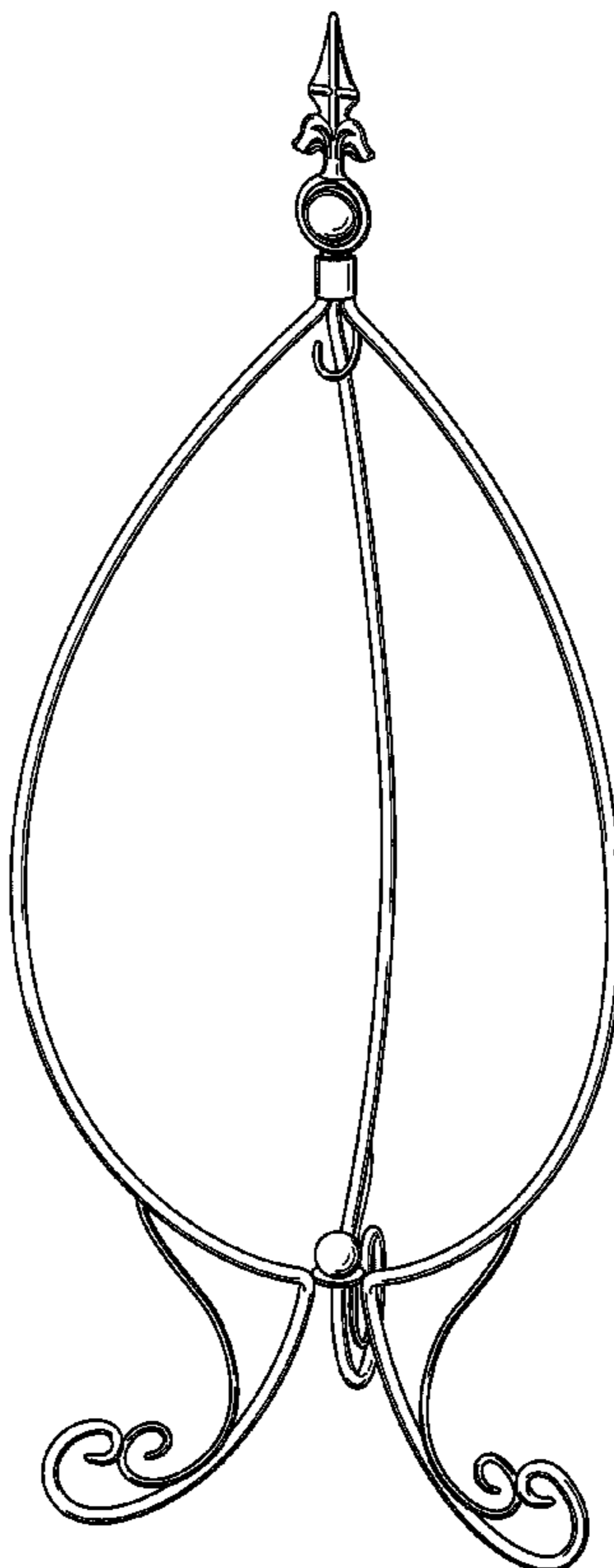
FIG. 4 is a rear elevational view thereof;

FIG. 5 is a right elevational view thereof;

FIG. 6 is a top plan view thereof; and,

FIG. 7 is a bottom plan view thereof.

**1 Claim, 6 Drawing Sheets**



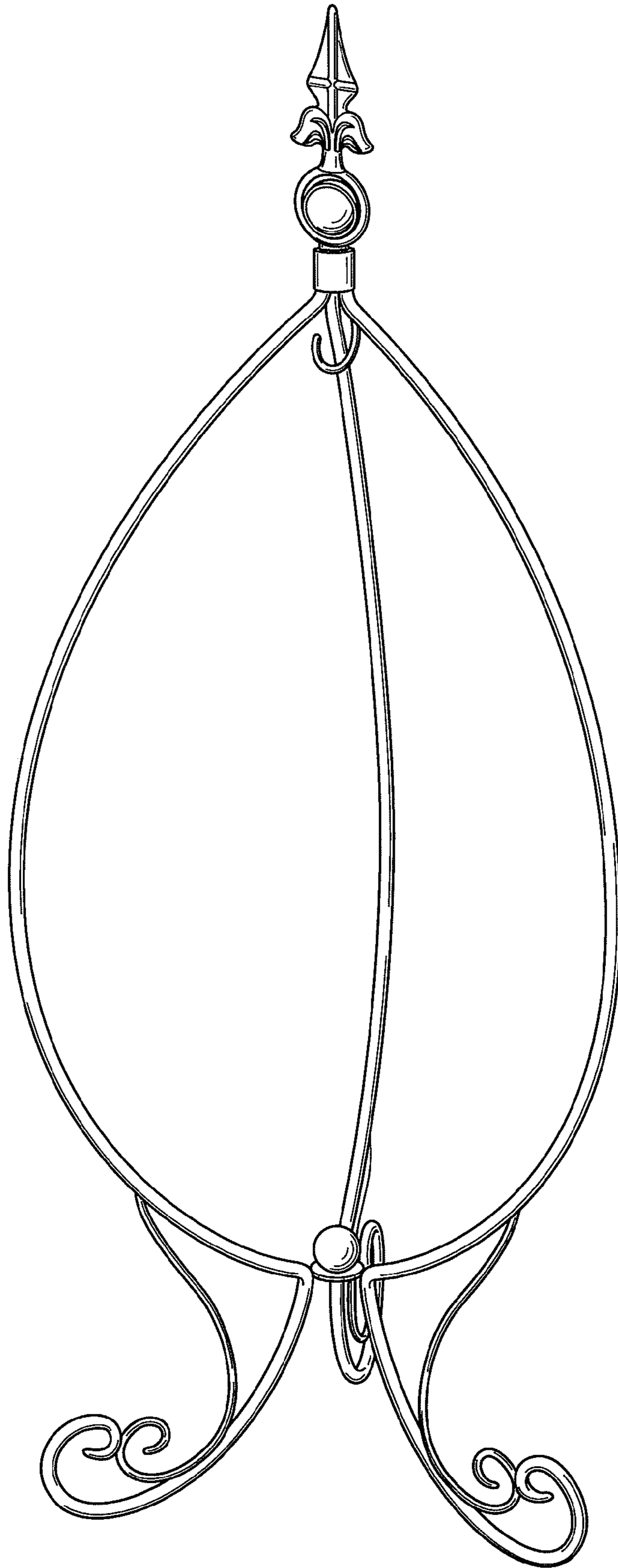


FIG. 1

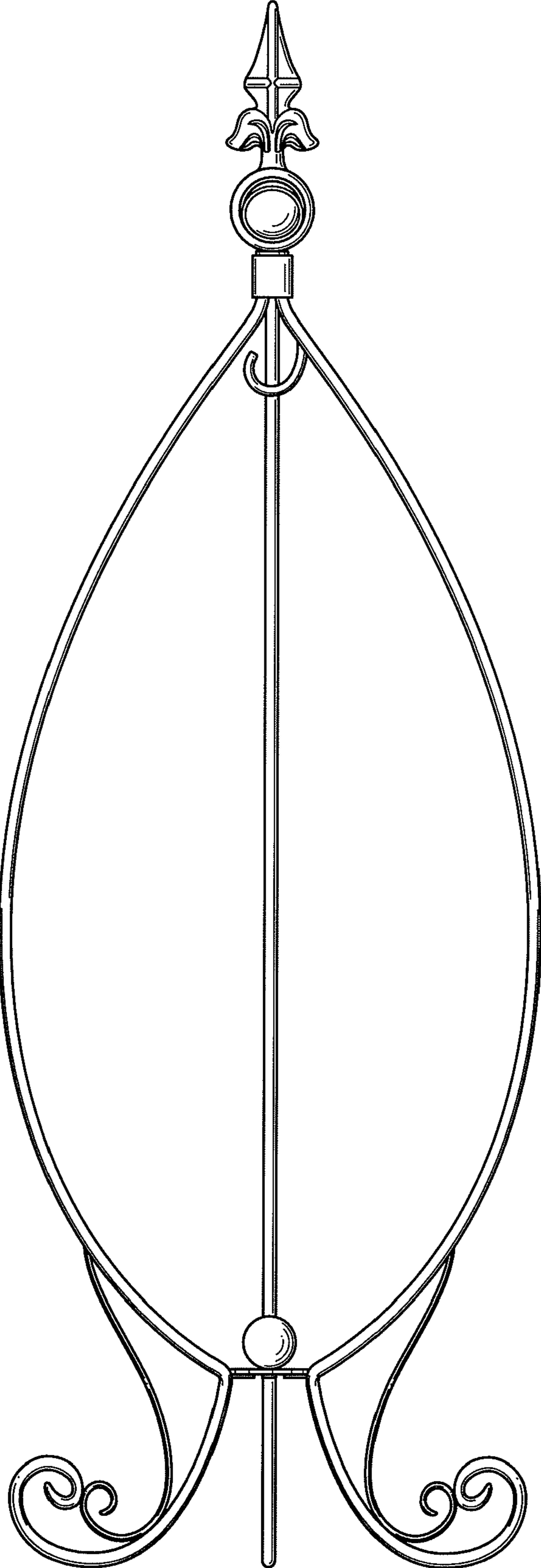


FIG. 2

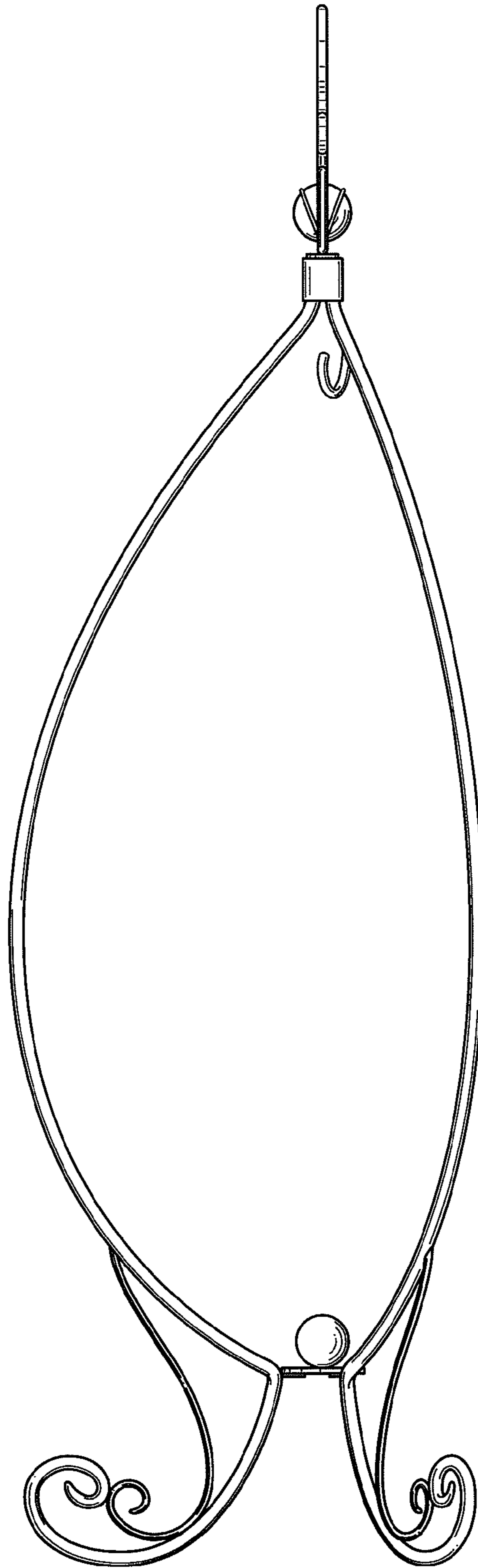


FIG. 3

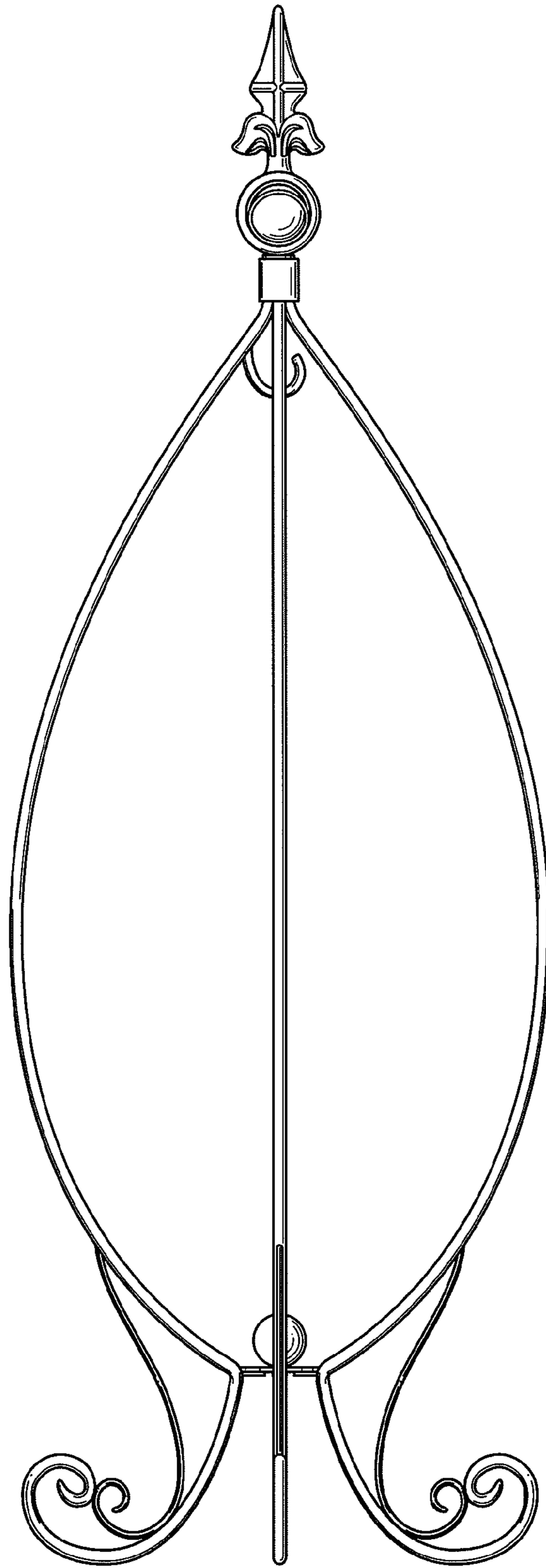


FIG. 4

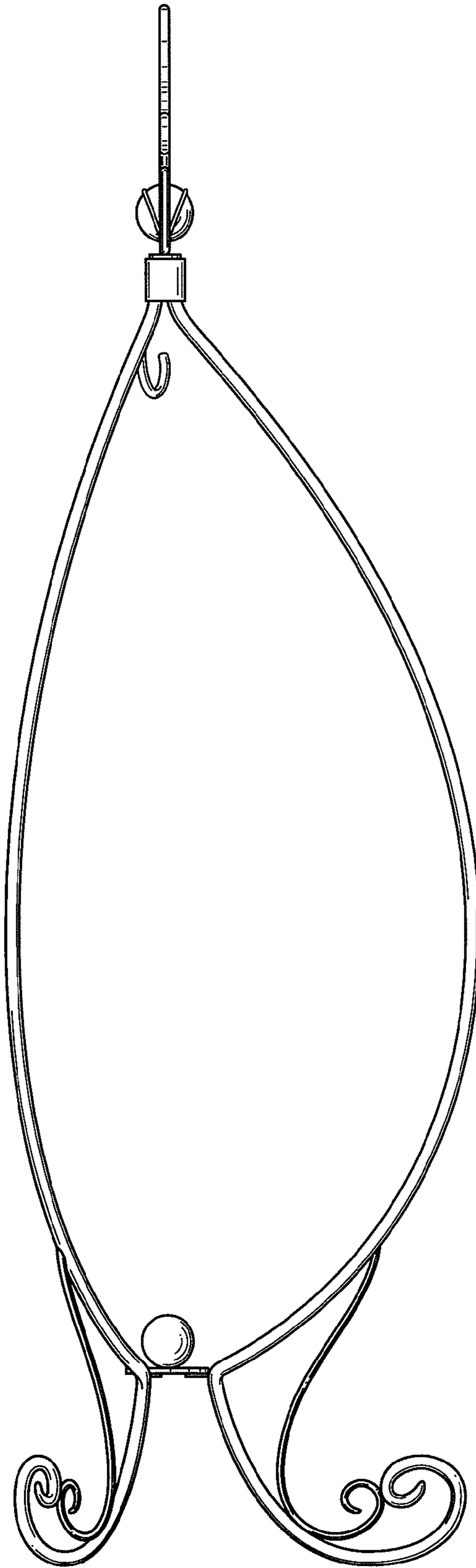


FIG. 5

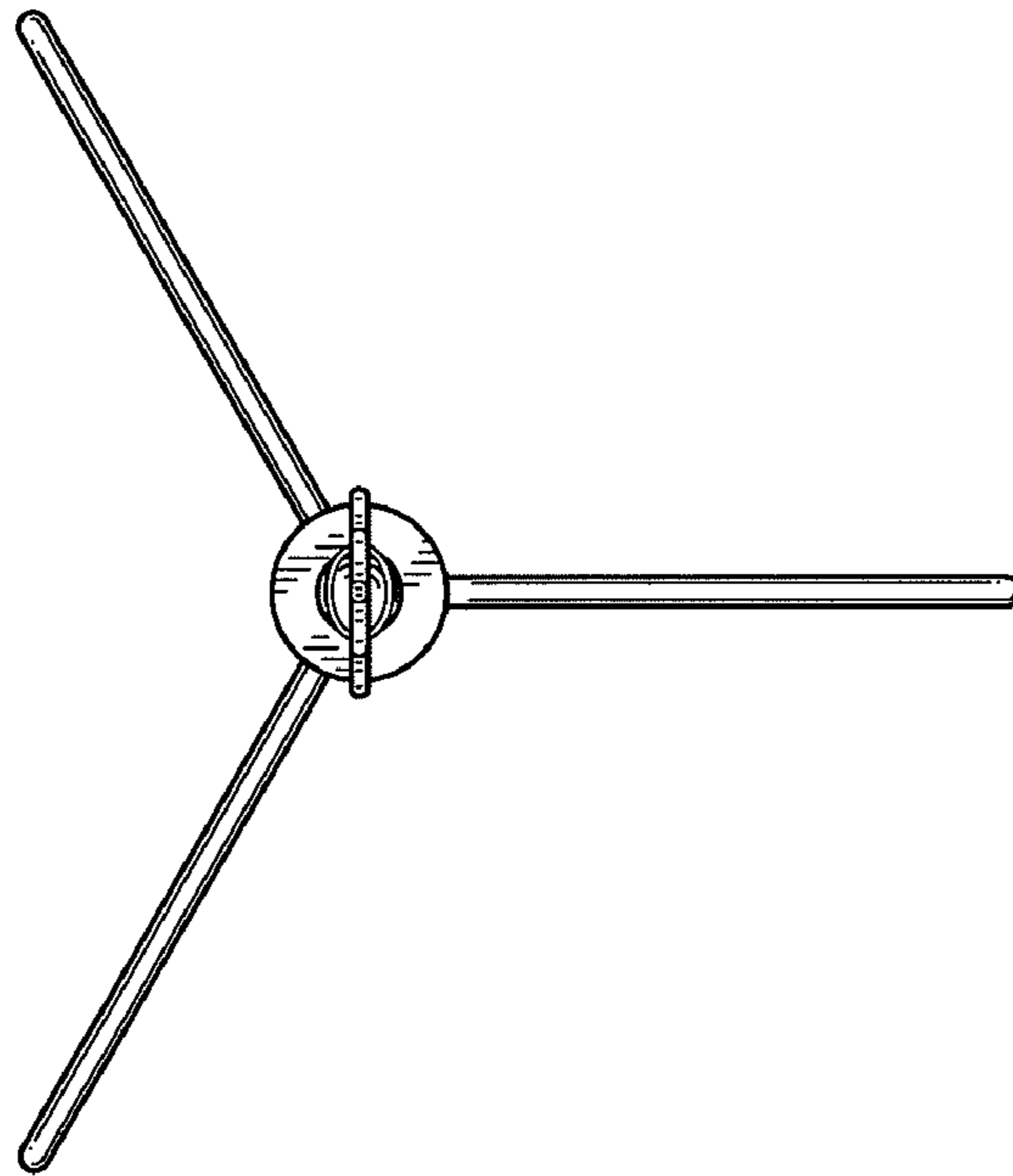


FIG. 6

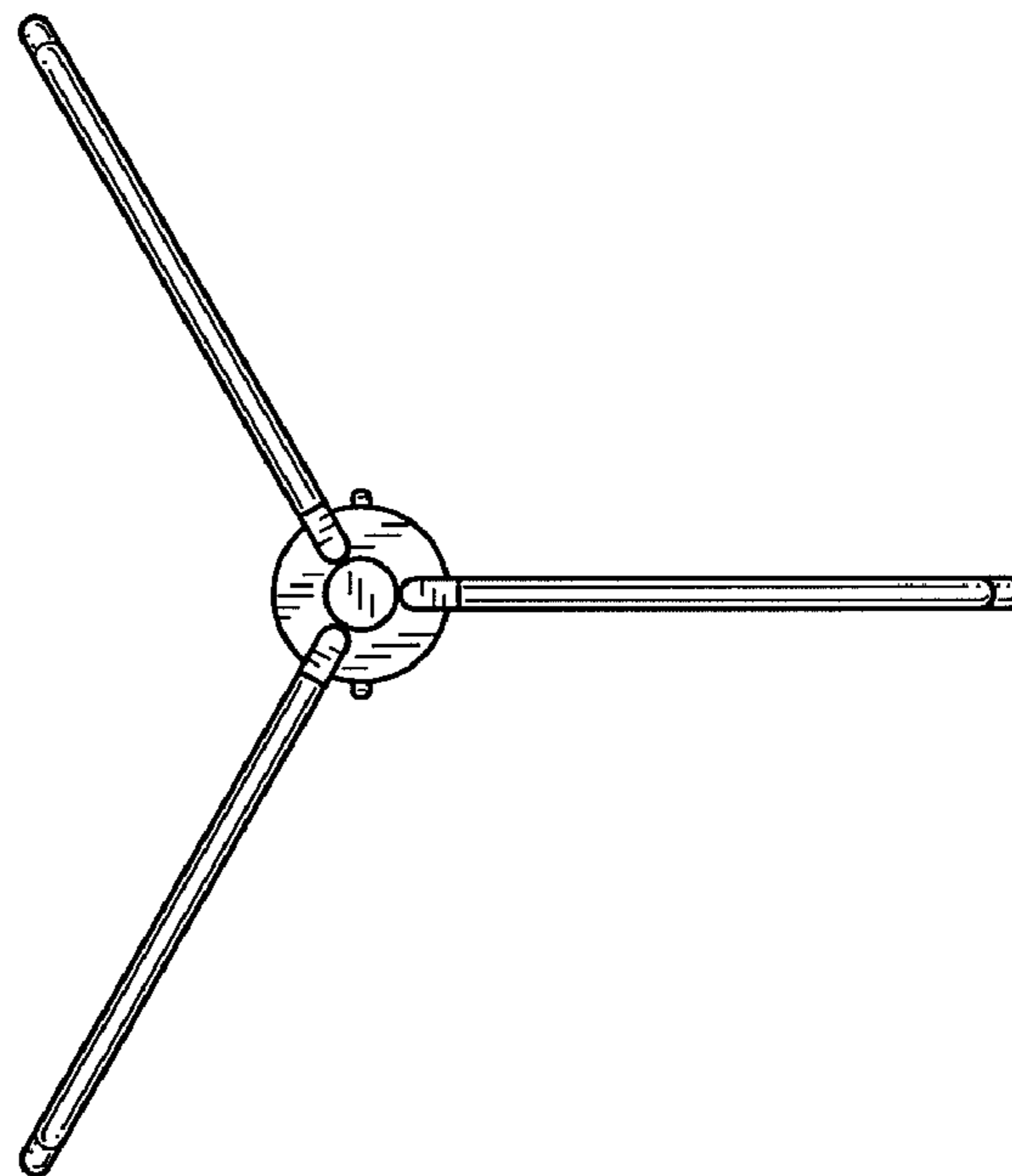


FIG. 7