



US00D589718S

(12) **United States Design Patent**
Hand

(10) **Patent No.:** **US D589,718 S**
(45) **Date of Patent:** **** Apr. 7, 2009**

- (54) **TOOL CHEST AND CABINET**
- (75) Inventor: **Jim Hand**, Glen Ellyn, IL (US)
- (73) Assignee: **Waterloo Industries, Inc.**, Oak Creek, WI (US)
- (**) Term: **14 Years**
- (21) Appl. No.: **29/270,008**
- (22) Filed: **Dec. 13, 2006**
- (51) **LOC (9) Cl.** **06-04**
- (52) **U.S. Cl.** **D6/400; D3/297; D3/905; D3/318; D6/445**
- (58) **Field of Classification Search** D3/260, D3/272-275, 276, 283, 294-297, 318, 321-322, D3/903, 905; D6/396-397, 432-448, 491, D6/509-510; D8/313; D32/25; D34/12; 206/349, 372-373, 376-379; 312/107, 117, 312/125, 204, 209, 224, 249.1, 249.11, 249.12, 312/257.1, 280, 282, 308, 332.1, 351, 902; 361/695

See application file for complete search history.

(56) **References Cited**

U.S. PATENT DOCUMENTS

- D182,558 S * 4/1958 Willman D8/313
- D205,522 S 8/1966 Doman
- D218,080 S 7/1970 Sierzega
- D229,262 S * 11/1973 Pearson D6/433
- 4,120,549 A 10/1978 Bureau
- D327,967 S 7/1992 Hikawa
- D341,253 S 11/1993 Ballman et al.
- 5,281,020 A * 1/1994 Romick 312/308
- 5,332,305 A 7/1994 Slivon et al.
- D356,703 S * 3/1995 Dickinson D6/439
- 5,443,311 A 8/1995 Kadlecek et al.
- D361,910 S 9/1995 Maple et al.
- 5,482,162 A * 1/1996 Dickinson 206/373
- 5,497,878 A * 3/1996 Sandonato 206/372

- D370,342 S 6/1996 Gwyther
- D370,572 S 6/1996 Lin
- D372,378 S 8/1996 Kruger
- 5,607,214 A 3/1997 Pierce et al.
- D381,166 S 7/1997 Bonazza
- D385,722 S 11/1997 Yemini
- D386,626 S 11/1997 Yemini
- 5,720,535 A 2/1998 Mehman
- D393,541 S 4/1998 Calmeise
- 5,857,757 A 1/1999 Bieker et al.
- D423,817 S * 5/2000 Holcomb et al. D6/445
- D423,818 S 5/2000 Holcomb et al.
- D427,807 S 7/2000 Holcomb et al.
- 6,109,709 A 8/2000 Holcomb et al.
- D430,426 S 9/2000 Bieker et al.

(Continued)

Primary Examiner—Caron Veynar
Assistant Examiner—Ricky Pham
(74) *Attorney, Agent, or Firm*—Calfee, Halter, Griswold LLP

(57) **CLAIM**

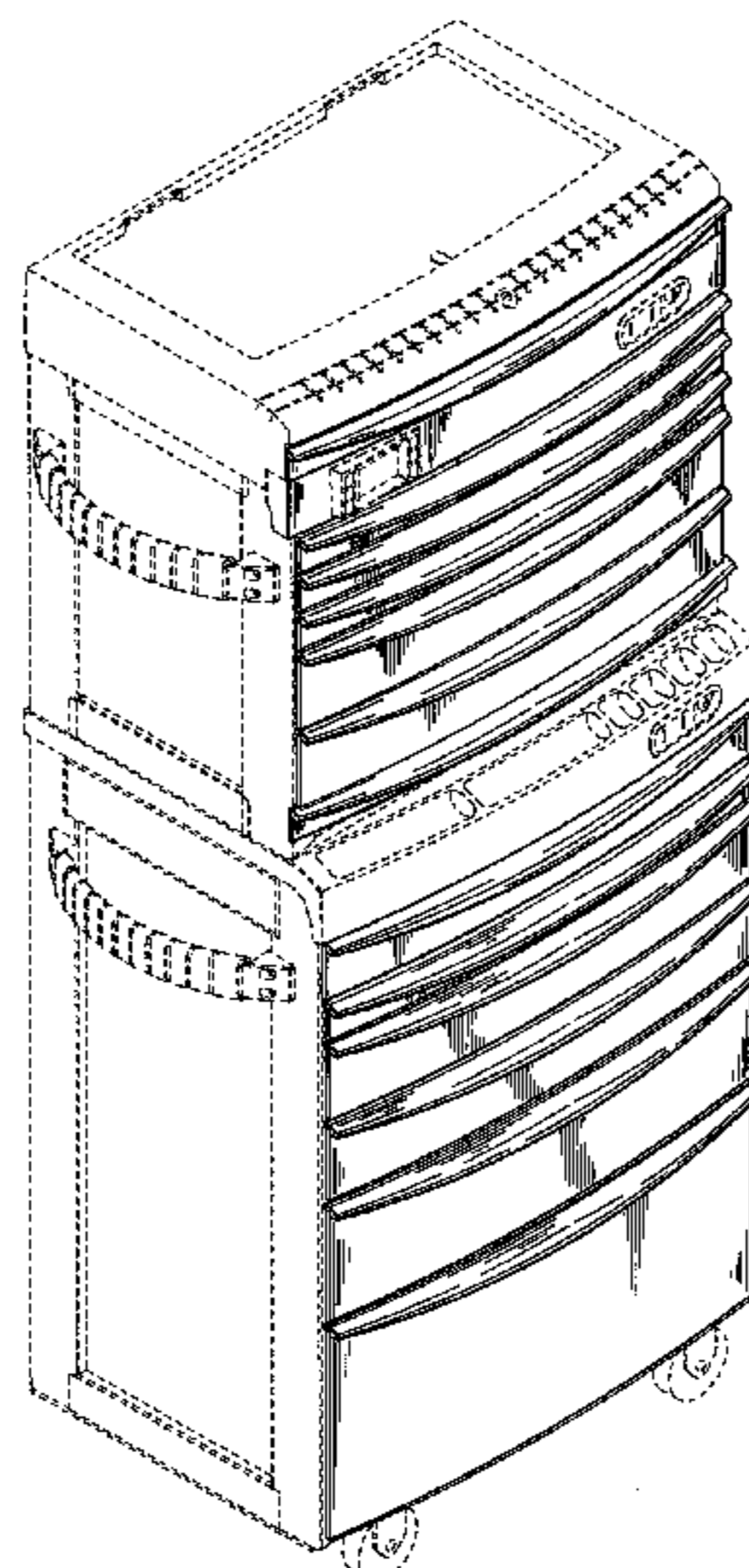
I claim the ornamental design for a tool chest and cabinet, as shown and described.

DESCRIPTION

- FIG. 1 is a perspective view of a tool chest and cabinet showing my new design;
- FIG. 2 is a front elevational view thereof;
- FIG. 3 is a rear elevational view thereof;
- FIG. 4 is a left side elevational view thereof;
- FIG. 5 is a right side elevational view thereof;
- FIG. 6 is a top plan view thereof; and,
- FIG. 7 is a bottom plan view thereof.

The phantom lines at the rear edge of the claimed subject matter indicate boundary of claimed design. All other phantom lines are shown in the drawings for illustrative purposes only and form no part of the claimed design.

1 Claim, 5 Drawing Sheets



US D589,718 S

Page 2

U.S. PATENT DOCUMENTS

D431,934 S *	10/2000	Chininis	D6/446	D526,782 S	8/2006	Hosking	
6,176,559 B1	1/2001	Tiramani et al.		D538,997 S *	3/2007	Schlembach	D34/12
D448,168 S	9/2001	Johnston		D547,160 S	7/2007	Hand et al.	
D449,181 S	10/2001	Story et al.		D549,408 S *	8/2007	Lee	D32/25
D453,074 S	1/2002	Johnston		D554,370 S *	11/2007	Hand	D3/297
6,347,847 B1	2/2002	Tiramani et al.		D554,864 S *	11/2007	Hand	D3/297
D455,902 S	4/2002	Wolf		D563,103 S *	3/2008	Hand	D3/297
D457,704 S	5/2002	Fiscus et al.		D563,119 S *	3/2008	Malley et al.	D6/445
D461,067 S	8/2002	Frank et al.		D563,120 S *	3/2008	Malley et al.	D6/445
D470,687 S	2/2003	Binse et al.		D566,396 S *	4/2008	Hand	D3/297
D477,724 S *	7/2003	Bishop	D6/434	D568,078 S *	5/2008	Kohagen et al.	D6/510
D504,260 S *	4/2005	Arceta	D6/510	D568,608 S *	5/2008	Hand	D3/297
D505,237 S	5/2005	Schmidt et al.		D573,792 S *	7/2008	Hand	D3/297
D506,090 S	6/2005	Ben-Or		2002/0030425 A1	3/2002	Tiramani et al.	
D514,854 S	2/2006	Schmidt et al.		2002/0074905 A1	6/2002	Tiramani et al.	
D517,805 S	3/2006	Hosking		2007/0228903 A1 *	10/2007	Liu	312/280
D520,784 S	5/2006	Schmidt et al.		2007/0274042 A1 *	11/2007	Jackson et al.	361/695

* cited by examiner

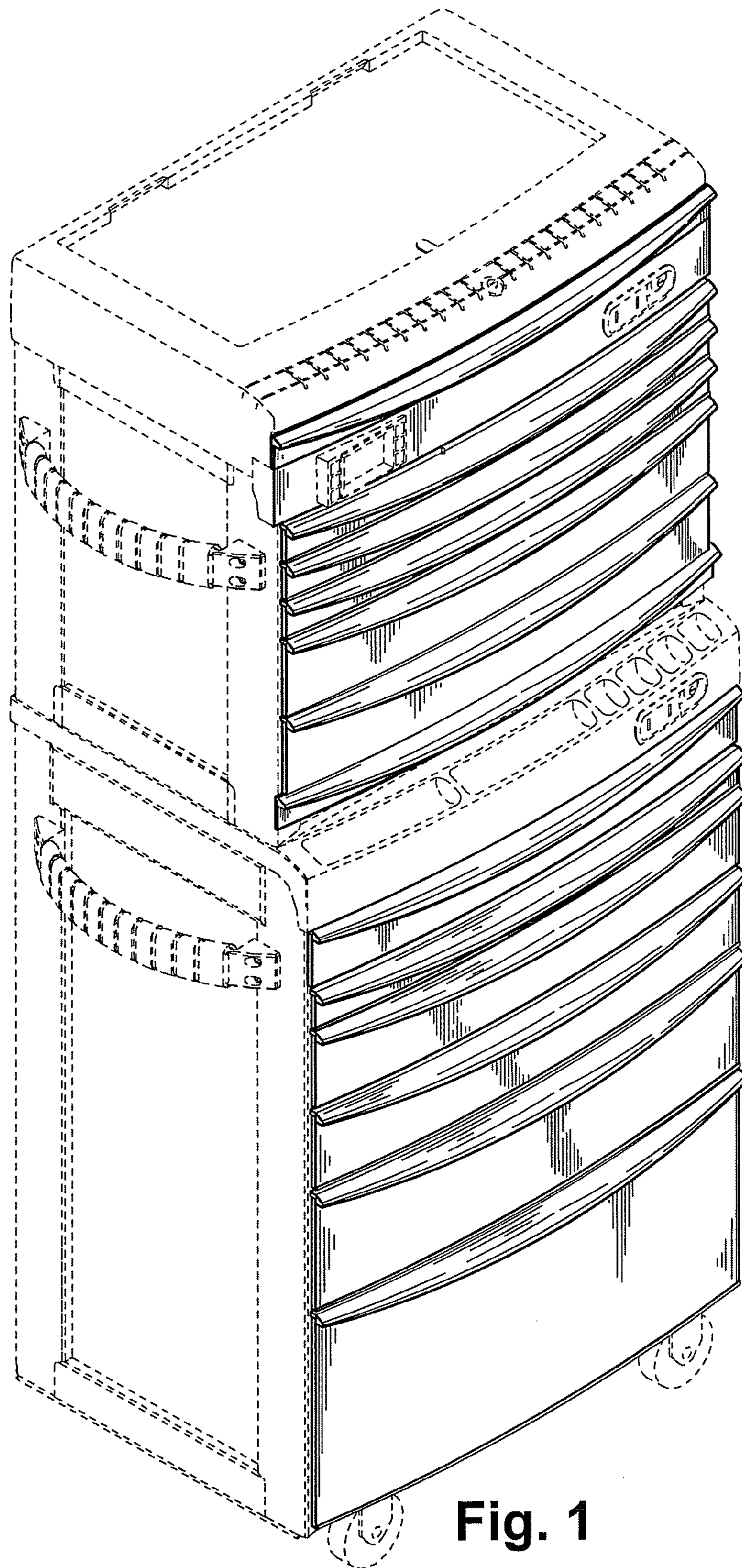


Fig. 1

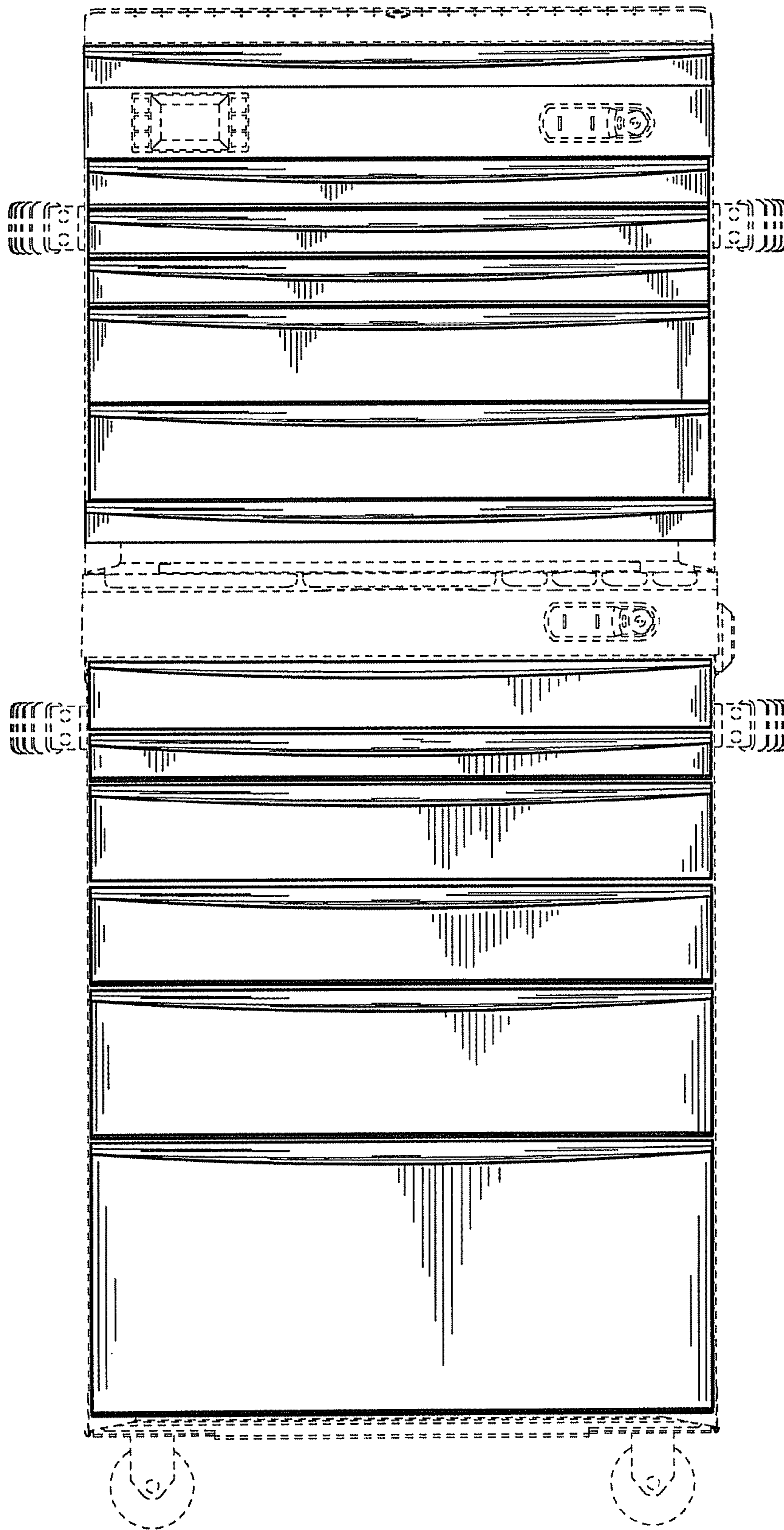


Fig. 2

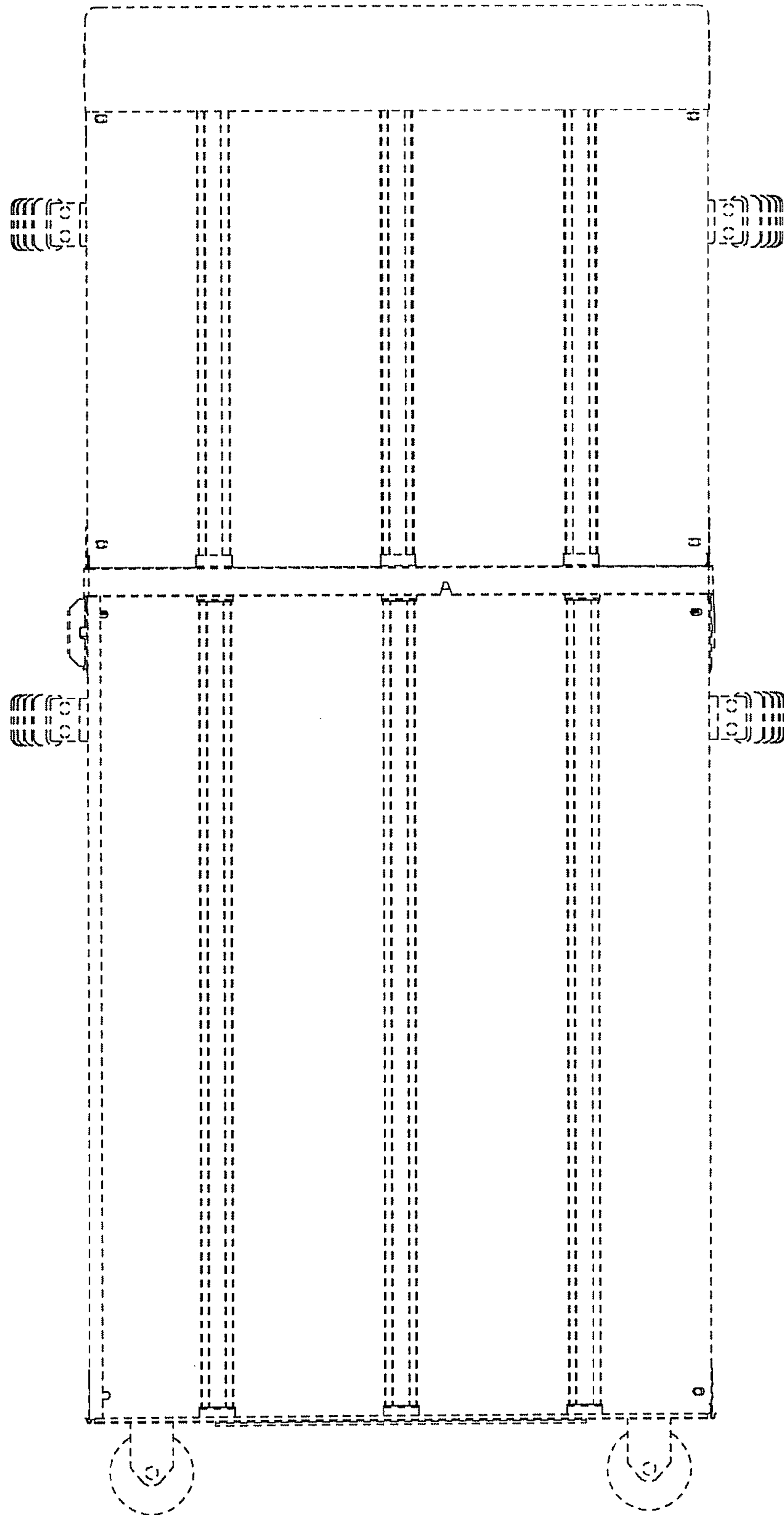


Fig. 3

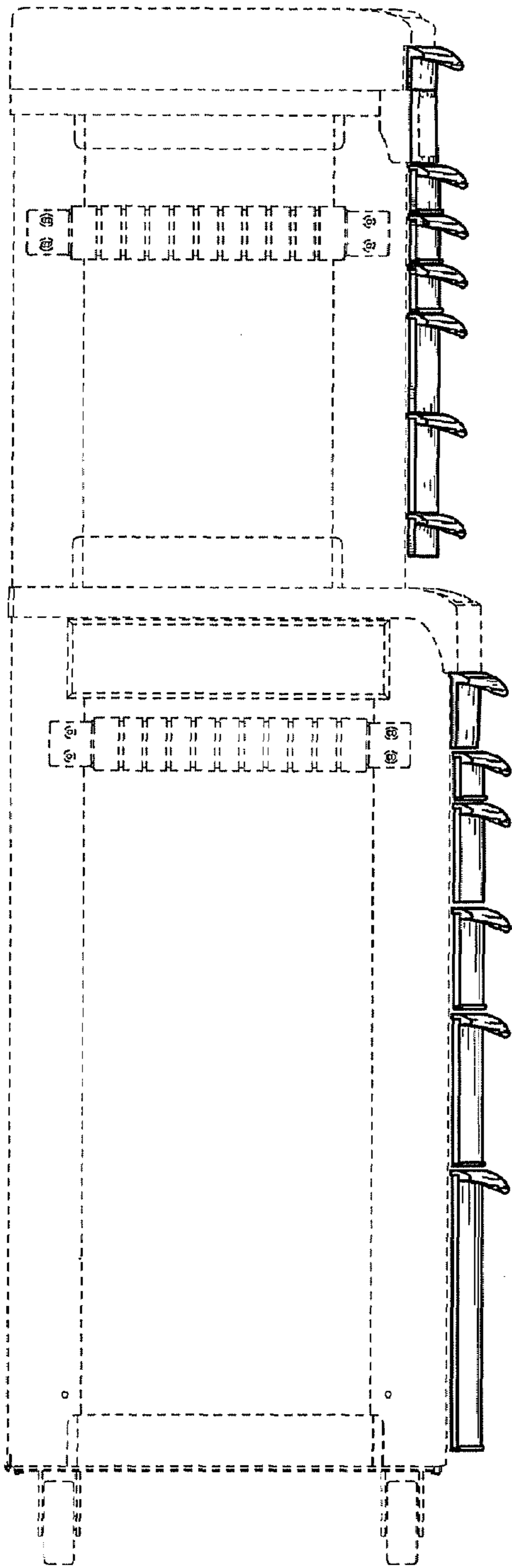


Fig. 4

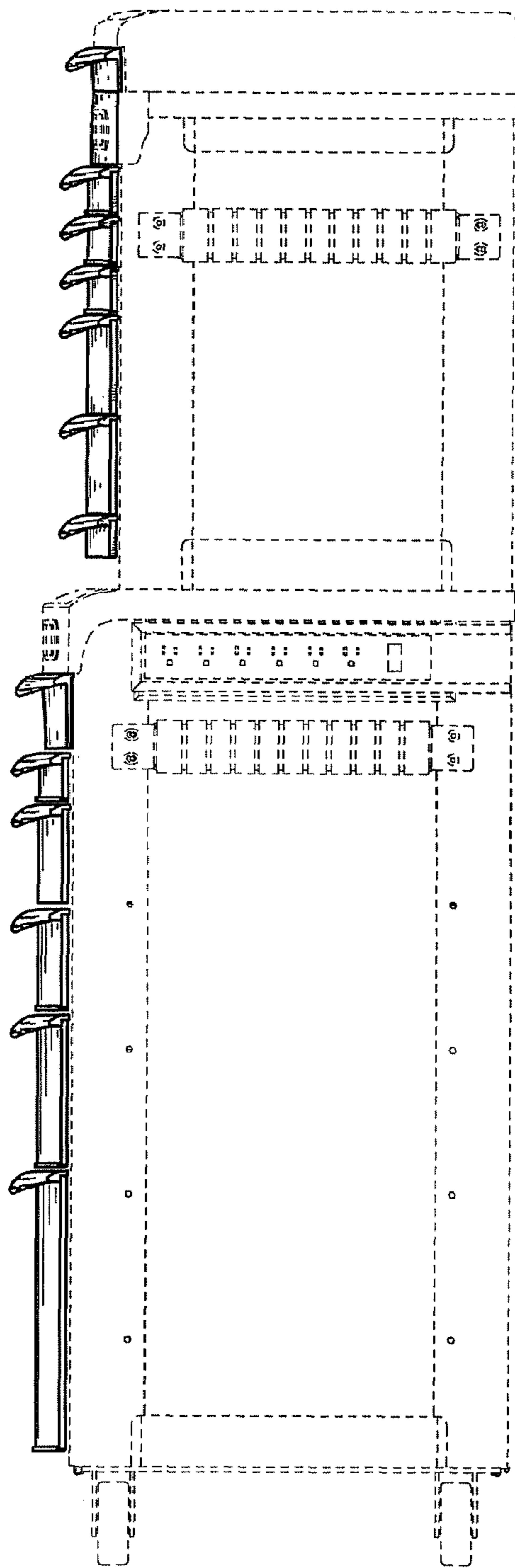


Fig. 5

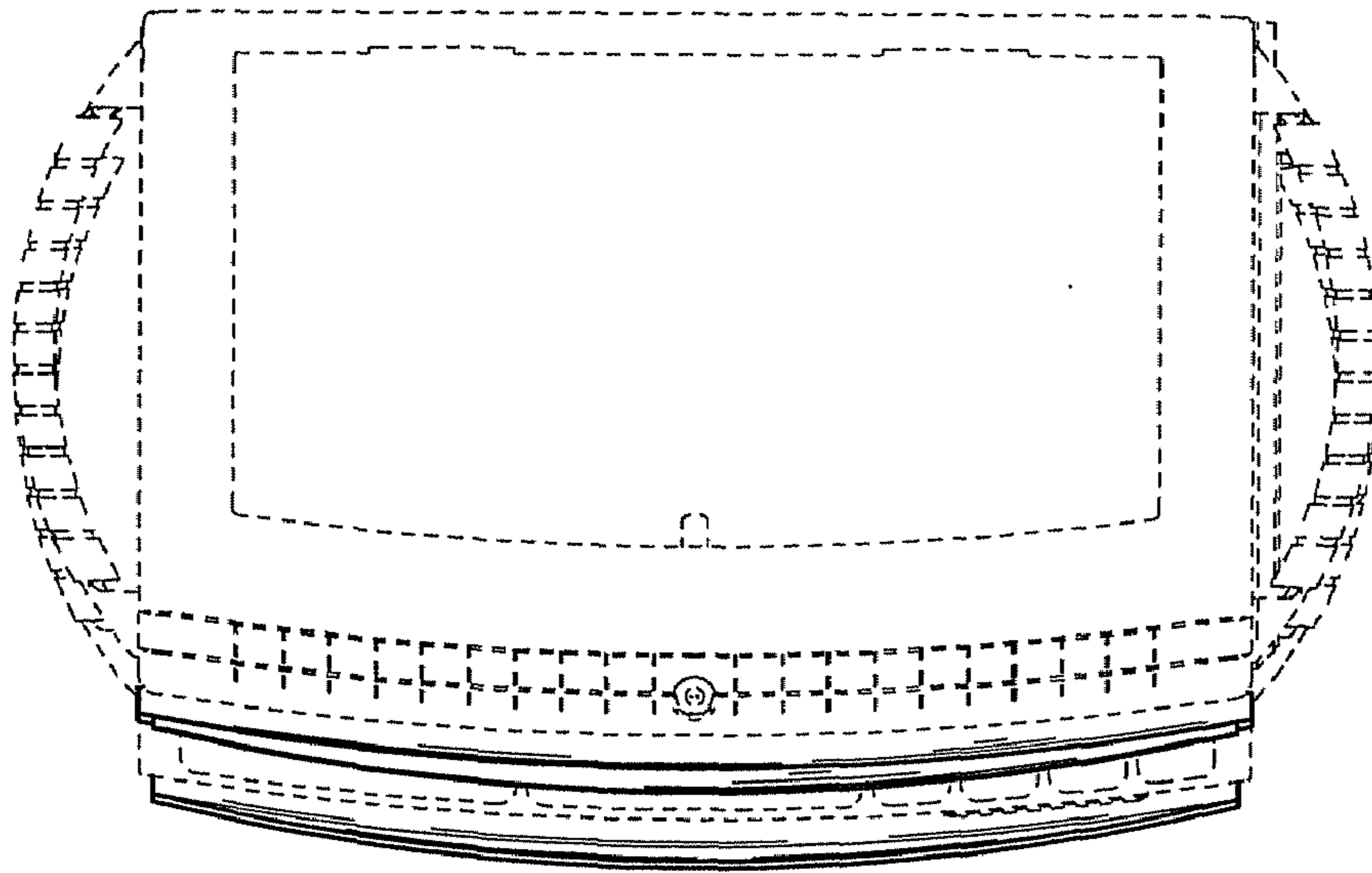


Fig. 6

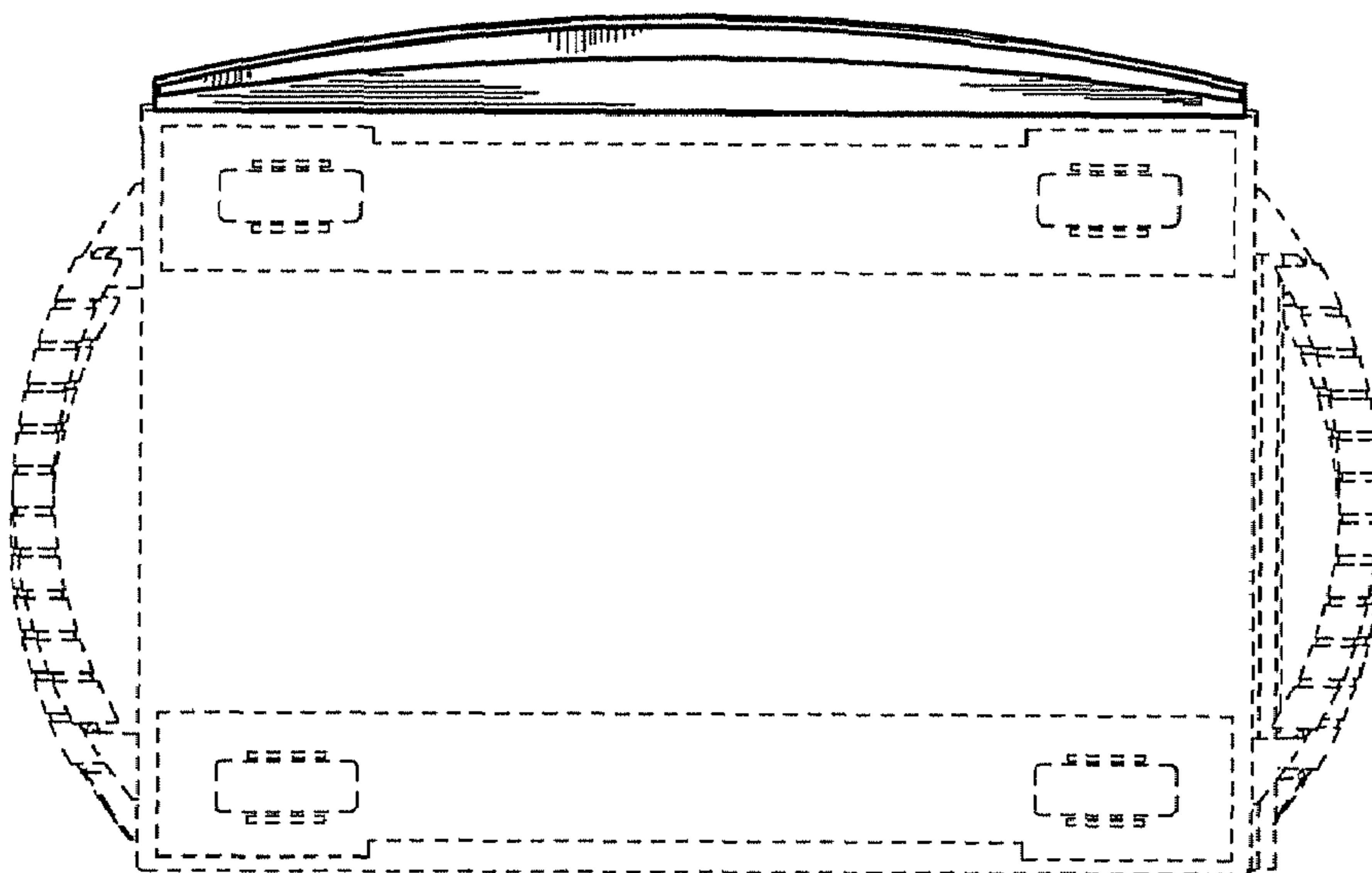


Fig. 7