



US00D589710S

(12) **United States Design Patent**
De La Haye

(10) **Patent No.:** **US D589,710 S**

(45) **Date of Patent:** **** Apr. 7, 2009**

(54) **CHAIR**

(76) **Inventor:** **Cornelis Franciscus De La Haye,**
Stalperstraat 49, 2597 RP Den Haag
(NL)

(**) **Term:** **14 Years**

(21) **Appl. No.:** **29/310,308**

(22) **Filed:** **Aug. 7, 2008**

(30) **Foreign Application Priority Data**

Feb. 26, 2008 (EM) 000885744-0001

(51) **LOC (9) Cl.** **06-01**

(52) **U.S. Cl.** **D6/365; D6/374**

(58) **Field of Classification Search** D6/334-336,
D6/348, 364, 365, 370, 371, 372, 373, 374,
D6/375, 376, 495, 500-502; 297/344.18,
297/440.18, 440.19, 445.1, 446.1, 447.1,
297/447.4, 451.4

See application file for complete search history.

(56) **References Cited**

U.S. PATENT DOCUMENTS

D279,839 S *	7/1985	Mulhauser	D6/365
D286,954 S *	12/1986	Rougier	D6/374
D314,284 S *	2/1991	Cohen	D6/348
5,040,847 A *	8/1991	Nguyen	297/447.1
D332,530 S *	1/1993	Nguyen	D6/370
D334,488 S *	4/1993	Gehry	D6/369
D344,191 S *	2/1994	Gehry	D6/369
D385,710 S *	11/1997	Beck	D6/374
D522,264 S *	6/2006	Dekker et al.	D6/368

D552,896 S * 10/2007 Tseng D6/495

* cited by examiner

Primary Examiner—Mimosa De

(74) *Attorney, Agent, or Firm*—Abelman, Frayne & Schwab

(57) **CLAIM**

The ornamental design for a chair, as shown and described.

DESCRIPTION

FIG. 1 is a front and left side perspective view of a first embodiment of the chair of my new design,

FIG. 2 is a top plan view thereof,

FIG. 3 is a front elevation view thereof,

FIG. 4 is a right side elevation view thereof, the left side elevation is the mirror image of the right side elevation view,

FIG. 5 is a rear elevation view thereof,

FIG. 6 is a bottom plan view thereof,

FIG. 7 is a rear and right side perspective view thereof,

FIG. 8 is a front and left side perspective view of a second embodiment of the chair of my new design,

FIG. 9 is a top plan view thereof,

FIG. 10 is a front elevation view thereof,

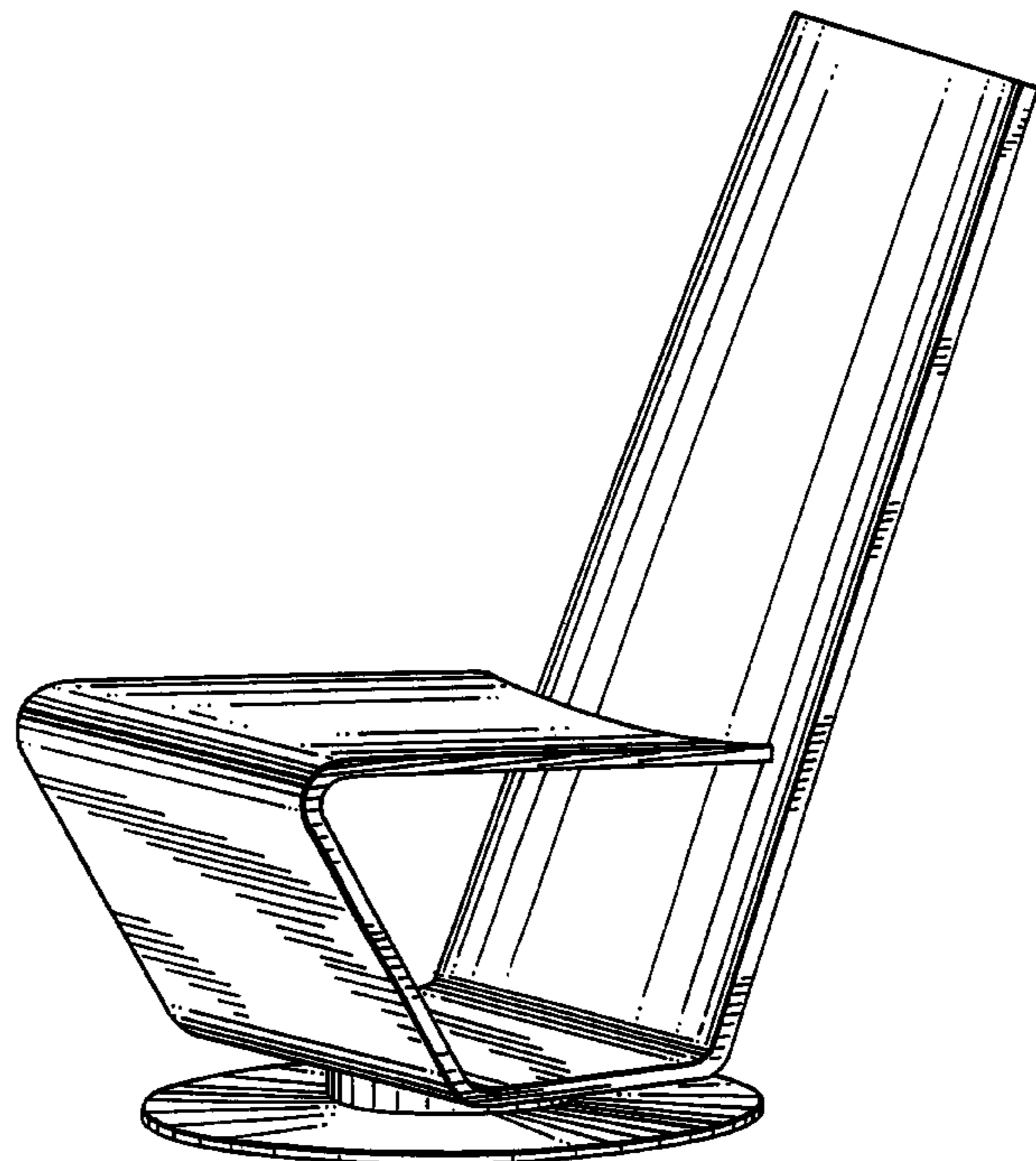
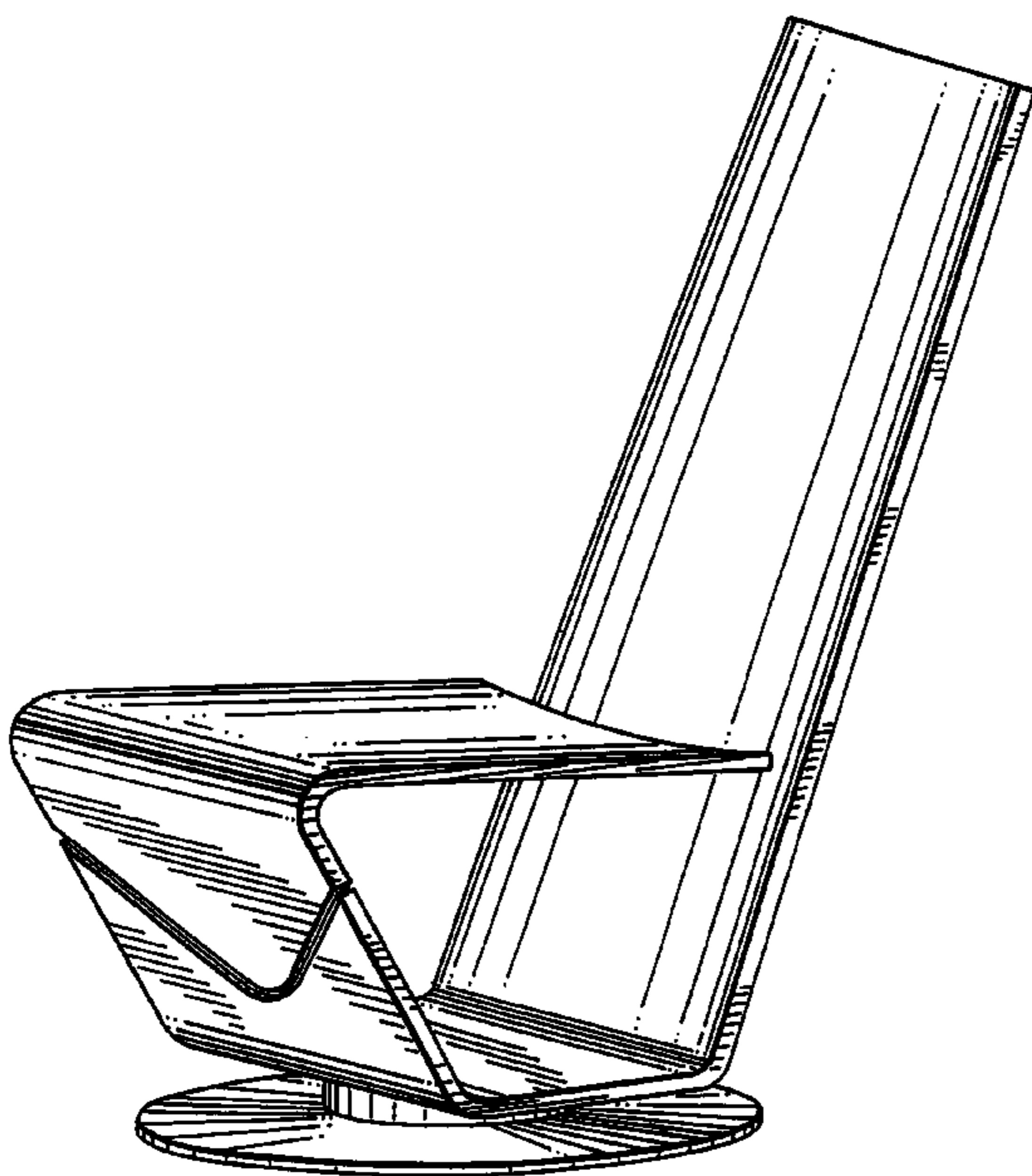
FIG. 11 is a right side elevation view thereof, the left side elevation is the mirror image of the right side elevation view,

FIG. 12 is a rear elevation view thereof,

FIG. 13 is a bottom plan view thereof; and,

FIG. 14 is a rear and right side perspective view thereof.

1 Claim, 8 Drawing Sheets



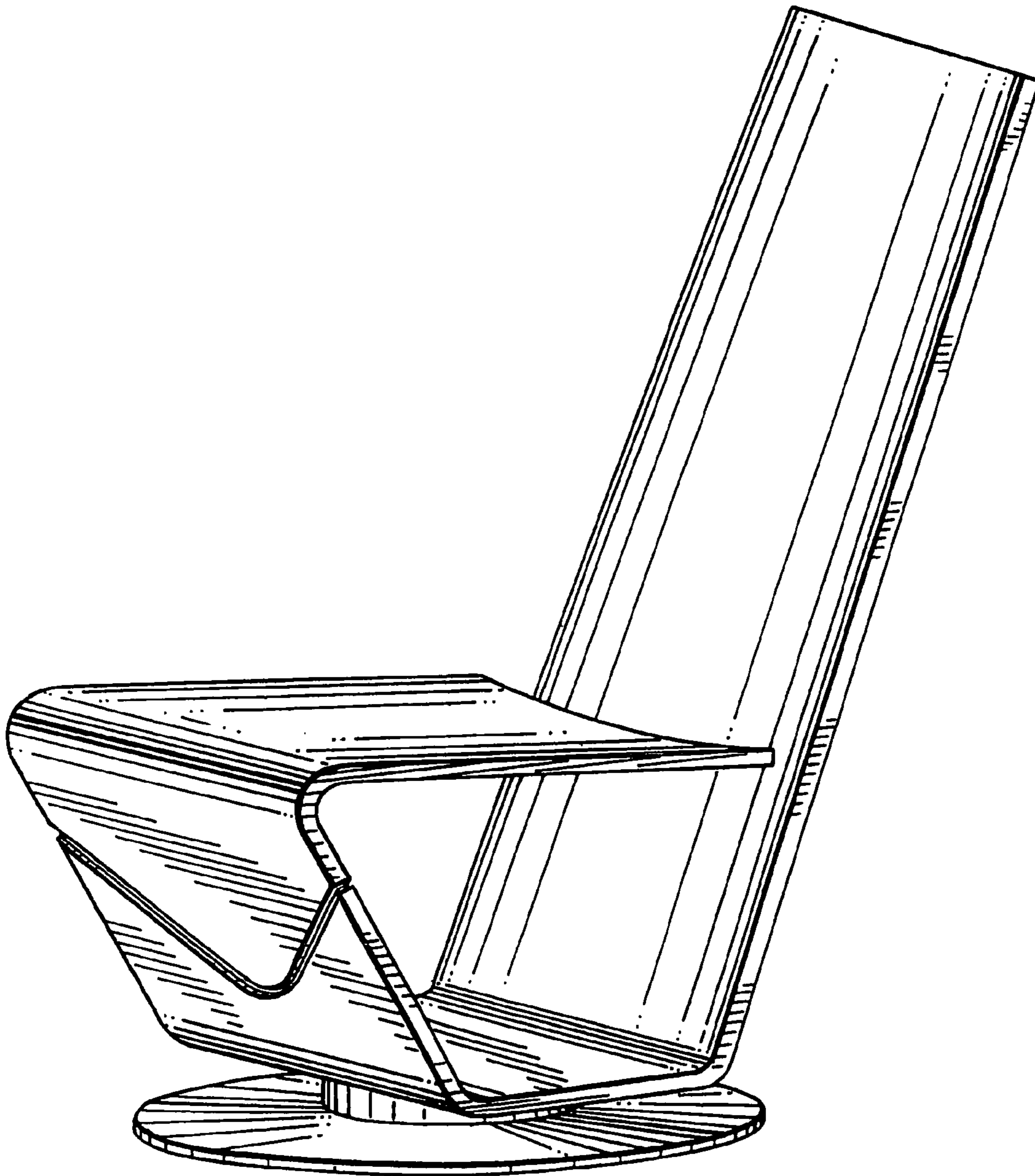


FIG. 1

FIG. 3

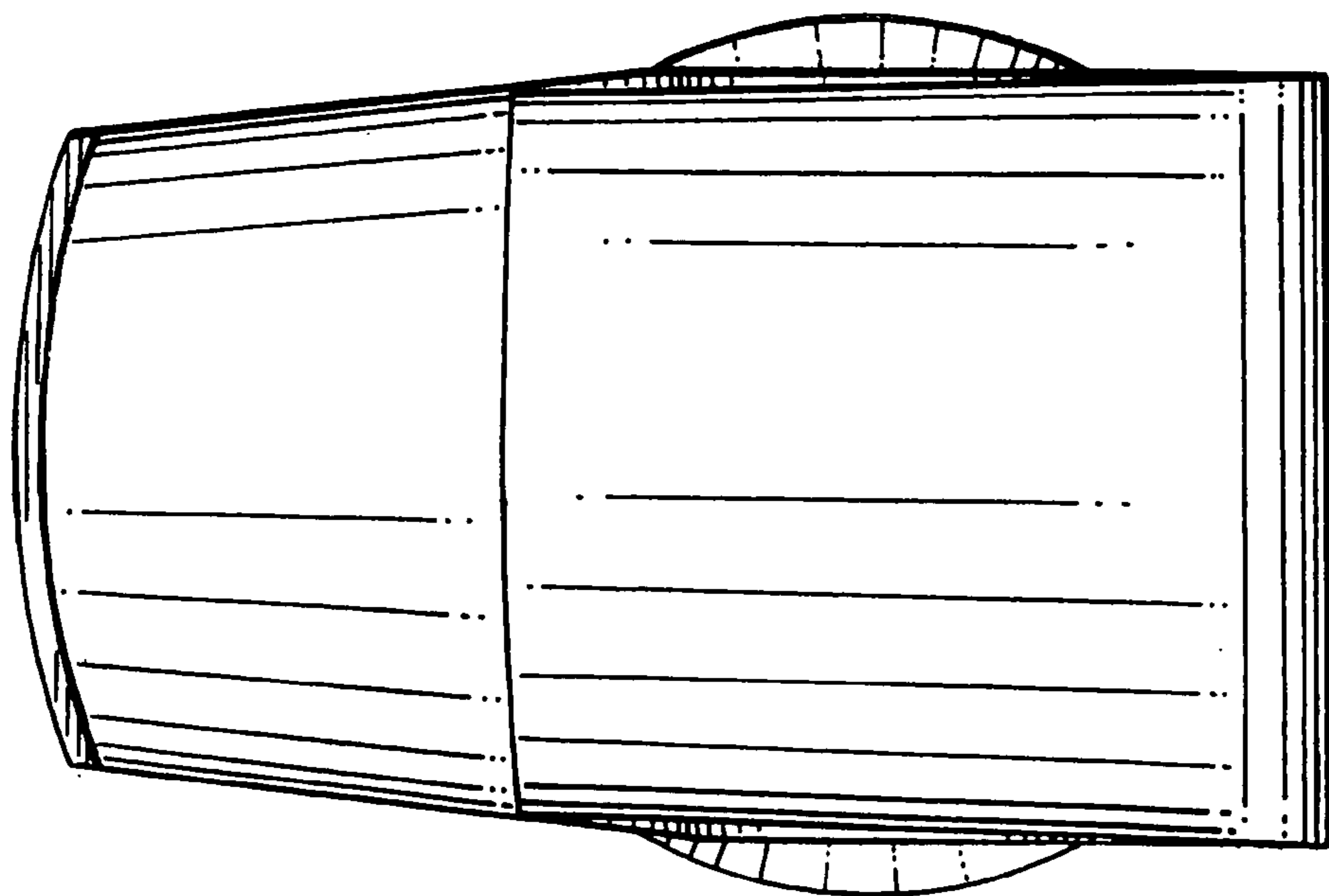
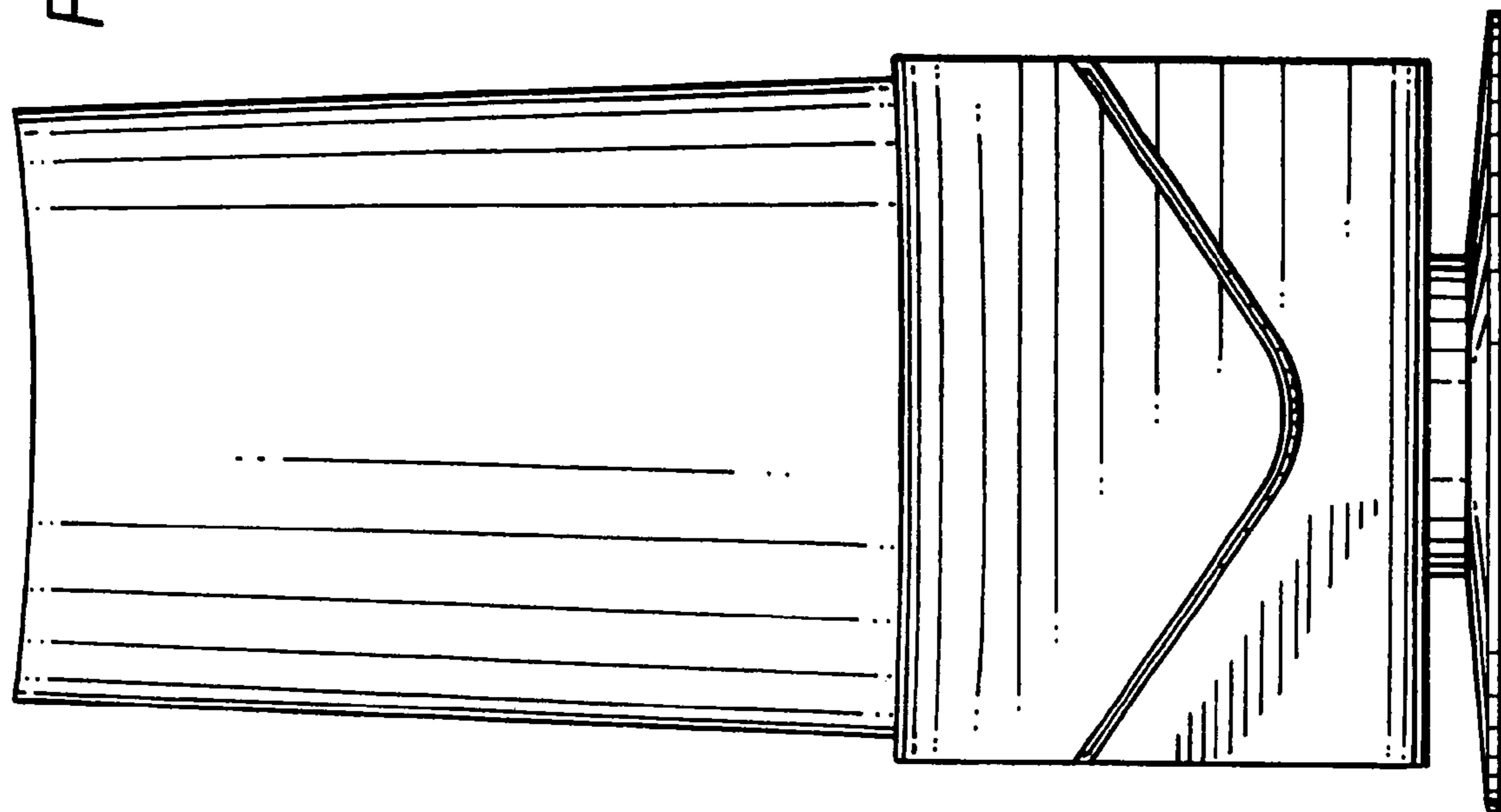


FIG. 2

FIG. 5

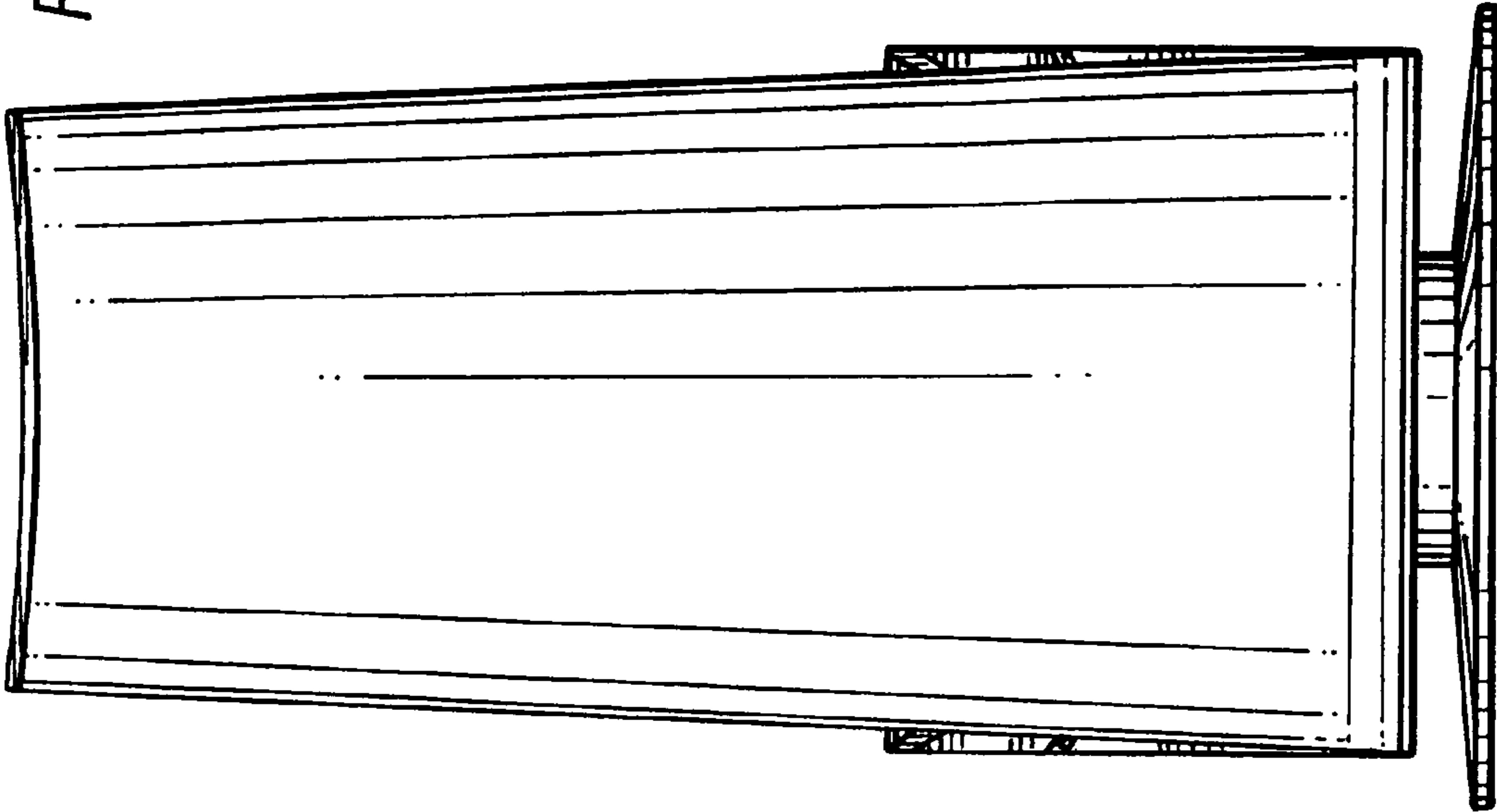


FIG. 4

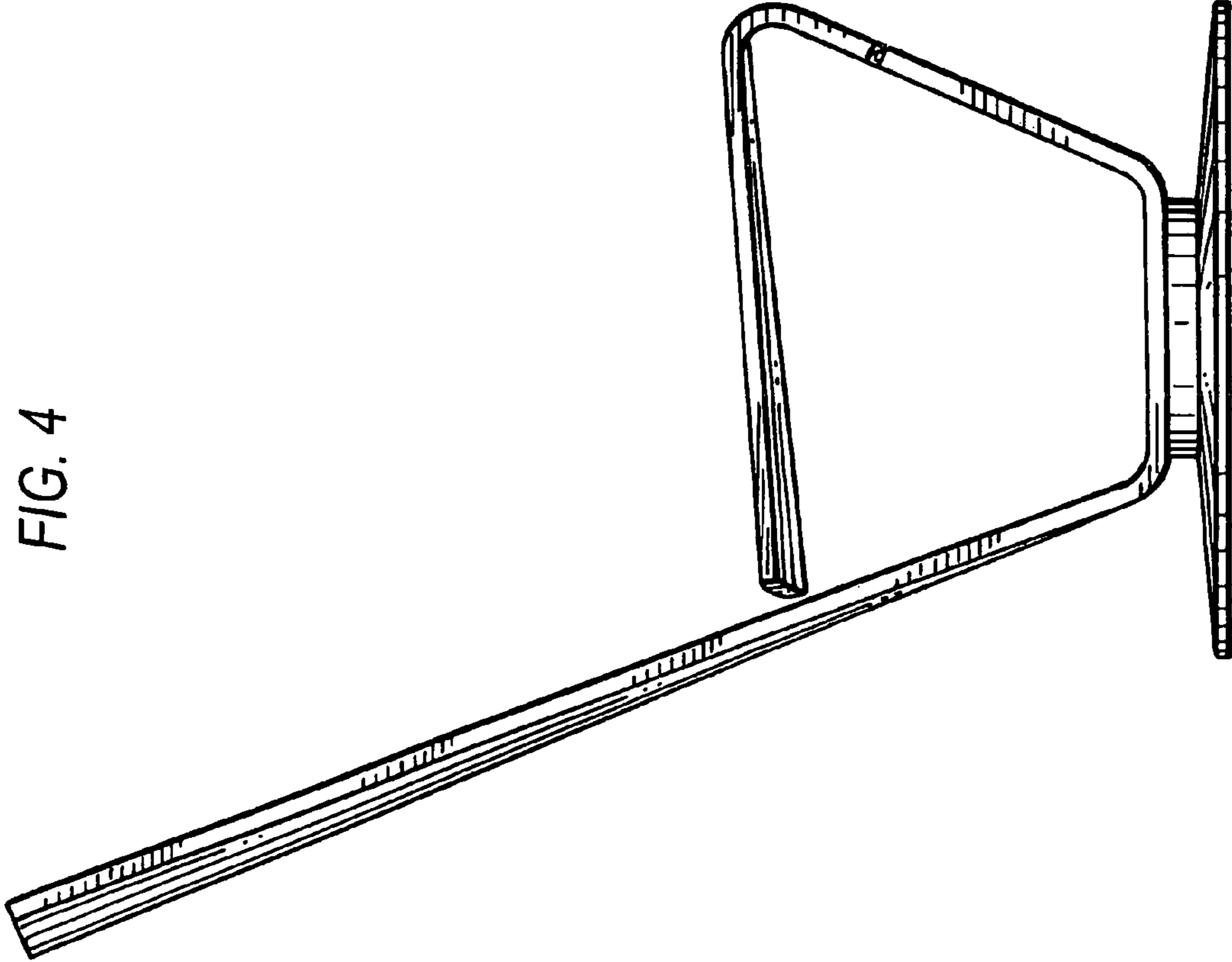


FIG. 6

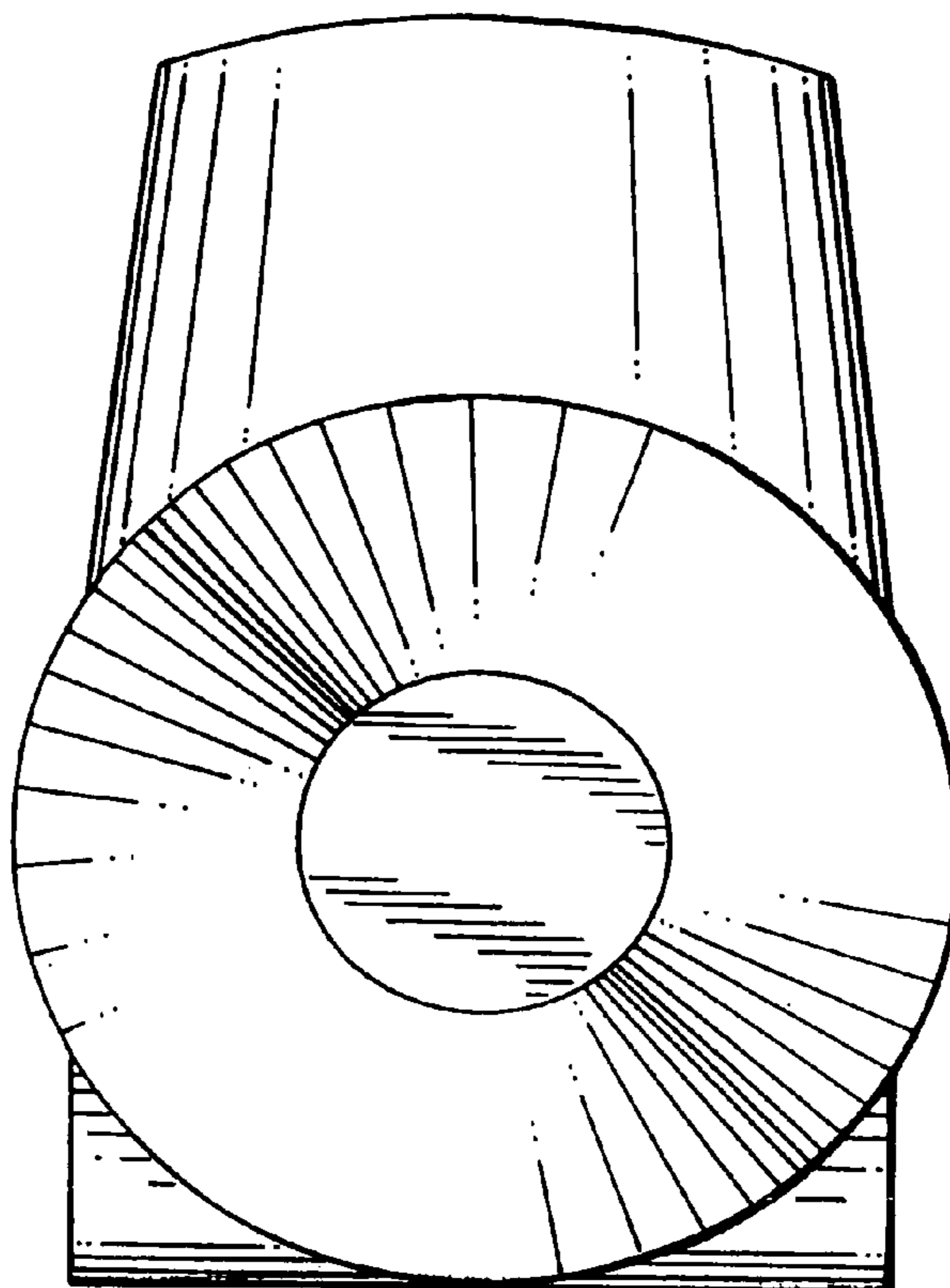
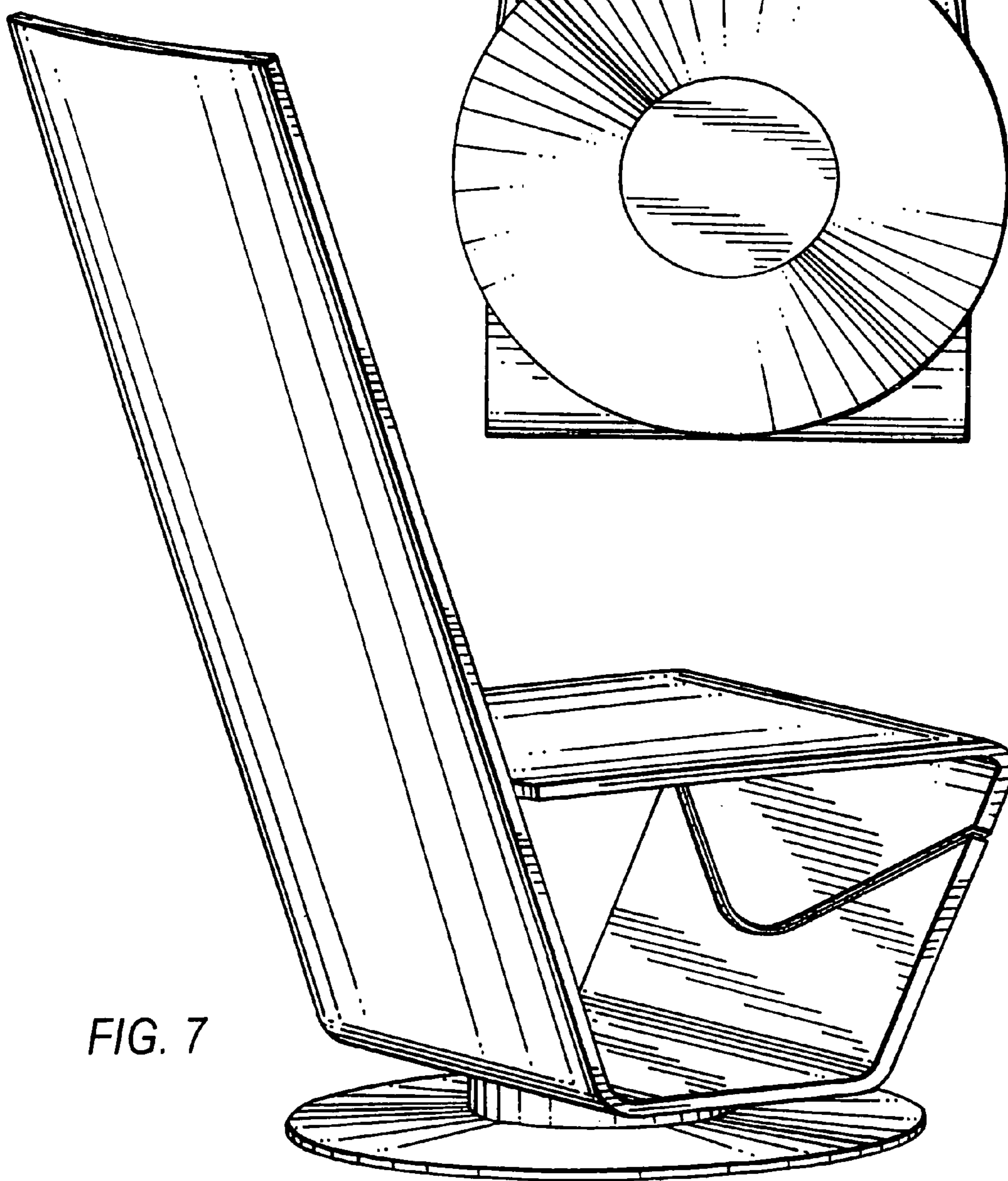


FIG. 7



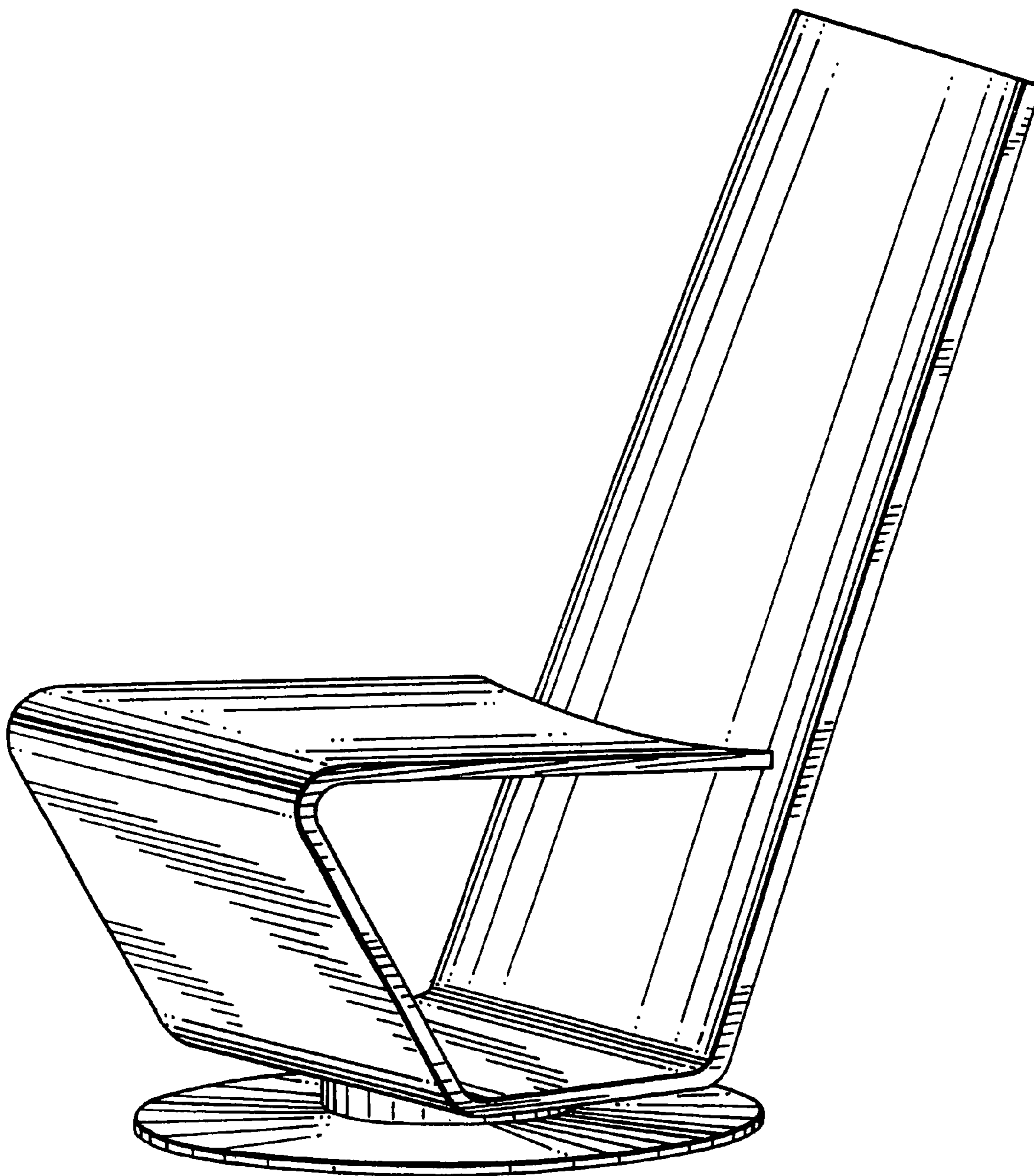


FIG. 8

FIG. 10

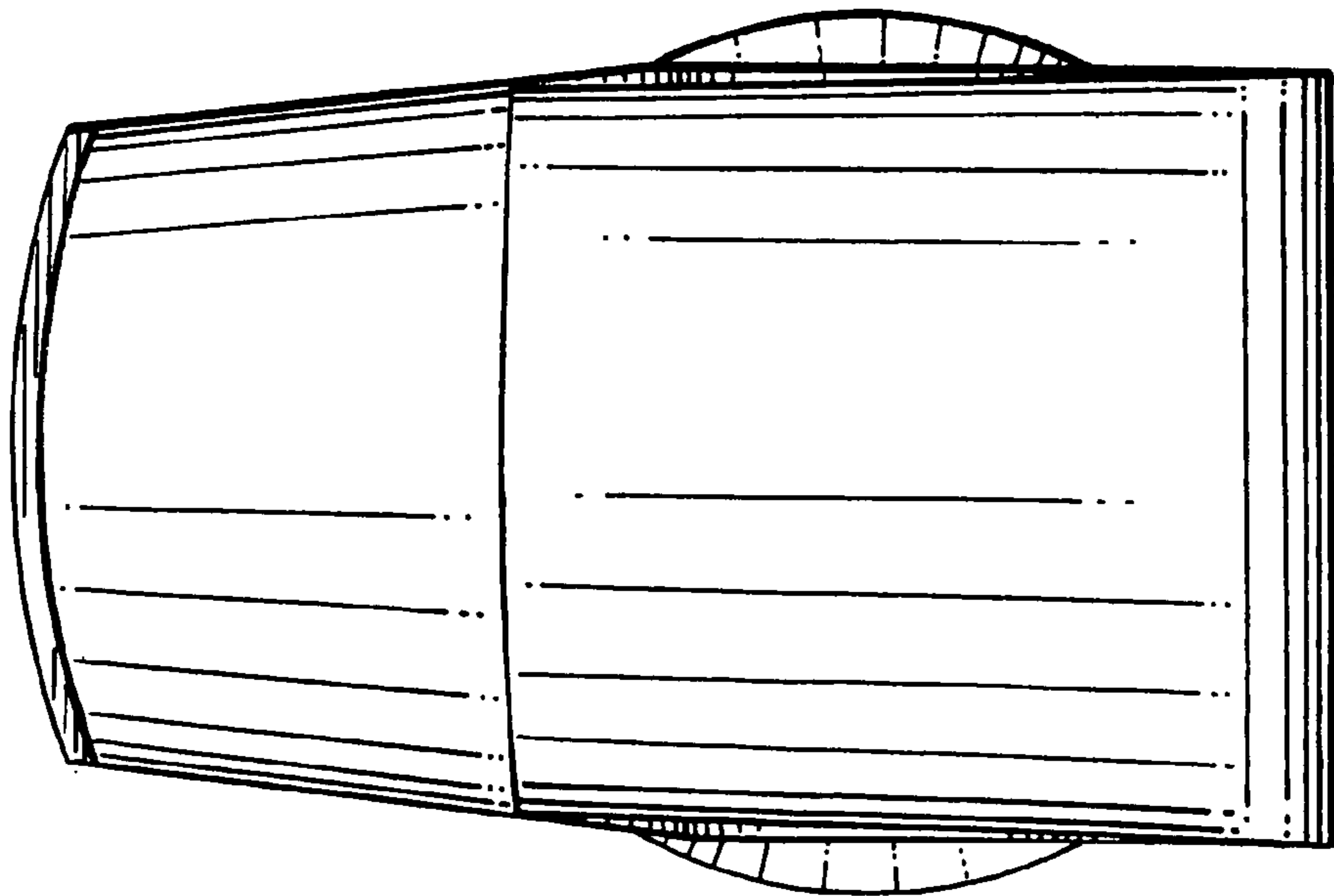
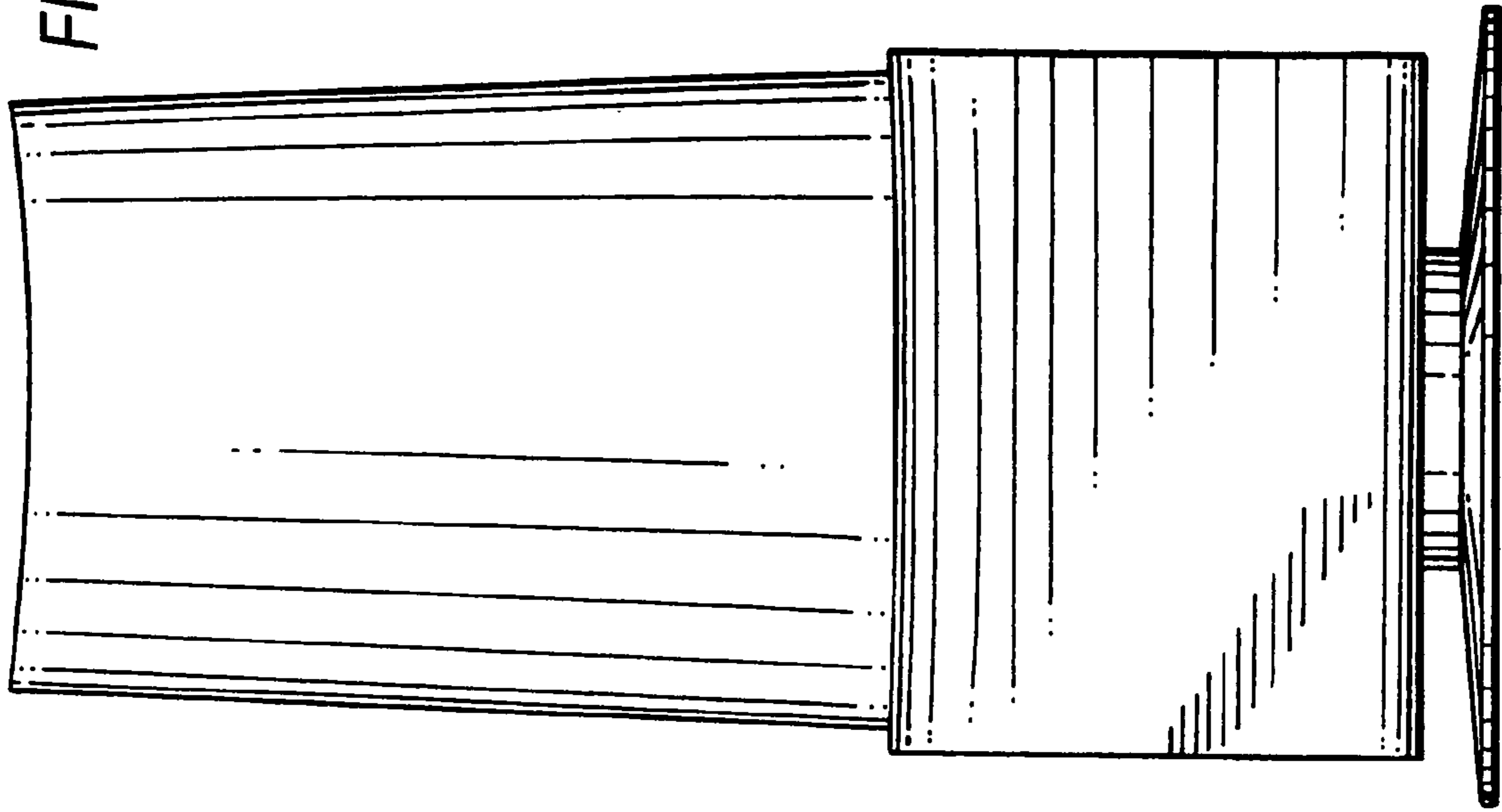


FIG. 9

FIG. 12

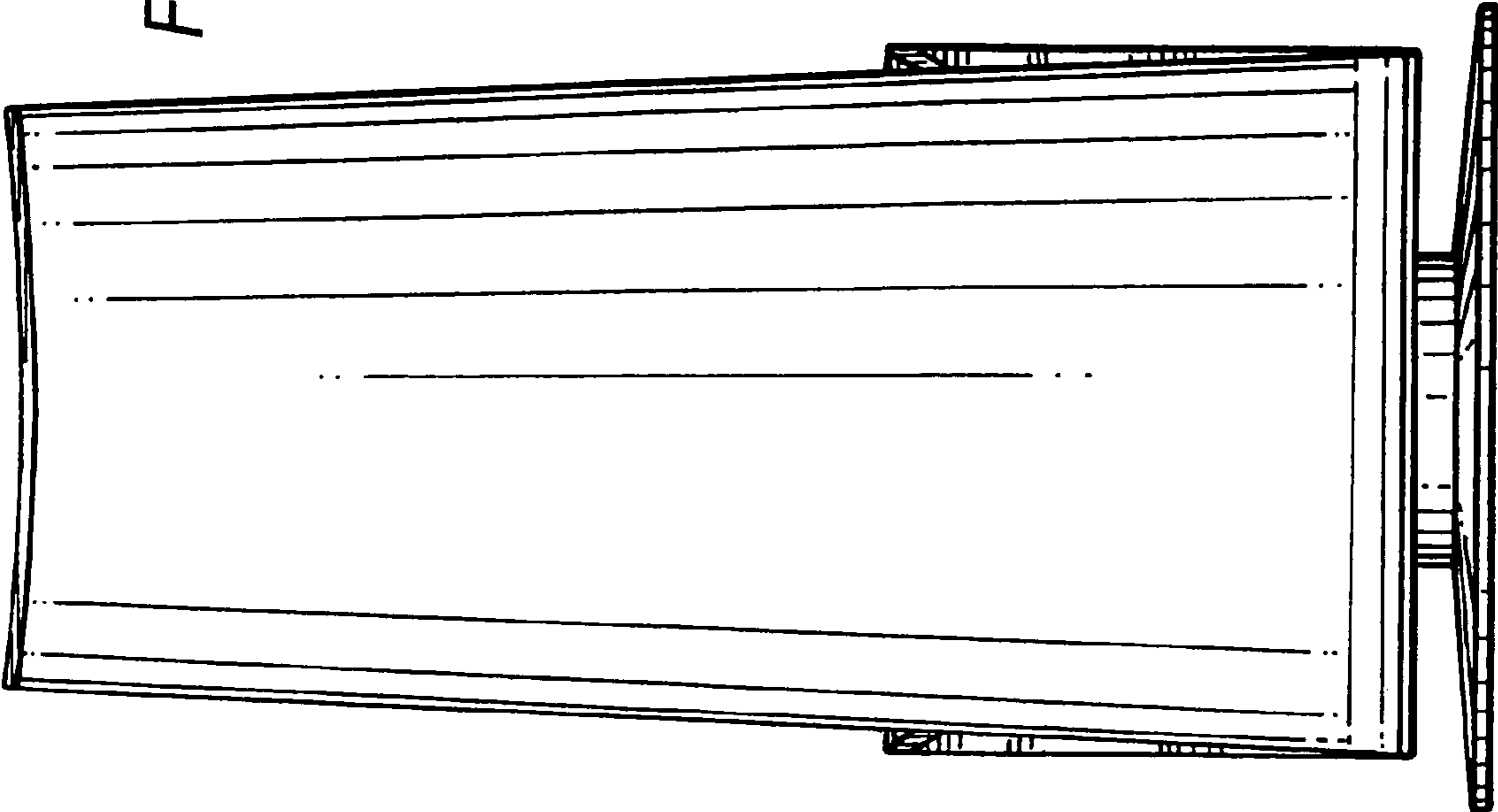


FIG. 11

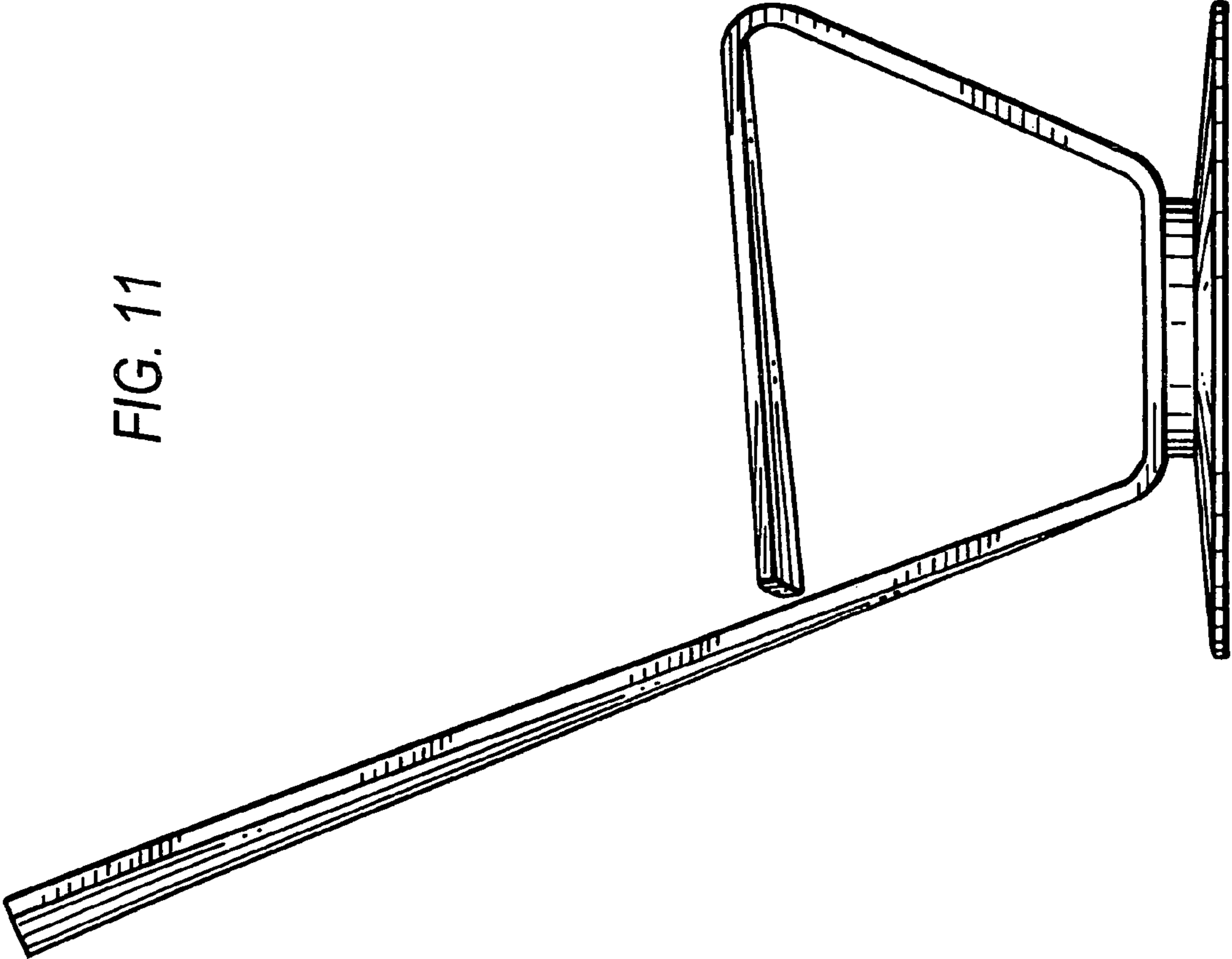


FIG. 13

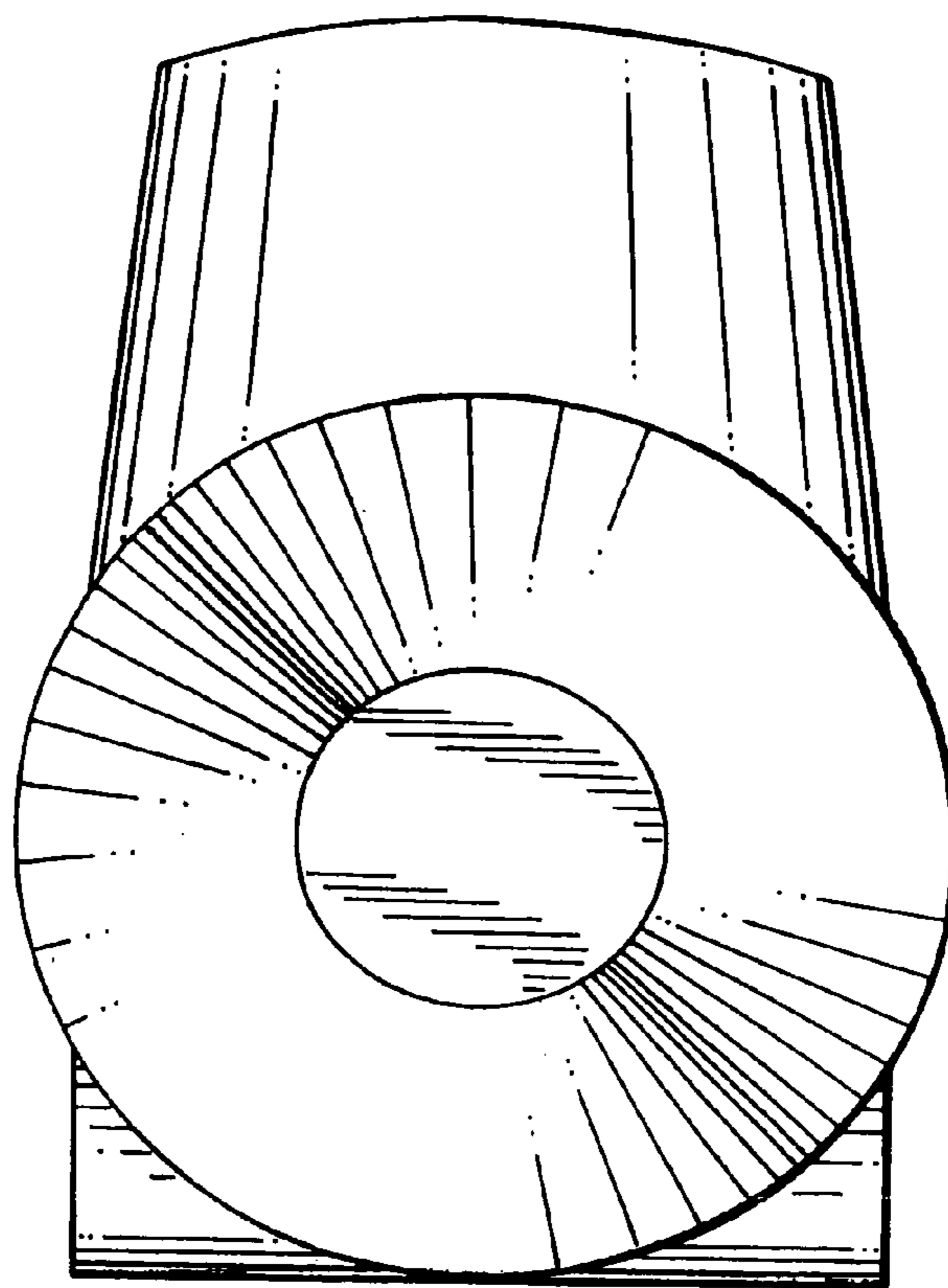
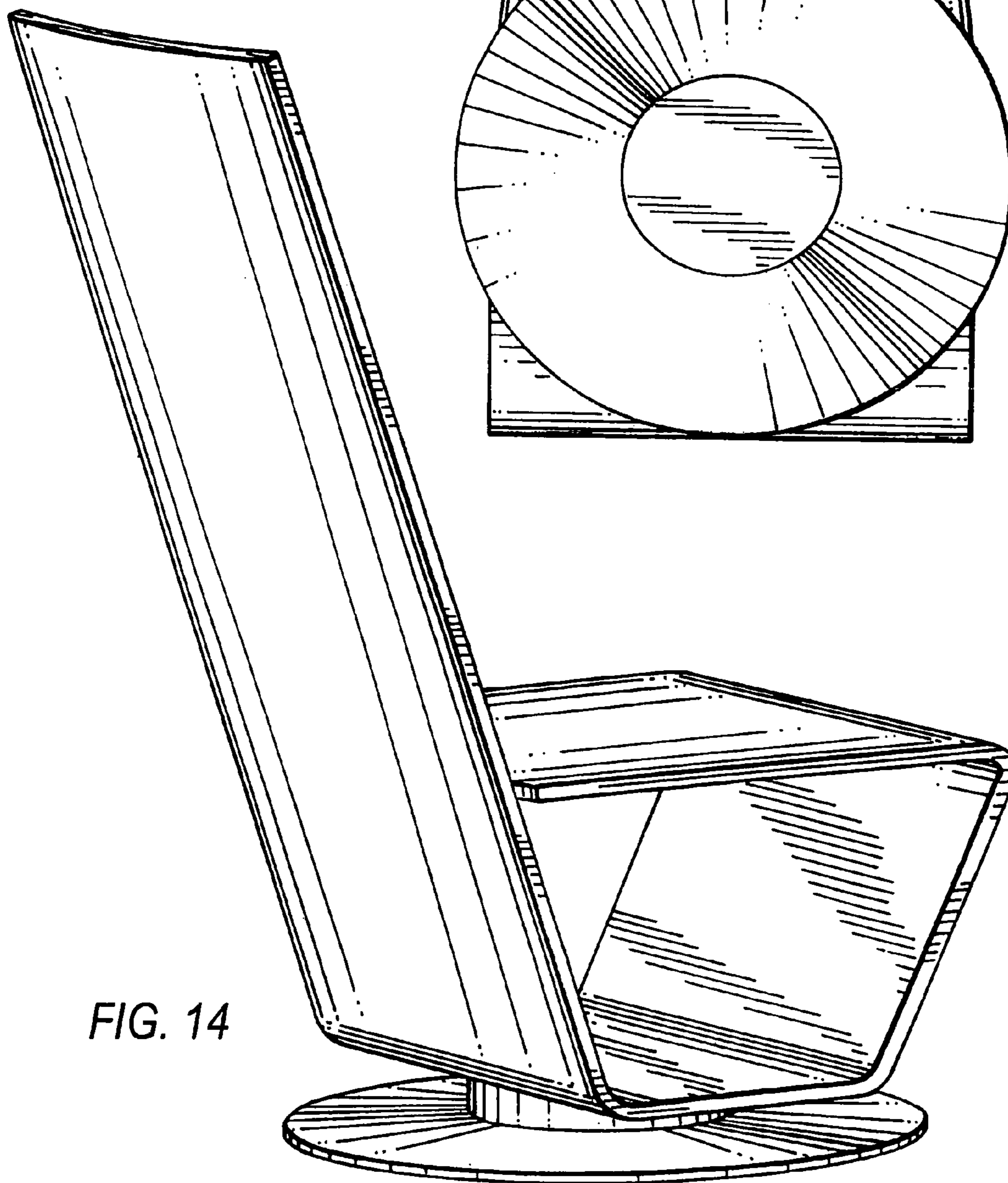


FIG. 14



UNITED STATES PATENT AND TRADEMARK OFFICE
CERTIFICATE OF CORRECTION

PATENT NO. : Des. 589,710 S
APPLICATION NO. : 29/310308
DATED : April 7, 2009
INVENTOR(S) : Cornelis Franciscus De La Haye

Page 1 of 1

It is certified that error appears in the above-identified patent and that said Letters Patent is hereby corrected as shown below:

On the Title Pg Item (76) reads: Inventor: Cornelis Franciscus De La Haye
Stalperstraat 49
2597 RP Den Haag (NL)

On the Title Pg Item (76) should read: Inventor: Cornelis Franciscus De La Haye
Stalpertstraat 49
2597 RP Den Haag (NL)

Signed and Sealed this

Twenty-seventh Day of October, 2009



David J. Kappos
Director of the United States Patent and Trademark Office