



US00D589709S

(12) **United States Design Patent**
Edwards

(10) **Patent No.:** **US D589,709 S**
(45) **Date of Patent:** **** Apr. 7, 2009**

(54) **BOOT VALET**

D506,076 S * 6/2005 Weisgerber D6/317
D526,131 S * 8/2006 McGowan D6/317

(75) Inventor: **Gavin Edwards**, 101 NW. Olinka Pass,
Bentonville, AR (US) 72712

* cited by examiner

(73) Assignee: **Gavin Edwards**, Bentonville, AR (US)

Primary Examiner—Stella M Reid

Assistant Examiner—Shanda C Hill

(**) Term: **14 Years**

(74) *Attorney, Agent, or Firm*—Keisling, Pieper & Scott,
PLC; Meredith K. Lowry

(21) Appl. No.: **29/310,145**

(57) **CLAIM**

(22) Filed: **Jul. 28, 2008**

The ornamental design for a boot valet, as shown and described.

(51) **LOC (9) Cl.** **06-08**

(52) **U.S. Cl.** **D6/317**

(58) **Field of Classification Search** D6/315,
D6/317, 318, 319, 323, 263; 211/1, 13.1,
211/32, 85.3, 116, 119, 123; 223/85-98;
D8/367, 370, 373

DESCRIPTION

See application file for complete search history.

FIG. 1 is a front elevational view of a boot valet showing my new design;

FIG. 2 is a left side elevational view thereof;

FIG. 3 is a right side elevational view thereof;

FIG. 4 is top plan view thereof;

FIG. 5 is bottom plan view thereof;

FIG. 6 is rear elevational view thereof;

FIG. 7 is a front perspective view thereof; and,

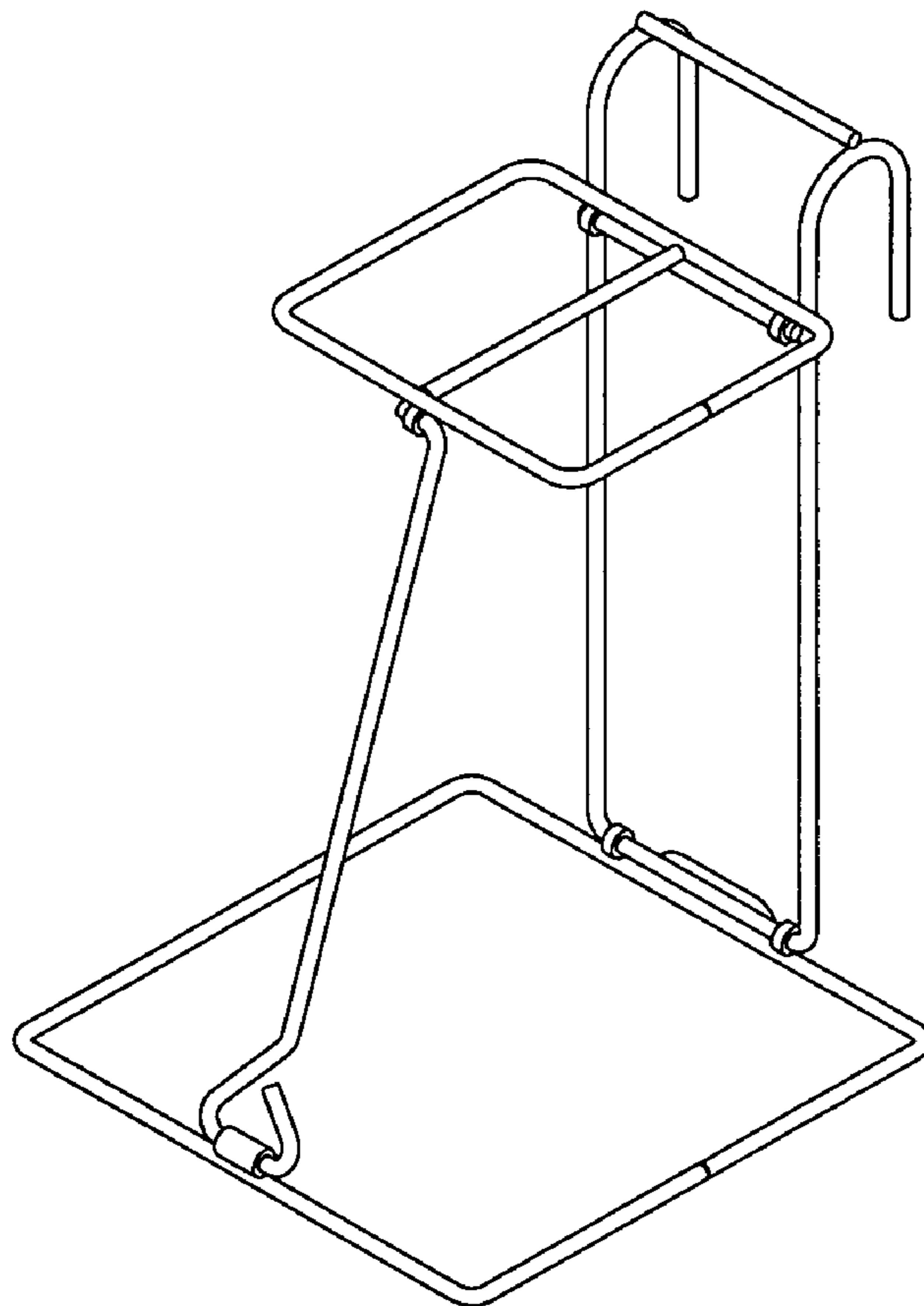
FIG. 8 is rear perspective view thereof.

(56) **References Cited**

U.S. PATENT DOCUMENTS

2,777,582	A *	1/1957	Van Dusen	211/119
D201,112	S *	5/1965	Stein	D6/315
3,370,715	A *	2/1968	Kolozsvari	211/116
D228,997	S *	11/1973	Wahl	D6/317
D246,218	S *	11/1977	Goodman	D6/317
D428,711	S *	8/2000	Rowley	D6/317

1 Claim, 2 Drawing Sheets



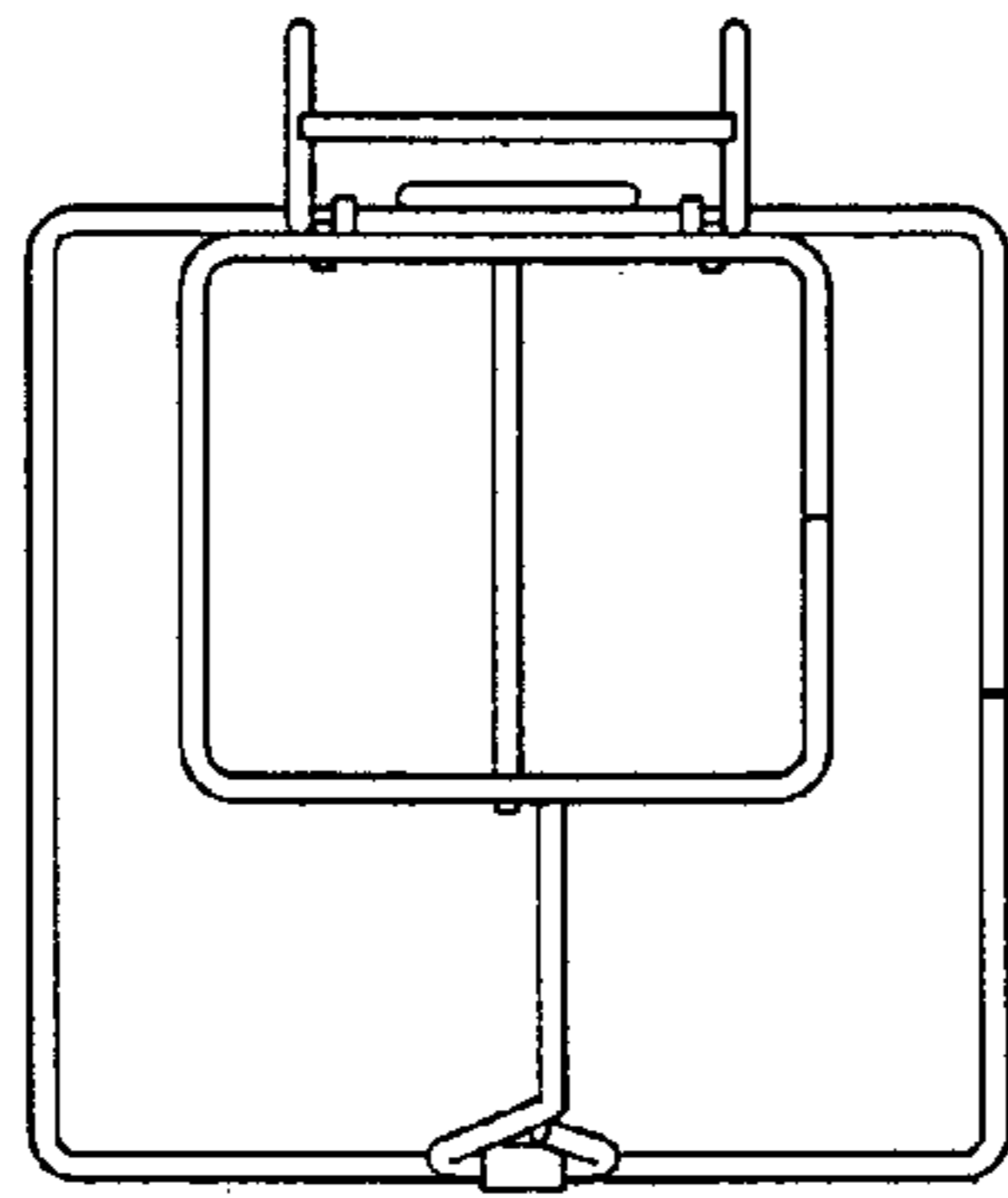


FIG. 4

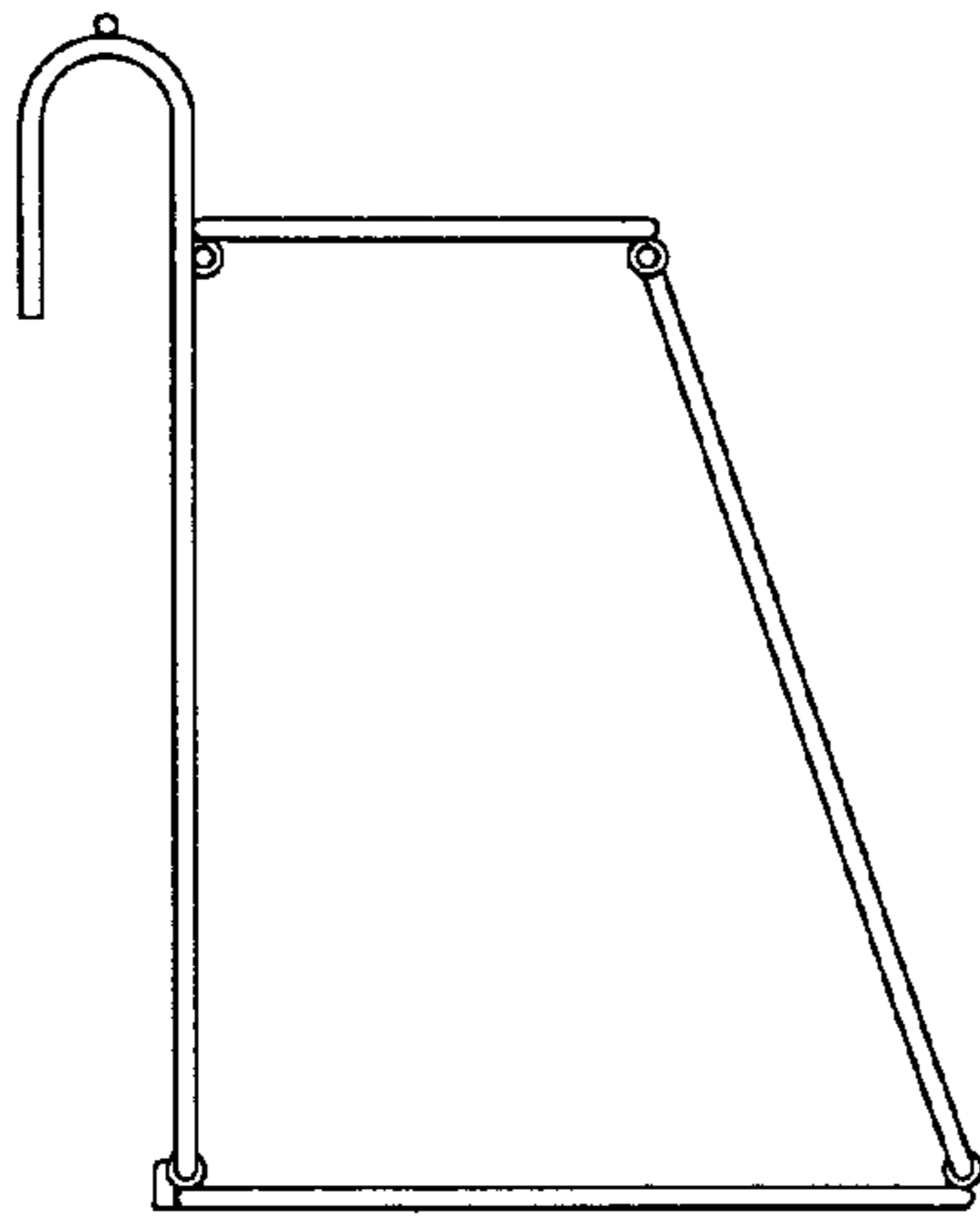


FIG. 2

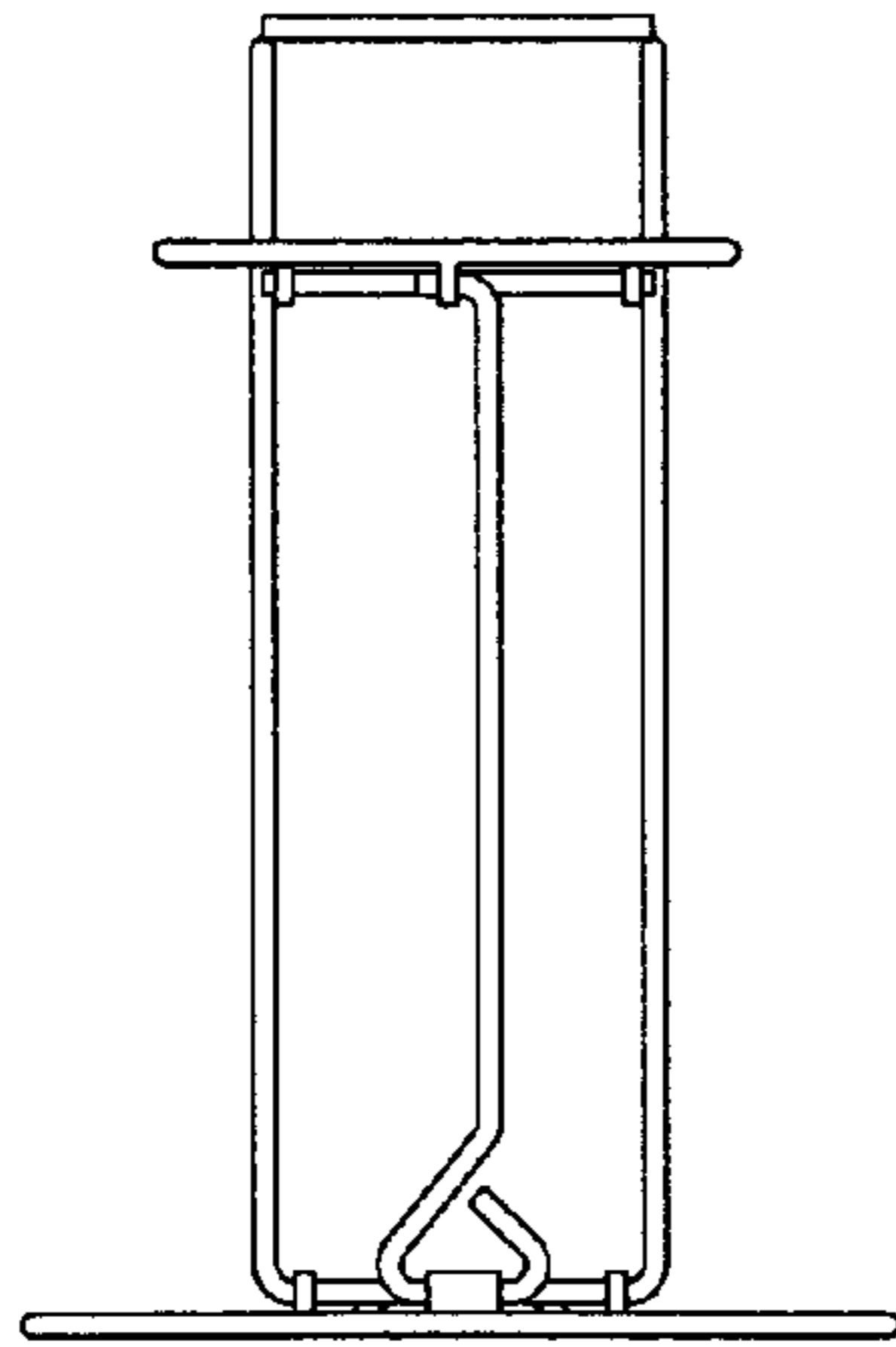


FIG. 1

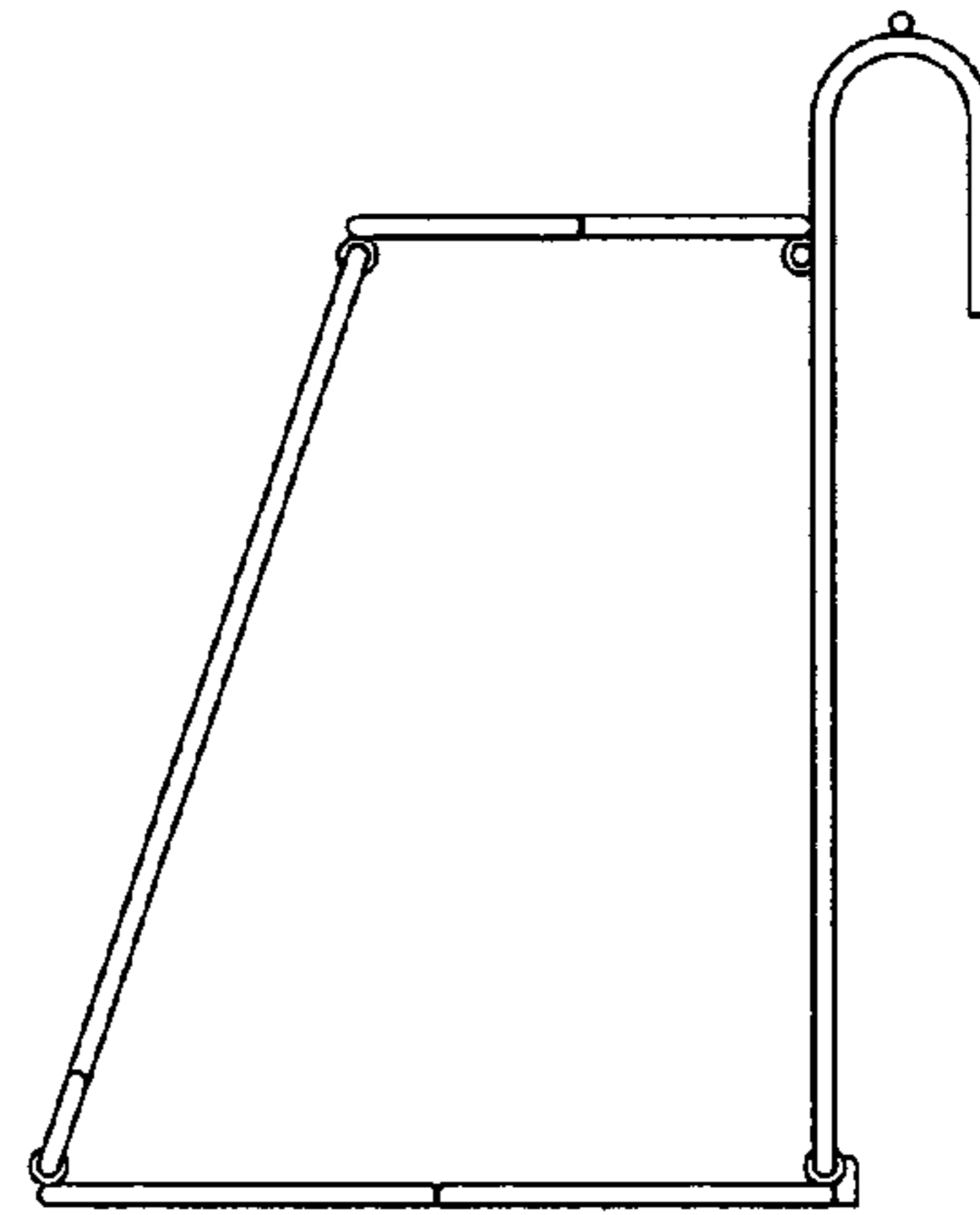


FIG. 3

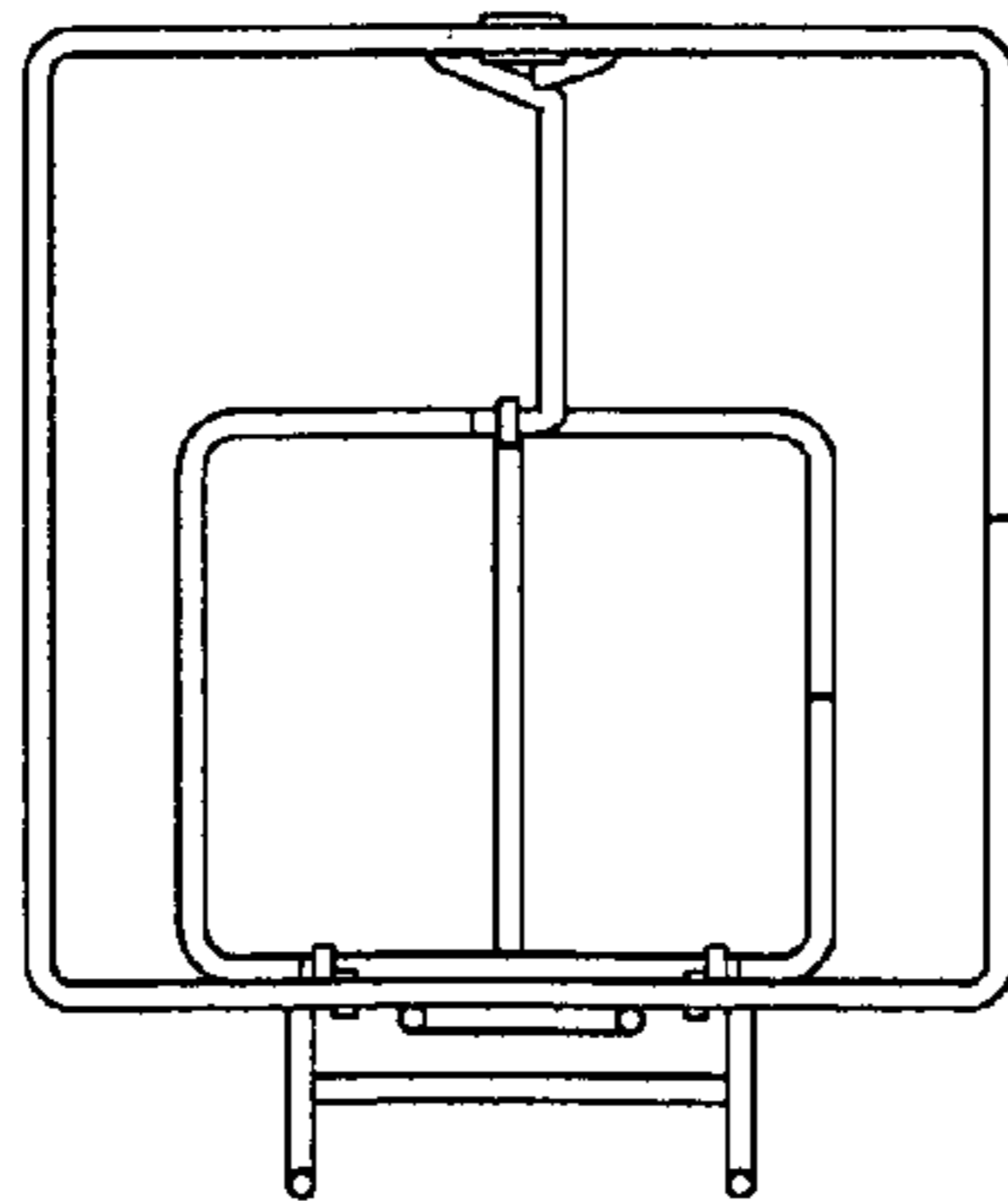


FIG. 5

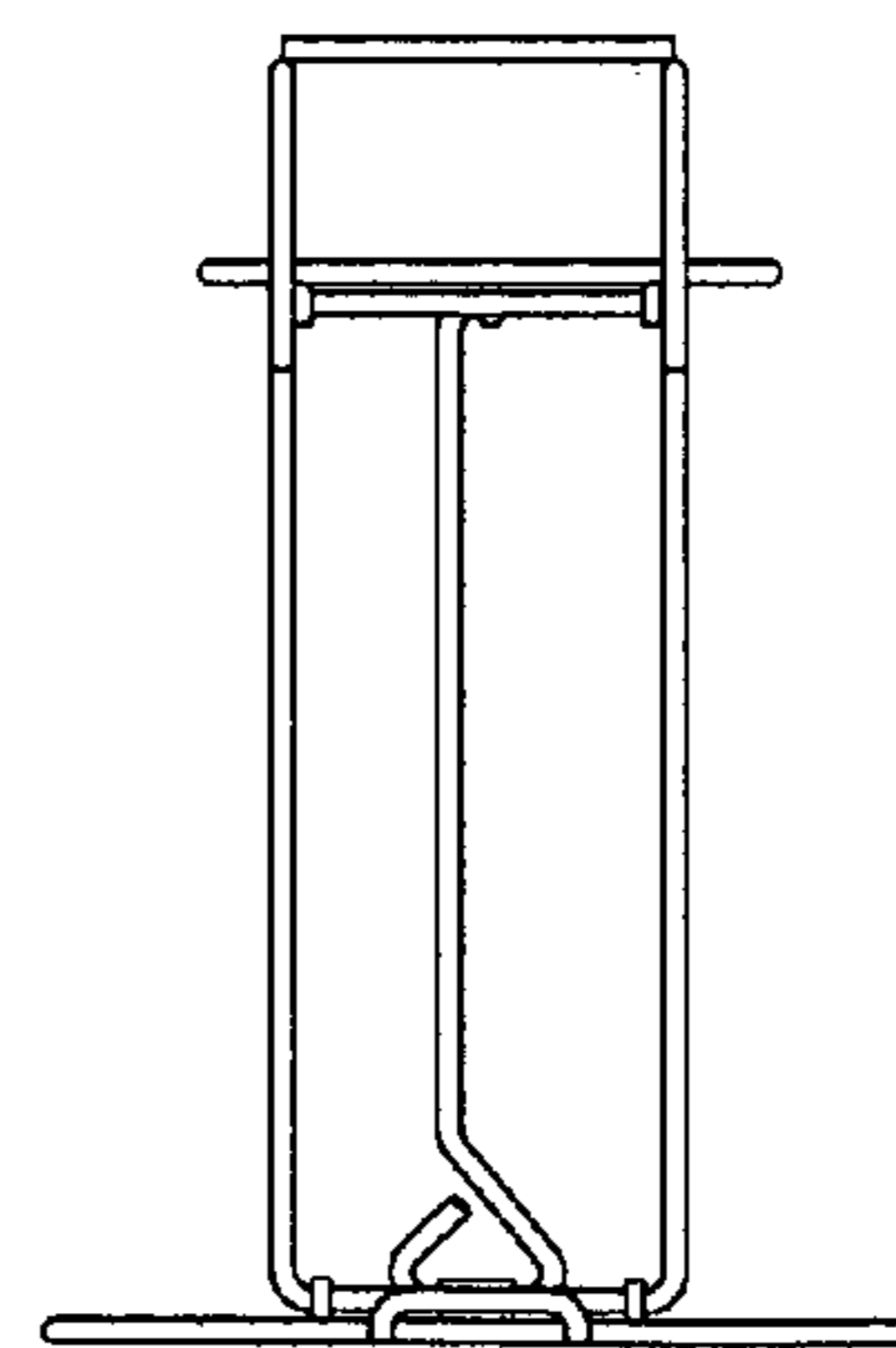


FIG. 6

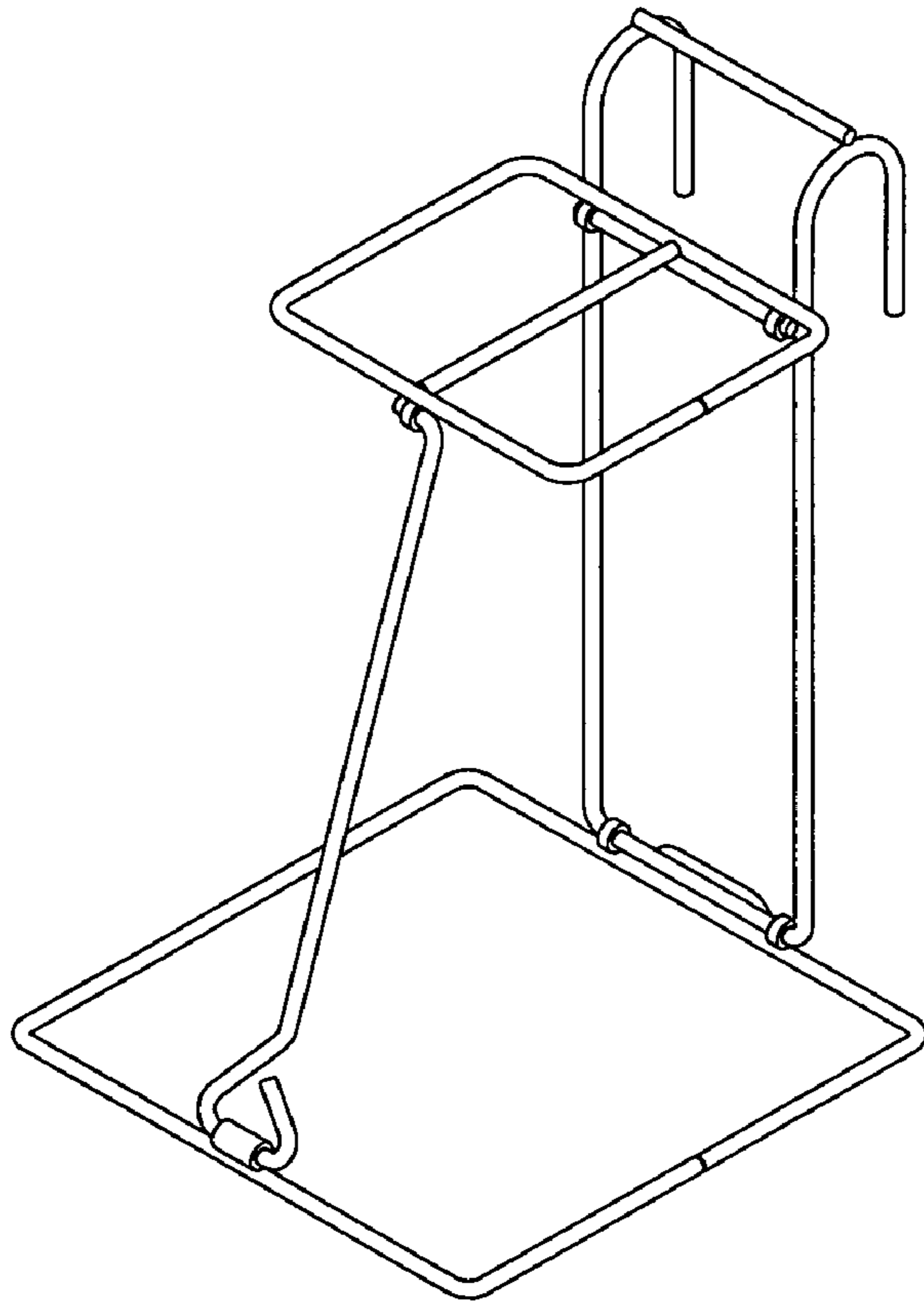


FIG. 7

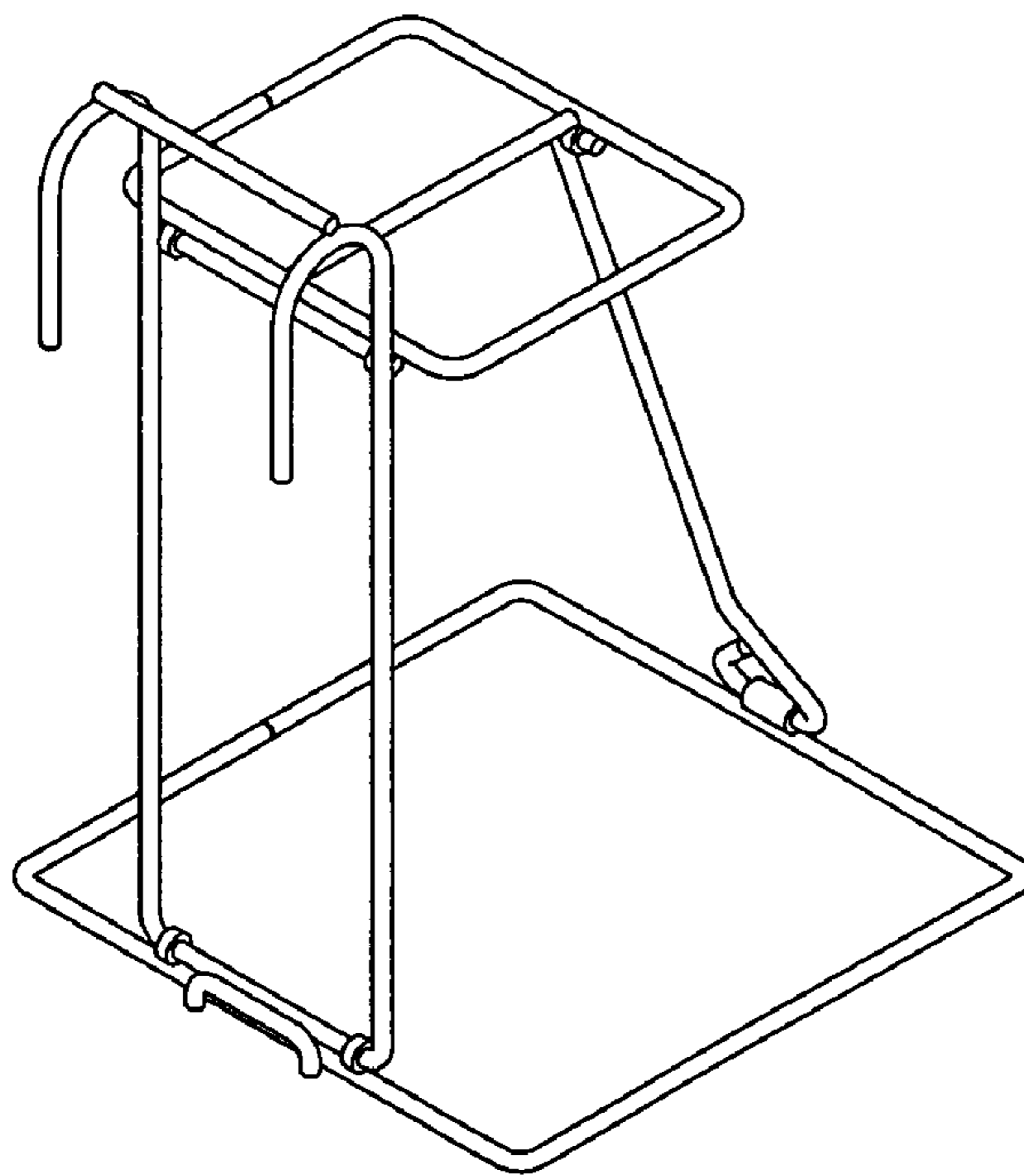


FIG. 8