



US00D589708S

(12) **United States Design Patent**
Marek

(10) **Patent No.:** **US D589,708 S**

(45) **Date of Patent:** **** Apr. 7, 2009**

(54) **PUZZLE PICTURE FRAME**

(75) Inventor: **Tamara Marek**, Pewaukee, WI (US)

(73) Assignee: **Serendipity Puzzle Company, Inc.**,
Waukesha, WI (US)

(**) Term: **14 Years**

(21) Appl. No.: **29/317,429**

(22) Filed: **Apr. 29, 2008**

(51) **LOC (9) Cl.** **06-07**

(52) **U.S. Cl.** **D6/302**

(58) **Field of Classification Search** D6/302,
D6/300, 301, 476; 40/700, 759, 716, 729,
40/735, 785, 727, 720; D3/270; D8/353;
D11/132

See application file for complete search history.

(56) **References Cited**

U.S. PATENT DOCUMENTS

4,290,530	A *	9/1981	Wooster	211/40
D328,390	S *	8/1992	MacDonald et al.	D3/270
5,367,803	A *	11/1994	Albin	40/759
D396,959	S *	8/1998	Wolff	D6/301
D457,734	S *	5/2002	Chan	D6/301

D461,393	S *	8/2002	Aubert Capella	D8/353
D479,660	S *	9/2003	Vinson	D6/476
D515,969	S *	2/2006	Hines	D11/132
RE40,522	E *	9/2008	Capella	D8/353
2008/0083149	A1 *	4/2008	Zebersky	40/716

* cited by examiner

Primary Examiner—Caron Veynar

Assistant Examiner—Sydney R Buffalow

(74) *Attorney, Agent, or Firm*—Kelly Lowry & Kelley, LLP

(57) **CLAIM**

The ornamental design for a puzzle picture frame, as shown.

DESCRIPTION

FIG. 1 is a front, bottom and right-side perspective view of the puzzle picture frame embodying my new design;

FIG. 2 is a front elevational view thereof;

FIG. 3 is a rear elevational view thereof;

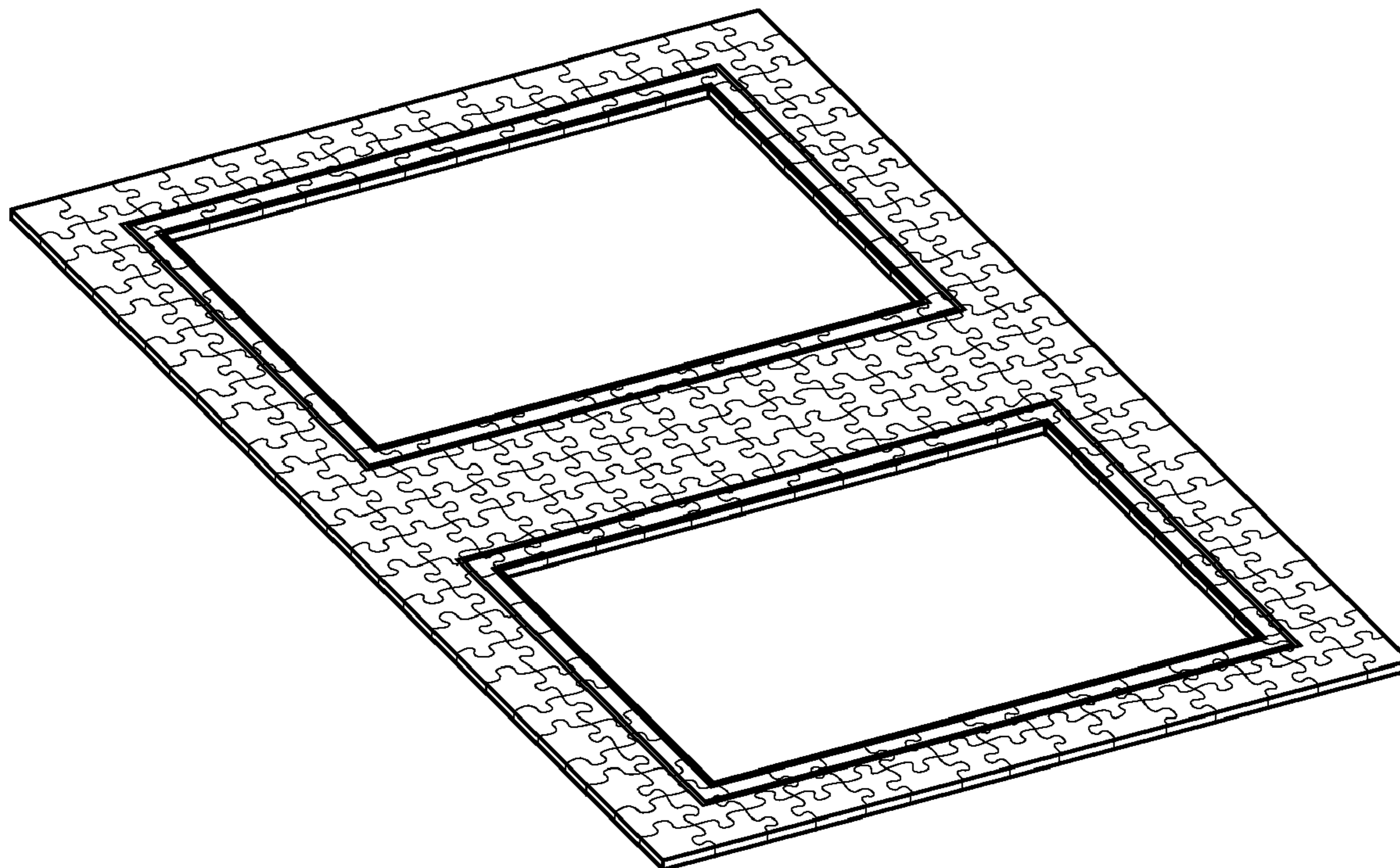
FIG. 4 is a right-side elevational view thereof;

FIG. 5 is a left-side elevational view thereof;

FIG. 6 is a top plan view thereof; and,

FIG. 7 is a bottom plan view thereof.

1 Claim, 2 Drawing Sheets



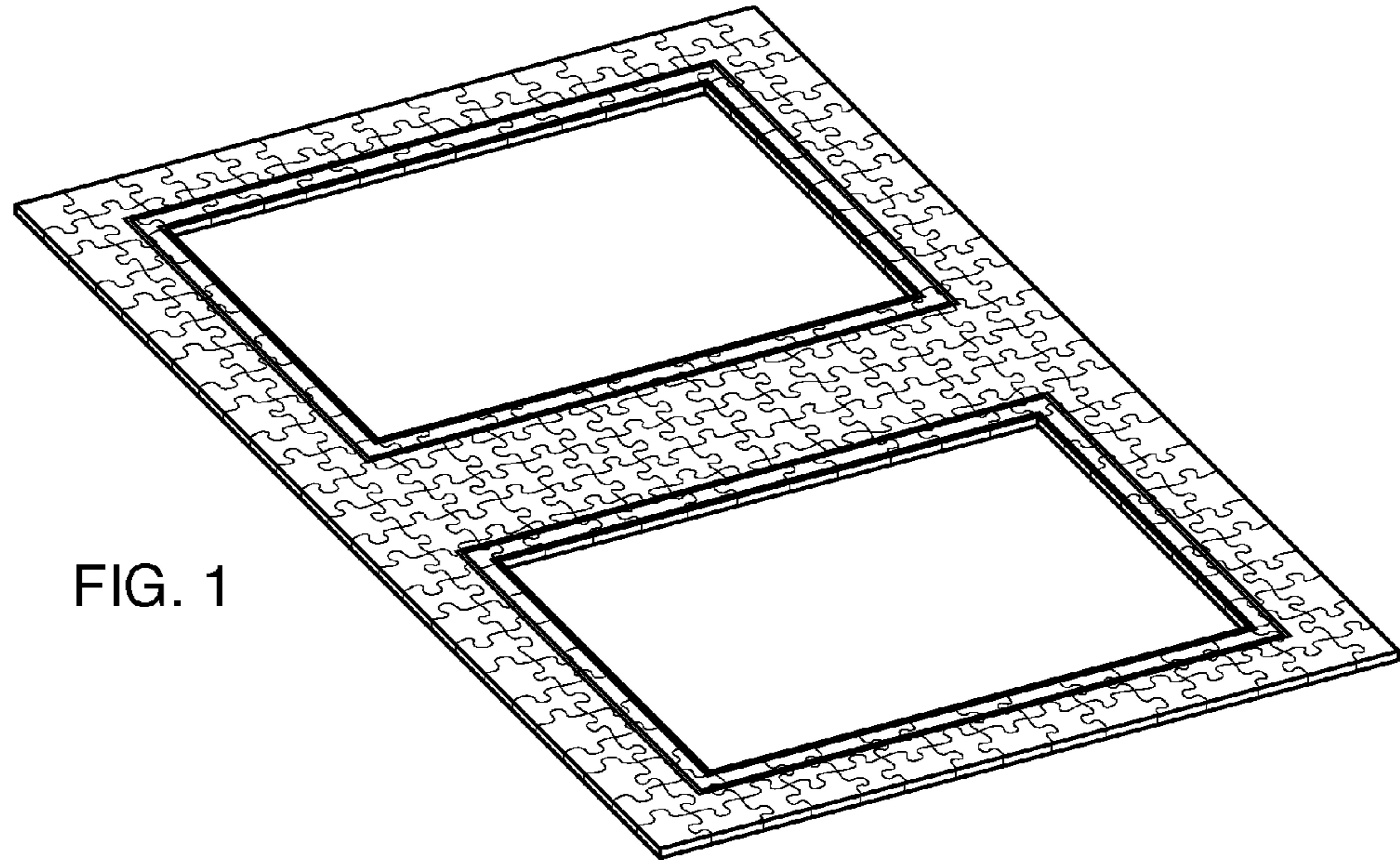


FIG. 1

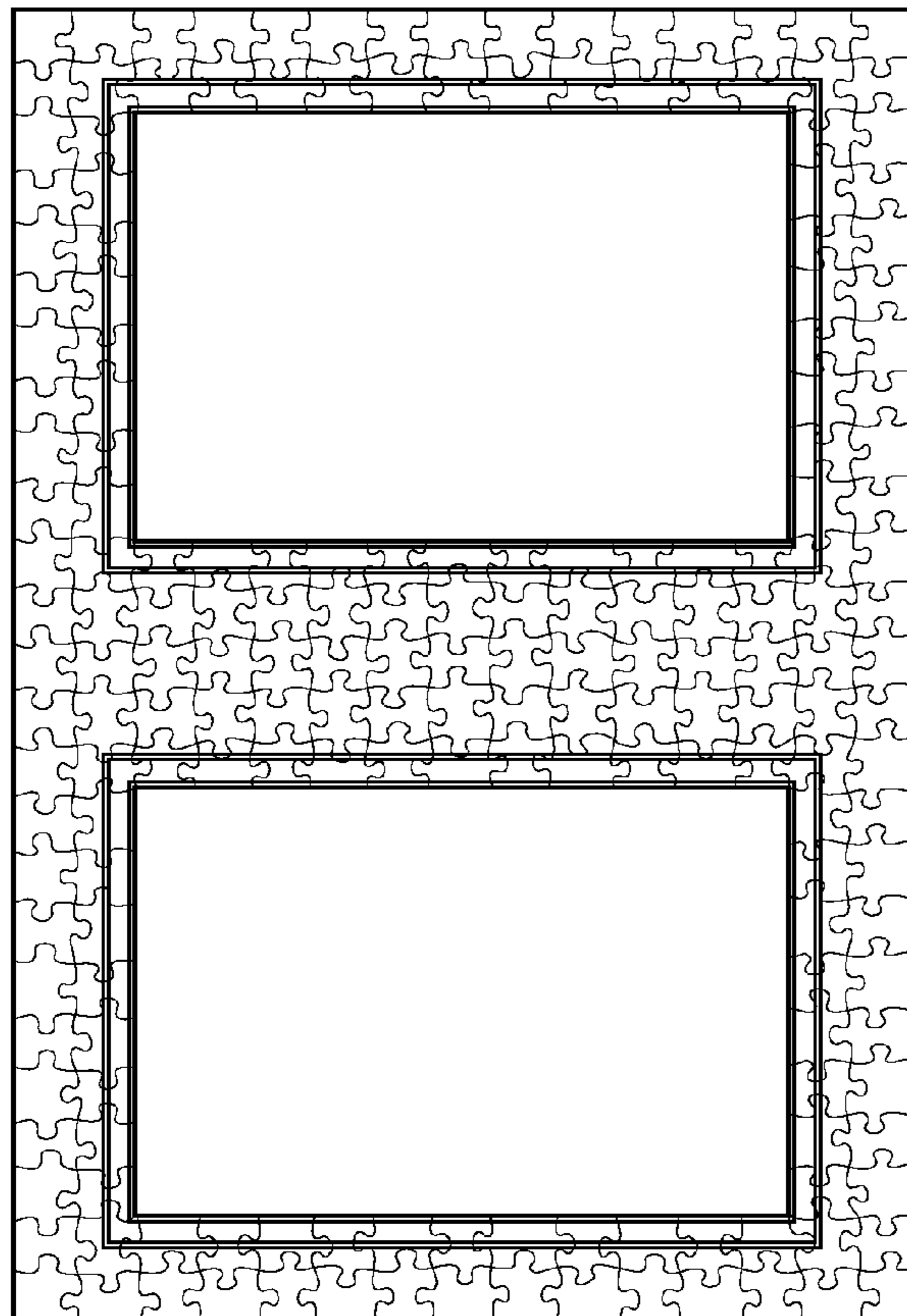


FIG. 2

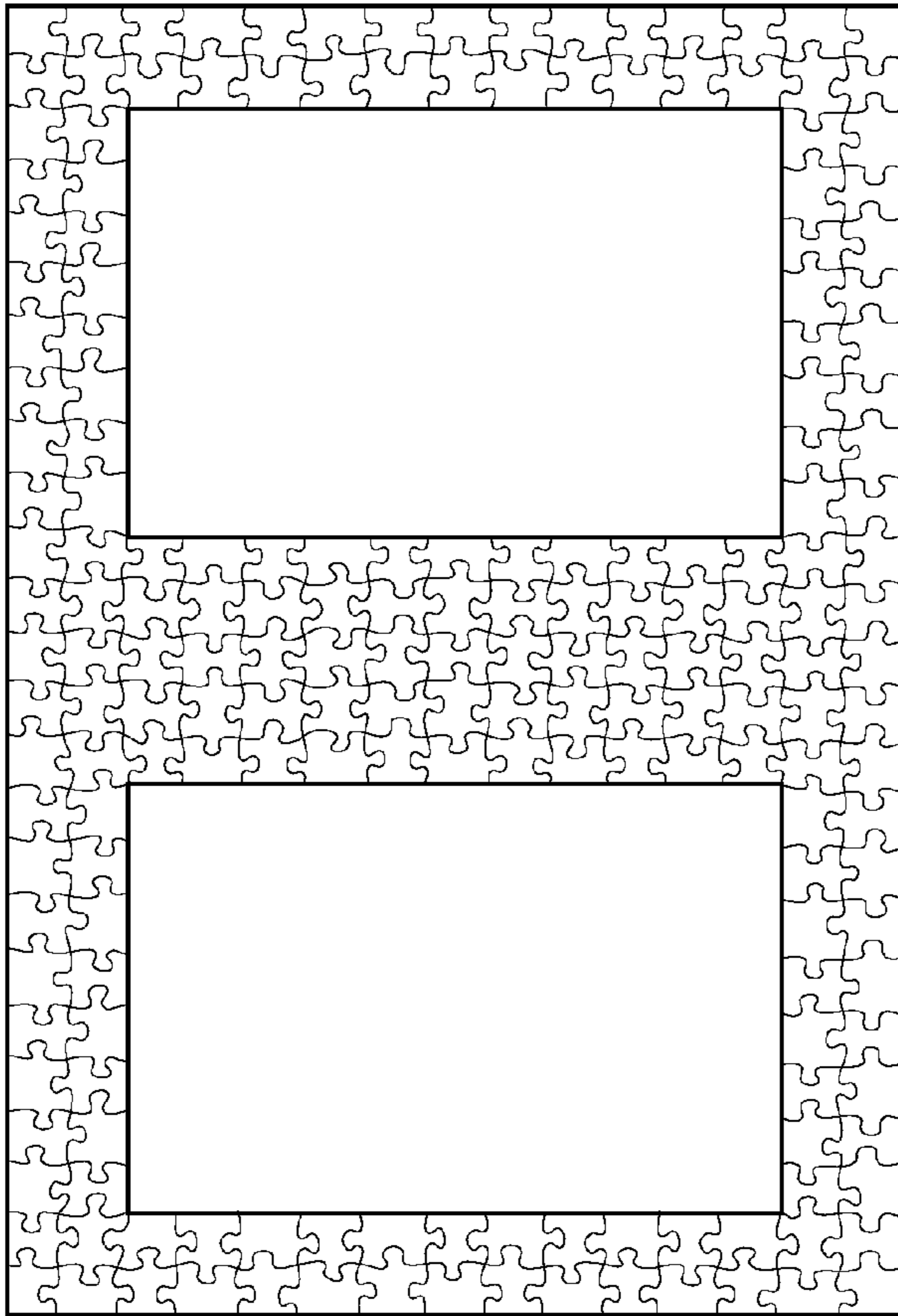


FIG. 3

FIG. 4



FIG. 5



FIG. 6



FIG. 7