



US00D589703S

(12) **United States Design Patent**
Wenchel et al.

(10) **Patent No.:** **US D589,703 S**
(45) **Date of Patent:** **** Apr. 7, 2009**

- (54) **TOOL BIT CONTAINER**
- (75) Inventors: **Lauren M. Wenchel**, Bel Air, MD (US);
Gabriel E. Concari, Eldersburg, MD (US)
- (73) Assignee: **Black & Decker Inc.**, Newark, DE (US)
- (**) Term: **14 Years**
- (21) Appl. No.: **29/308,146**
- (22) Filed: **May 30, 2008**
- (51) **LOC (9) Cl.** **03-01**
- (52) **U.S. Cl.** **D3/273; D3/905**
- (58) **Field of Classification Search** D3/201,
D3/203.5-203.6, 206, 225, 228, 230, 260,
D3/262, 272-275, 294-295, 302, 315; D9/420,
D9/422-424, 430, 432; D19/75, 85-86,
D19/90; D99/28, 33; D6/440; 206/315.1,
206/315.11, 349, 372-373, 379
See application file for complete search history.

- 5,423,419 A 6/1995 Wentz et al.
- 5,669,492 A 9/1997 Chao
- D409,374 S 5/1999 Laba et al.
- D409,613 S * 5/1999 McGee et al. D14/189
- D412,062 S 7/1999 Potter et al.
- 6,033,163 A 3/2000 Anderson
- D422,785 S 4/2000 Caveli
- 6,053,316 A * 4/2000 Lo 206/379
- D426,950 S * 6/2000 Conway D3/203.5
- D433,798 S 11/2000 Weinstock
- D434,217 S 11/2000 Packard et al.
- D436,441 S 1/2001 Lapidus
- D437,763 S 2/2001 Oliver et al.
- 6,216,858 B1 4/2001 Chiu
- D442,348 S * 5/2001 Cavero et al. D99/33
- D443,133 S 6/2001 Richardson et al.
- D457,427 S 5/2002 Diaz
- D502,597 S * 3/2005 Eastman et al. D3/273
- D503,037 S 3/2005 Terronez et al.
- D505,068 S 5/2005 Cunningham et al.
- 6,915,900 B2 7/2005 Chen
- D509,732 S * 9/2005 Staples D9/423
- D516,420 S 3/2006 Teo

(Continued)

(56) **References Cited**
U.S. PATENT DOCUMENTS

- 388,334 A * 8/1888 Bartlett et al. 206/379
- 1,579,360 A 4/1926 Hartwig
- D181,960 S * 1/1958 Donkin D3/230
- D207,373 S 4/1967 Rudnikoff et al.
- 3,872,996 A 3/1975 Dogliotti
- D237,611 S 11/1975 Minneman
- D249,744 S * 9/1978 Lyman D3/294
- 4,163,496 A 8/1979 Dogliotti
- D262,412 S * 12/1981 Sibbett D3/230
- D263,987 S 4/1982 Milliman
- 4,538,731 A 9/1985 Cillario
- D284,714 S 7/1986 Thor
- 5,009,222 A 4/1991 Her
- 5,046,613 A 9/1991 Baudry et al.
- D322,514 S * 12/1991 Her D3/225
- D331,498 S 12/1992 Chen
- D347,732 S 6/1994 Wentz
- D351,789 S 10/1994 Lee
- D355,761 S * 2/1995 Campana et al. D3/273

Primary Examiner—Robert M Spear
Assistant Examiner—Roselynn Cody
(74) *Attorney, Agent, or Firm*—Scott B. Markow

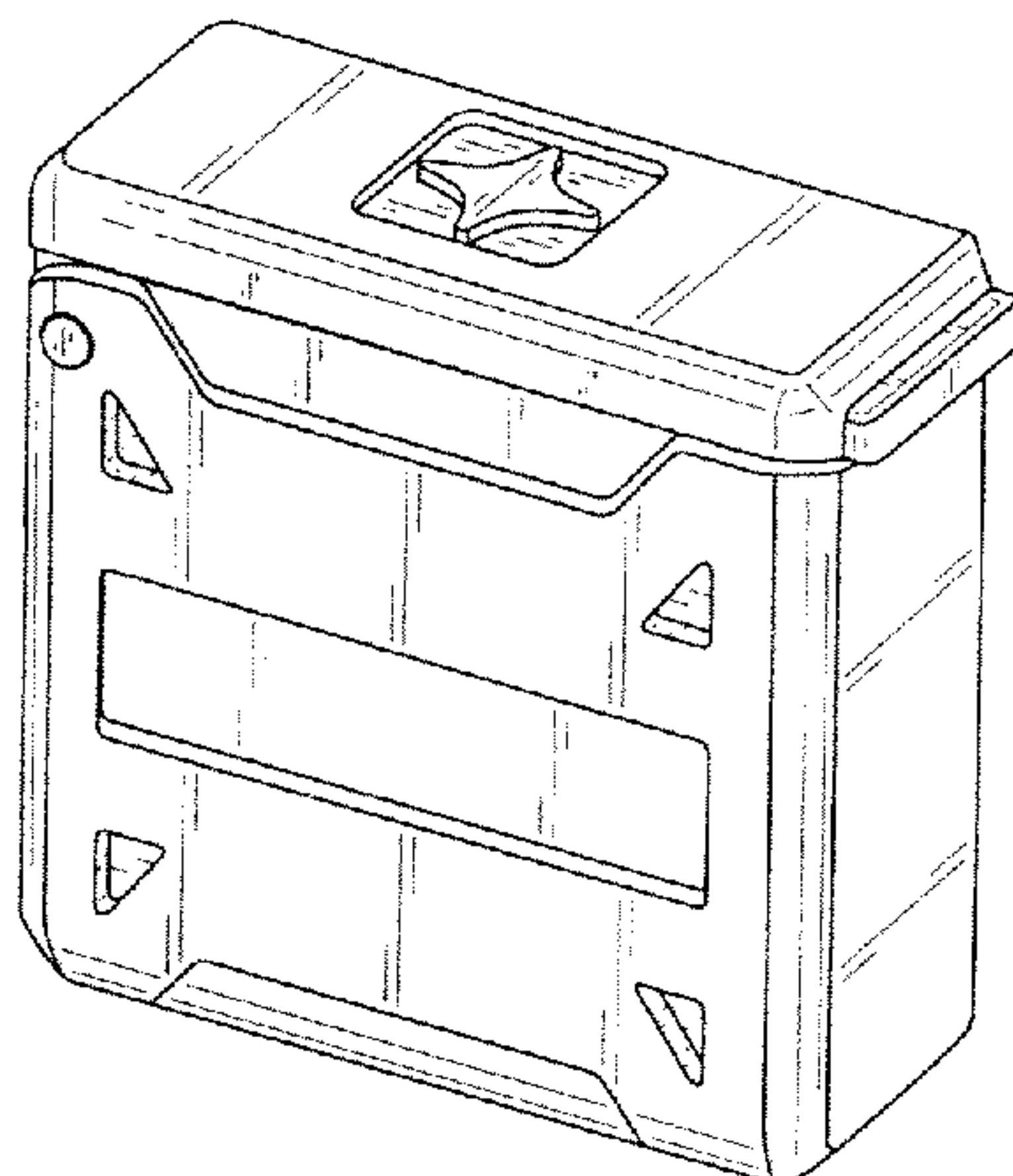
(57) **CLAIM**

The ornamental design for a tool bit container, as shown and described.

DESCRIPTION

- FIG. 1 is a perspective view of the tool bit container.
- FIG. 2 is a front view thereof.
- FIG. 3 is a rear view thereof.
- FIG. 4 is a left view thereof.
- FIG. 5 is a right view thereof.
- FIG. 6 is a top view thereof; and,
- FIG. 7 is a bottom view thereof.

1 Claim, 3 Drawing Sheets



US D589,703 S

Page 2

U.S. PATENT DOCUMENTS

7,021,464 B2	4/2006	Chen	D549,093 S	8/2007	Weakland	
D532,603 S	11/2006	Chen	D560,489 S *	1/2008	Satnick	D9/415
7,188,726 B2	3/2007	Lin	7,328,797 B2	2/2008	Lin	
7,195,120 B2	3/2007	Cunningham et al.	D577,511 S *	9/2008	Anderson et al.	D6/440
D540,493 S *	4/2007	Fick	2002/0092786 A1	7/2002	Shu	
7,222,762 B2	5/2007	Rees et al.	2005/0199522 A1	9/2005	Hu	
D545,186 S	6/2007	Liebe et al.	2006/0283739 A1	12/2006	Wang	

* cited by examiner

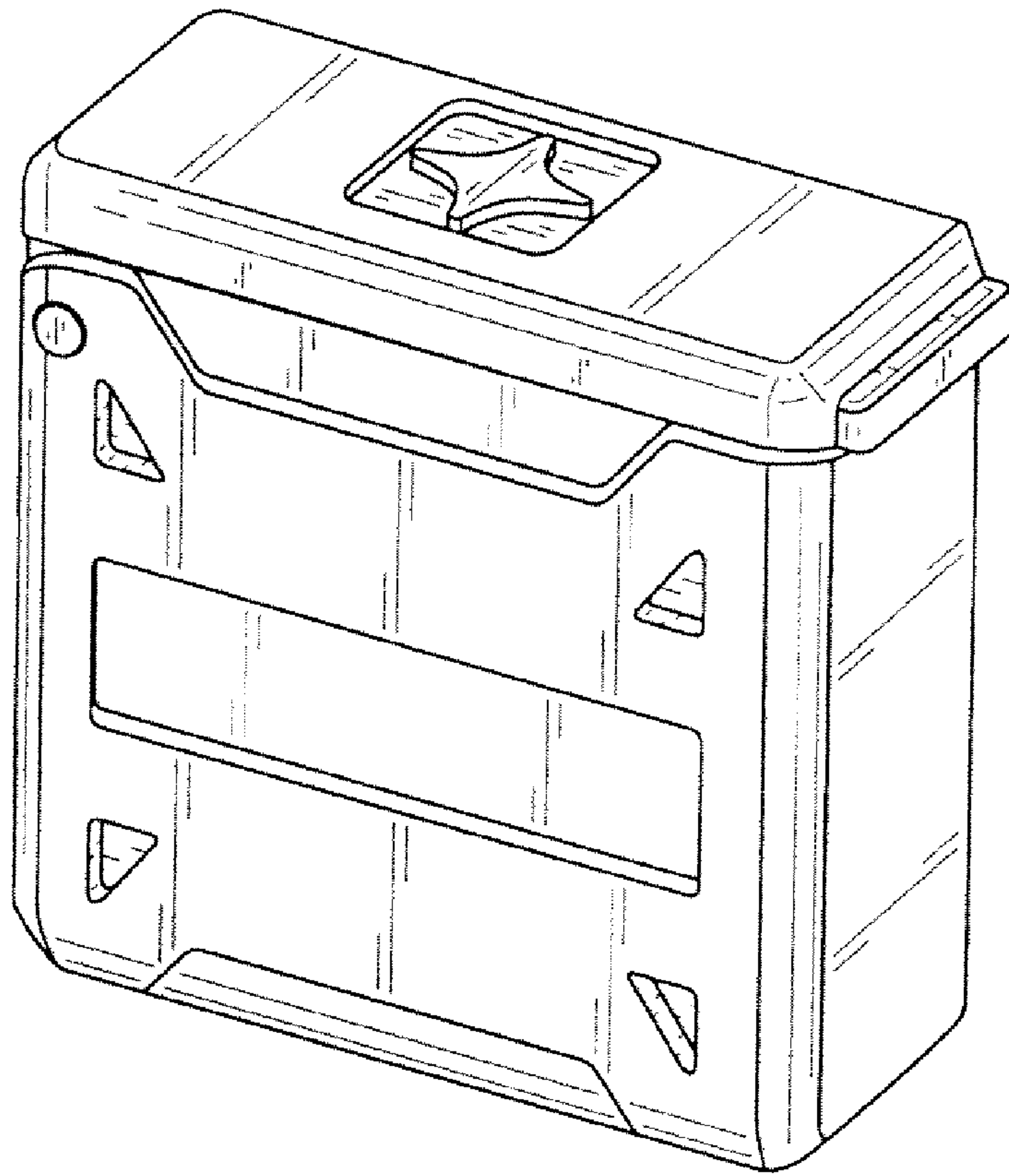


FIG. 1

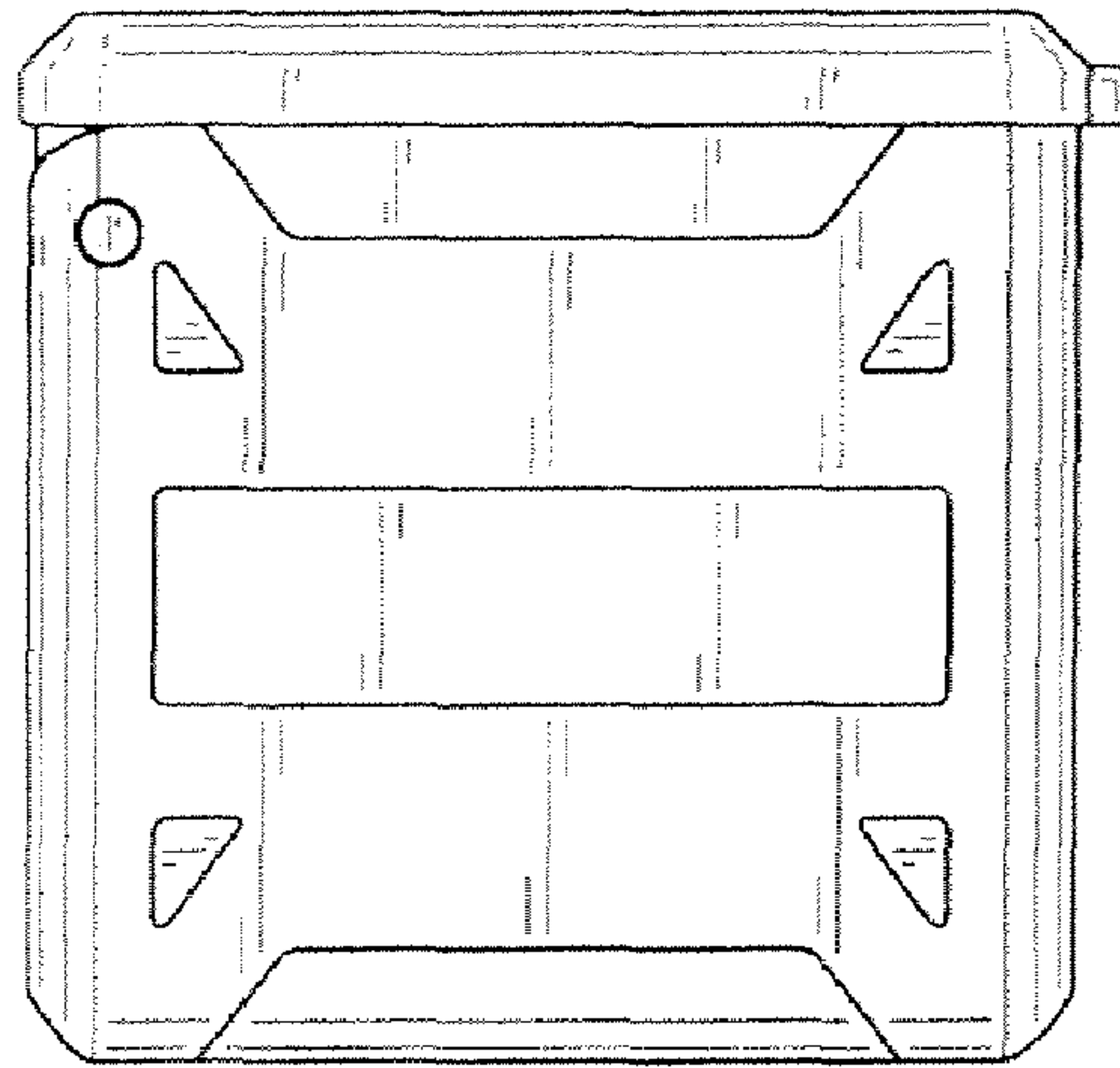


FIG. 2

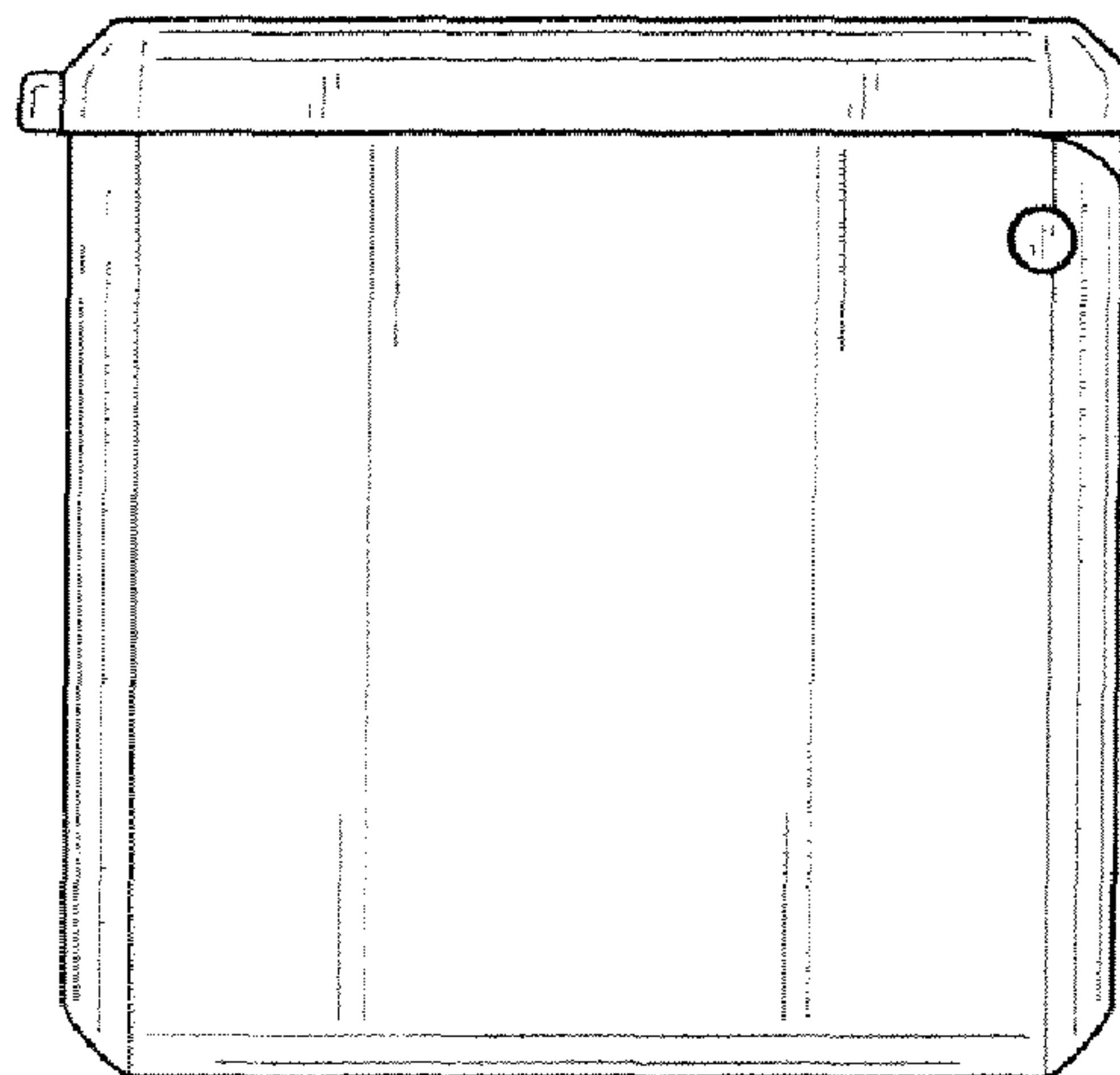


FIG. 3

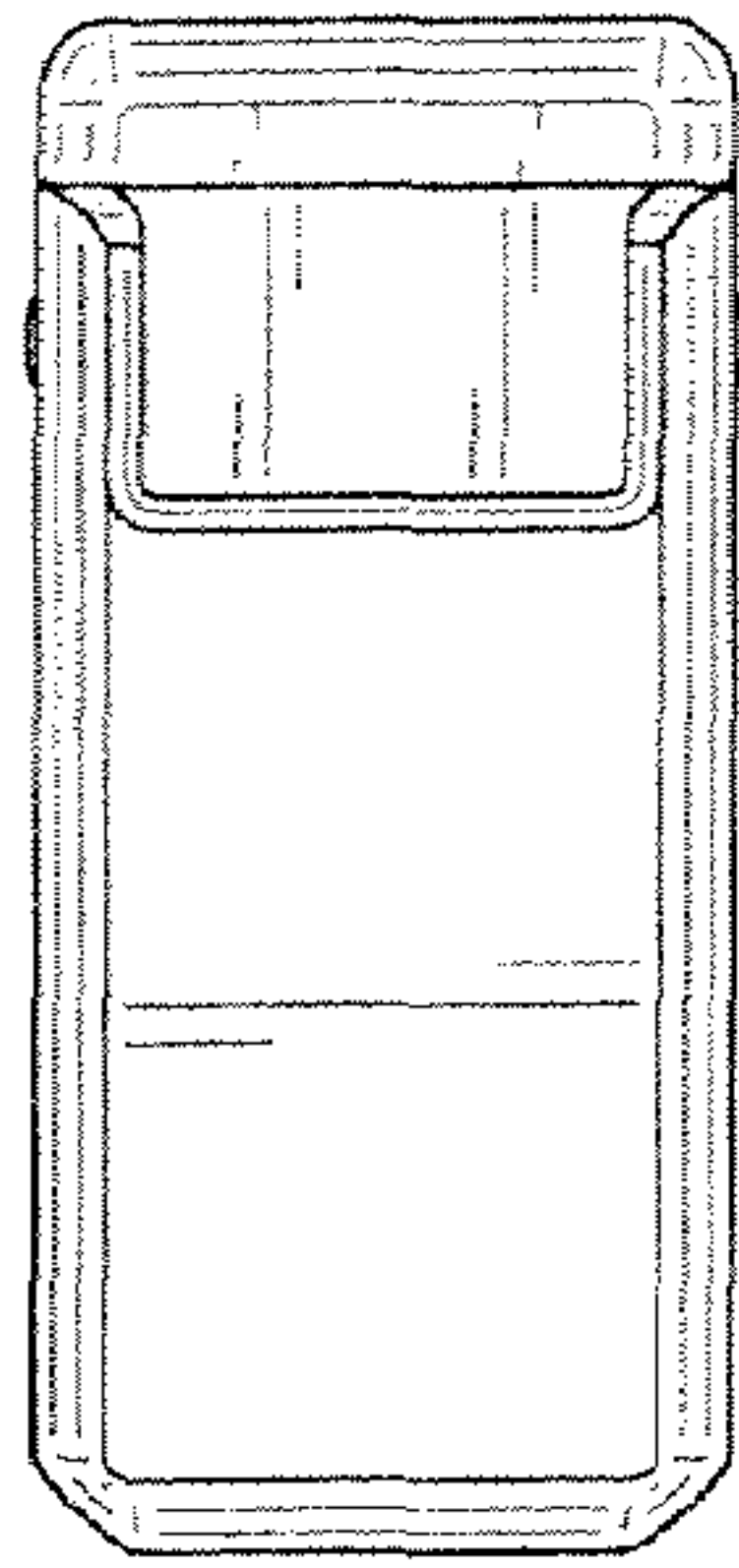


FIG. 4

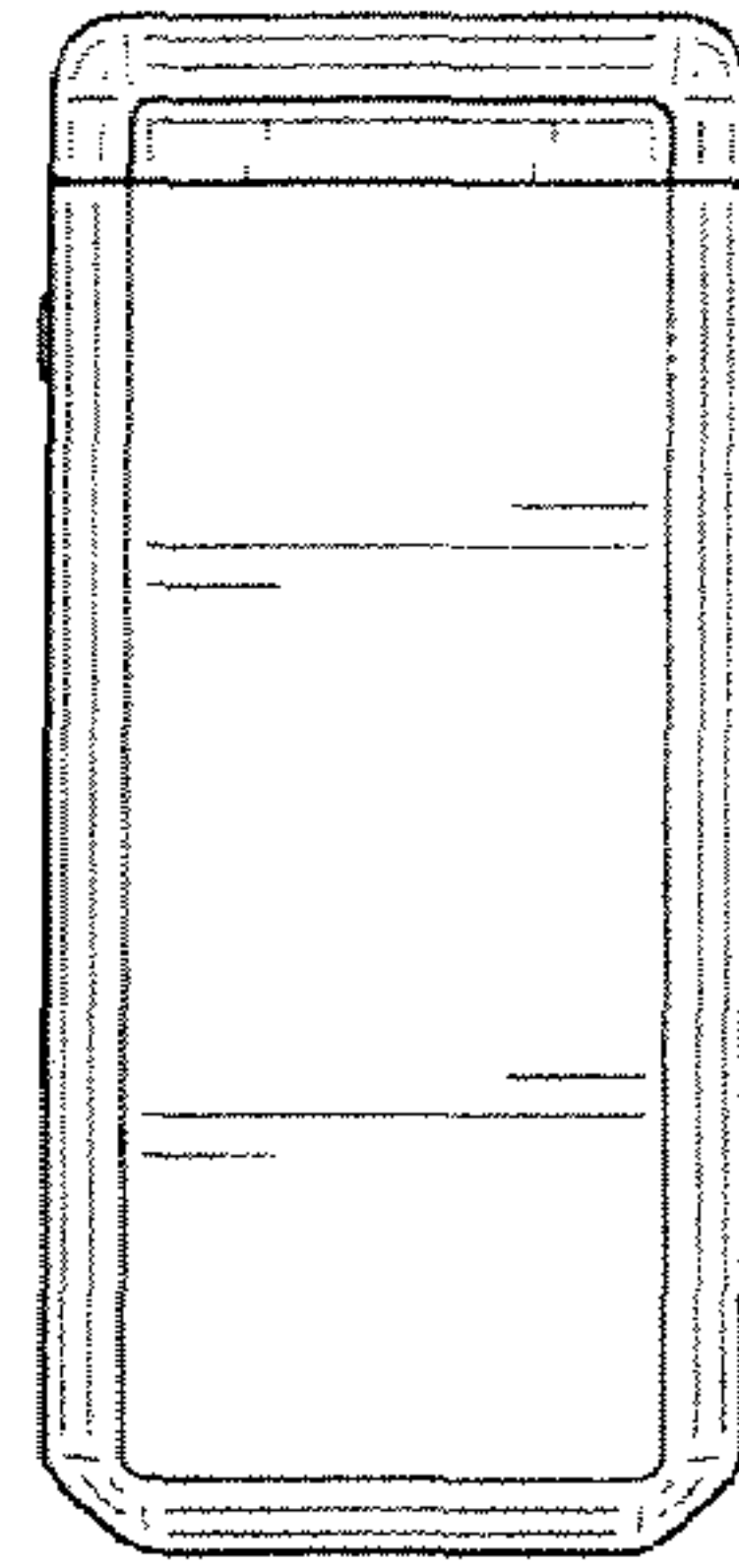


FIG. 5

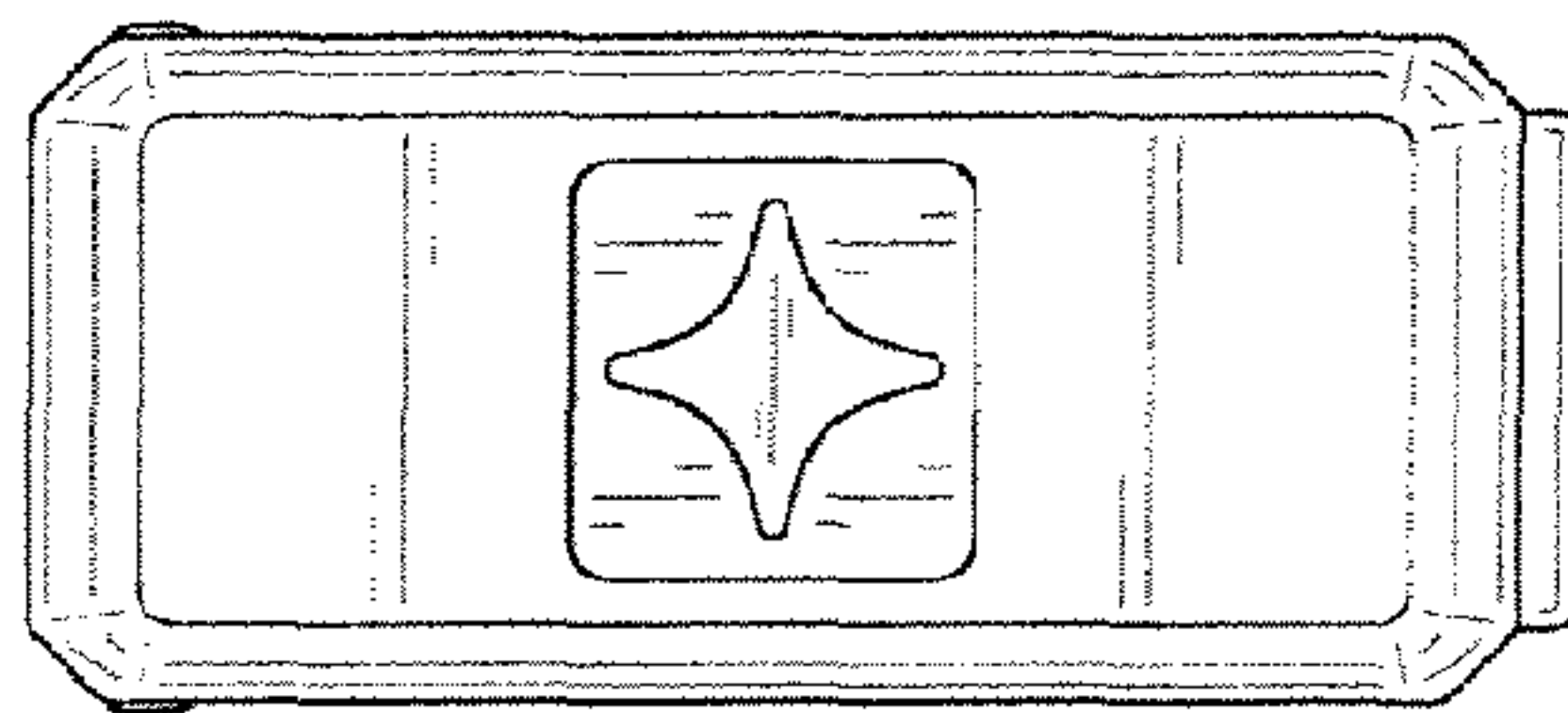


FIG. 6

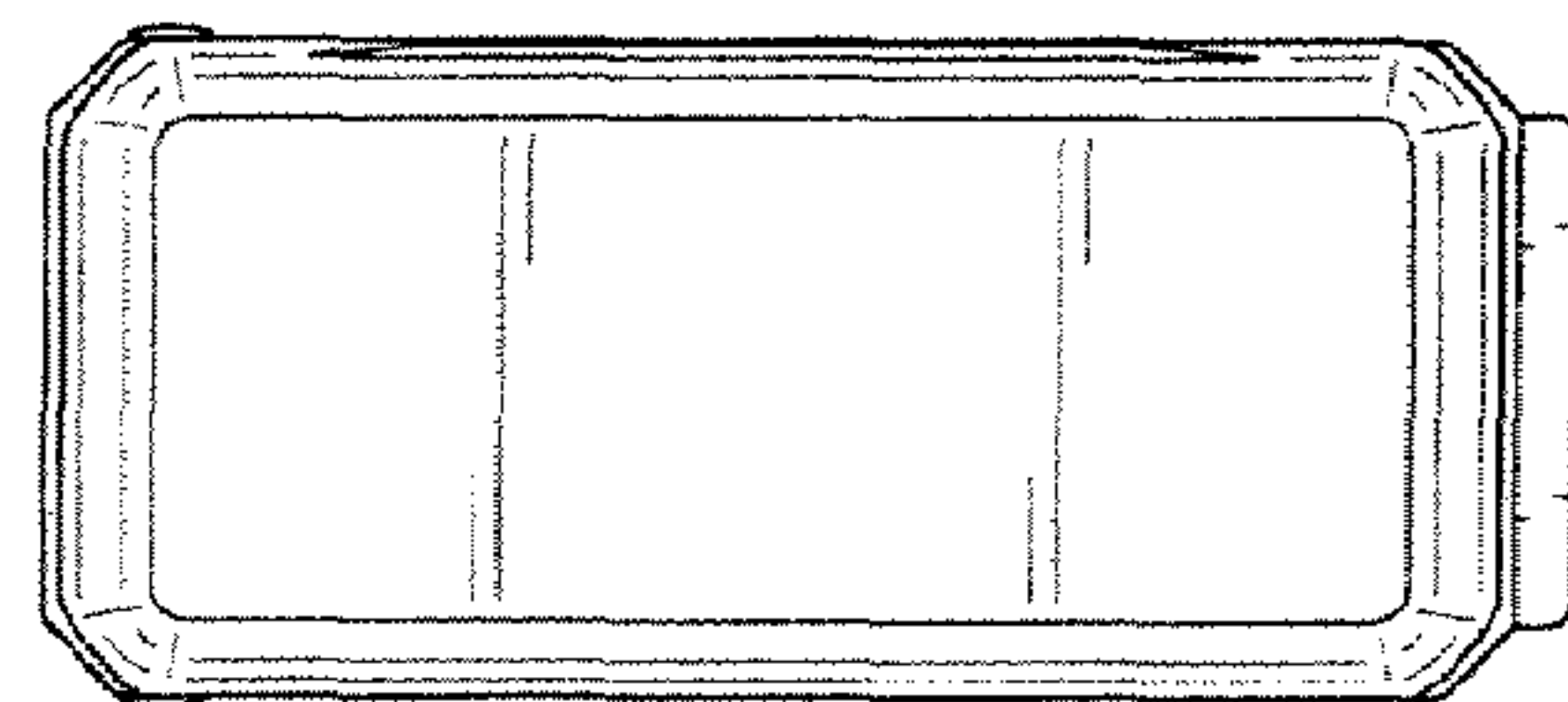


FIG. 7