



US00D589698S

(12) **United States Design Patent**
Ohta et al.

(10) **Patent No.:** **US D589,698 S**
(45) **Date of Patent:** **** Apr. 7, 2009**

(54) **KEY CASE**

(76) Inventors: **Tsuyoshi Ohta**, 3-1-2-437
Shiyokohama, Kohoku-ku, Kanagawa,
Yokohama-shi (JP); **Rumi Ohta**,
3-1-2-437 Shiyokohama, Kohoku-ku,
Kanagawa, Yokohama-shi (JP)

(**) Term: **14 Years**

(21) Appl. No.: **29/323,741**

(22) Filed: **Aug. 29, 2008**

D423,396 S	4/2000	Wolf	
D440,902 S	4/2001	Wolf	
D456,600 S	5/2002	Gadson	
D458,183 S	6/2002	Namdar	
D461,047 S	8/2002	Peterson	
D476,256 S	6/2003	Namdar	
D478,528 S	8/2003	Mehta et al.	
D479,708 S	9/2003	Hwang et al.	
D495,483 S	9/2004	Vickers et al.	
D506,411 S	6/2005	Krochmal	
D537,379 S	2/2007	Namdar	
D542,025 S *	5/2007	Vincent D3/208
D545,238 S	6/2007	Krochmal	
D553,850 S	10/2007	Trower	
D566,609 S	4/2008	Novikov	

Related U.S. Application Data

(62) Division of application No. 29/298,825, filed on Dec. 13, 2007, now Pat. No. Des. 580,818.

Foreign Application Priority Data

Jun. 14, 2007	(JP)	2007-19078
Jun. 14, 2007	(JP)	2007-19079
Jun. 14, 2007	(JP)	2007-19081

(51) **LOC (9) Cl.** **03-01**

(52) **U.S. Cl.** **D3/212**

(58) **Field of Classification Search** D3/207-212;
70/456 R, 456 B; 24/3 K, 3.6, 100
See application file for complete search history.

(56) **References Cited**

U.S. PATENT DOCUMENTS

2,580,845 A *	1/1952	Sam	206/37.1
2,690,666 A *	10/1954	Engel et al.	70/456 R
D273,053 S *	3/1984	Hamborg	D99/28
4,884,636 A *	12/1989	Mumallah et al.	166/295
D394,153 S	5/1998	Martin		
D399,051 S	10/1998	Wu		

* cited by examiner

Primary Examiner—R. Seifert

(74) *Attorney, Agent, or Firm*—Lucas & Mercanti, LLP

(57) **CLAIM**

The new and ornamental design for the key case, substantially as shown and described.

DESCRIPTION

This article is a key case in which a card-type or box-type electronic key is housed.

FIG. 1 is a reference perspective view of the key case,

FIG. 2 is a front view of the key case,

FIG. 3 is a rear view of the key case,

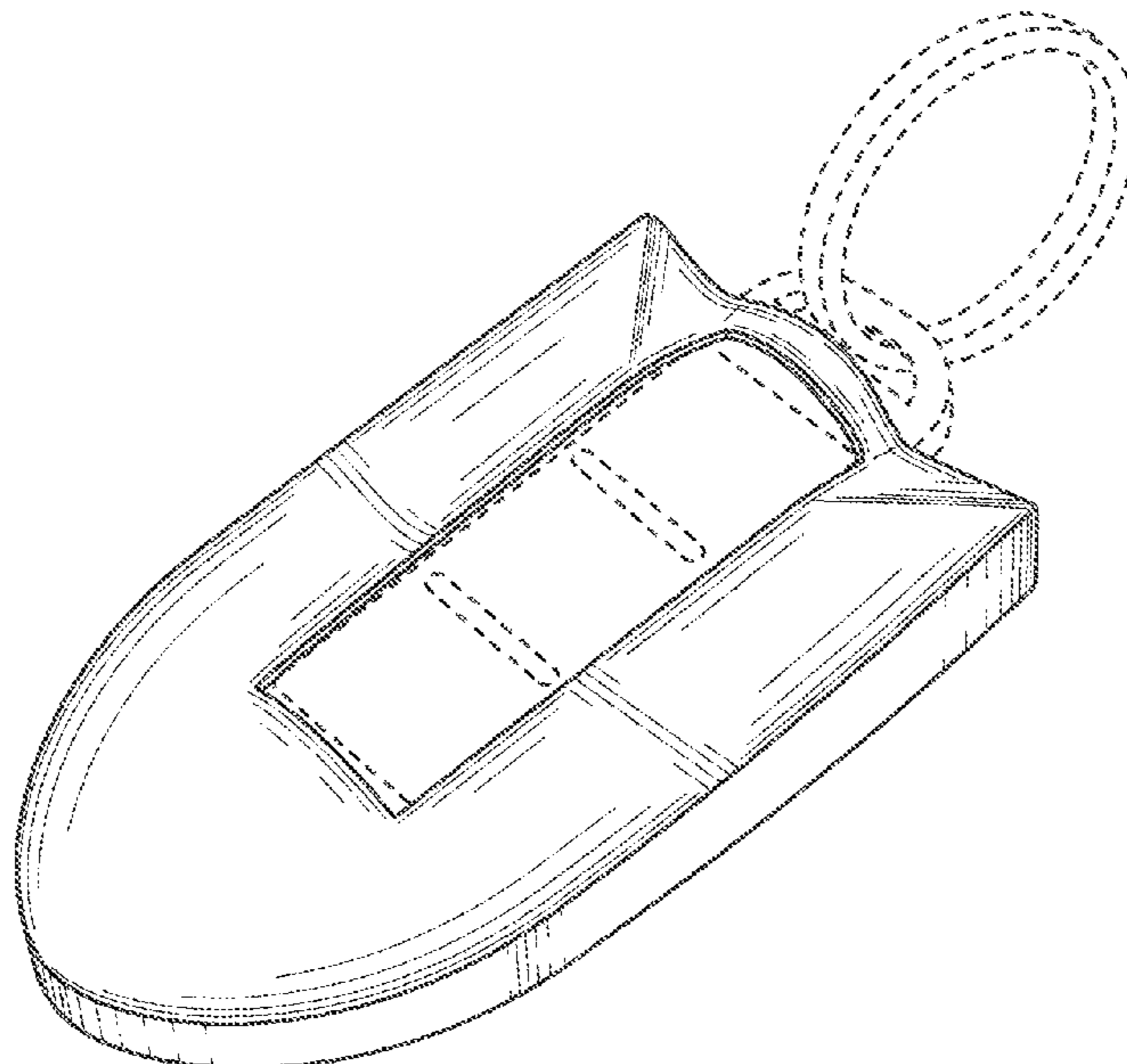
FIG. 4 is a left side view of the key case,

FIG. 5 is a right side view of the key case,

FIG. 6 is a top view of the key case; and,

FIG. 7 is a bottom view of the key case.

1 Claim, 4 Drawing Sheets



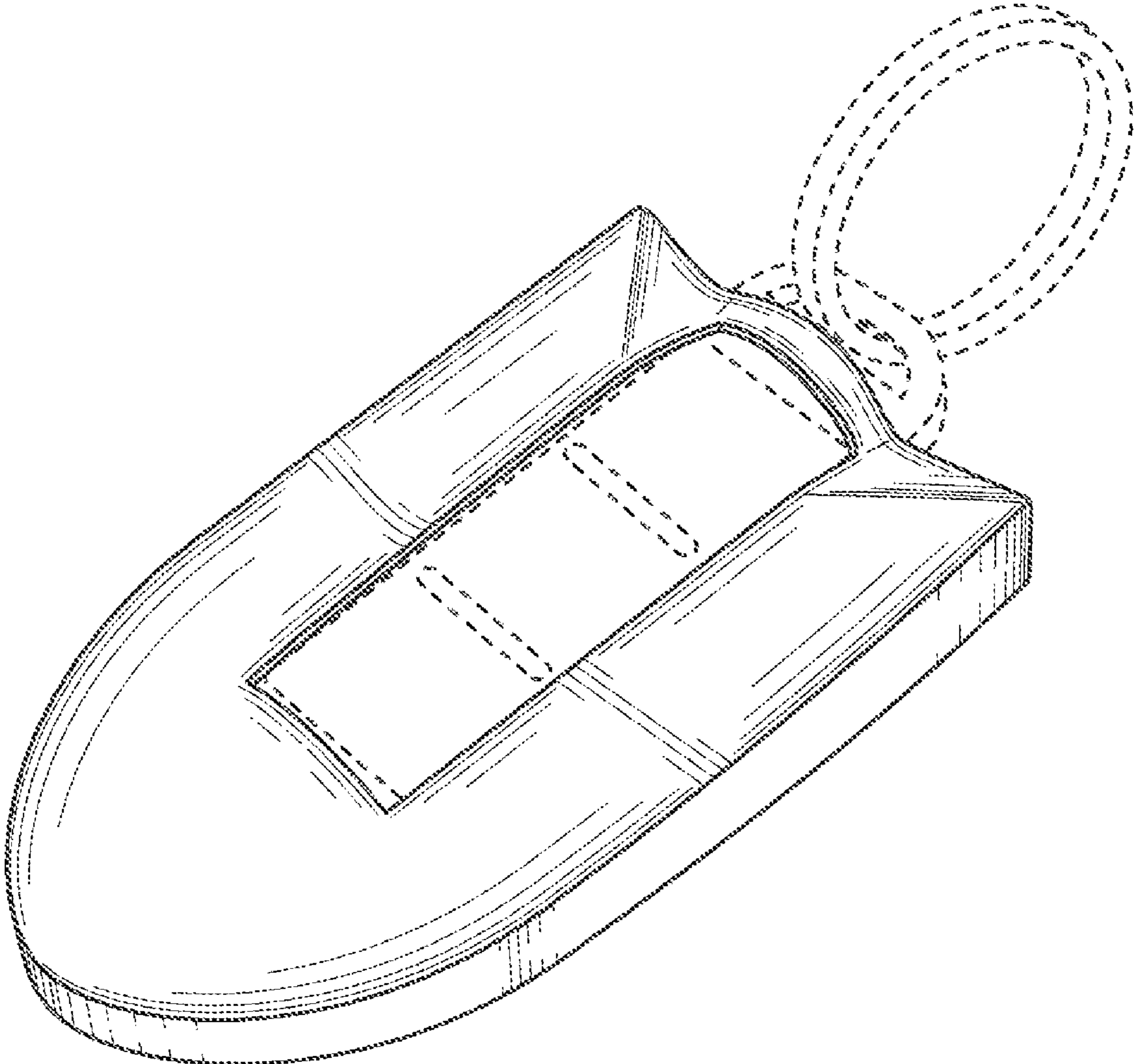


FIG. 1

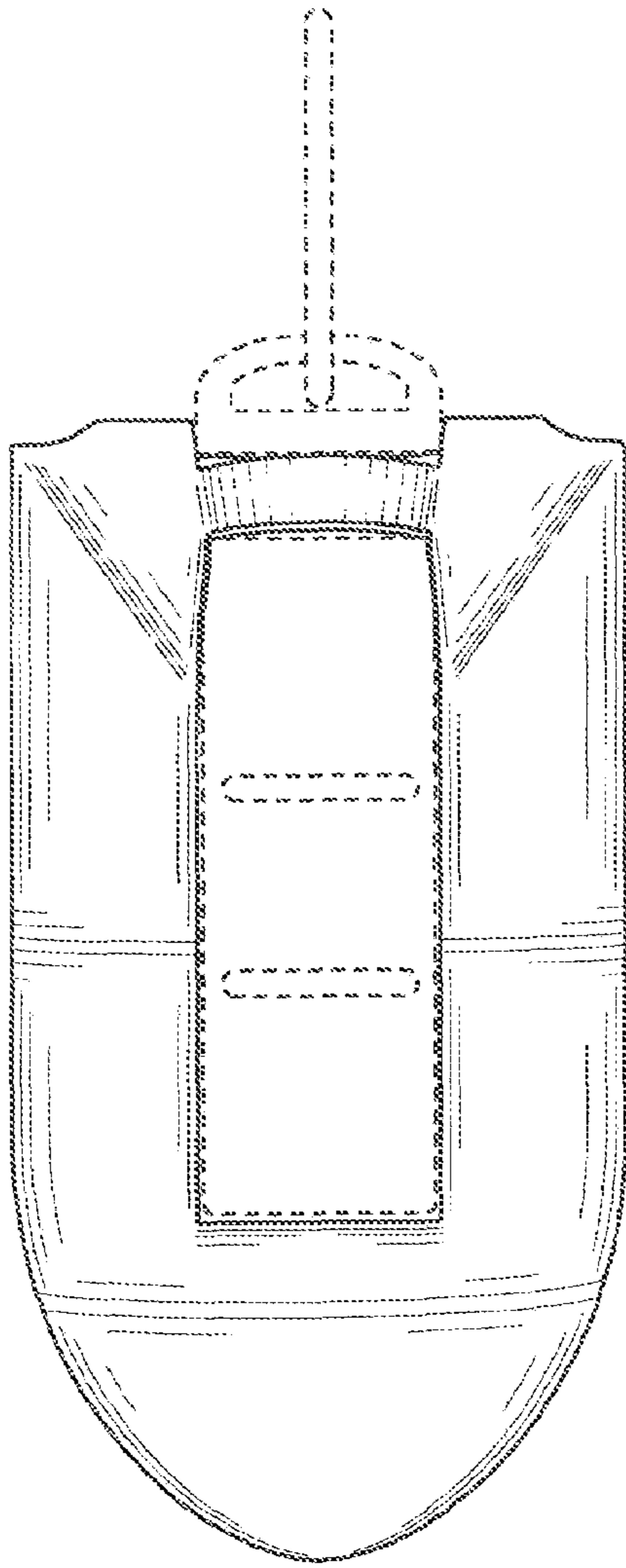


FIG. 2

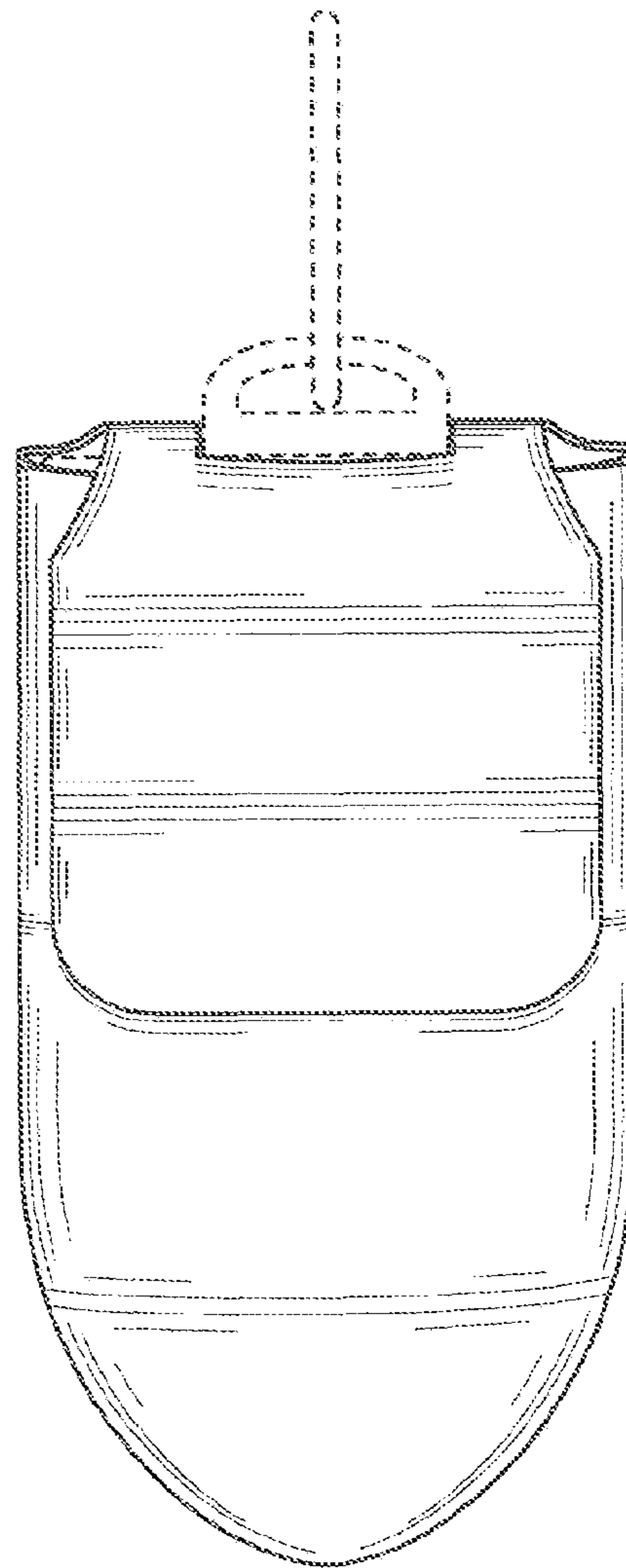


FIG. 3

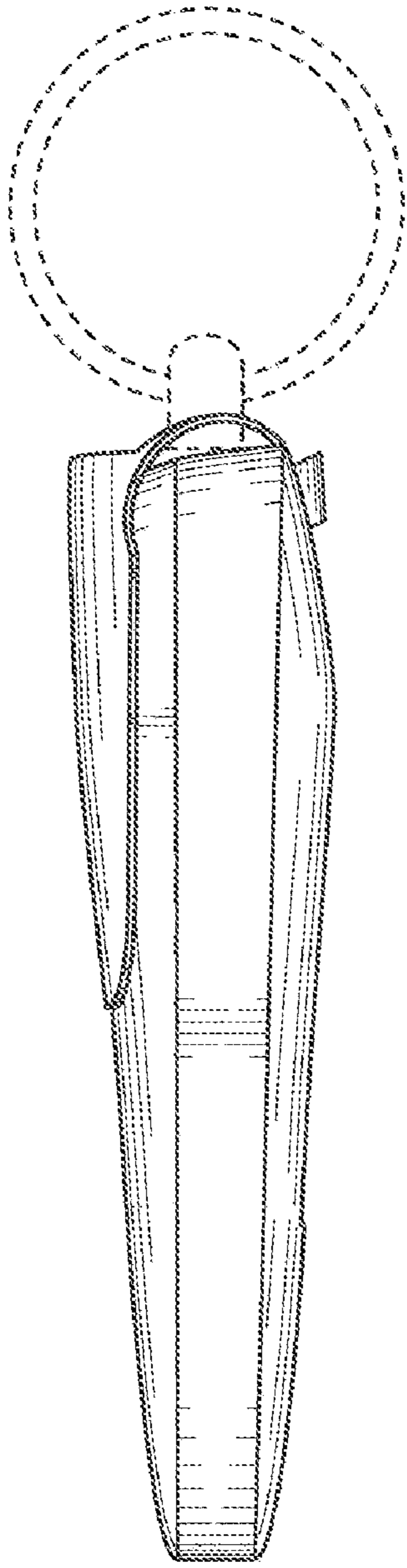


FIG. 4

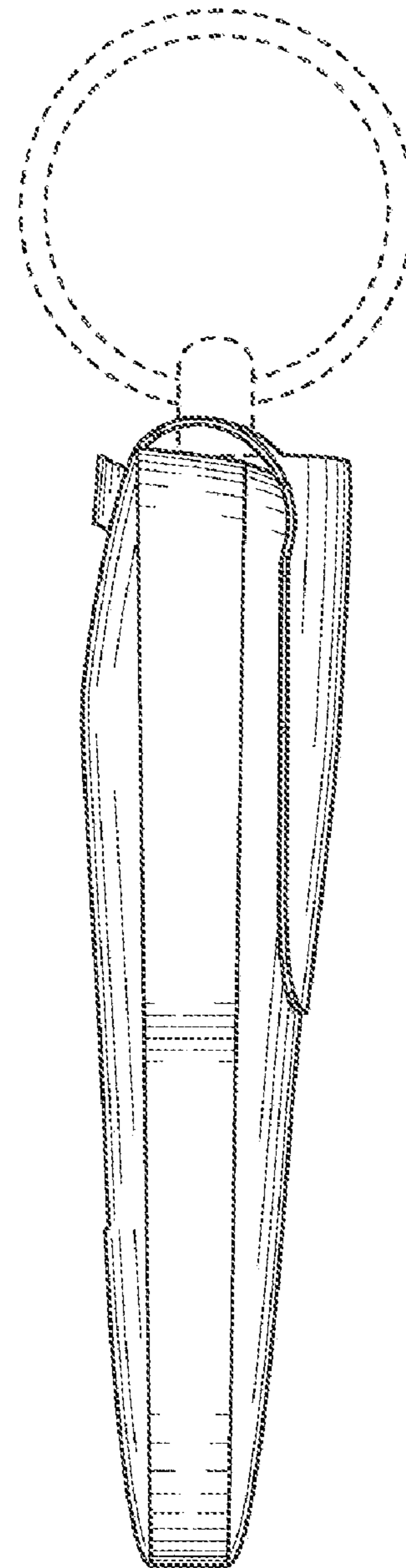


FIG. 5

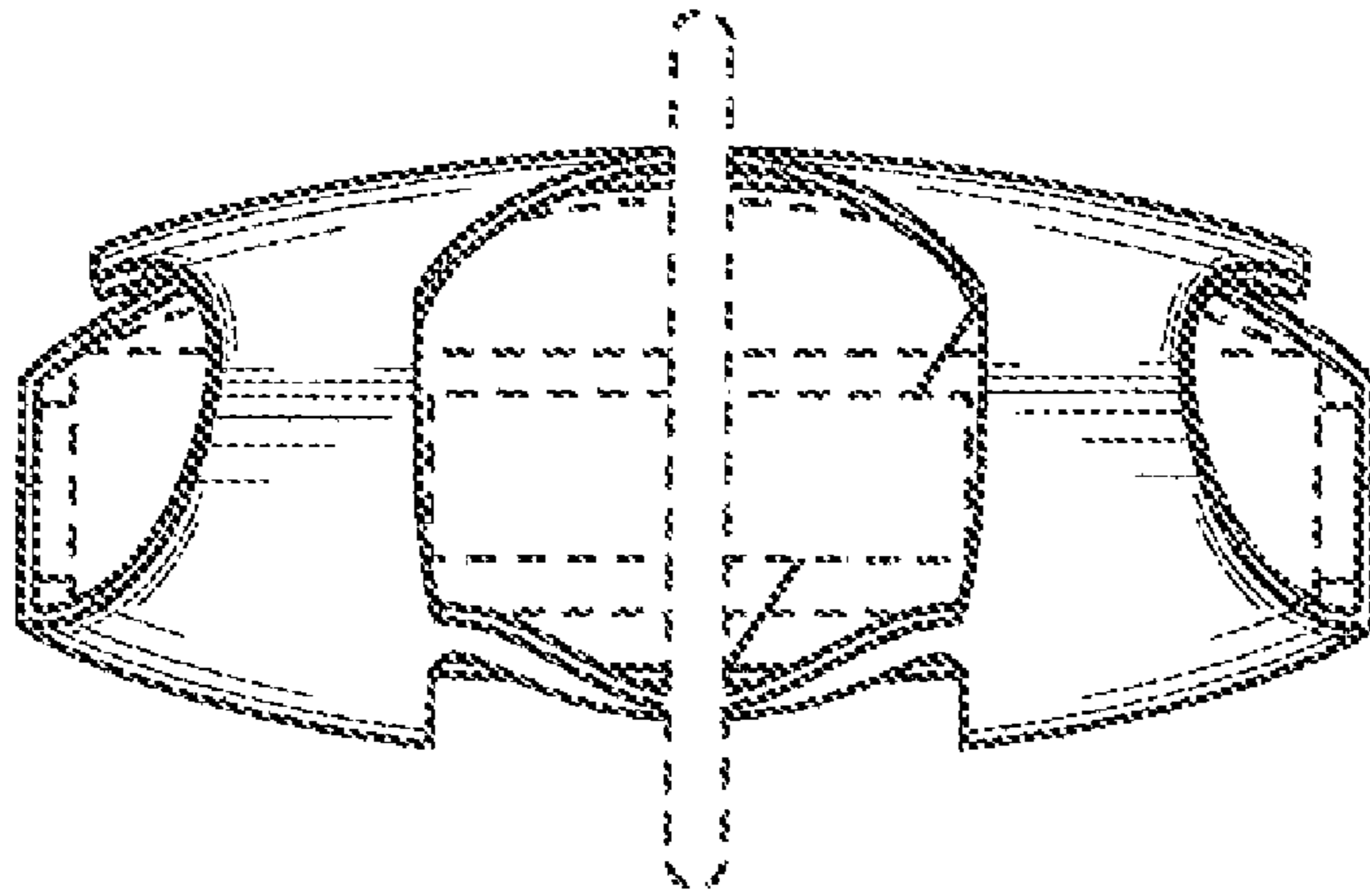


FIG. 6

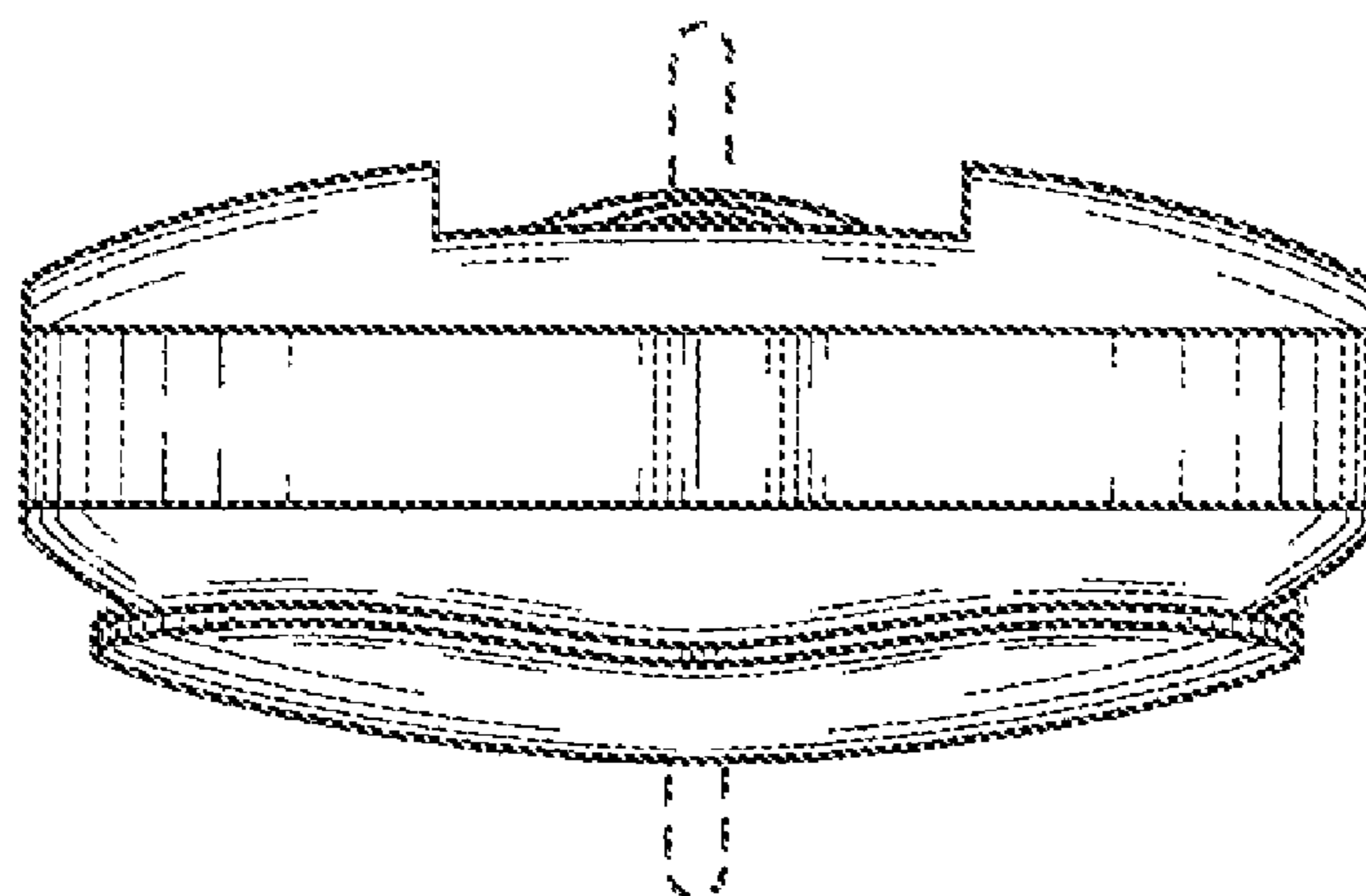


FIG. 7