



US00D589691S

(12) **United States Design Patent**
Wilkinson

(10) **Patent No.:** **US D589,691 S**

(45) **Date of Patent:** **** Apr. 7, 2009**

(54) **FOOTWEAR**

D558,970 S 1/2008 Guers-Neyrud

(75) Inventor: **Rebecca Wilkinson**, London (GB)

(73) Assignee: **J. Choo Limited**, London (GB)

(**) Term: **14 Years**

(21) Appl. No.: **29/301,024**

(22) Filed: **Feb. 5, 2008**

(30) **Foreign Application Priority Data**

Aug. 10, 2002 (EM) 000778212-0001
Aug. 10, 2002 (EM) 000778212-0007

(51) **LOC (9) Cl.** **02-99**

(52) **U.S. Cl.** **D2/946**; D2/971; D2/978

(58) **Field of Classification Search** D2/896,
D2/925-942, 969, 971; 36/1, 83, 8.3, 45-58
See application file for complete search history.

(56) **References Cited**

U.S. PATENT DOCUMENTS

D102,580 S 12/1936 Samuels
D110,446 S * 7/1938 Sholtz D2/931
D121,467 S * 7/1940 Calderazzo D2/927
D123,592 S 11/1940 Elkin
D550,944 S 9/2007 Choi
D550,945 S 9/2007 Choi

OTHER PUBLICATIONS

Vintage Shoe.
Close-up of vintage shoe.
U.S. Appl. No. 29/289,519, filed Sep. 23, 2007.

* cited by examiner

Primary Examiner—Dominic Simone

(74) *Attorney, Agent, or Firm*—Fross Zelnick Lehrman & Zissu, P.C.; Lawrence E. Apolzon, Esq.

(57) **CLAIM**

The ornamental design for footwear, as shown and described.

DESCRIPTION

FIG. 1 is a front perspective view of a shoe showing my footwear design;

FIG. 2 is a left side view of the footwear shown in FIG. 1;

FIG. 3 is a right side view of the footwear shown in FIG. 1;

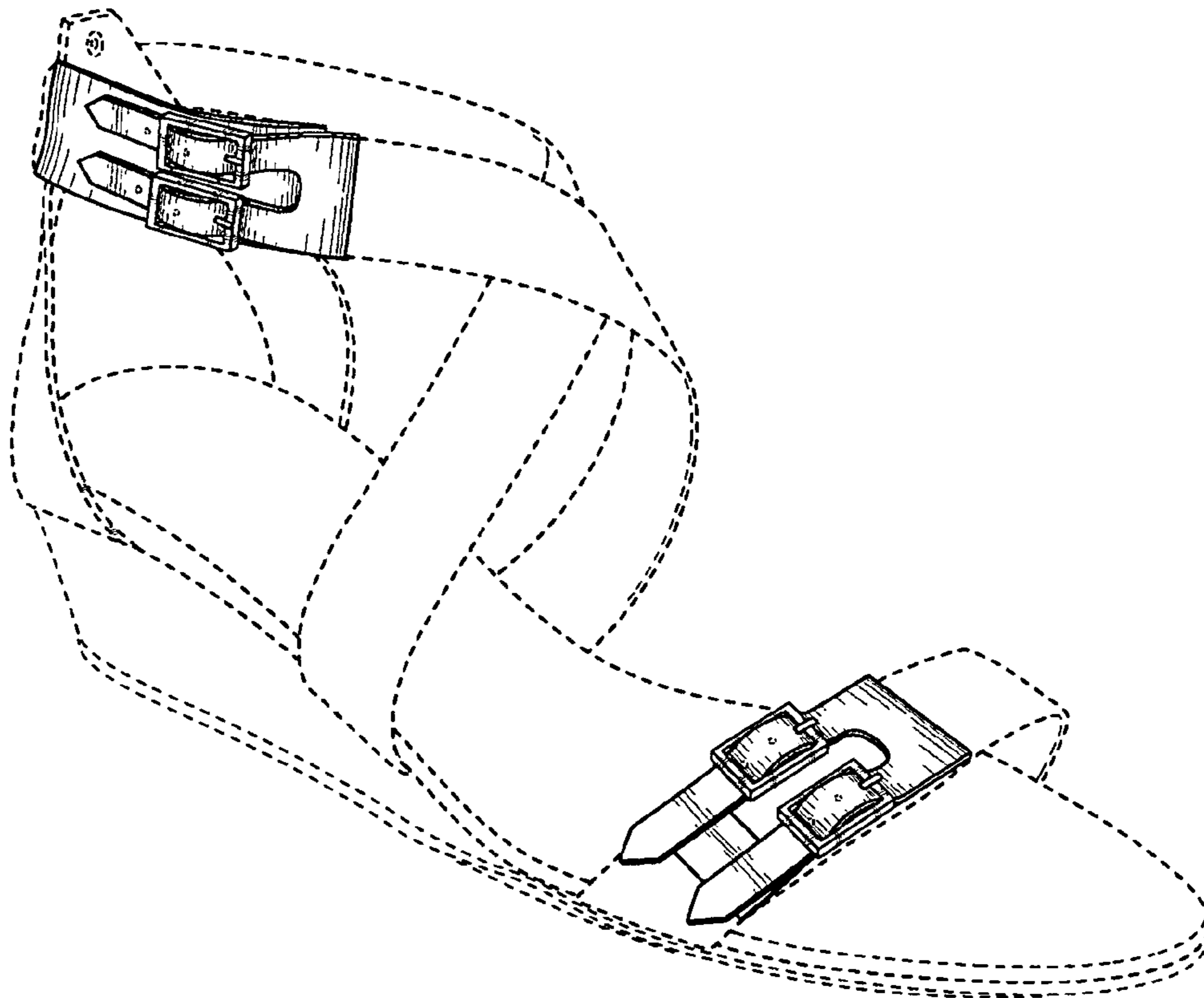
FIG. 4 is a front view of the footwear shown in FIG. 1;

FIG. 5 is a rear view of the footwear shown in FIG. 1; and,

FIG. 6 is a top view of the footwear shown in FIG. 1.

The broken line showing of a portion of the sole, heel, and portion of the straps, is for illustrative purposes only and forms no part of the claimed design.

1 Claim, 6 Drawing Sheets



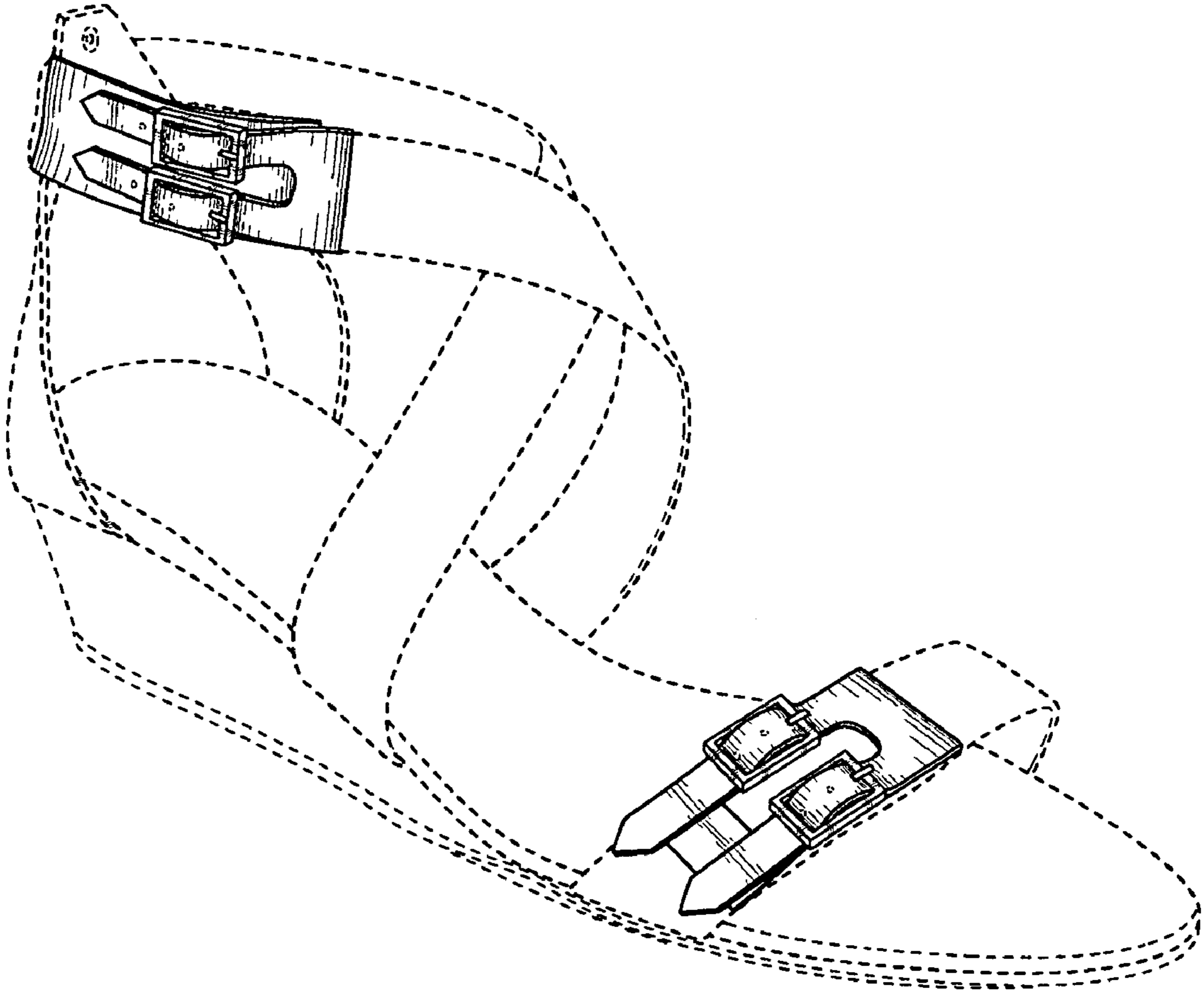


FIG. 1

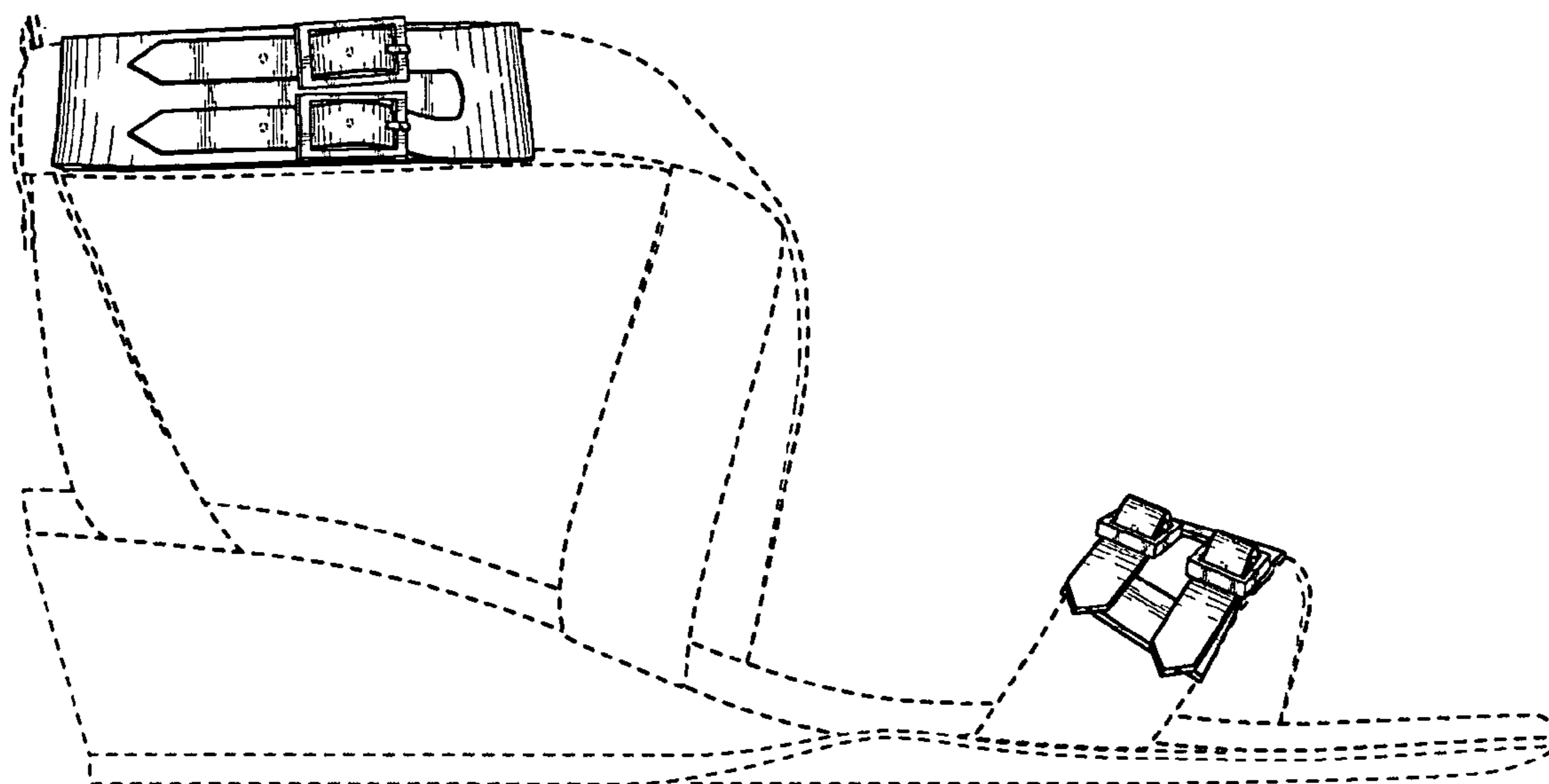


FIG. 2

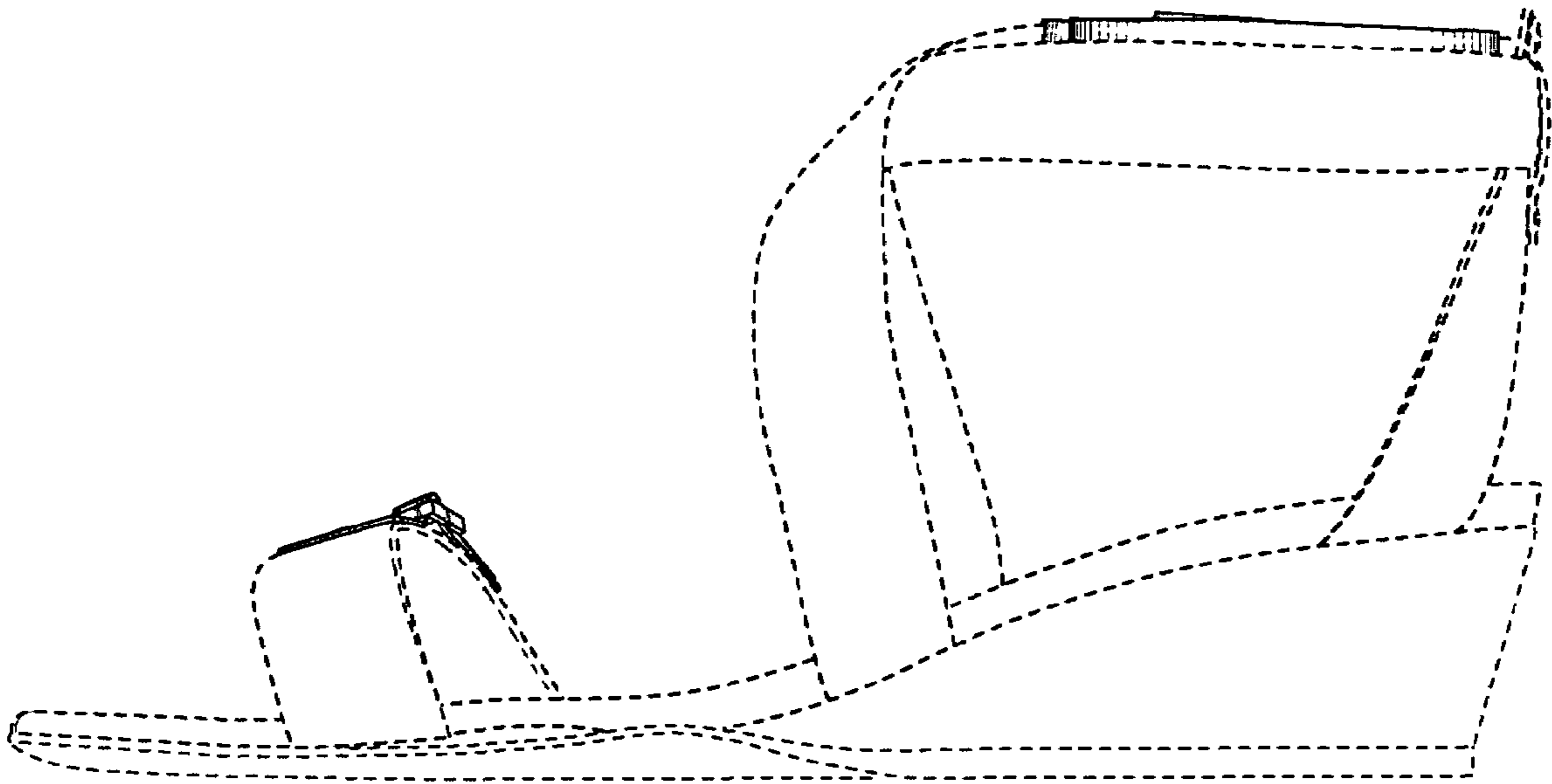


FIG. 3

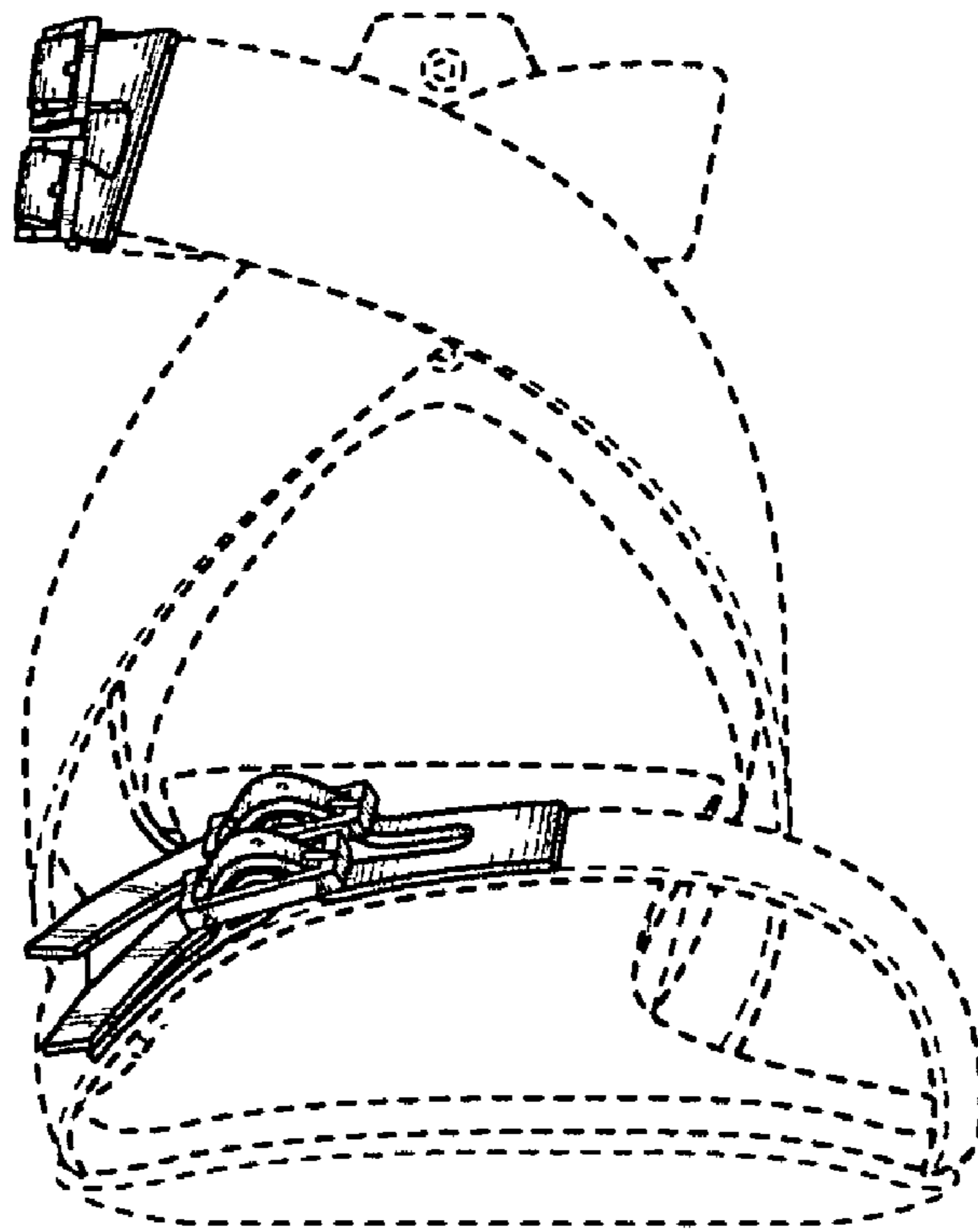


FIG. 4

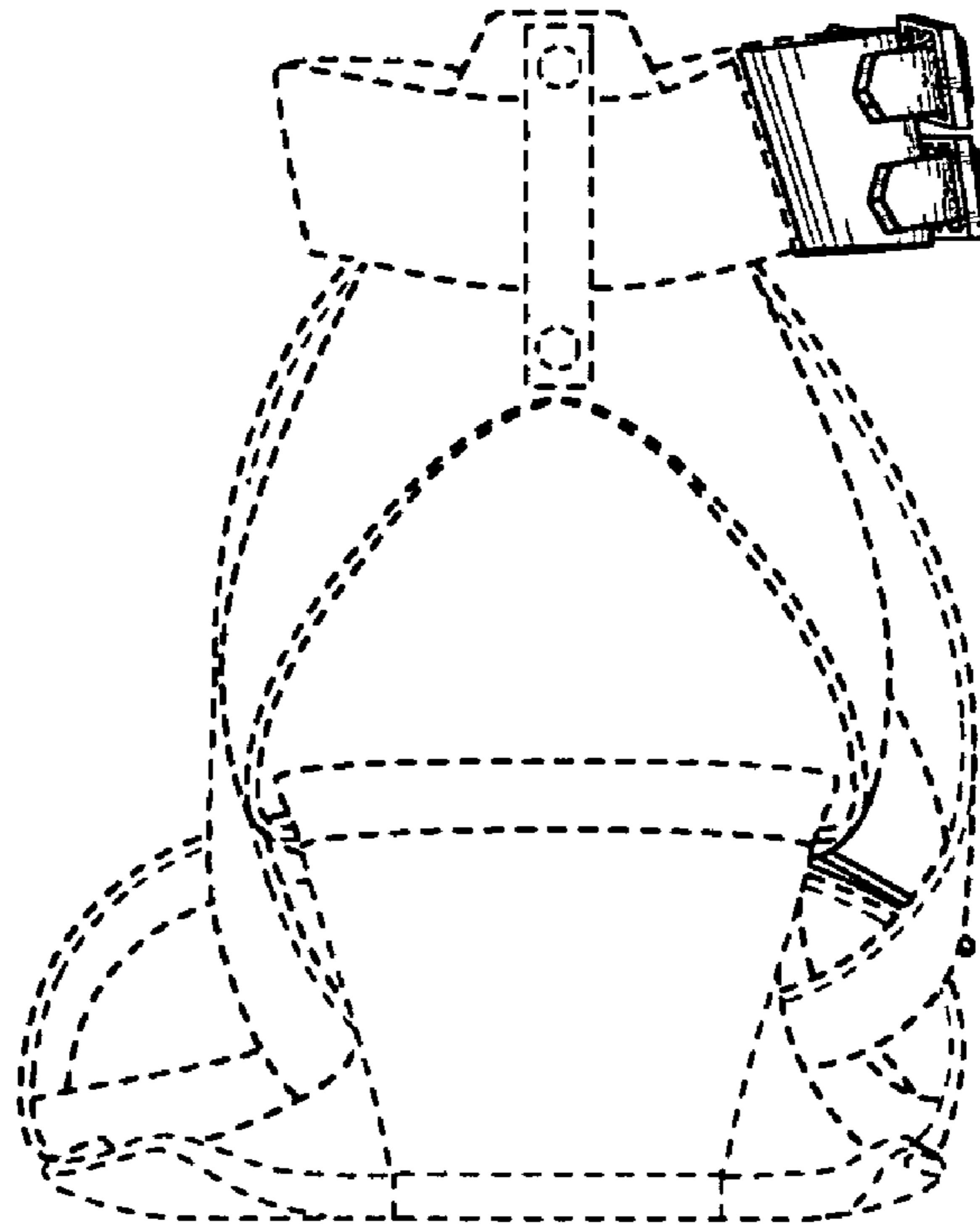


FIG. 5

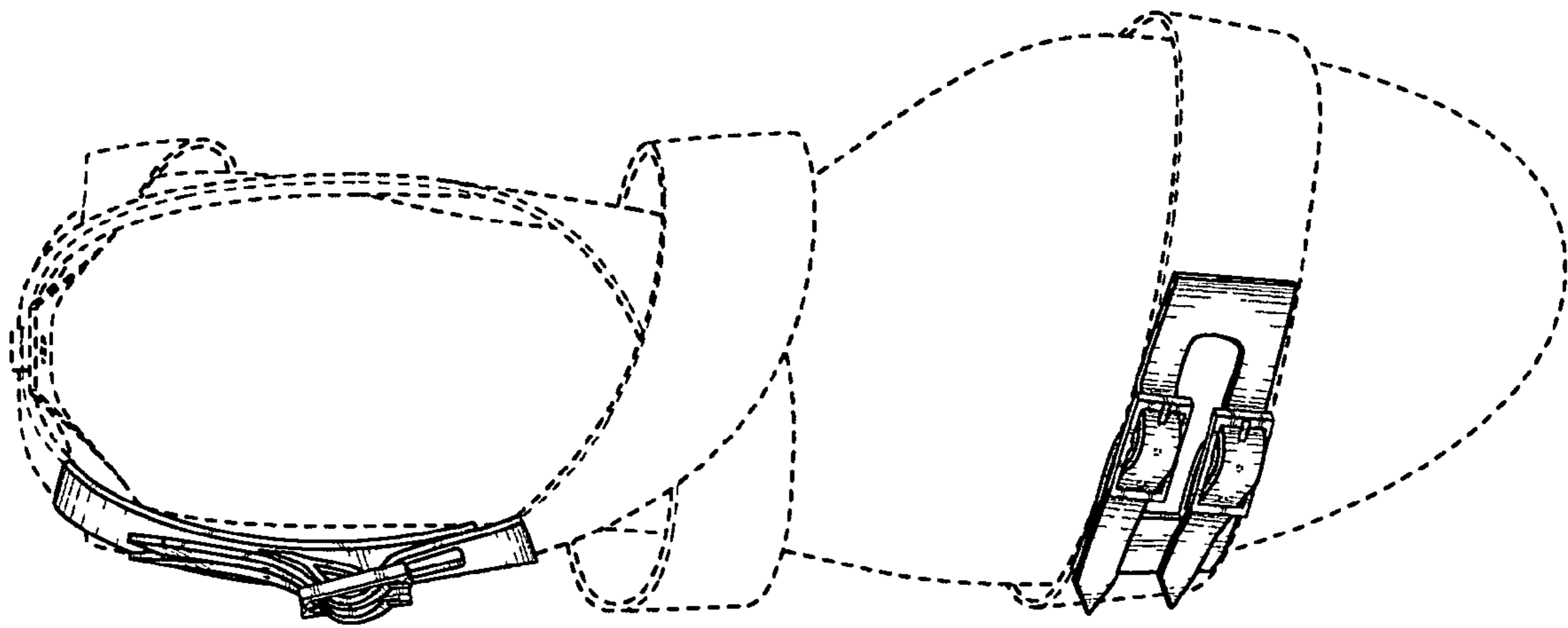


FIG. 6