



US00D589688S

(12) **United States Design Patent**  
**Turner**

(10) **Patent No.:** **US D589,688 S**  
(45) **Date of Patent:** **\*\* Apr. 7, 2009**

(54) **HAT MOUNTED PIG TAIL HOLDERS**

(76) Inventor: **Julie Turner**, 305 Deer Run Rd.,  
Branson, MO (US) 65616

(\*\*) Term: **14 Years**

(21) Appl. No.: **29/292,542**

(22) Filed: **Oct. 16, 2007**

(51) **LOC (9) Cl.** ..... **02-03**

(52) **U.S. Cl.** ..... **D2/891; D28/41**

(58) **Field of Classification Search** ..... D2/865,  
D2/866, 872, 873, 876, 879, 882, 870, 878,  
D2/880, 881, 884, 886, 891, 892, 893, 894,  
D2/895; 2/10, 12, 425, 171.4, 171.5, 174,  
2/183, 184, 209.11, 209.12, 209.13, 209.14,  
2/175.1, 175.2, 175.3, 175.4, 175.5, 195.1,  
2/195.2, 195.3, 195.6, 200.1, 200.2  
See application file for complete search history.

(56) **References Cited**

**U.S. PATENT DOCUMENTS**

D324,765	S	*	3/1992	Obergfell	.....	D2/875
5,239,705	A	*	8/1993	Leopold	.....	2/209.13
5,566,690	A	*	10/1996	Shih-Ming	.....	132/276
D379,555	S	*	5/1997	Fergusson	.....	D28/41
D391,388	S	*	3/1998	Higgins et al.	.....	D2/882
D394,136	S	*	5/1998	Richlin	.....	D2/866
5,799,334	A		9/1998	Griffith et al.		
D399,639	S	*	10/1998	Bartz	.....	D2/876
5,826,593	A	*	10/1998	Haubrich	.....	132/128
D420,207	S	*	2/2000	Barton et al.	.....	D2/889
6,076,532	A	*	6/2000	Thomas et al.	.....	132/273
6,089,240	A	*	7/2000	Chang	.....	132/273
6,295,992	B1	*	10/2001	Sapp	.....	132/200
6,941,579	B2	*	9/2005	Tanenbaum	.....	2/123
7,222,630	B2	*	5/2007	Silva	.....	132/273
7,252,092	B2	*	8/2007	Kelsey	.....	132/200
D554,800	S	*	11/2007	Moudgill	.....	D28/40
2003/0221241	A1	*	12/2003	Rivera et al.	.....	2/170
2006/0010566	A1	*	1/2006	Ridgeway	.....	2/171
2006/0191057	A1	*	8/2006	Lynn	.....	2/171

2007/0137670	A1	*	6/2007	Silva	.....	132/273
2007/0246059	A1	*	10/2007	Jensen	.....	132/273
2007/0250987	A1	*	11/2007	Adkins	.....	2/209.3
2008/0022442	A1	*	1/2008	Shaver	.....	2/424
2008/0092272	A1	*	4/2008	Vainio et al.	.....	2/209.7
2008/0149130	A1	*	6/2008	Brown	.....	132/279
2008/0156340	A1	*	7/2008	Hopper et al.	.....	2/170

\* cited by examiner

*Primary Examiner*—Elizabeth A Albert

*Assistant Examiner*—Karen E Eldridge Powers

(74) *Attorney, Agent, or Firm*—Lathrop & Gage LLP

(57) **CLAIM**

An ornamental design for hat mounted pig tail holders, as shown and described.

**DESCRIPTION**

FIG. 1 is a perspective view of the hat mounted pig tail holders;

FIG. 2 is a front elevation view of the hat mounted pig tail holders;

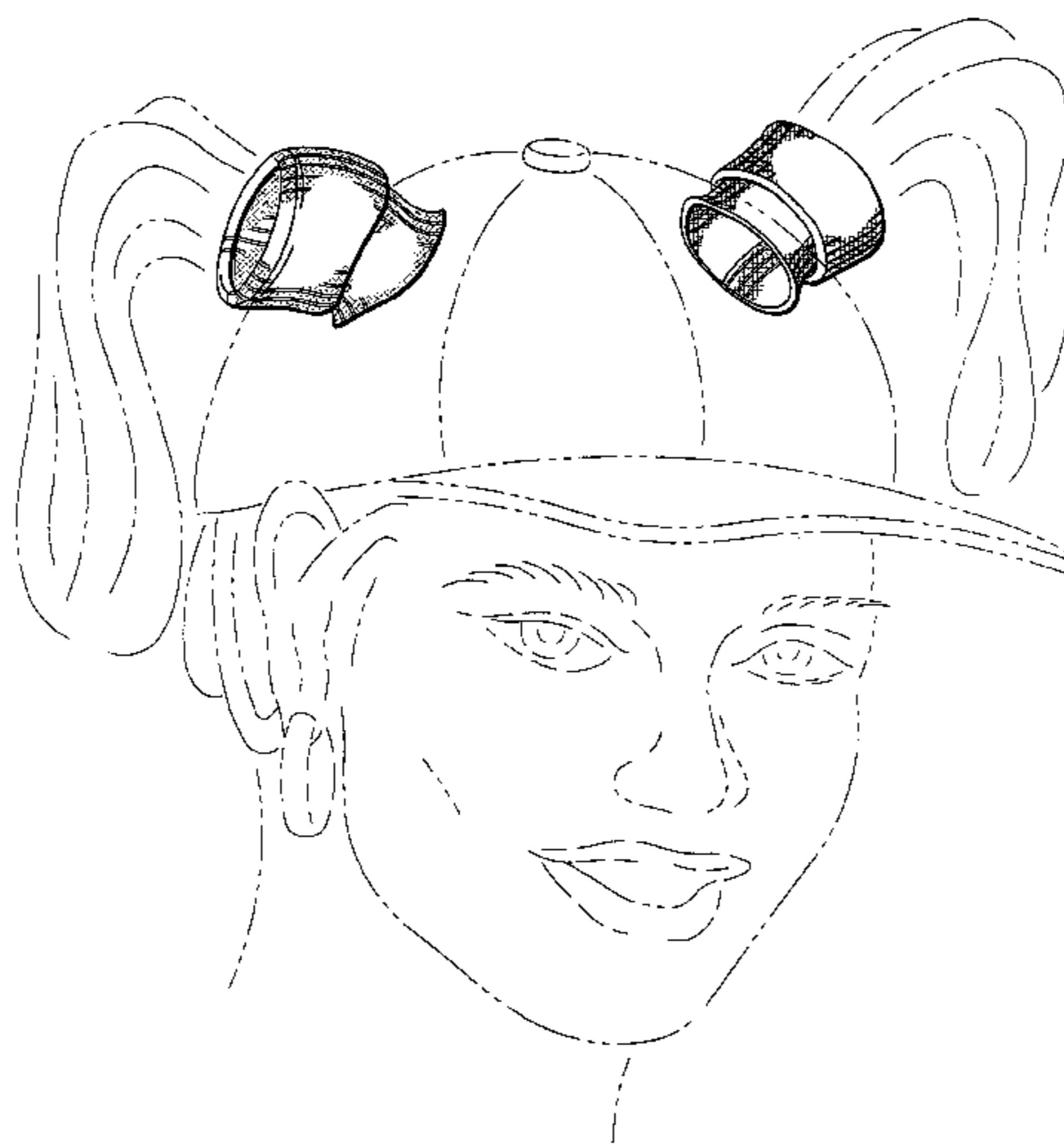
FIG. 3 is a side elevation view of one of the hat mounted pig tail holders, the opposite side view being a mirror reflection thereof;

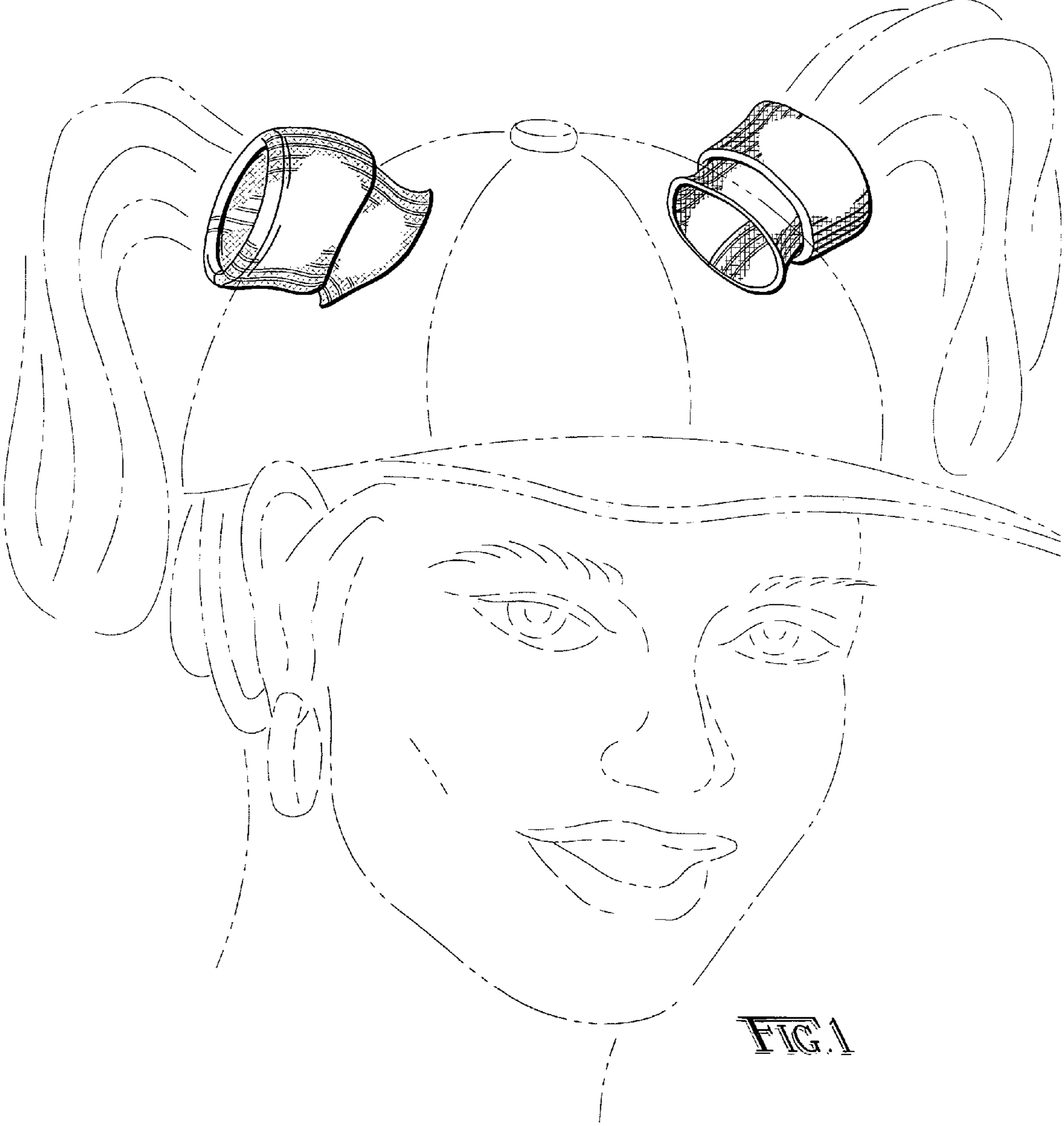
FIG. 4 is a top plan view of the hat mounted pig tail holders; and,

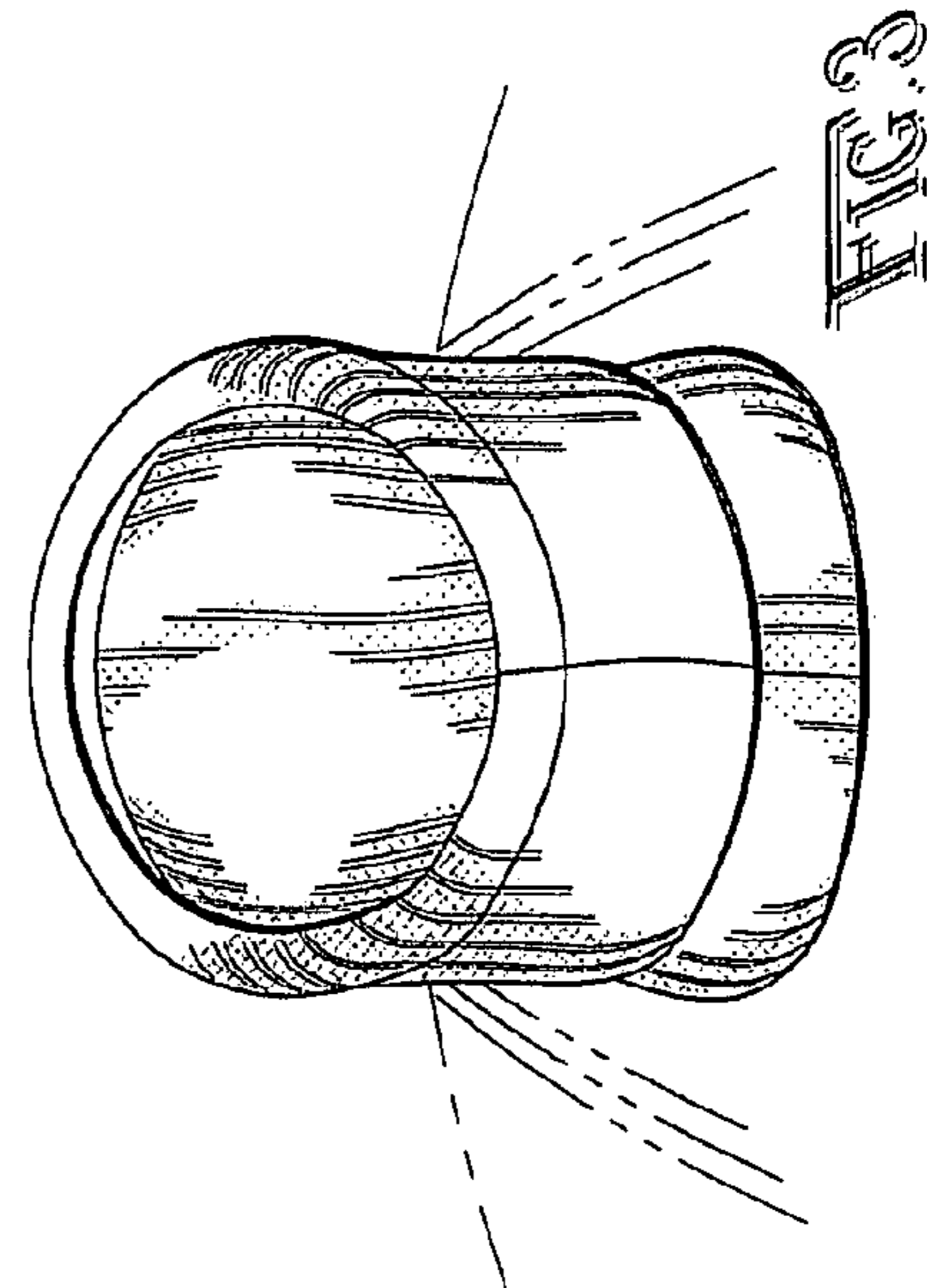
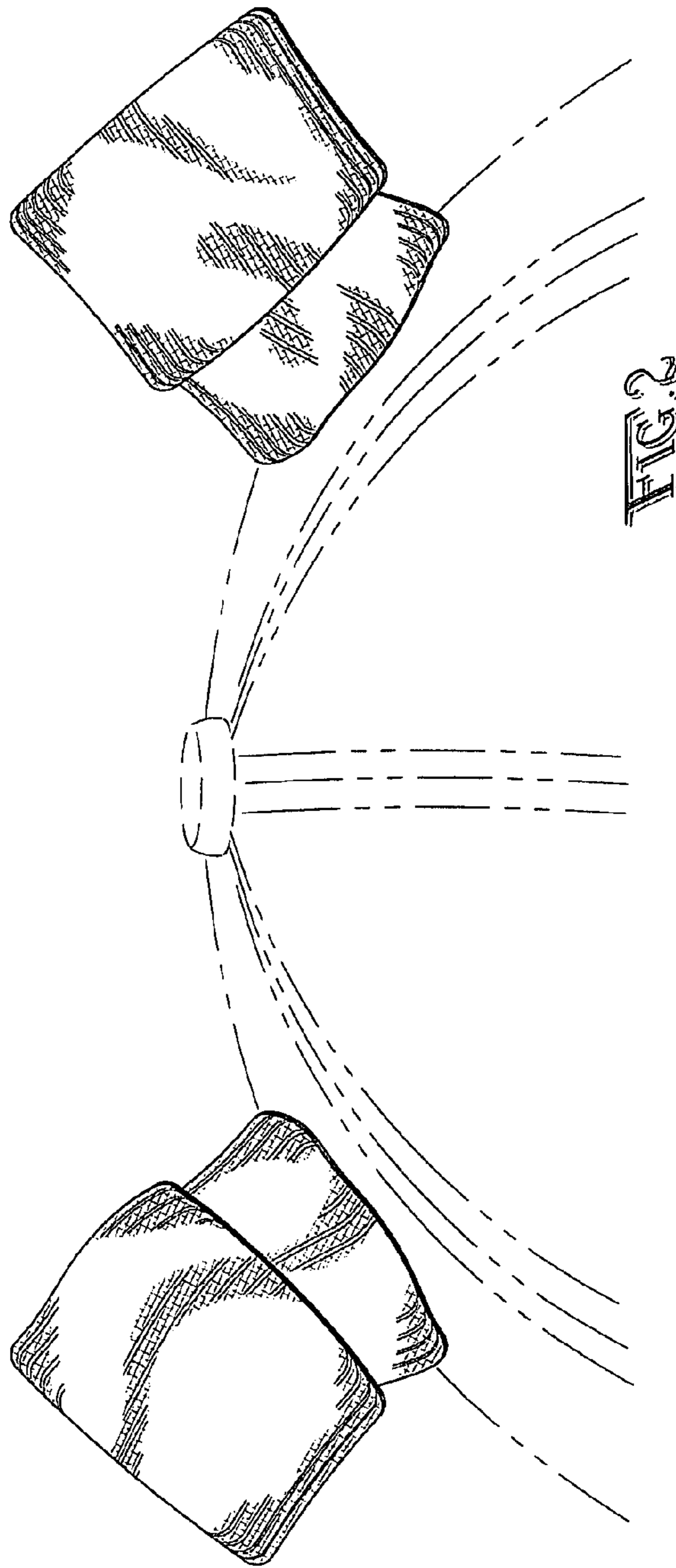
FIG. 5 is a bottom plan view of the hat mounted pig tail holders.

The broken lines of a baseball-style cap, a woman's head, neck and shoulders shown in FIG. 1, as well as the groups of arcs radiating from the claimed design shown in FIGS. 2–5, illustrate environmental matter and form no part of the claimed design. The small areas comprised of a fine cross-hatched pattern interspersed between ribbing, although shown intermittently, are meant to represent texture, and are understood to be distributed uniformly over the surfaces of the claimed design.

**1 Claim, 4 Drawing Sheets**









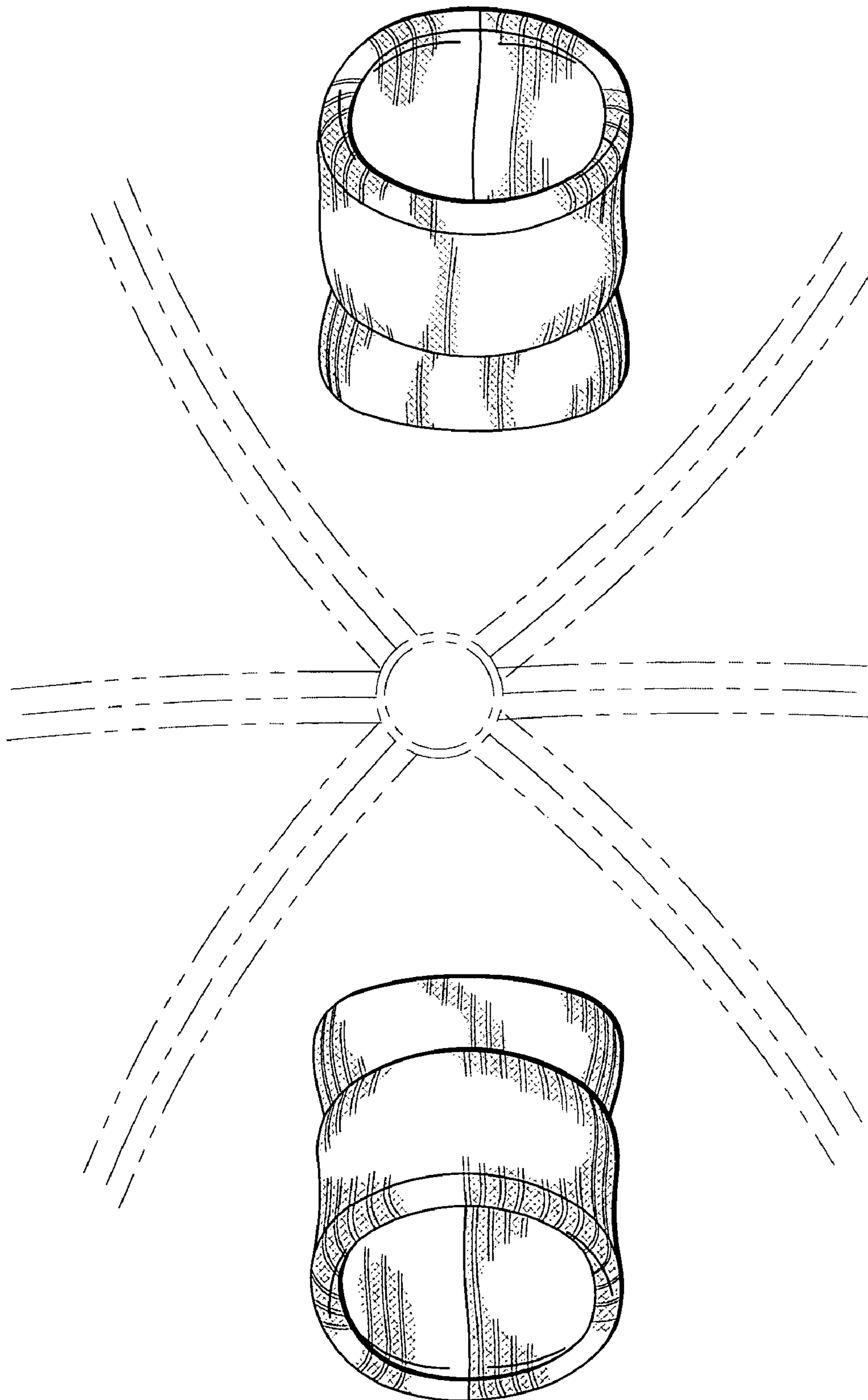


FIG. 4

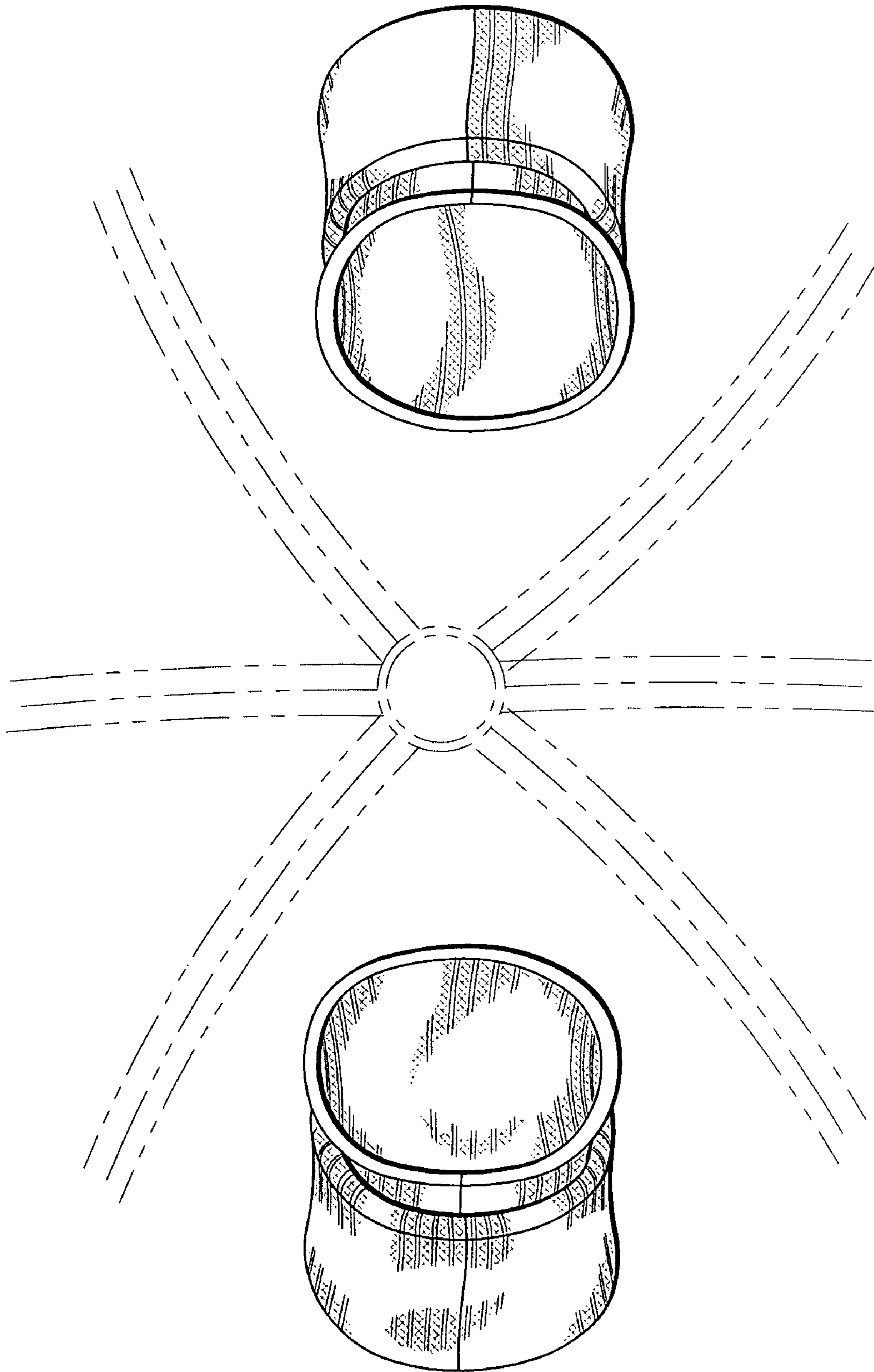


FIG. 5