



US00D589687S

(12) **United States Design Patent**
Hoepfner

(10) **Patent No.:** **US D589,687 S**

(45) **Date of Patent:** **** Apr. 7, 2009**

(54) **HEADWEAR BEANIE**

(76) **Inventor:** **Reed M. Hoepfner**, 22615 Anza Ave.,
Torrance, CA (US) 90505

(**) **Term:** **14 Years**

(21) **Appl. No.:** **29/293,710**

(22) **Filed:** **Dec. 10, 2007**

(51) **LOC (9) Cl.** **02-03**

(52) **U.S. Cl.** **D2/878**

(58) **Field of Classification Search** D2/865,
D2/866, 871, 872, 873, 875, 876, 877, 879,
D2/880, 881, 882, 884, 886, 887, 889, 891,
D2/892, 893, 895; D16/900; 2/10, 171,
2/171.1, 171.5, 171.6, 171.7, 171.8, 172,
2/175.1, 175.3, 175.6, 195.1, 195.2, 195.4,
2/195.7, 195.8, 209.12, 209.13, 209.14

See application file for complete search history.

(56) **References Cited**

U.S. PATENT DOCUMENTS

D65,788 S *	10/1924	Susman	D2/888
1,531,394 A *	3/1925	Hart	2/68
1,613,675 A *	1/1927	Peedie	2/182.1
D78,601 S *	5/1929	Adams	D2/880
D87,999 S *	10/1932	Marshall	D2/879
1,890,055 A *	12/1932	Grumbach	66/172 R
1,904,108 A *	4/1933	Walsh	2/195.7
D173,620 S *	12/1954	Krieger et al.	D2/876
2,864,383 A *	12/1958	Jacks et al.	132/273
3,139,014 A *	6/1964	Byrne	396/425
3,340,542 A *	9/1967	Greenwald	2/209.11
D231,503 S *	4/1974	Potter	D2/889
D277,426 S *	2/1985	Eisinger	D2/879
5,309,574 A *	5/1994	Balaban et al.	2/202
5,321,854 A *	6/1994	Kronenberger	
D359,155 S *	6/1995	Loveless et al.	D2/889

5,511,249 A *	4/1996	Higgins	2/209.7
5,644,799 A *	7/1997	Armenta	
D402,414 S *	12/1998	Smith	D29/106
5,907,871 A *	6/1999	Austin	2/209.12
5,933,872 A *	8/1999	Lema	2/209.7
D424,743 S *	5/2000	Winter	D28/41
D482,186 S *	11/2003	Pytanowski	
6,711,749 B2 *	3/2004	White et al.	2/195.8
D522,215 S *	6/2006	Rothschild	D2/866
D546,031 S *	7/2007	Pearson et al.	D2/876
D564,183 S *	3/2008	Roach et al.	D2/865
2003/0009813 A1 *	1/2003	Dreher	2/171
2004/0006809 A1 *	1/2004	Crenshaw et al.	2/209.3
2006/0191057 A1 *	8/2006	Lynn	2/171

* cited by examiner

Primary Examiner—Elizabeth A Albert
Assistant Examiner—Karen E Eldridge Powers

(57) **CLAIM**

The ornamental design for a headwear beanie, as shown and described.

DESCRIPTION

FIG. 1 is a perspective view of a headwear beanie showing my new design;

FIG. 2 is a right side elevational view thereof;

FIG. 3 is a top plan view thereof;

FIG. 4 is a left side elevational thereof;

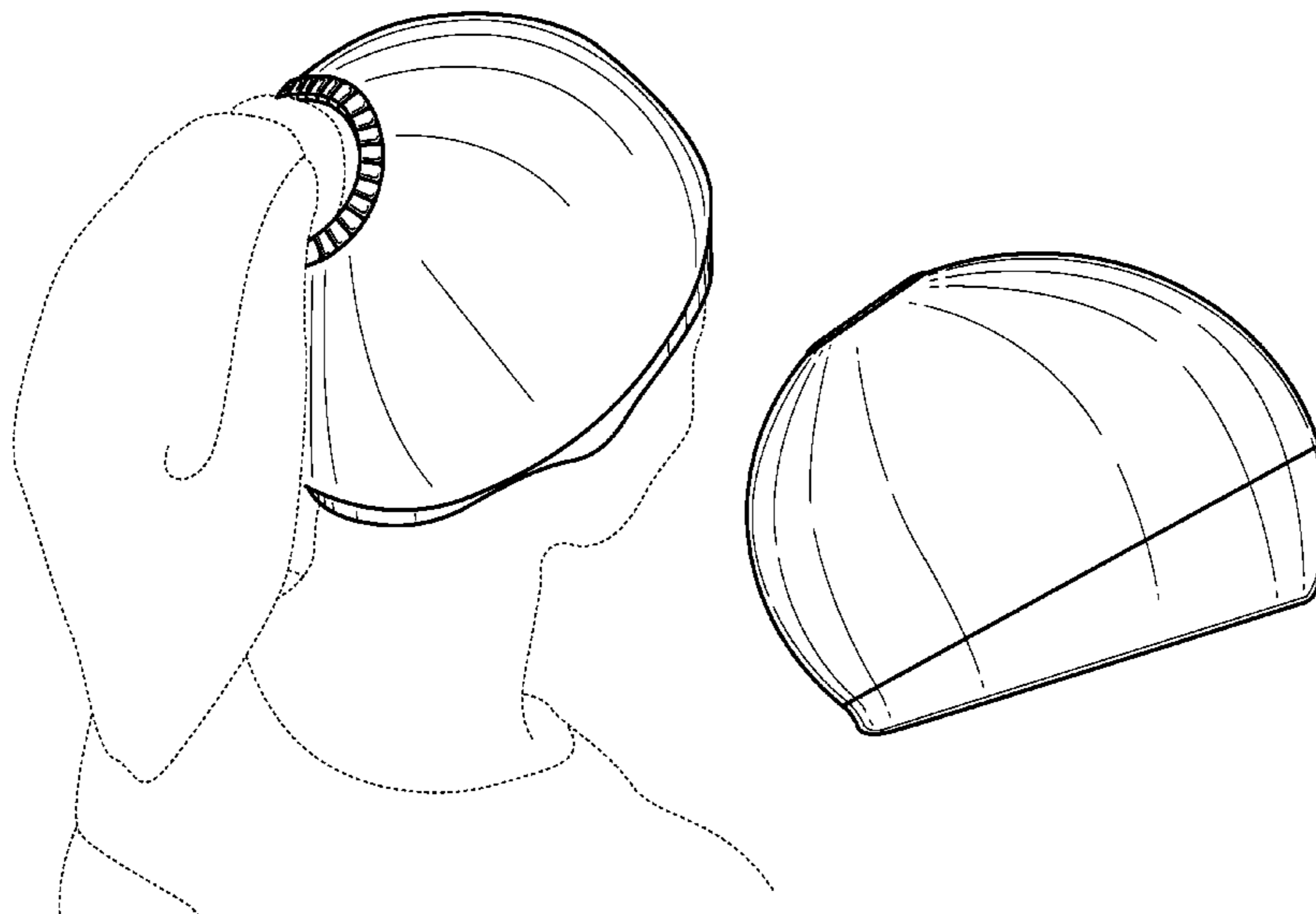
FIG. 5 is a bottom plan view thereof;

FIG. 6 is a rear elevational view thereof; and,

FIG. 7 is a front elevational view thereof.

The broken line showing of a woman's ponytail, head, neck and shoulders in FIG. 1 is environmental matter and forms no part of the claimed design.

1 Claim, 4 Drawing Sheets



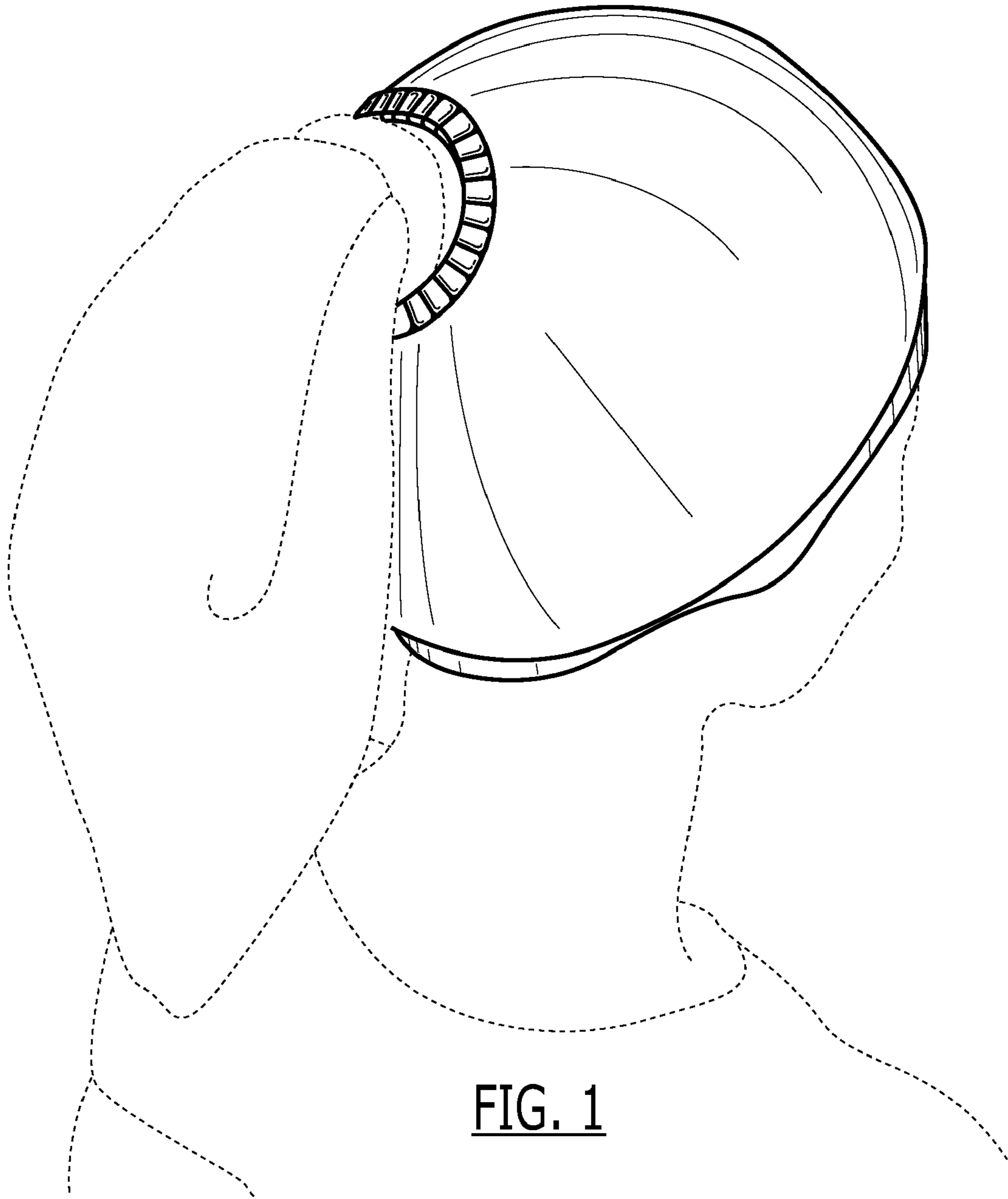


FIG. 1

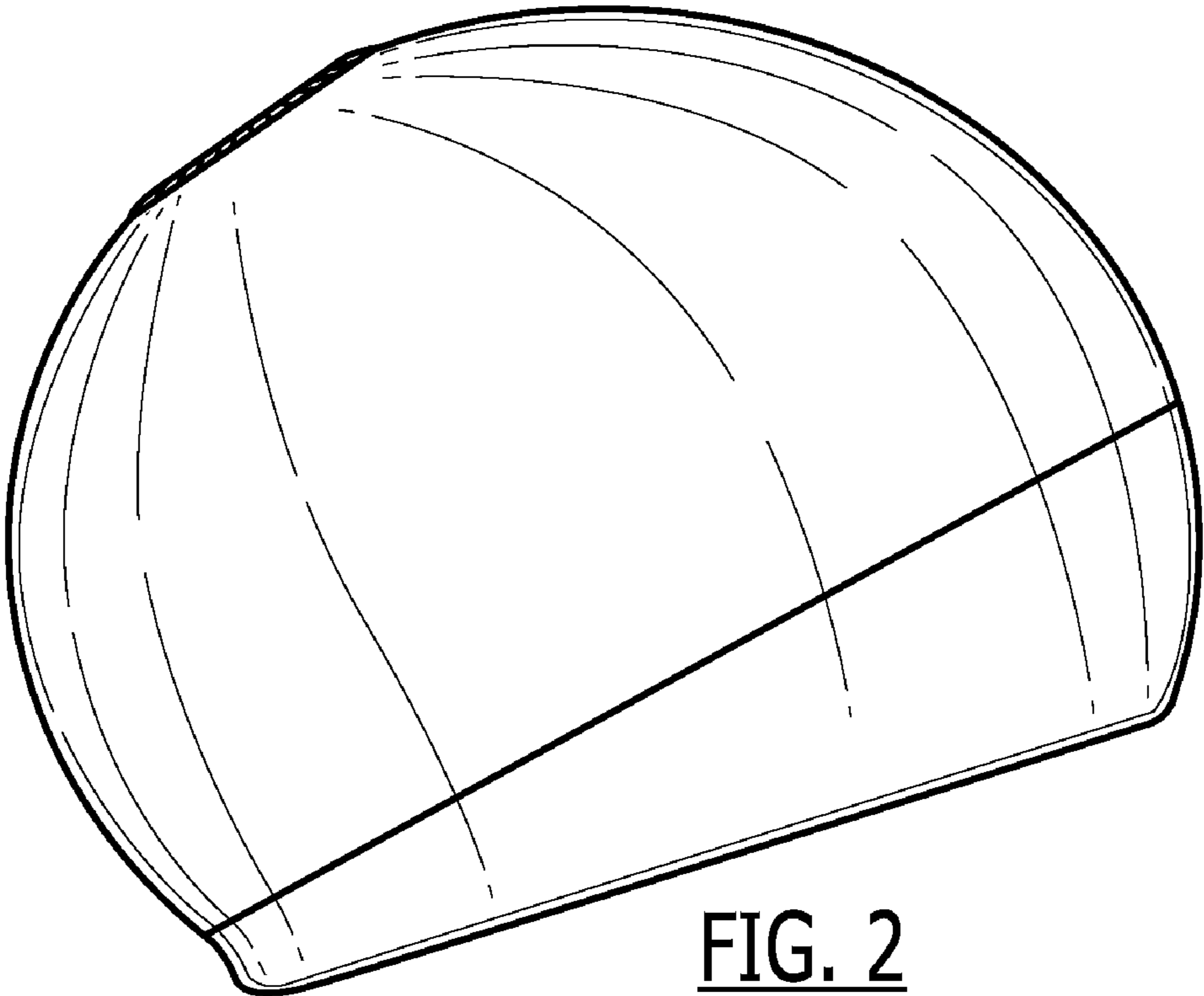


FIG. 2

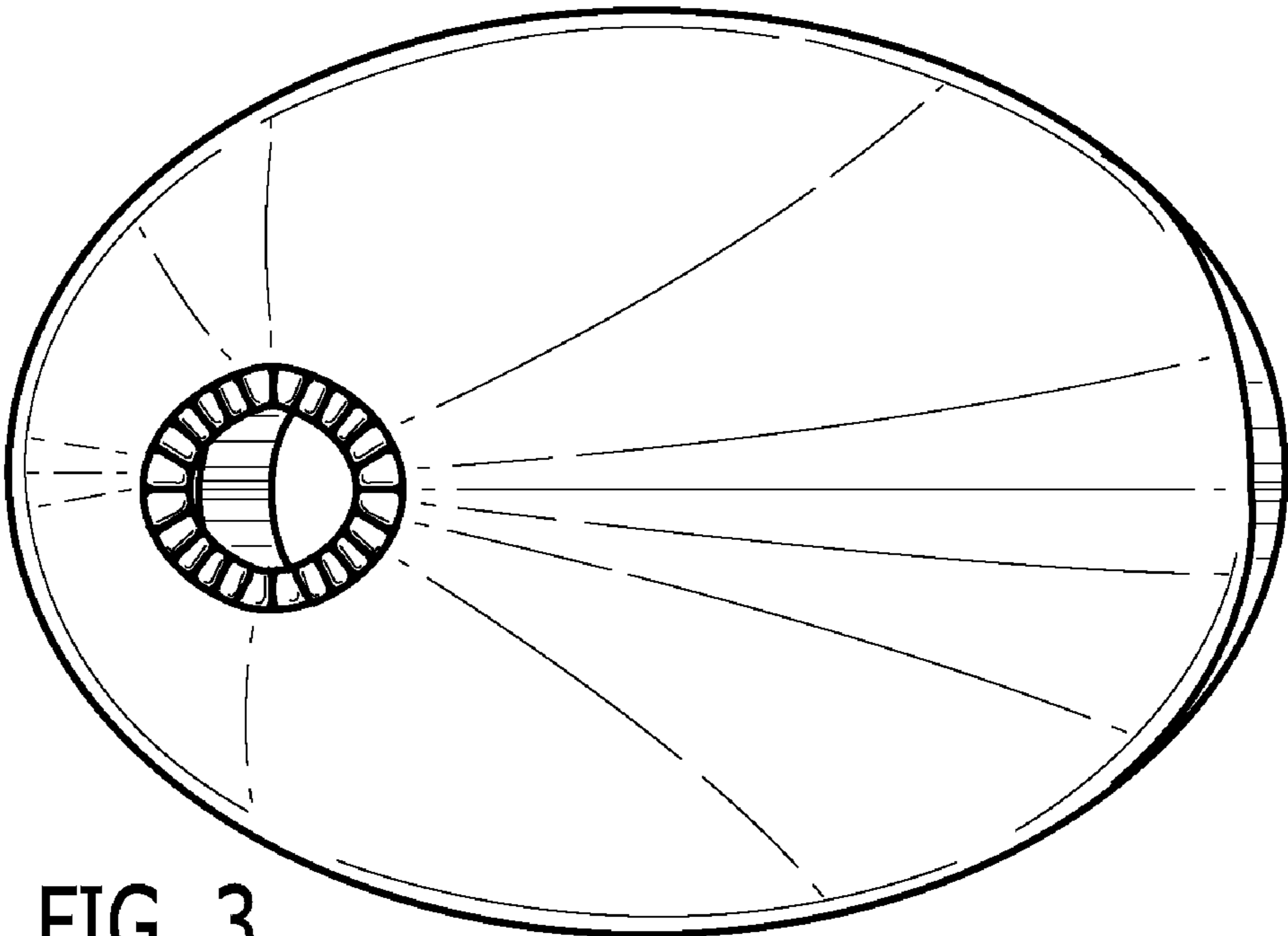


FIG. 3

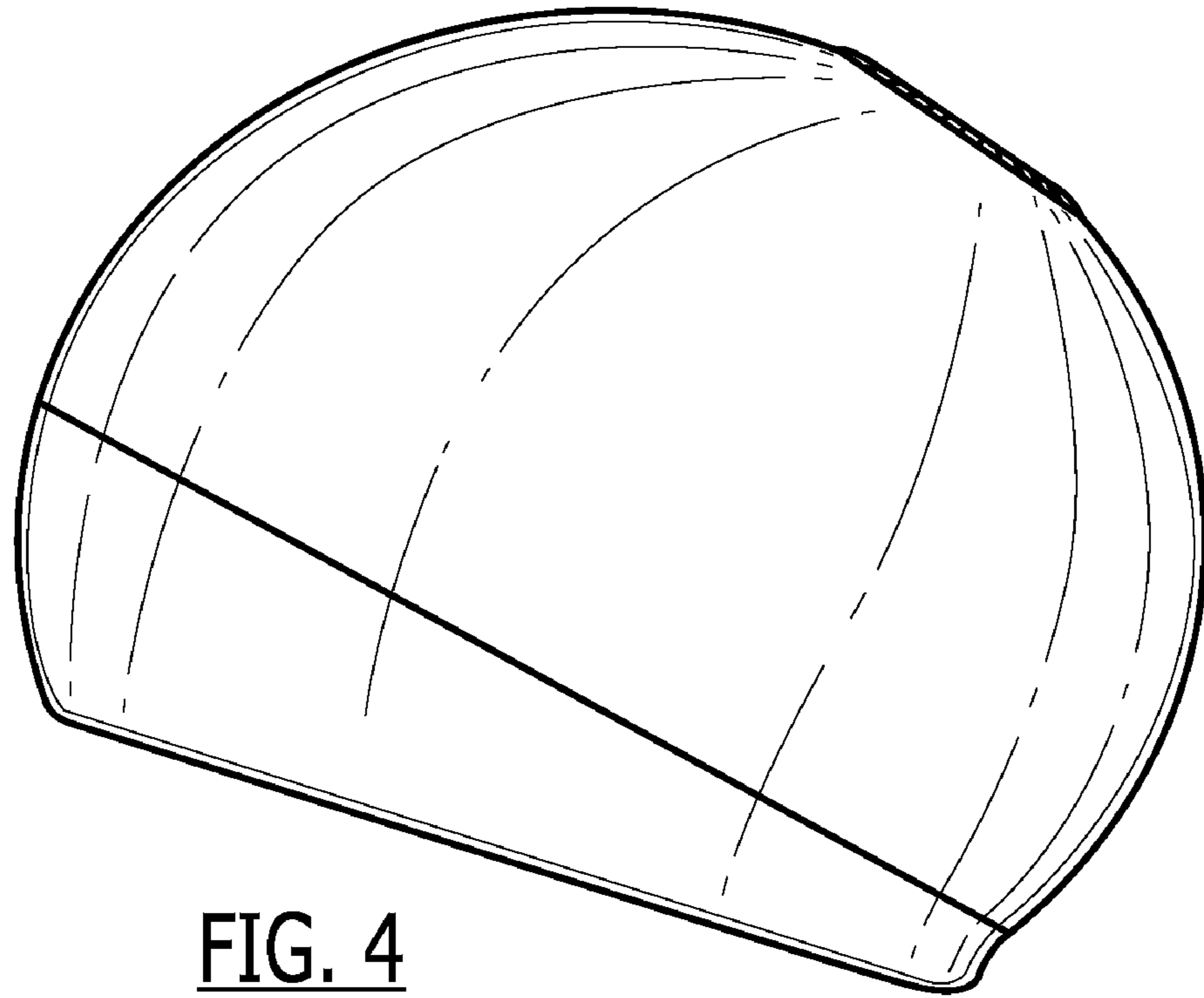


FIG. 4

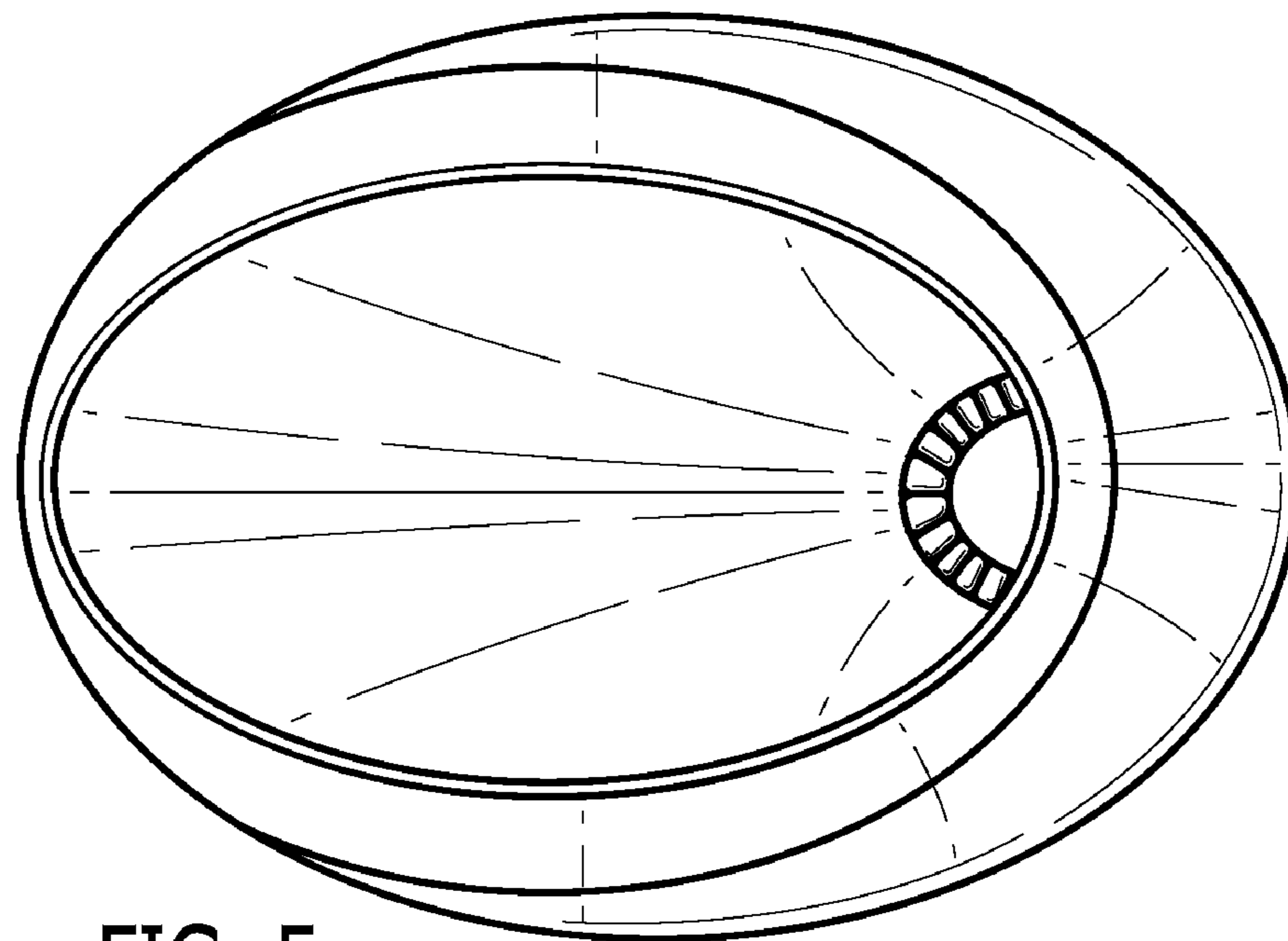


FIG. 5

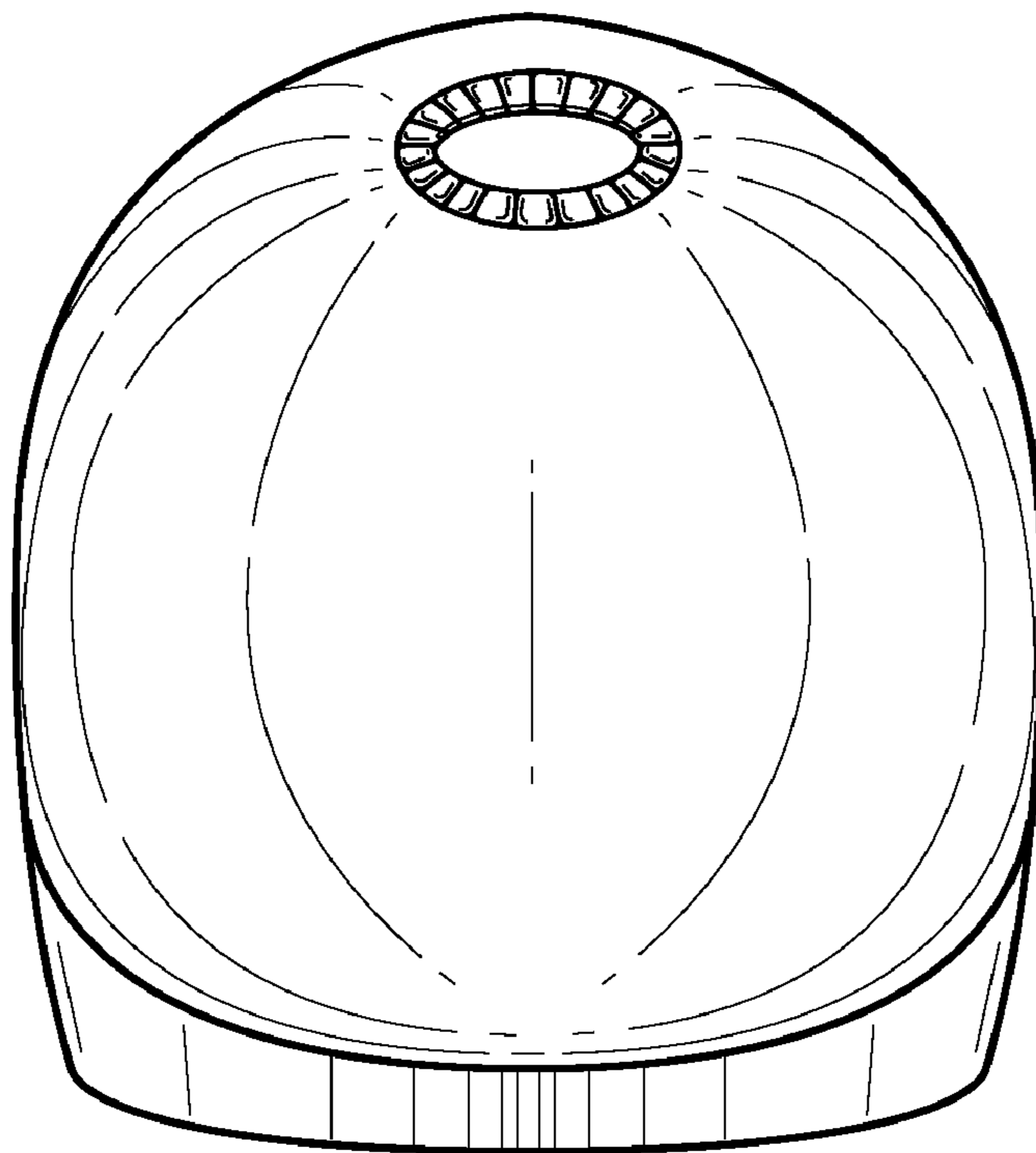


FIG. 6

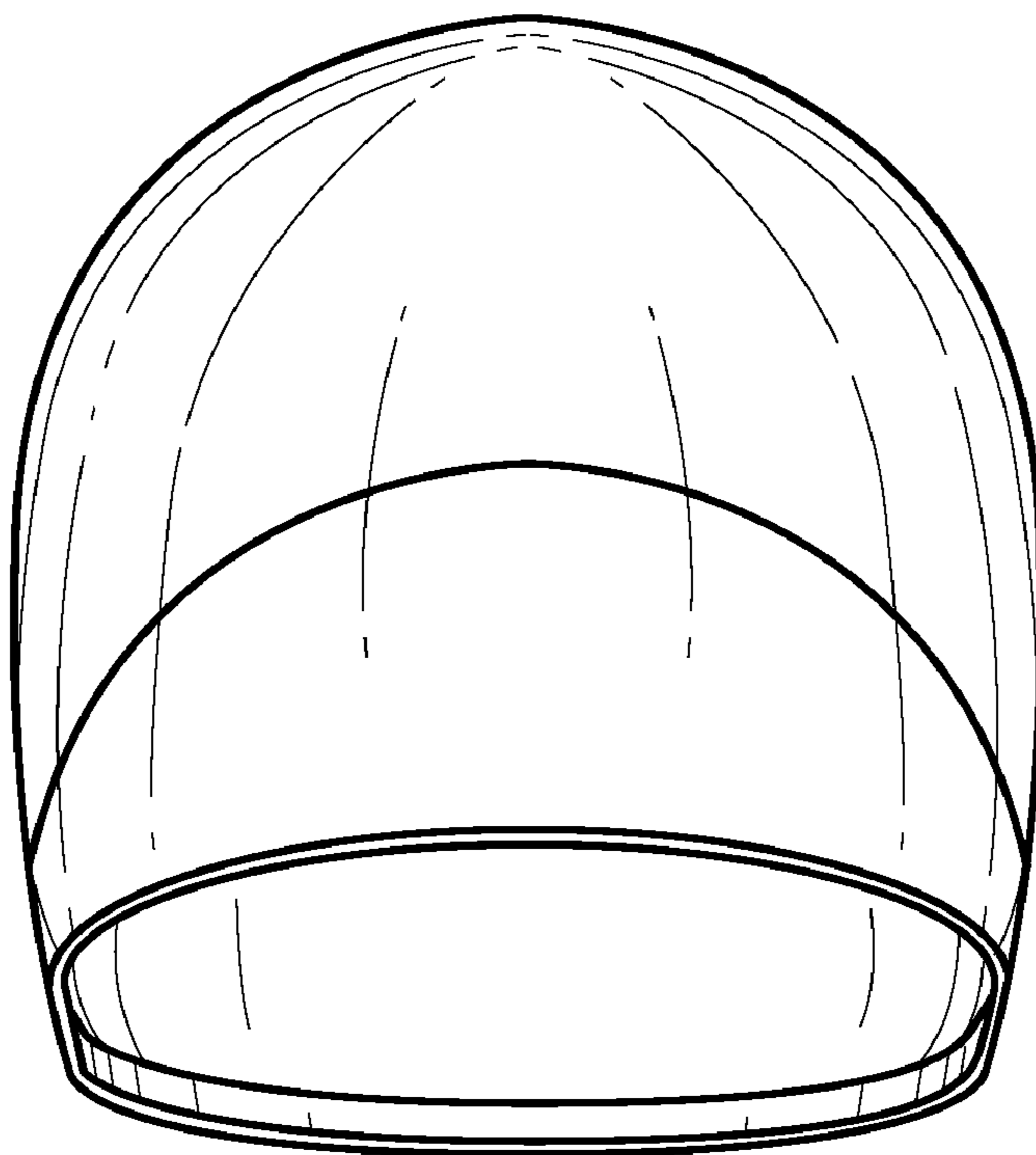


FIG. 7