



US00D589675S

(12) **United States Design Patent**
McFadden et al.

(10) **Patent No.:** **US D589,675 S**
(45) **Date of Patent:** **** Mar. 31, 2009**

(54) **MAILBOX WITH STORAGE COMPARTMENT**

(76) Inventors: **Charles O. McFadden**, 402 W. Parkway, Flint, MI (US) 48505;
Charlynta D. McFadden, 1205 E. Piper Ave., Flint, MI (US) 48505

(**) Term: **14 Years**

(21) Appl. No.: **29/310,460**

(22) Filed: **Aug. 20, 2008**

(51) **LOC (9) Cl.** **25-03**

(52) **U.S. Cl.** **D99/32**

(58) **Field of Classification Search** D99/28–33,
D99/43, 99; 232/17, 21, 28, 33–35, 38–39,
232/42, 43.1–43.3, 45, 47; D20/29, 36; D8/305–307,
D8/313–320; D3/270, 272, 294; D11/165,
D11/166; 220/830

See application file for complete search history.

(56) **References Cited**

U.S. PATENT DOCUMENTS

524,637	A *	8/1894	Johnson	232/24
1,199,136	A *	9/1916	Westphaln	232/19
4,844,332	A *	7/1989	Long	232/17
5,096,115	A *	3/1992	Hassan	232/17
5,148,974	A *	9/1992	Clapper	232/17
5,351,883	A *	10/1994	Pachl	232/17
D354,610	S *	1/1995	Hassan	D99/29
D377,256	S *	1/1997	Parrish, Jr.	D99/32
D398,134	S *	9/1998	Taylor	D99/29
5,806,759	A *	9/1998	Axisa	232/44
5,833,132	A *	11/1998	Bachmeier	232/47

6,247,642	B1 *	6/2001	Wilson, Jr.	232/47
6,375,071	B1 *	4/2002	Kim	232/47
D468,887	S *	1/2003	Shreve	D99/29
6,533,167	B2 *	3/2003	Hassan	232/45
6,722,561	B1 *	4/2004	Thomas et al.	232/39
6,953,149	B2 *	10/2005	Taylor	232/45
7,036,719	B1 *	5/2006	Helphrey et al.	232/47
2002/0063148	A1 *	5/2002	Cox et al.	232/47
2002/0066779	A1 *	6/2002	Hassan	232/45
2003/0024973	A1 *	2/2003	Cox et a.	232/45
2003/0218059	A1 *	11/2003	Hassan	232/45
2008/0116253	A1 *	5/2008	Gantt	232/38

* cited by examiner

Primary Examiner—Robert M Spear
Assistant Examiner—Susan E Krakower
(74) *Attorney, Agent, or Firm*—Richard L. Mikesell

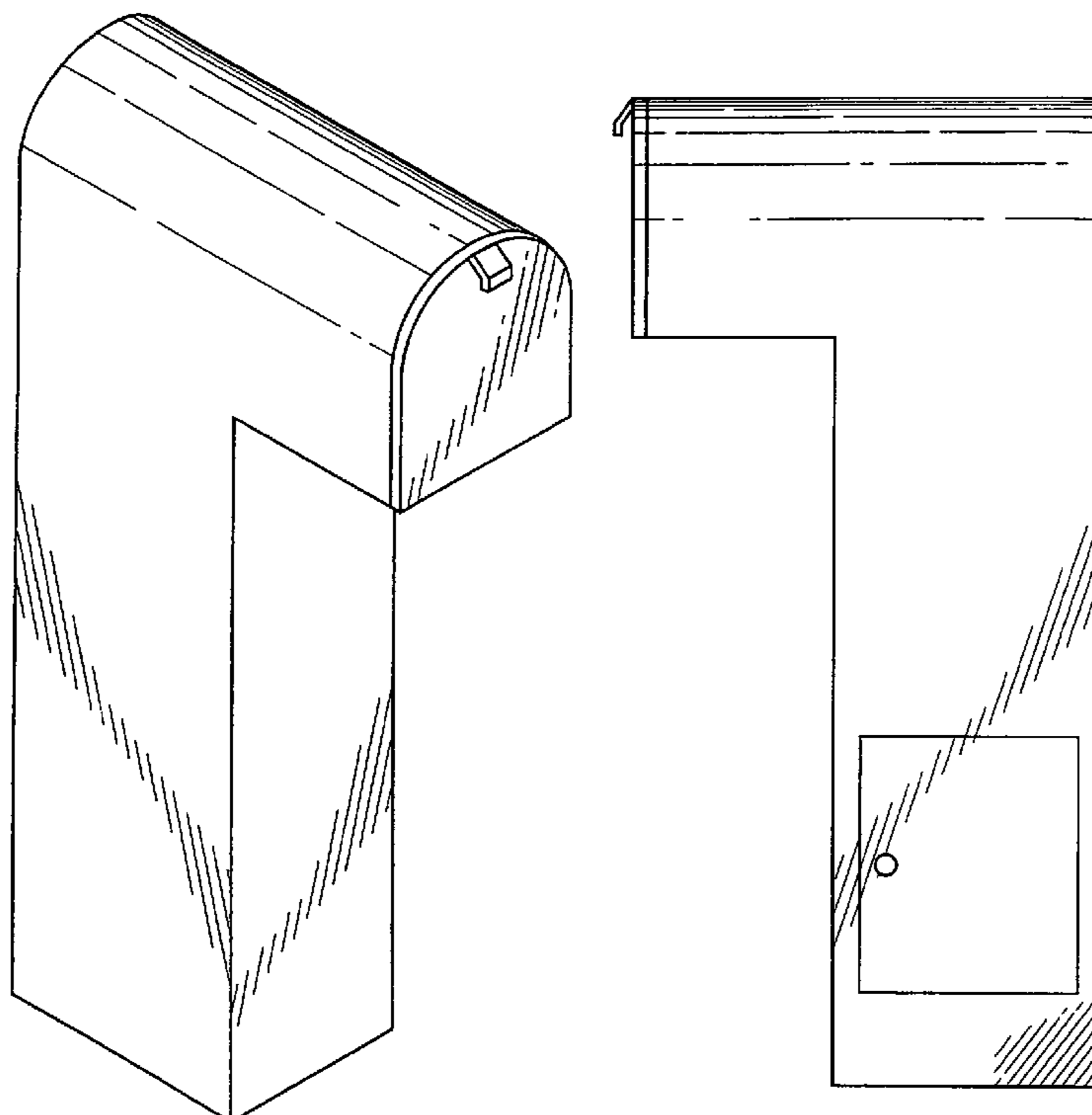
(57) **CLAIM**

The ornamental design for a mailbox with storage compartment, as shown and described.

DESCRIPTION

- FIG. 1: Top left perspective view;
- FIG. 2: Left side view;
- FIG. 3: Right side view;
- FIG. 4: Bottom view;
- FIG. 5: Top view;
- FIG. 6: Rear view; and,
- FIG. 7: Front view.

1 Claim, 3 Drawing Sheets



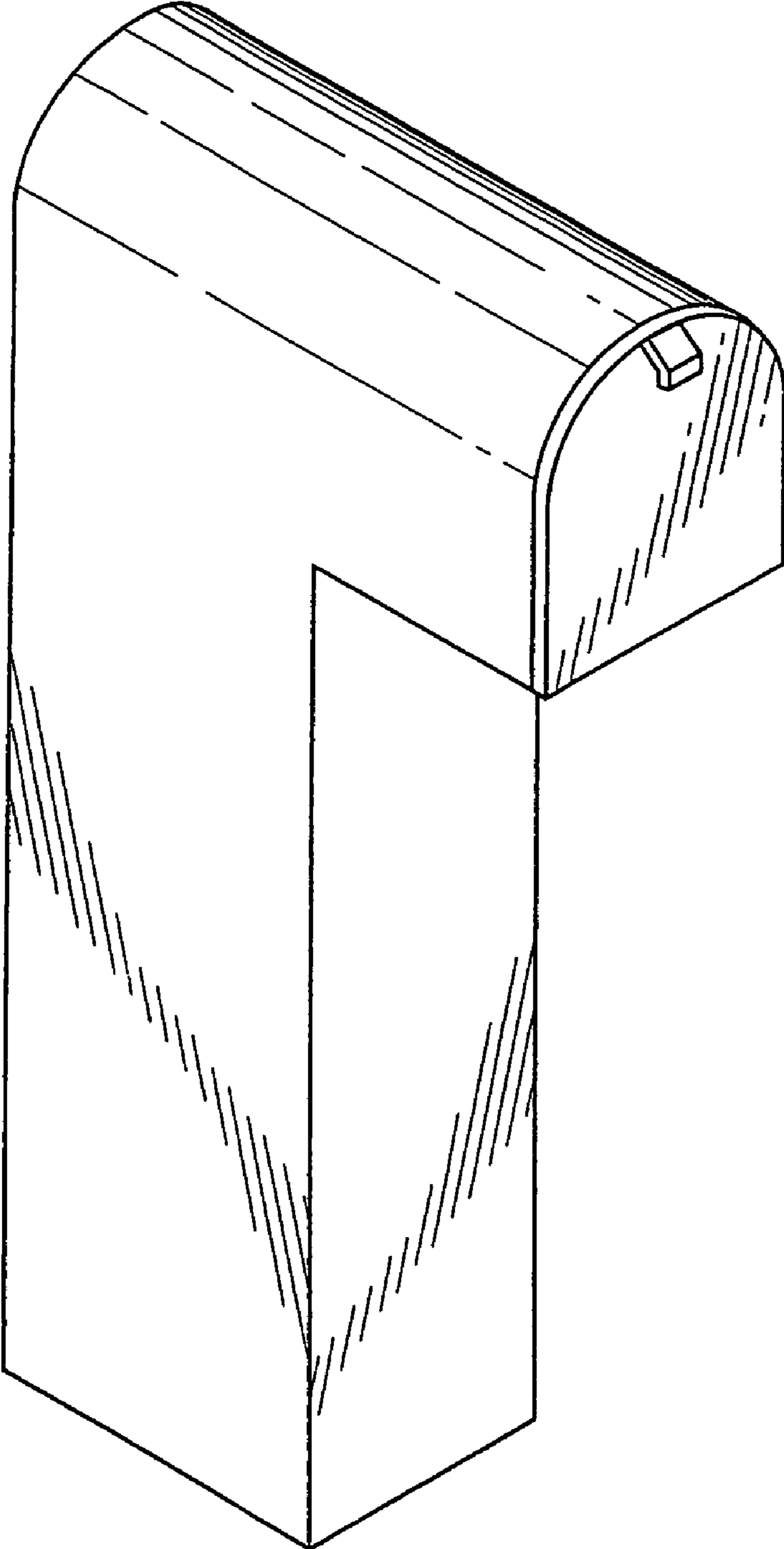


Fig. 1

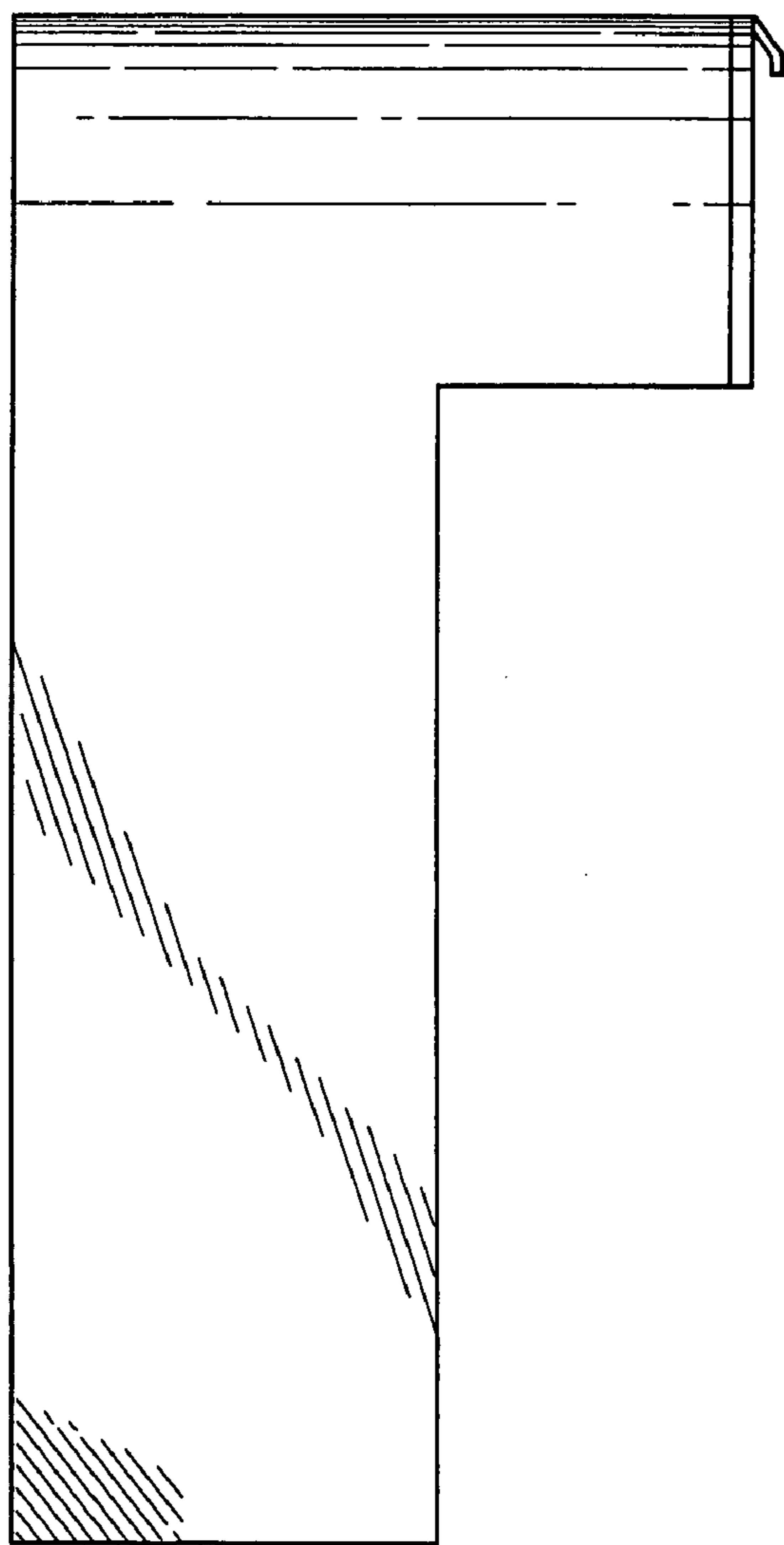


Fig. 2

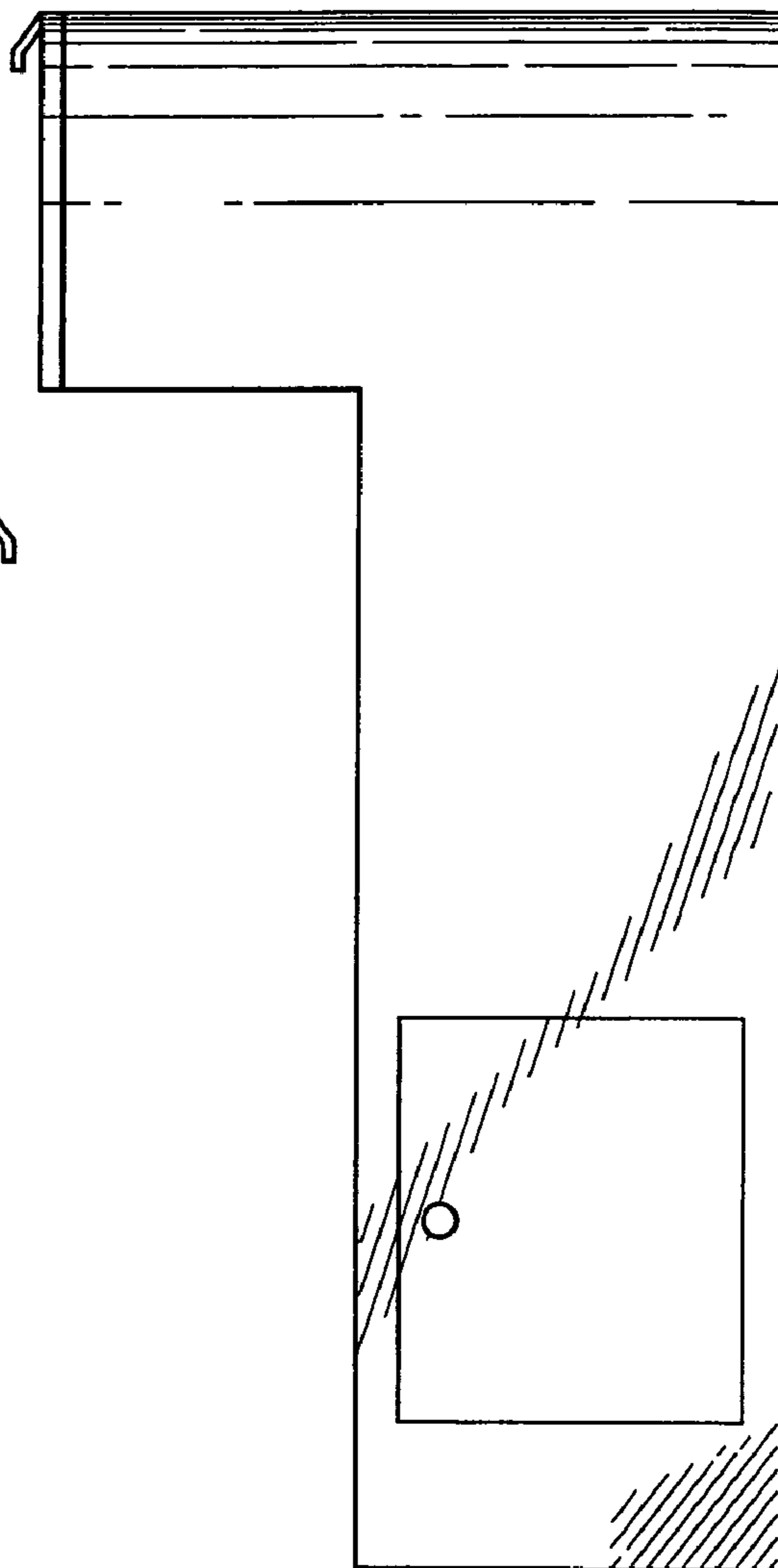


Fig. 3

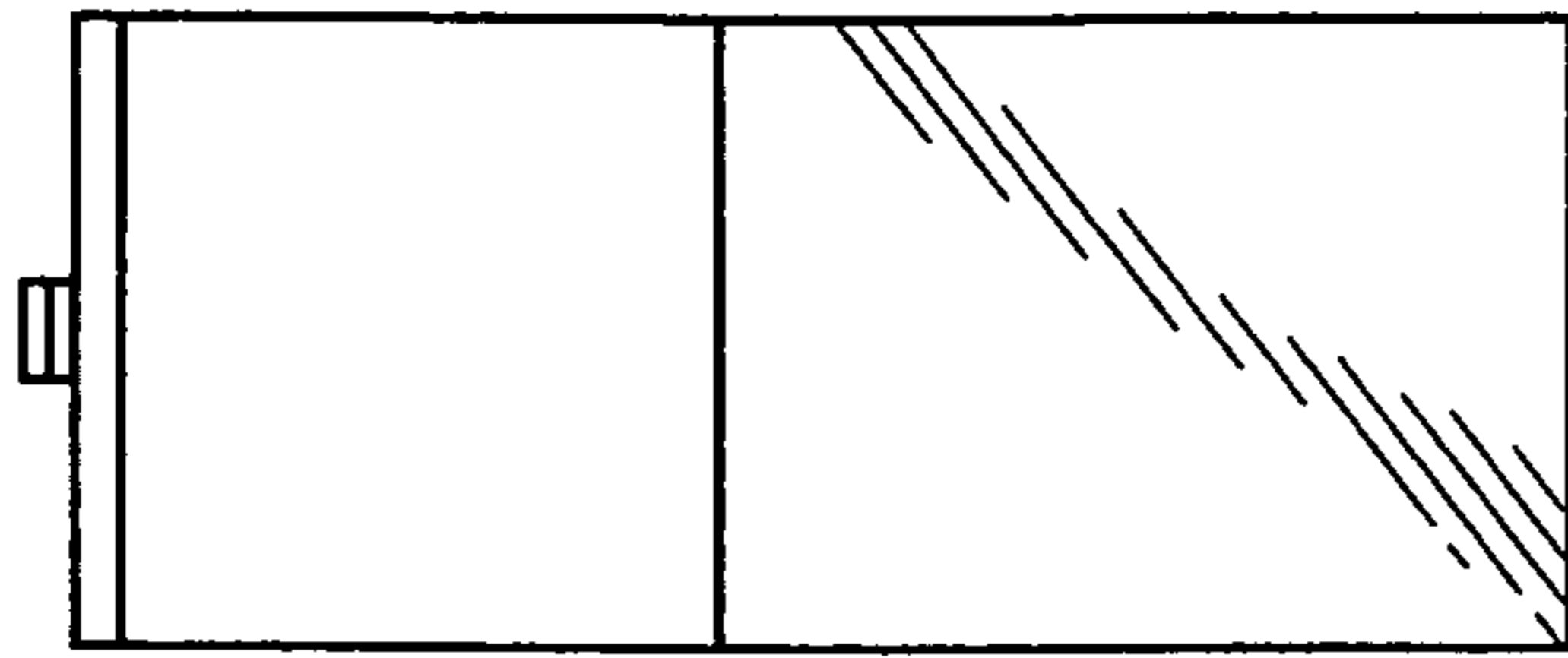


Fig. 4

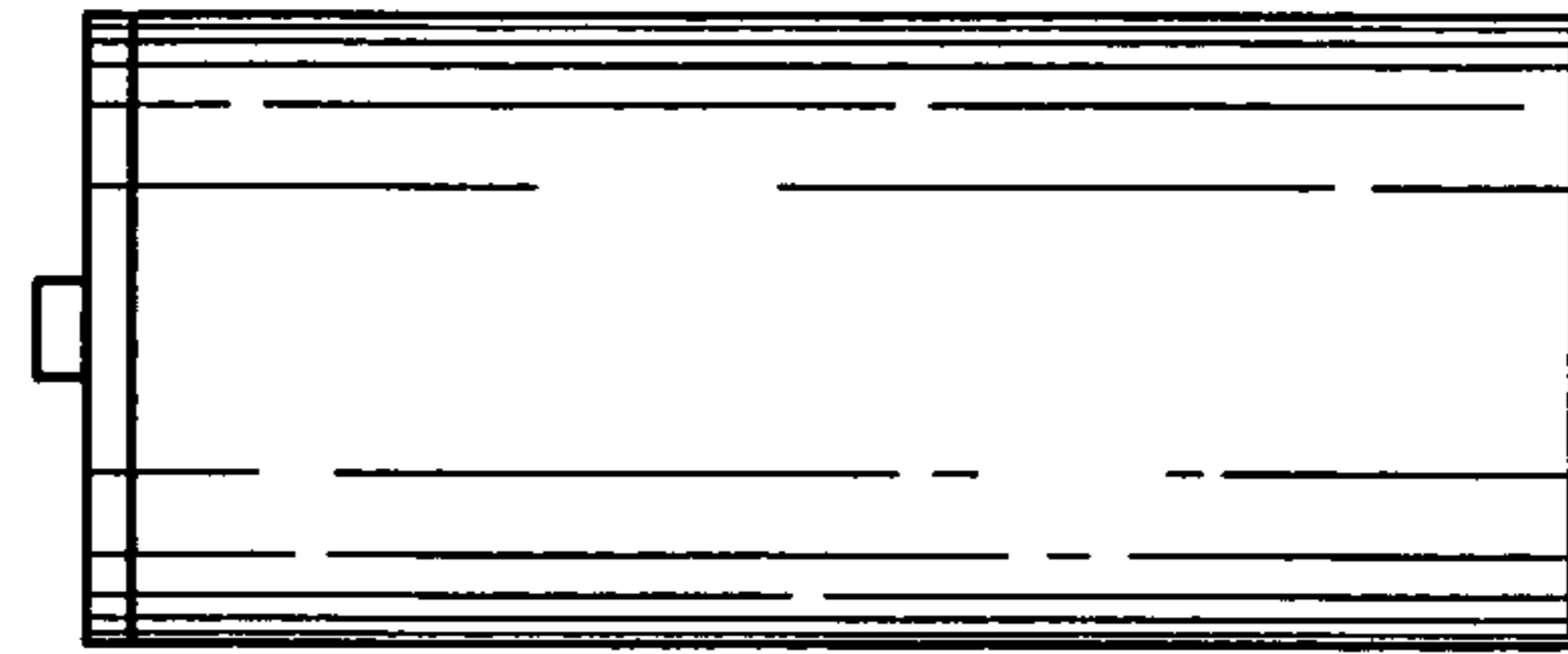


Fig. 5

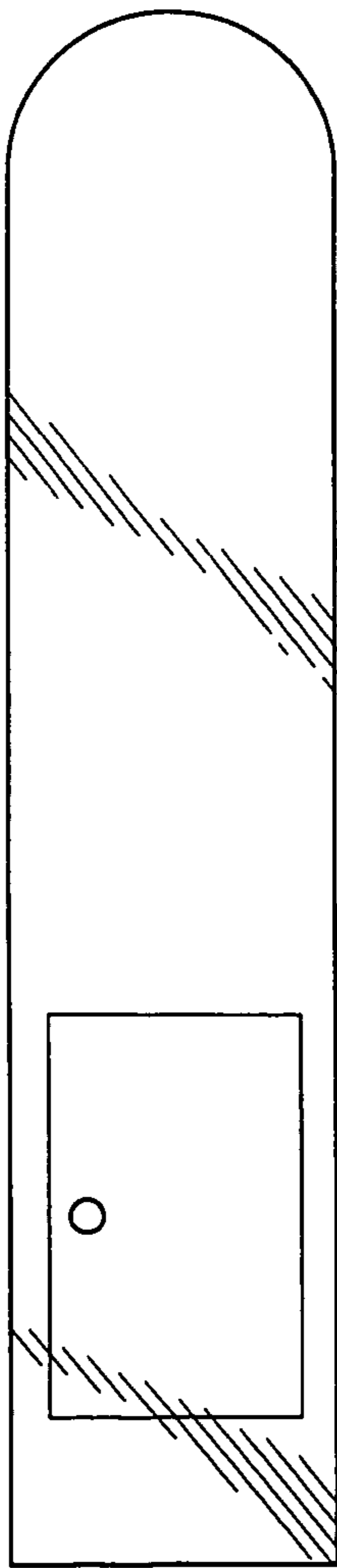


Fig. 6

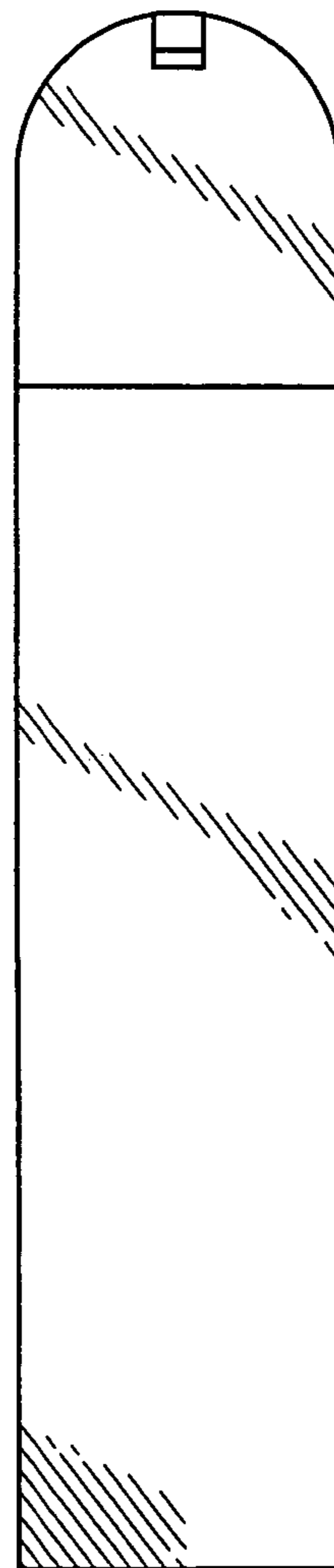


Fig. 7