



US00D589674S

(12) **United States Design Patent**
Stark

(10) **Patent No.:** **US D589,674 S**
(45) **Date of Patent:** **** Mar. 31, 2009**

(54) **SURFACE CONFIGURATION OF A
FORKLIFT, TOY, AND/OR OTHER REPLICAS**

(75) Inventor: **Stefan Stark**, Ludwigsburg (DE)

(73) Assignee: **Dr. Ing. h.c.F. Porsche
Aktiengesellschaft**, Stuttgart (DE)

(**) Term: **14 Years**

(21) Appl. No.: **29/320,387**

(22) Filed: **Jun. 26, 2008**

Related U.S. Application Data

(62) Division of application No. 29/262,022, filed on Jun. 26, 2006, now Pat. No. Des. 575,923.

(30) **Foreign Application Priority Data**

Dec. 26, 2005	(EM)	000453964-0001
Dec. 26, 2005	(EM)	000453964-0002
Dec. 26, 2005	(EM)	000453964-0003
Dec. 26, 2005	(EM)	000453964-0004
Dec. 26, 2005	(EM)	000453964-0005
Dec. 26, 2005	(EM)	000453964-0006
Dec. 26, 2005	(EM)	000453964-0007
Dec. 26, 2005	(EM)	000453964-0008

(51) **LOC (9) Cl.** **09-08**

(52) **U.S. Cl.** **D34/38**

(58) **Field of Classification Search** D34/38;
108/51.1, 56.1, 901, 56.3, 57.1, 53.3, 52.1,
108/55.3, 53.1, 51.3; 248/346.01, 346.02

See application file for complete search history.

(56) **References Cited**

U.S. PATENT DOCUMENTS

D271,151 S	10/1983	Kirby et al.
D327,356 S	6/1992	Laatsch
5,184,699 A	2/1993	Aoki et al.
D346,259 S	4/1994	Laatsch
D353,931 S	12/1994	Kobayakawa et al.
D354,604 S	1/1995	Soederberg
5,524,721 A	6/1996	Yamauchi
5,560,451 A	10/1996	Hincks

(Continued)

Primary Examiner—Cynthia E Ramirez
(74) *Attorney, Agent, or Firm*—RatnerPrestia

(57) **CLAIM**

The ornamental design for a surface configuration of forklift, toy, and/or other replicas, as shown and described.

DESCRIPTION

This application is related to the following co-pending applications: application Ser. No. 29/262,038, entitled "Surface Configuration of a Forklift, Toy, and/or Other Replicas;" and application Ser. No. 29/262,037, entitled "Surface Configuration of a Forklift, Toy, and/or Other Replicas."

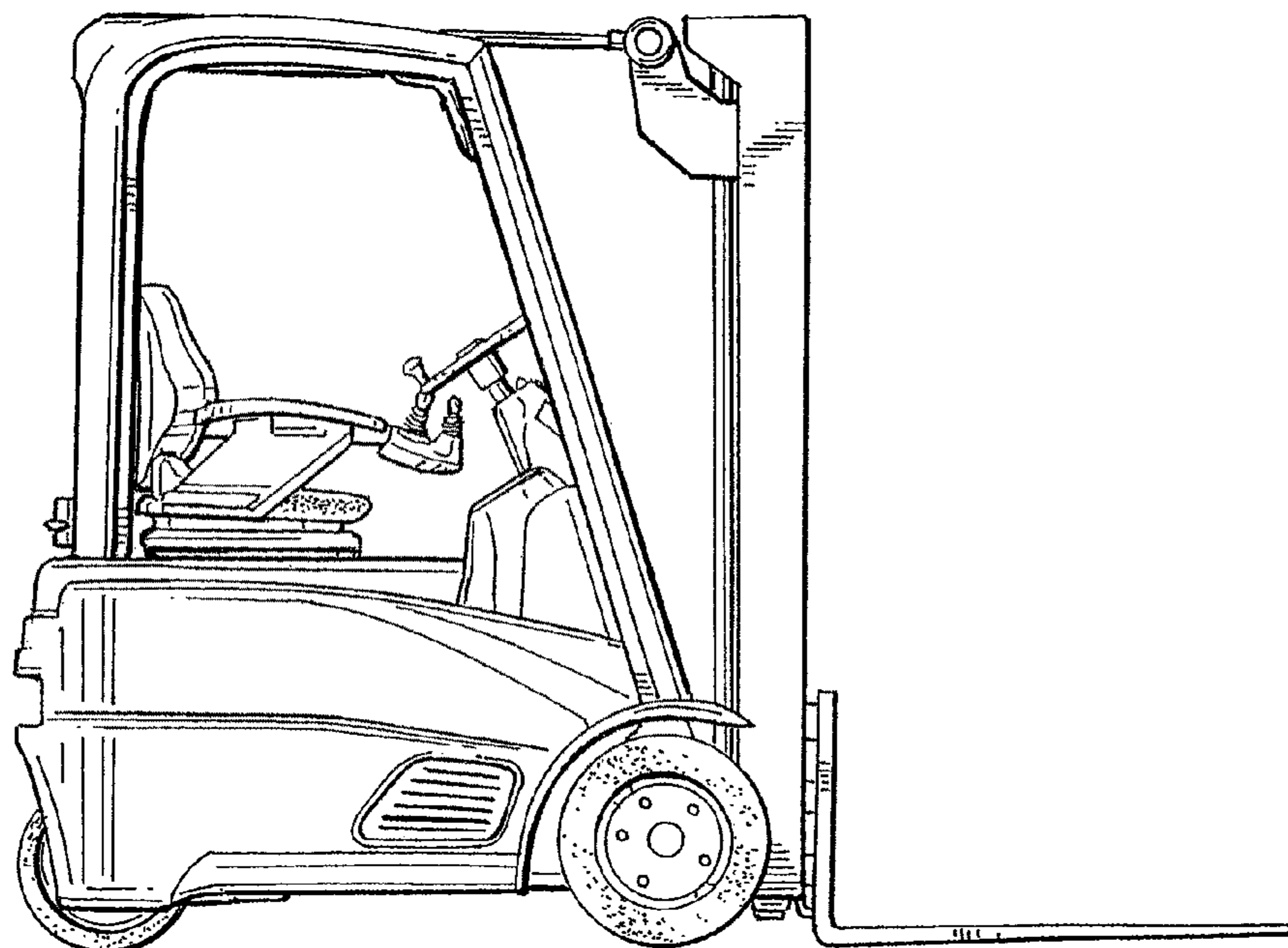
FIG. 1 is a right side view of a surface configuration of a forklift, toy and/or other replicas according to my novel design;

FIG. 2 is a left side view thereof;

FIG. 3 is a rear view thereof; and,

FIG. 4 is a front view thereof.

1 Claim, 2 Drawing Sheets



US D589,674 S

Page 2

U.S. PATENT DOCUMENTS

D386,877 S	11/1997	Russey et al.	D468,885 S	1/2003	Salin et al.
D393,134 S	3/1998	Mariano	D469,236 S	1/2003	Mitsuyoshi et al.
D393,516 S	4/1998	Hahn et al.	D470,990 S	2/2003	Han et al.
D396,928 S	8/1998	Hahn et al.	D471,339 S	3/2003	Mori
5,881,842 A	3/1999	Kikukawa	D471,340 S	3/2003	Shibata et al.
D411,681 S	6/1999	Murakami et al.	D492,831 S	7/2004	Kouyama
D412,385 S	7/1999	Murakami et al.	D518,268 S	3/2006	Stark
D427,409 S	6/2000	Sato et al.	D526,460 S	8/2006	Goto et al.
D448,136 S	9/2001	Yurushi et al.	D536,504 S	2/2007	Righi
D452,598 S	12/2001	Sato	D538,004 S	3/2007	Kouyama et al.
D466,268 S	11/2002	Kraimer et al.	D542,004 S	5/2007	Righi
D466,669 S	12/2002	Kraimer et al.	D542,503 S	5/2007	Righi
			D575,923 S *	8/2008	Stark D34/34

* cited by examiner

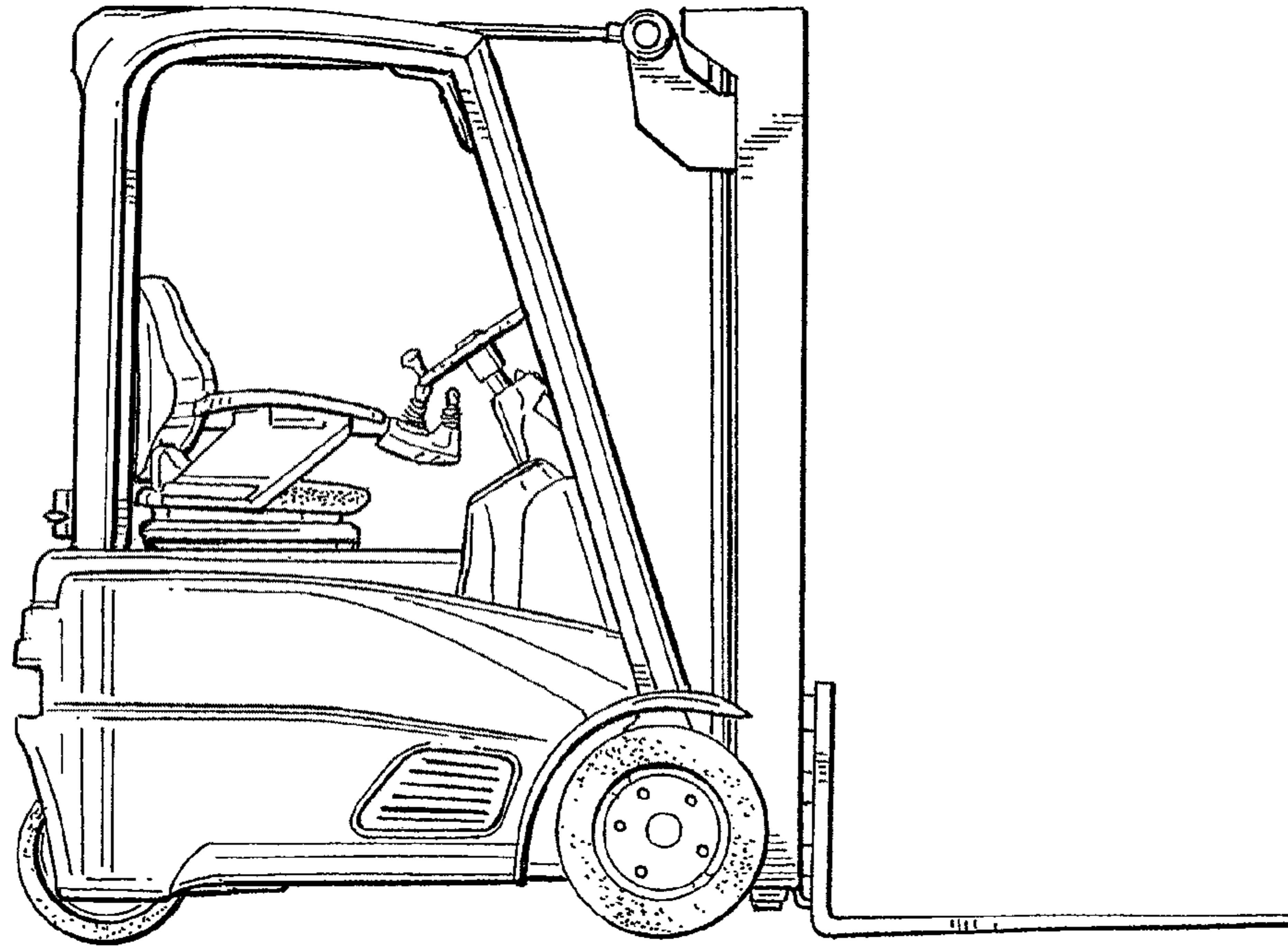


FIG. 1

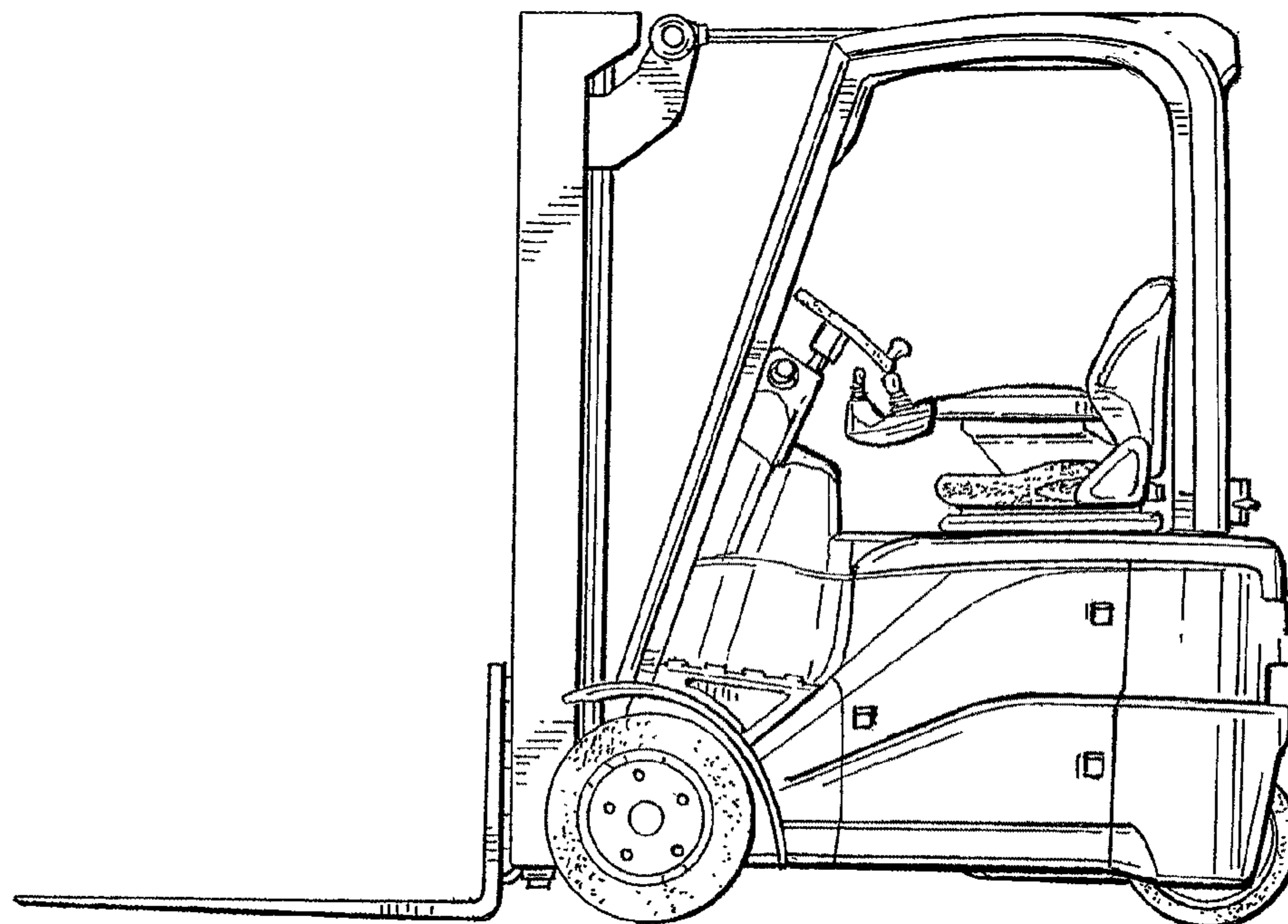


FIG. 2

FIG. 3

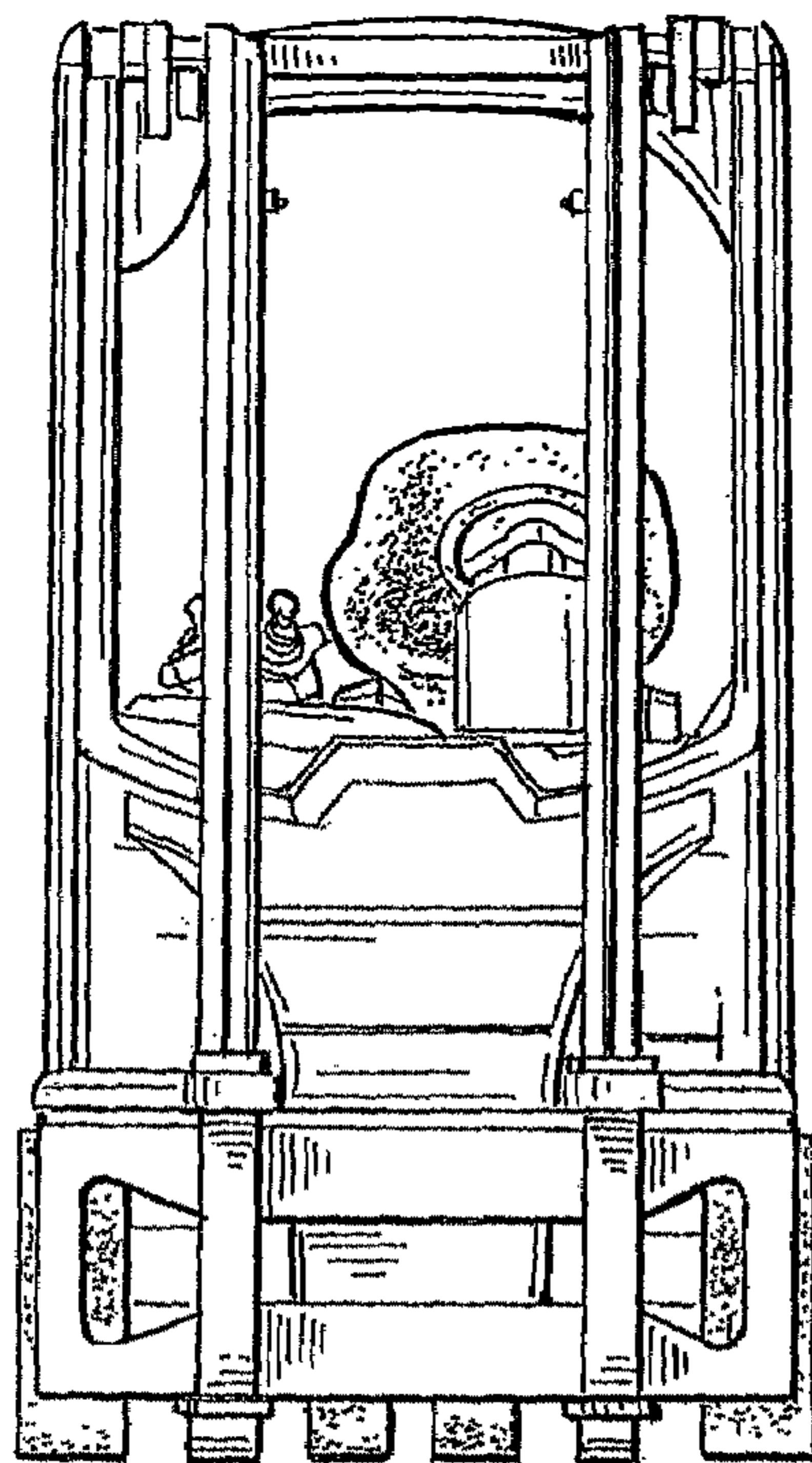
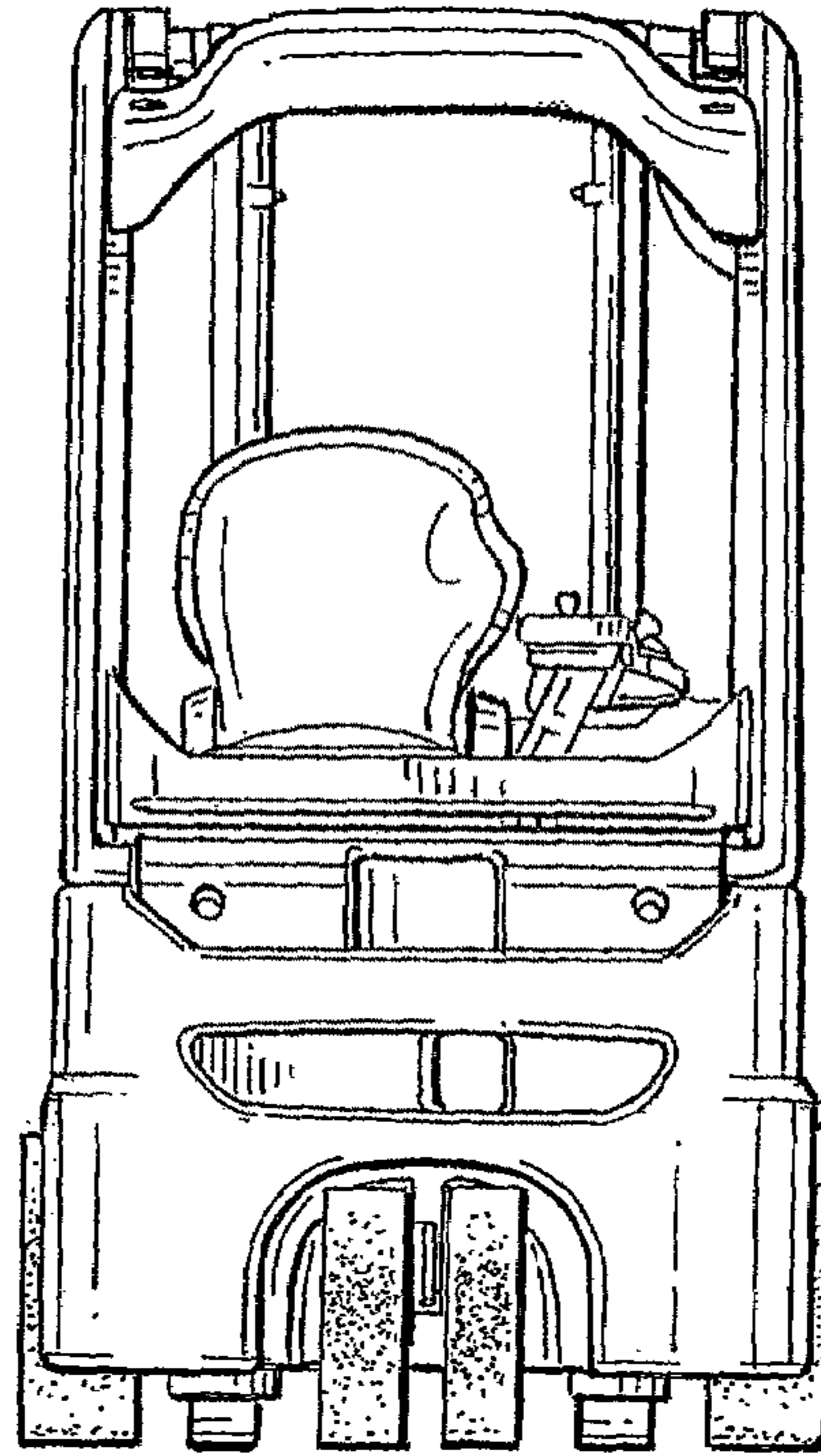


FIG. 4