



US00D589672S

(12) **United States Design Patent**  
**Finkbeiner**

(10) **Patent No.:** **US D589,672 S**  
(45) **Date of Patent:** **\*\* Mar. 31, 2009**

(54) **WHEEL FORK FOR A LIFT**

(76) Inventor: **Gerhard Finkbeiner**, Alte Poststrasse  
11, D-72250 Freudenstadt (DE)

(\*\*) Term: **14 Years**

(21) Appl. No.: **29/273,413**

(22) Filed: **Mar. 5, 2007**

(30) **Foreign Application Priority Data**

Sep. 7, 2006 (EP) ..... 000585286

(51) **LOC (9) Cl.** ..... **12-05**

(52) **U.S. Cl.** ..... **D34/35**

(58) **Field of Classification Search** ..... D34/28,  
D34/34; 187/222, 233, 237; 414/592, 607,  
414/623

See application file for complete search history.

(56) **References Cited**

**U.S. PATENT DOCUMENTS**

|           |     |         |                     |       |         |
|-----------|-----|---------|---------------------|-------|---------|
| 1,799,307 | A * | 4/1931  | Manley              | ..... | 187/232 |
| 3,052,323 | A * | 9/1962  | Hopfeld             | ..... | 187/232 |
| 3,203,568 | A * | 8/1965  | Quayle              | ..... | 414/621 |
| D238,261  | S * | 12/1975 | Maki et al.         | ..... | D34/35  |
| D249,663  | S * | 9/1978  | Willett             | ..... | D34/35  |
| D298,677  | S * | 11/1988 | Carlson et al.      | ..... | D34/35  |
| 5,630,622 | A * | 5/1997  | Kirschenmann et al. | ....  | 280/756 |
| 5,788,016 | A * | 8/1998  | Soulas et al.       | ..... | 187/238 |

|              |      |         |                    |       |           |
|--------------|------|---------|--------------------|-------|-----------|
| 5,799,746    | A *  | 9/1998  | Kortelainen et al. | ..... | 180/89.12 |
| 6,182,797    | B1 * | 2/2001  | Tebbe et al.       | ..... | 187/227   |
| D479,029     | S *  | 8/2003  | Sobolewski         | ..... | D34/35    |
| 6,616,395    | B2 * | 9/2003  | Fransson           | ..... | 414/495   |
| 2002/0025246 | A1 * | 2/2002  | Lindgren et al.    | ..... | 414/785   |
| 2006/0225963 | A1 * | 10/2006 | Borrmann           | ..... | 187/222   |

\* cited by examiner

*Primary Examiner*—Cynthia E Ramirez

(74) *Attorney, Agent, or Firm*—Kriegsman & Kriegsman

(57) **CLAIM**

The ornamental design for a wheel fork for a lift, as shown and described.

**DESCRIPTION**

FIG. 1 is a front perspective view of one embodiment of a wheel fork for a lift showing my new design;

FIG. 2 is a back perspective view of the wheel fork for a lift shown in FIG. 1;

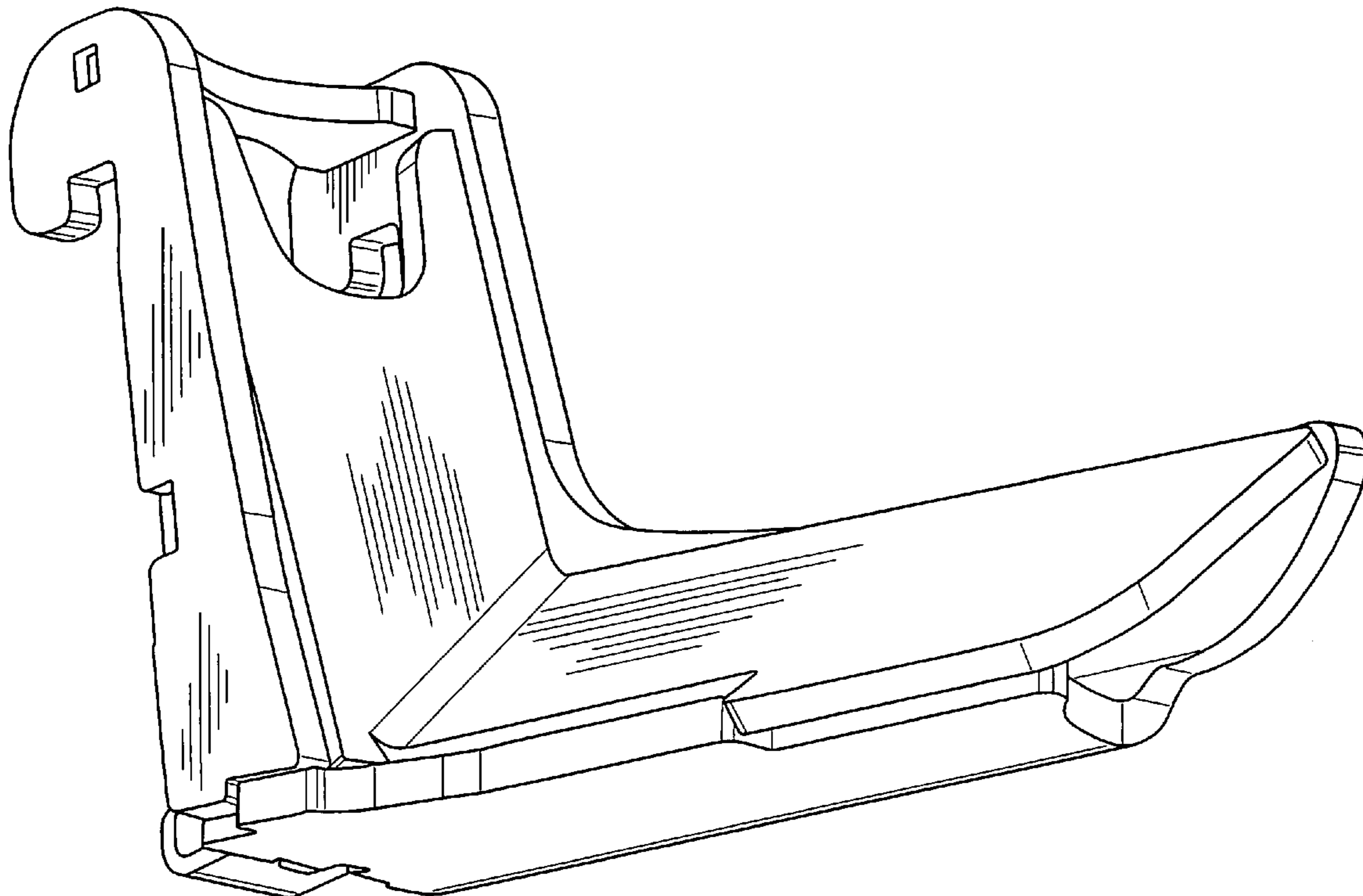
FIG. 3 is a side perspective view of the wheel fork for a lift shown in FIG. 1;

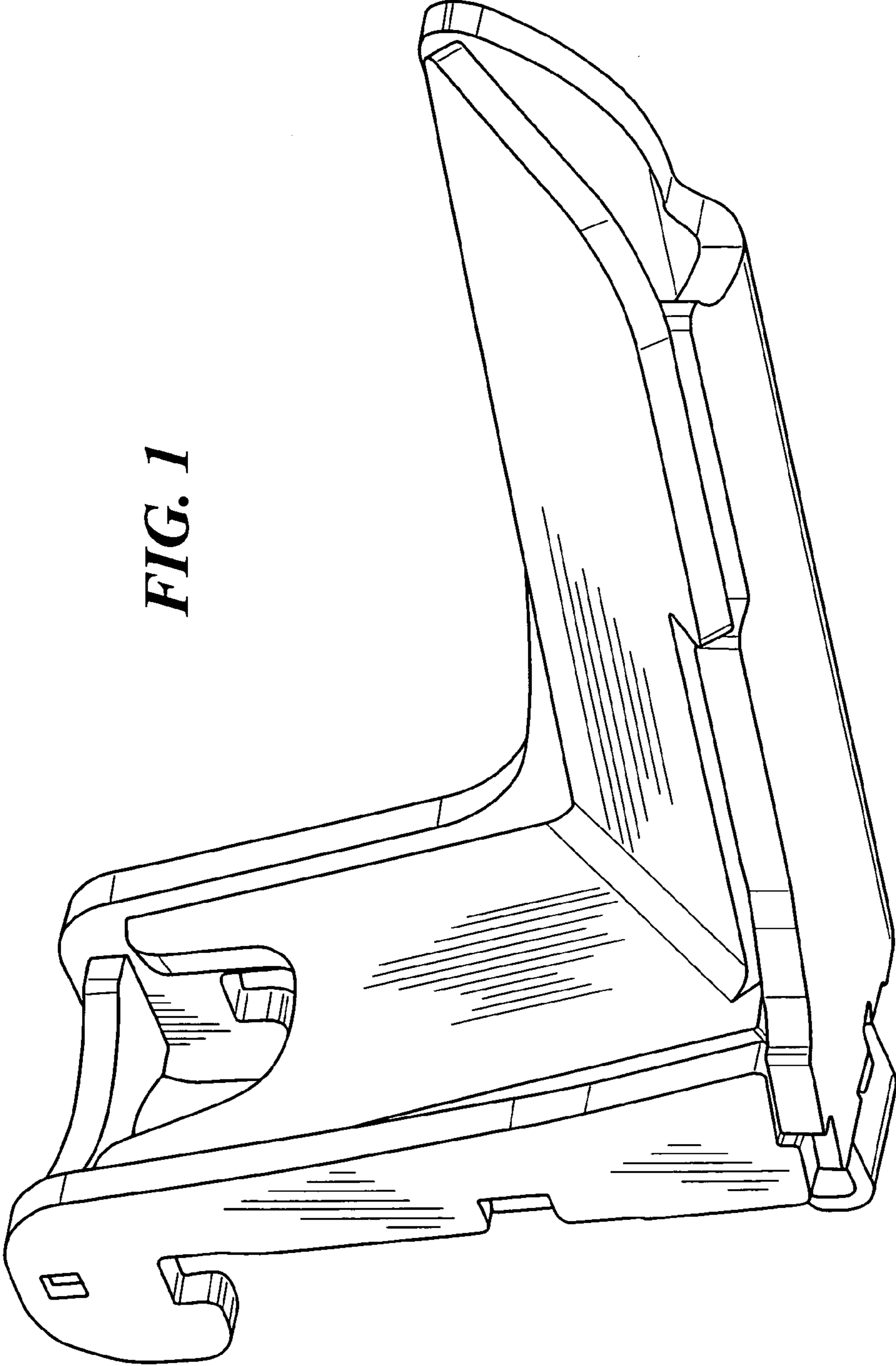
FIG. 4 is a top perspective view of the wheel fork for a lift shown in FIG. 1;

FIG. 5 is an illustrative top perspective view of the wheel fork for a lift shown in FIG. 1; and,

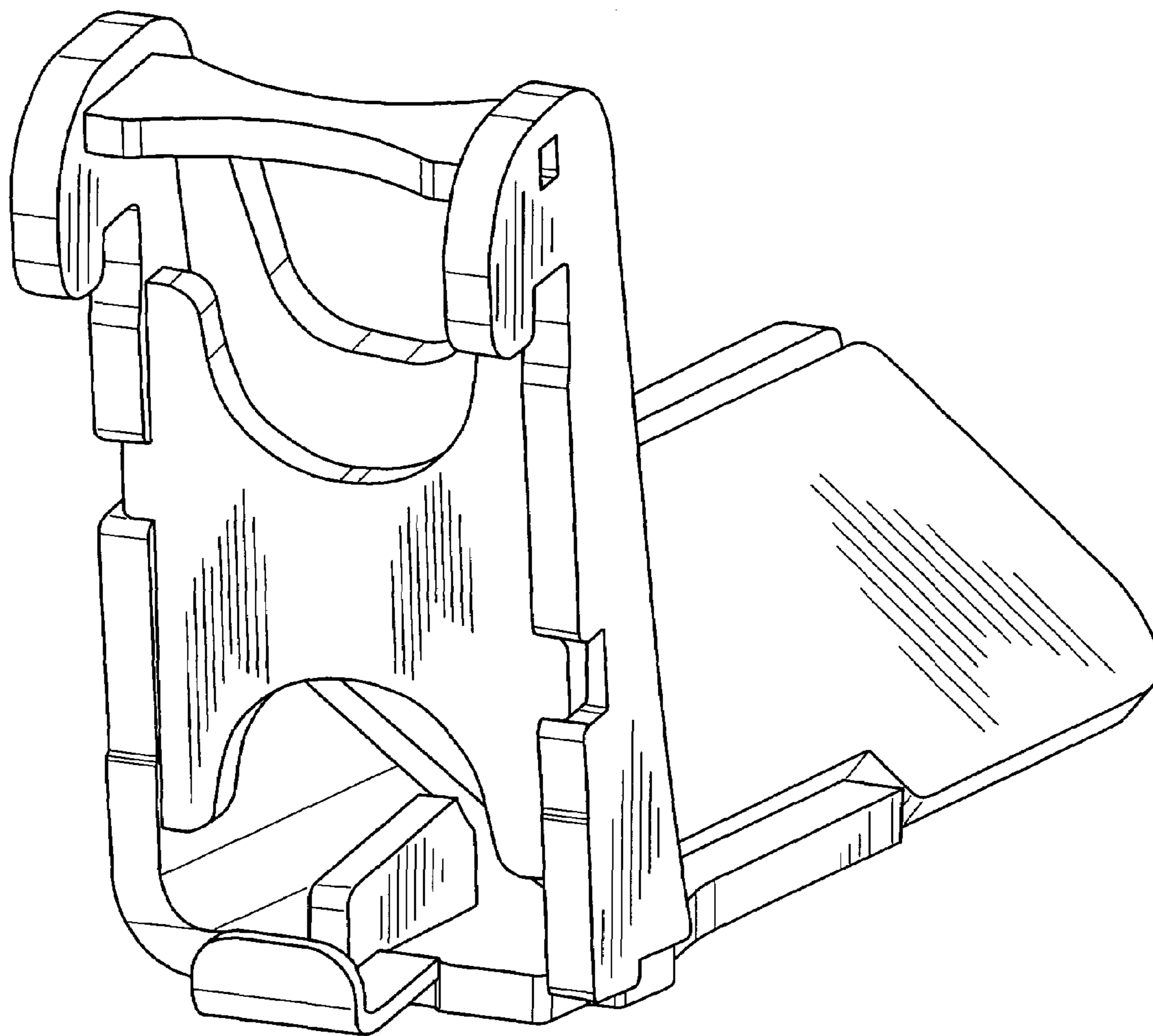
FIG. 6 is an illustrative rear perspective view thereof.

**1 Claim, 6 Drawing Sheets**

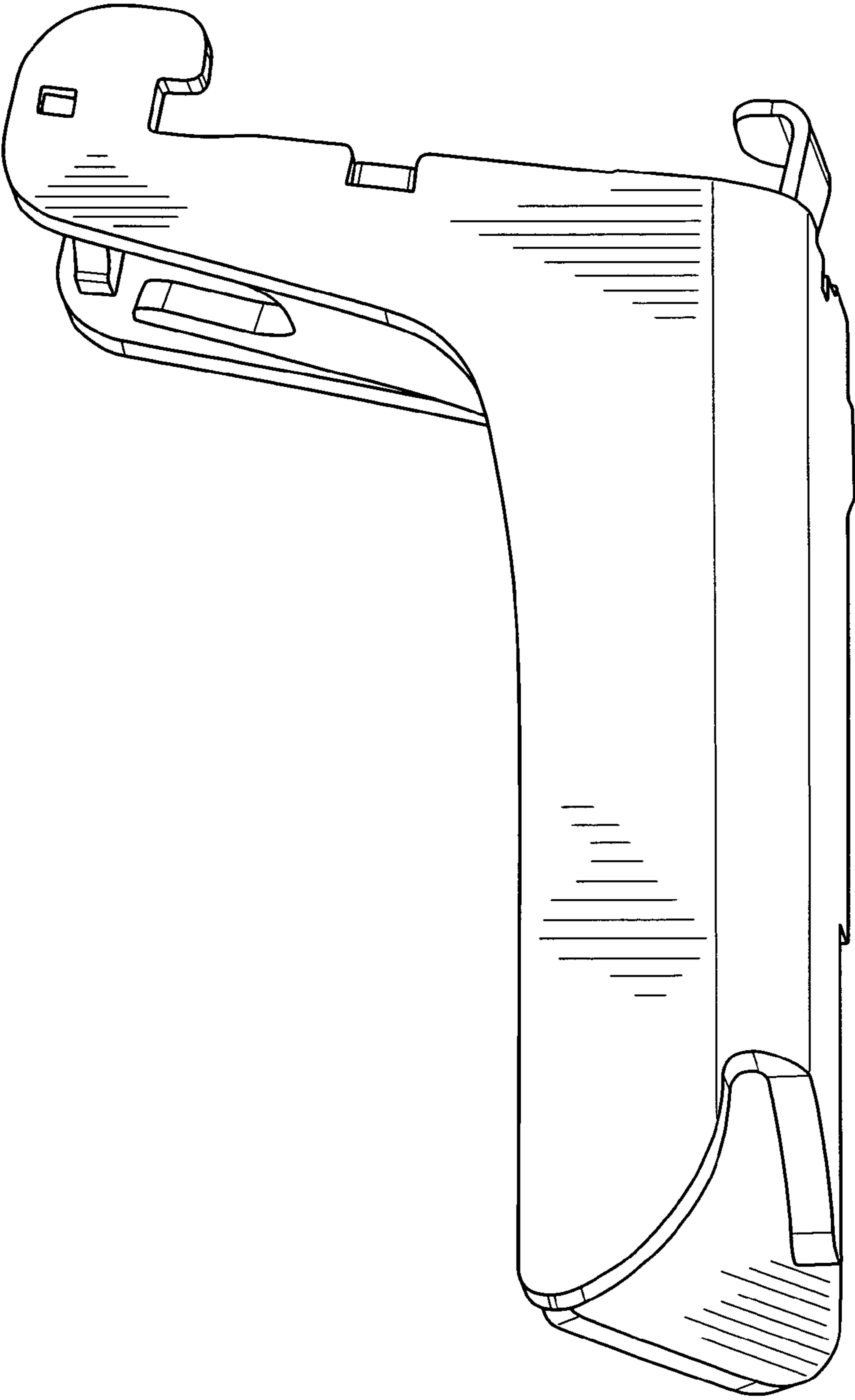




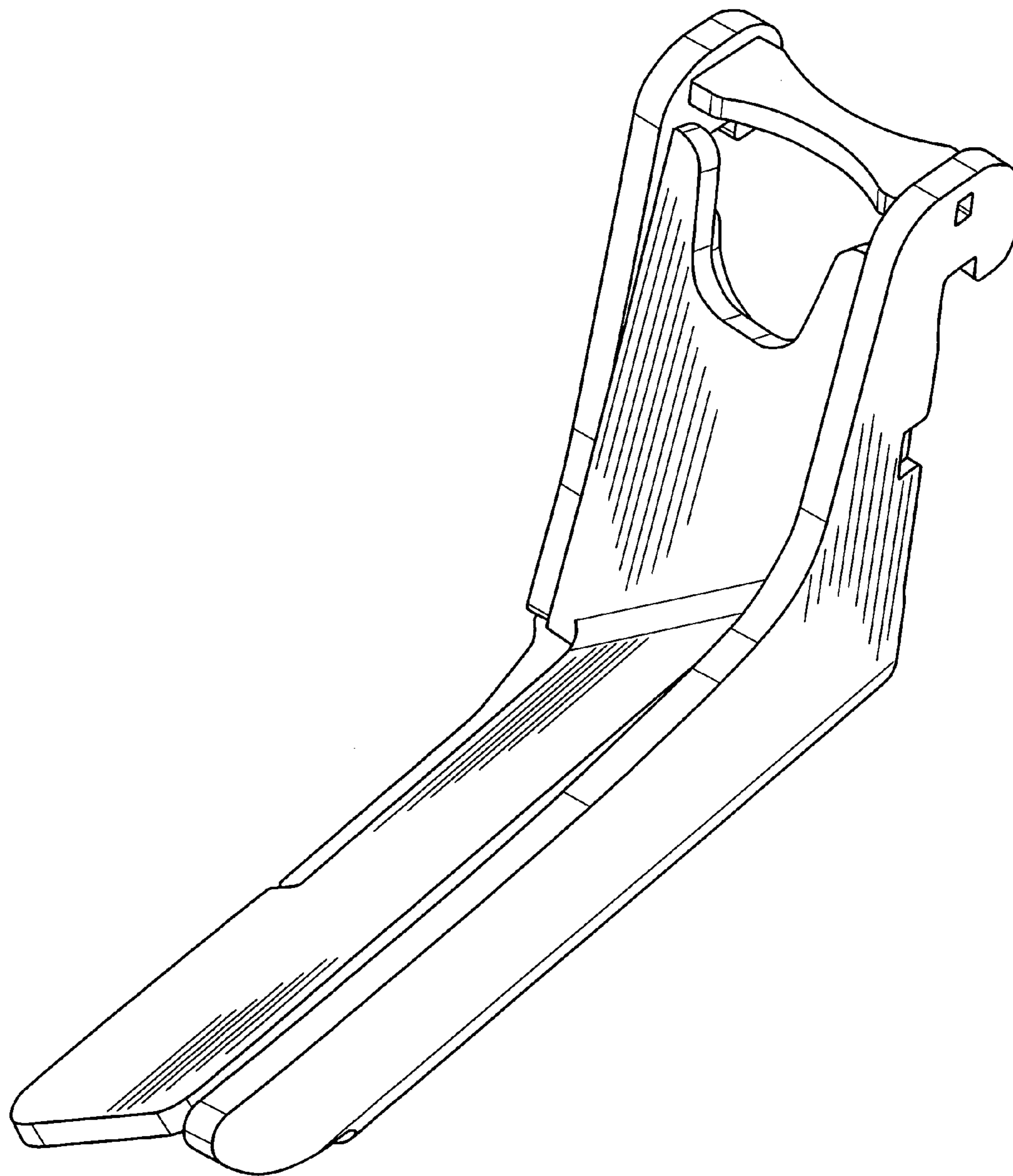
**FIG. 1**



**FIG. 2**

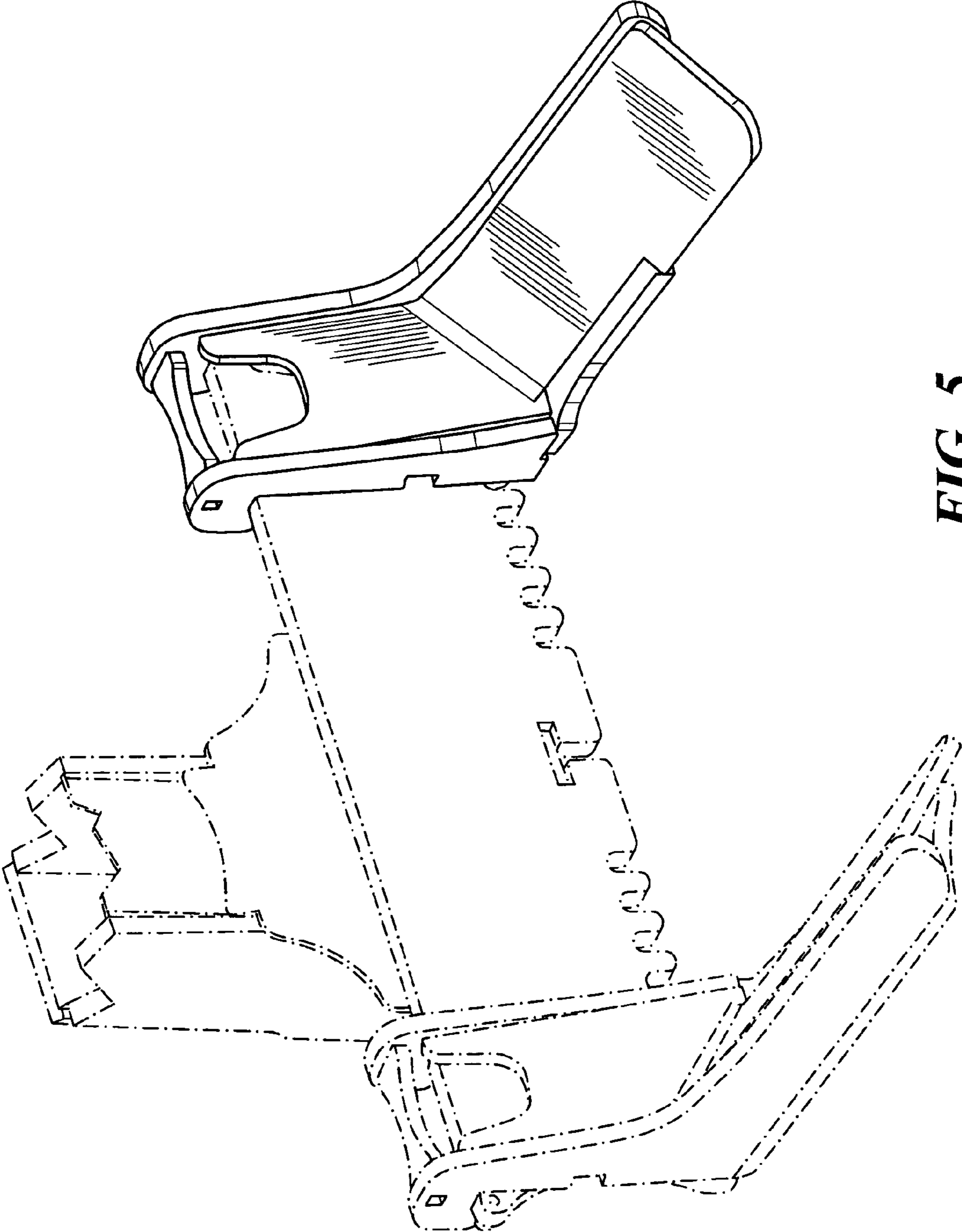


**FIG. 3**

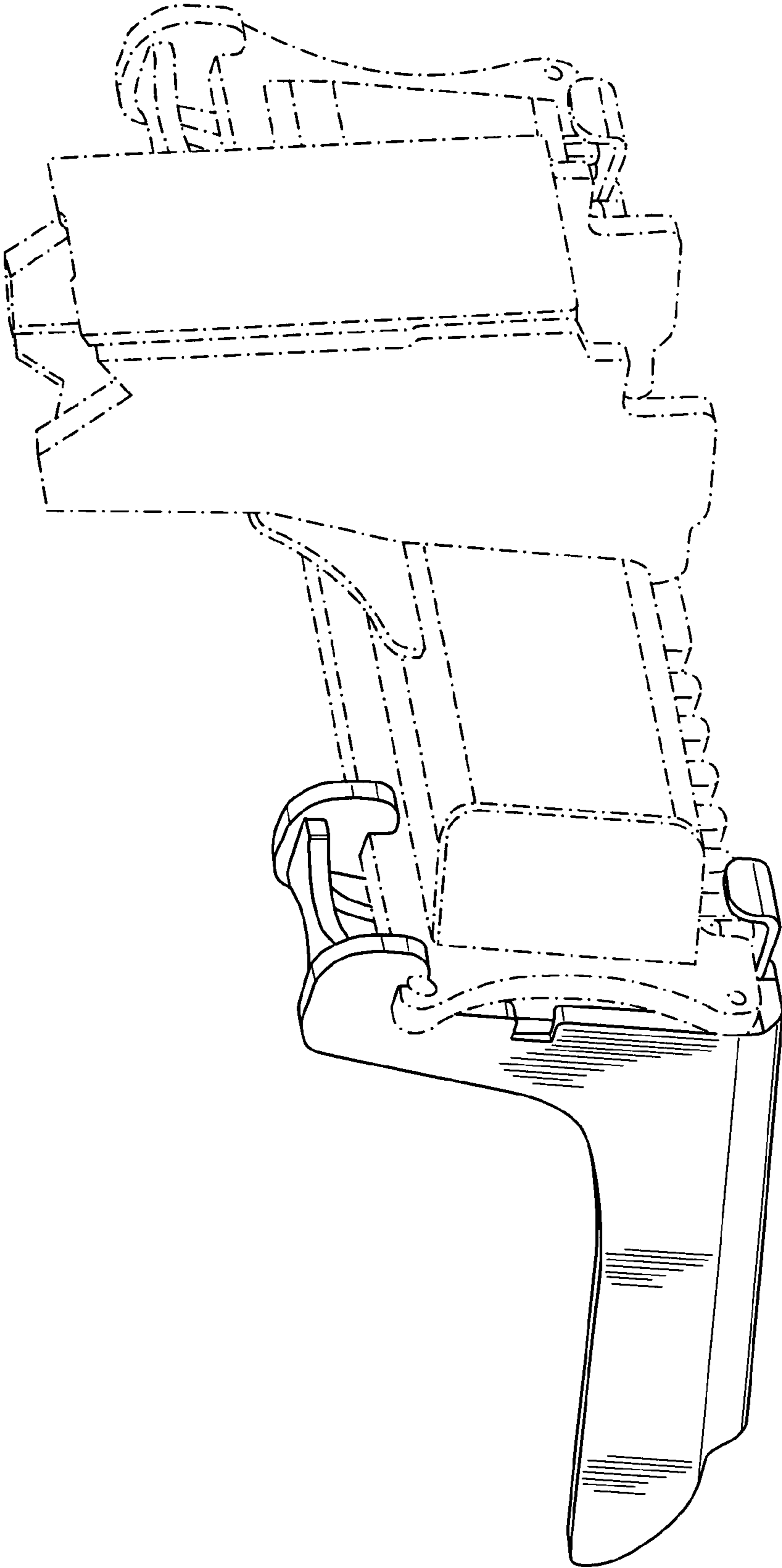


**FIG. 4**





**FIG. 5**



**FIG. 6**