



US00D589671S

(12) **United States Design Patent**
Rolim De Oliveira

(10) **Patent No.:** **US D589,671 S**
(45) **Date of Patent:** **** Mar. 31, 2009**

(54) **SHOPPING CART FOR REMOVABLE BASKET**

(76) Inventor: **Livia Maria Rolim De Oliveira**, Estrada Aeroporto Arembepe, km 06, BA 099, Lauro de Freitas, Bahia (BR) 42700-000

(**) Term: **14 Years**

(21) Appl. No.: **29/303,263**

(22) Filed: **Feb. 5, 2008**

(30) **Foreign Application Priority Data**

Aug. 27, 2007 (BR) DI 6702643-5

(51) **LOC (9) Cl.** **12-02**

(52) **U.S. Cl.** **D34/17**

(58) **Field of Classification Search** D34/12-27;
280/47.35, 79.3, 47.19; 211/133
See application file for complete search history.

(56) **References Cited**

U.S. PATENT DOCUMENTS

- 5,464,104 A * 11/1995 McArthur 211/133.3
- D373,669 S * 9/1996 Perkins, Sr. D34/24
- 7,168,715 B1 * 1/2007 Friedman 280/47.35
- 2005/0012286 A1 * 1/2005 Woodrow 280/47.35
- 2005/0275178 A1 * 12/2005 Huesdash et al. 280/47.35
- 2008/0143069 A1 * 6/2008 Richards et al. 280/47.35

FOREIGN PATENT DOCUMENTS

- BR MU7603240-0 U 6/2000
- BR DI6400005-2 4/2004

- BR DI6400006-0 4/2004
- BR DI6400007-9 4/2004
- BR MU8403472-6 7/2006
- EP 1029766 A1 8/2000
- EP 1403164 A1 3/2004
- FR 2877908 A1 5/2006
- JP 2001122125 5/2001
- WO 00/34102 A1 6/2000
- WO 2006/053706 A2 5/2006

* cited by examiner

Primary Examiner—Cynthia E Ramirez

(74) *Attorney, Agent, or Firm*—Richard M. Goldberg

(57) **CLAIM**

The ornamental design for a shopping cart for removable basket, as shown and described.

DESCRIPTION

FIG. 1 is a perspective view of the shopping cart for removable basket of my design;

FIG. 2 is a right side elevational view thereof, with the left side being a mirror image thereof;

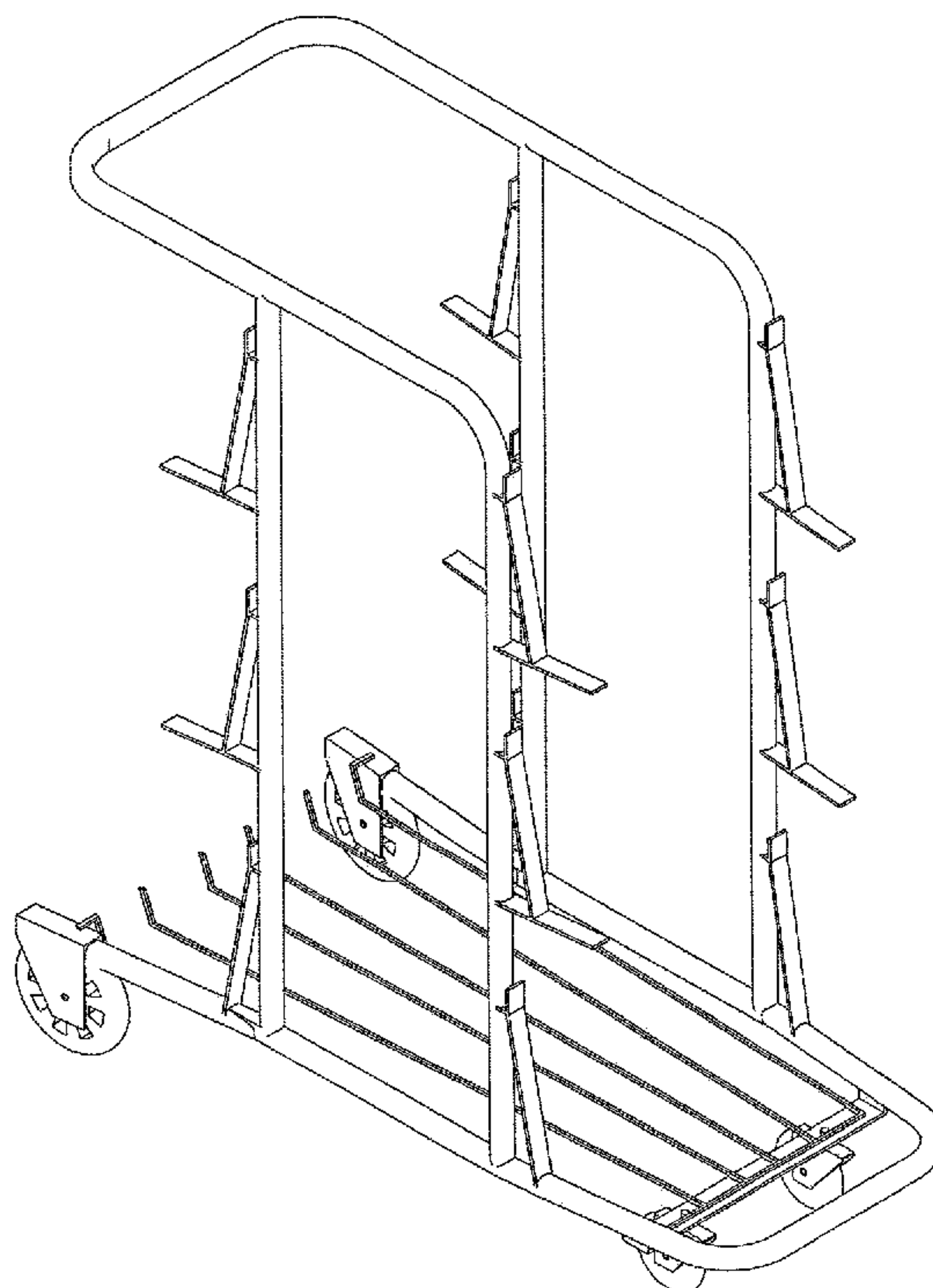
FIG. 3 is a top plan view thereof;

FIG. 4 is a bottom plan view thereof; and,

FIG. 5 is a perspective view thereof, showing baskets hanging thereon.

The broken line showing of baskets in FIG. 5 is included for the purpose of illustrating environment and forms no part of the claimed design.

1 Claim, 5 Drawing Sheets



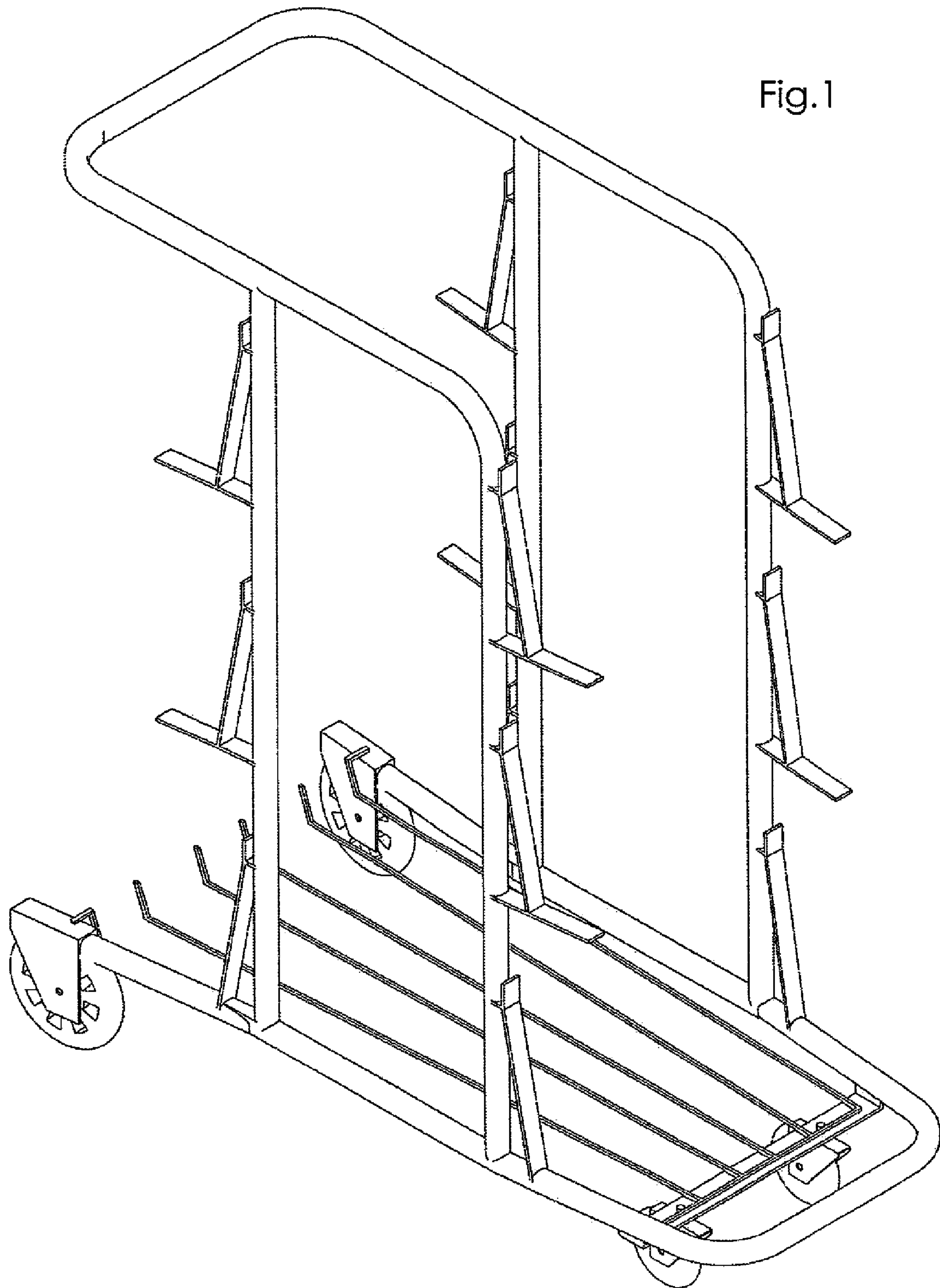


Fig. 1

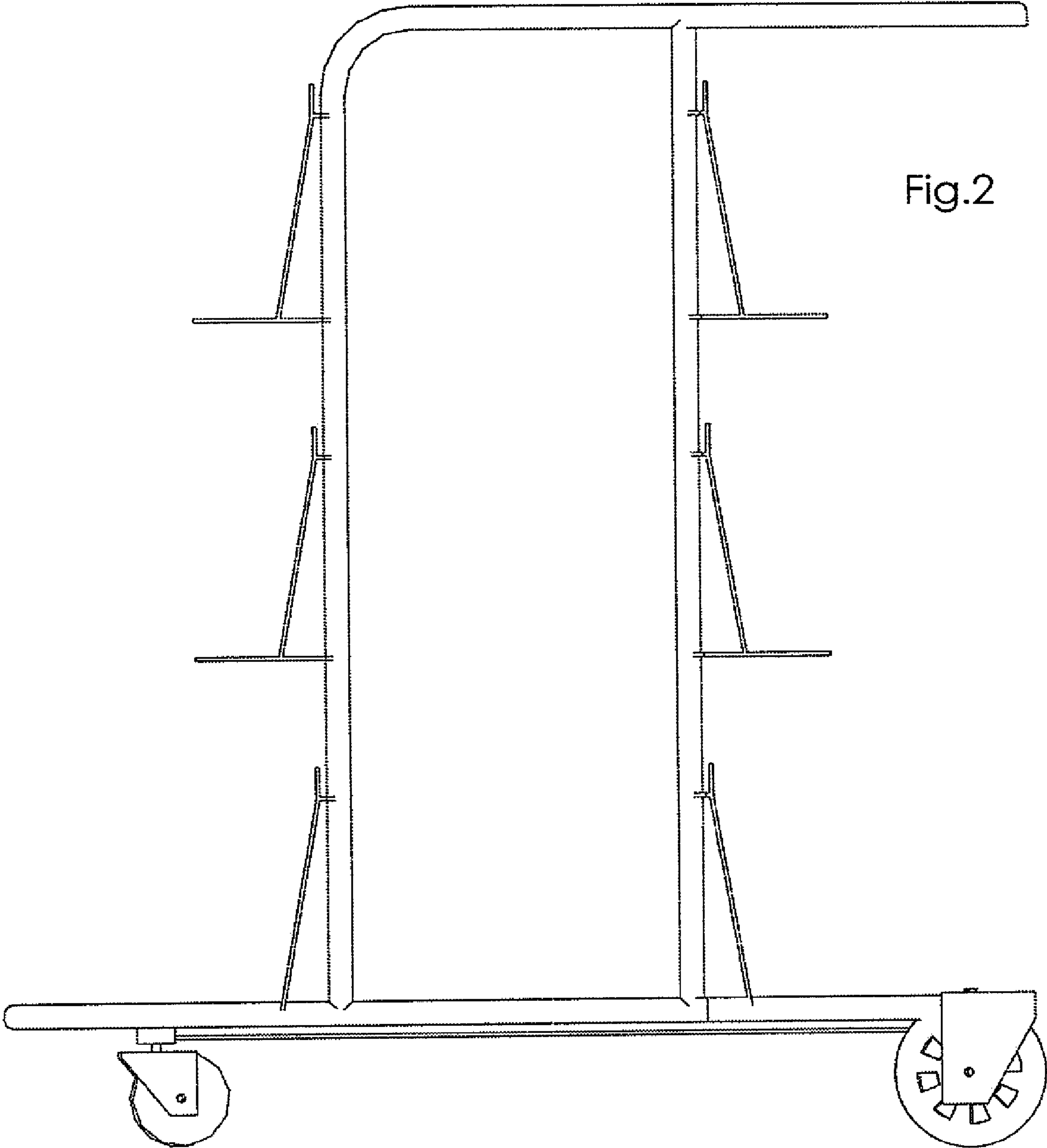


Fig.2

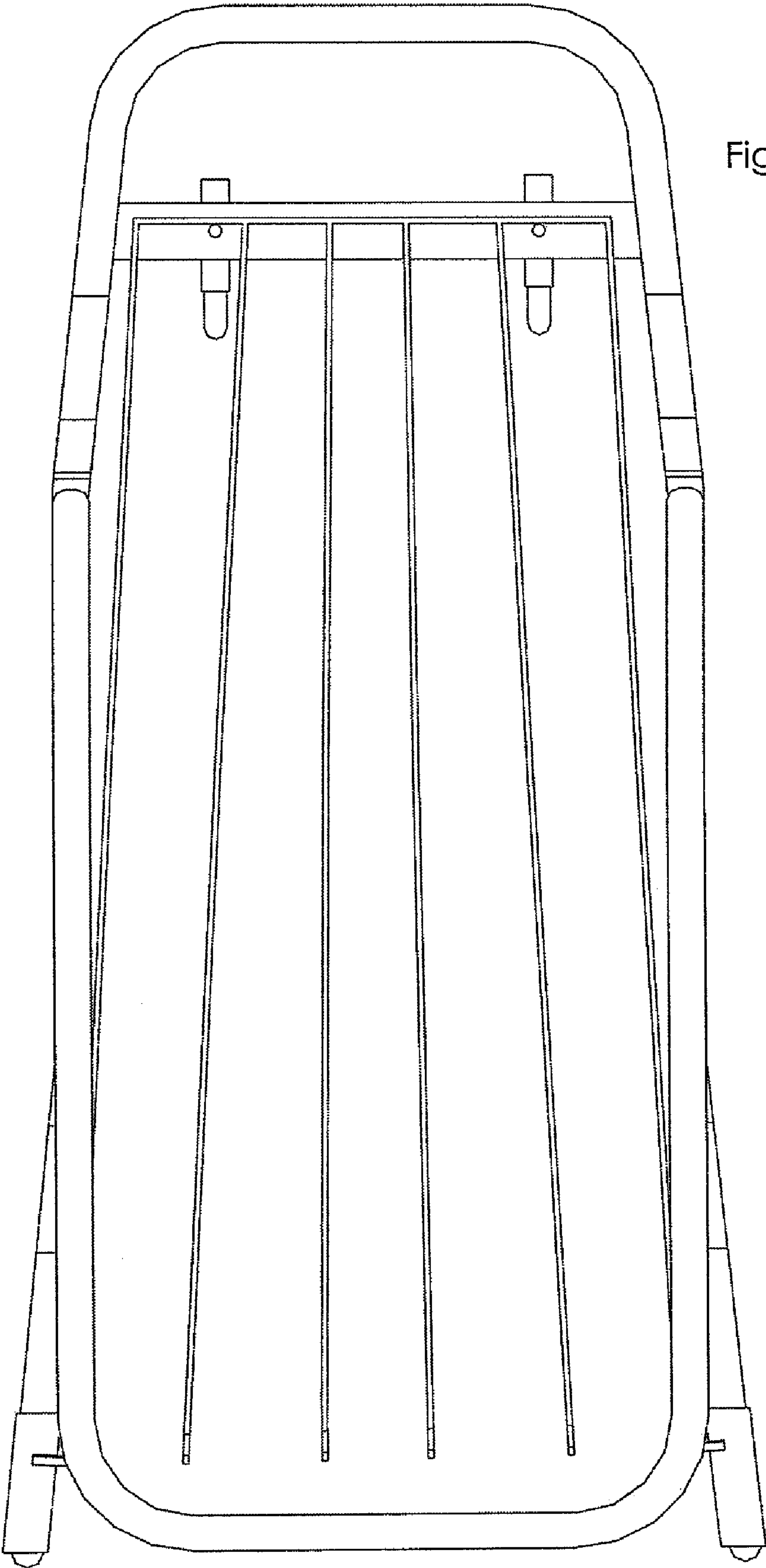


Fig.3

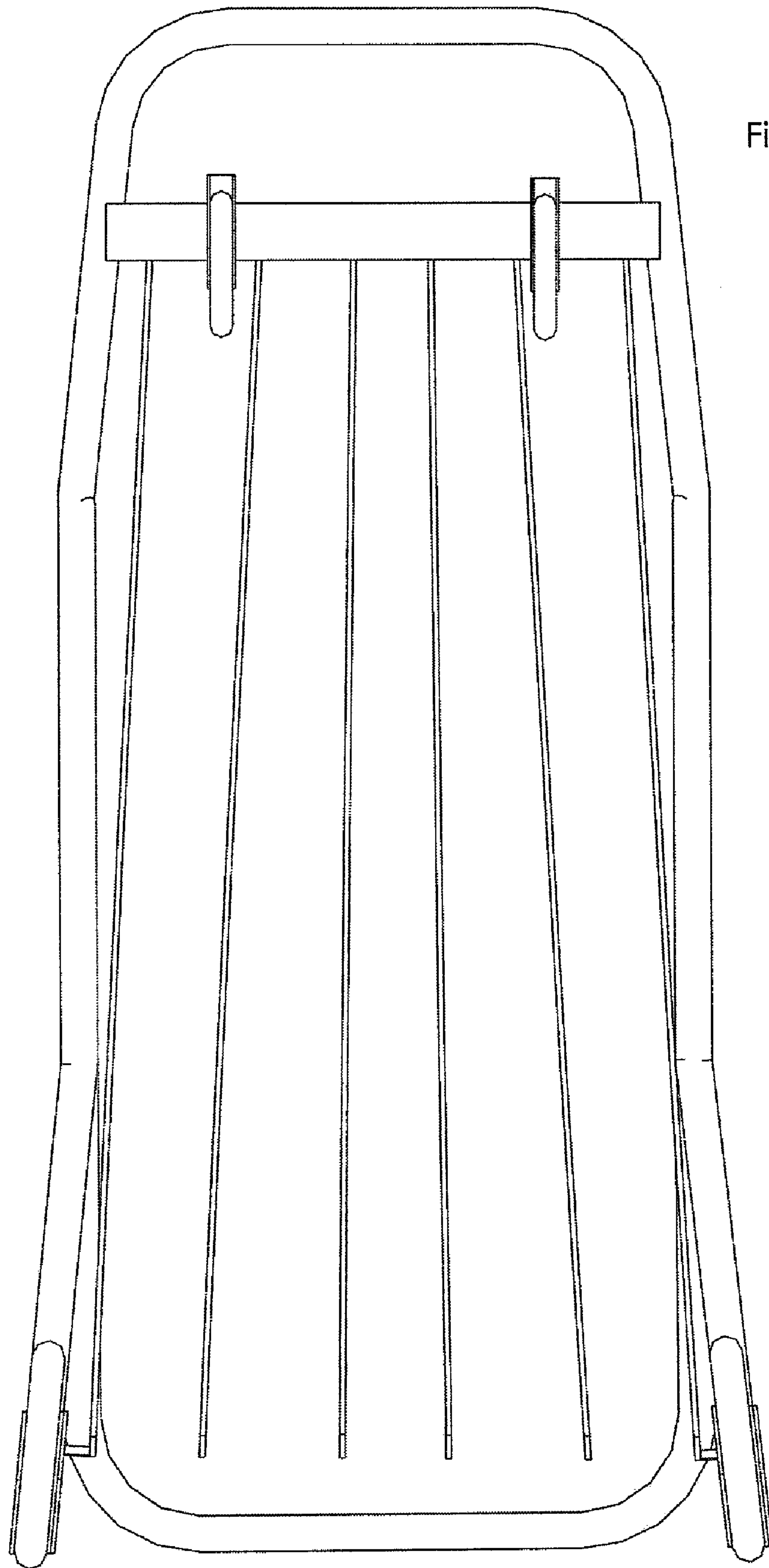


Fig.4

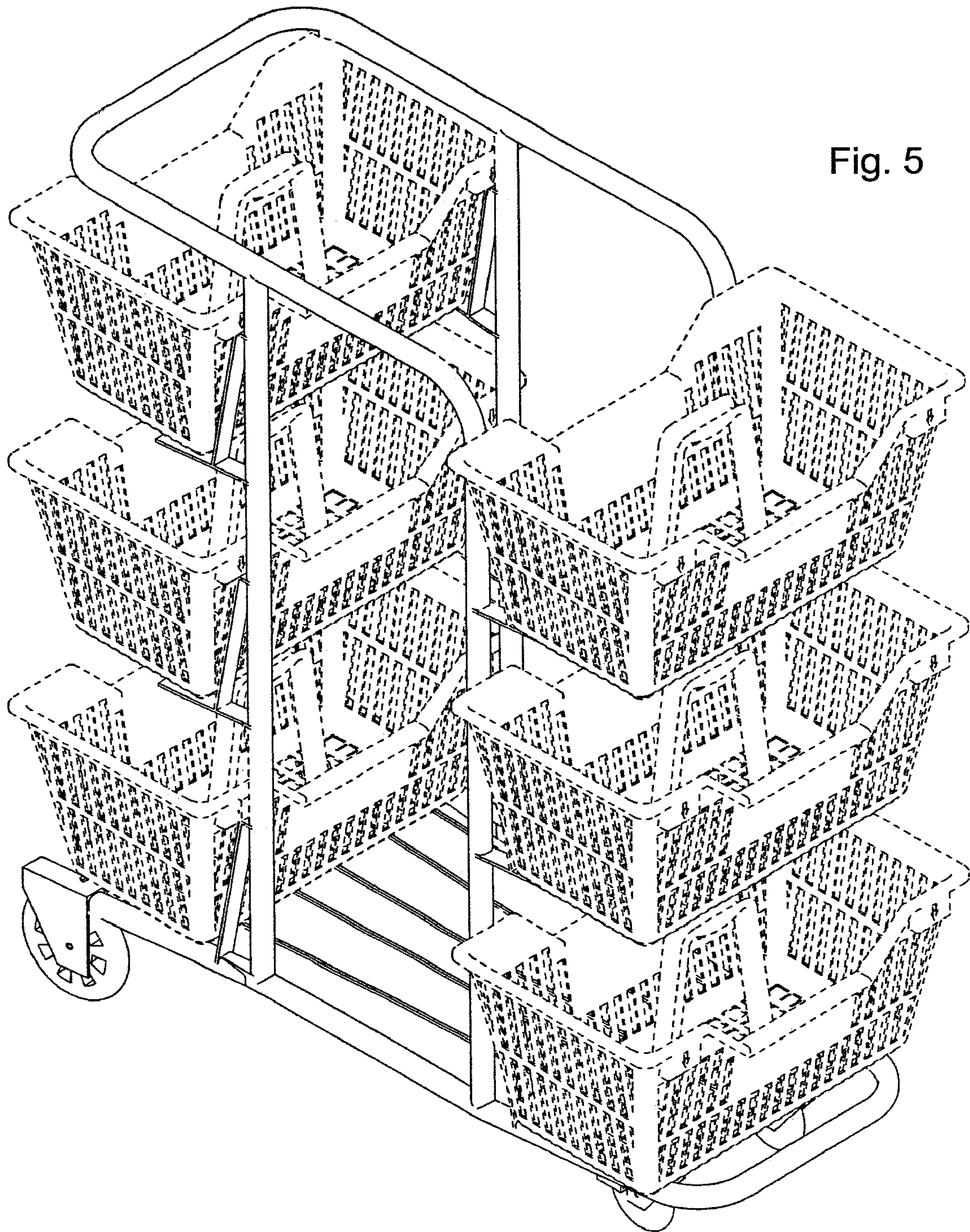


Fig. 5