



US00D589664S

(12) **United States Design Patent**
Simas

(10) **Patent No.:** **US D589,664 S**
(45) **Date of Patent:** **** Mar. 31, 2009**

(54) **SORTING HAMPER**

(75) Inventor: **Michelle M. Simas**, Fitchburg, MA (US)

(73) Assignee: **Sterilite Corporation**, Townsend, MA (US)

(**) Term: **14 Years**

(21) Appl. No.: **29/297,679**

(22) Filed: **Nov. 15, 2007**

(51) **LOC (9) Cl.** **07-07**

(52) **U.S. Cl.** **D32/37**

(58) **Field of Classification Search** D32/37,
D32/36; D34/1-2, 4-5; D3/304-305, 307-309,
D3/312, 314; 220/607, 676, 770, 780-783,
220/913, 908-911; 232/1 B; 280/47.26
See application file for complete search history.

(56) **References Cited**

U.S. PATENT DOCUMENTS

3,977,450	A	8/1976	Schampier	
3,995,924	A	12/1976	Jones	
4,057,309	A	11/1977	Fragale	
4,585,283	A	4/1986	Redmon et al.	
5,102,208	A	4/1992	Joynes et al.	
D341,685	S *	11/1993	Brooks D32/36
5,484,078	A	1/1996	Bronovicki	
5,833,336	A	11/1998	Dean	
6,019,445	A	2/2000	Gades	
6,062,416	A	5/2000	Smillie	
6,659,273	B1	12/2003	Scola	

OTHER PUBLICATIONS

Laundry Sorter, Homz, 2006-2007.
Double Laundry Bag Stand, The Container Store, 2007.

3-Compartment Hamper Tote, The Container Store, 2007.

Laundry Basket Stack, Curver Ltd., 2006.

Hamper (1252), Sterilite Corporation, 2002-2006.

* cited by examiner

Primary Examiner—Pamela J Burgess

(74) *Attorney, Agent, or Firm*—Wilmer Cutler Pickering Hale and Dorr LLP

(57) **CLAIM**

The ornamental design for a sorting hamper, as shown.

DESCRIPTION

FIG. 1 is a perspective view of a sorting hamper showing my new design;

FIG. 2 is a front view thereof;

FIG. 3 is a back view thereof;

FIG. 4 is a side view thereof;

FIG. 5 is a top view thereof;

FIG. 6 is a bottom view thereof;

FIG. 7 is a perspective view of sorting hampers in sorting configuration;

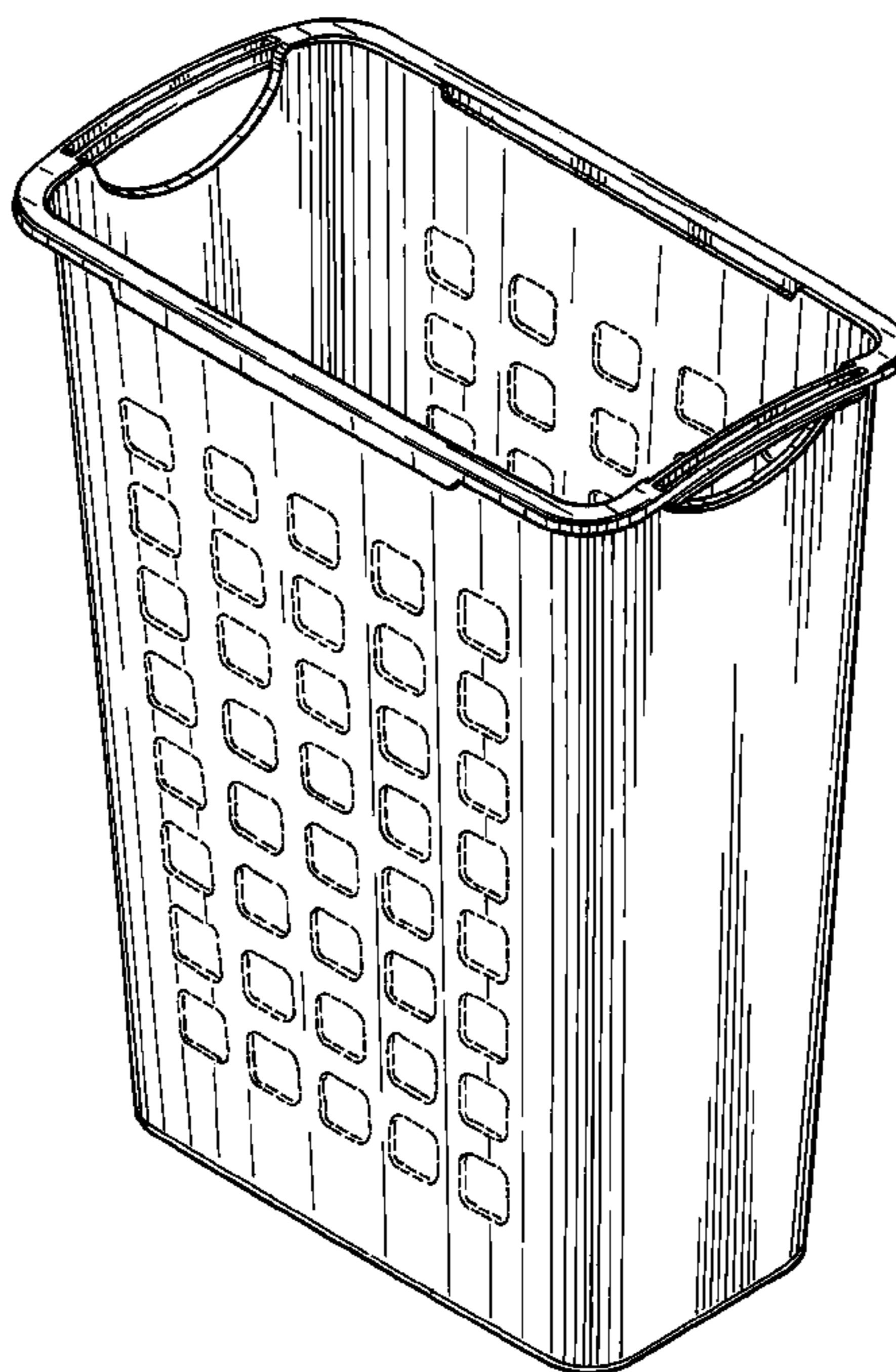
FIG. 8 is a side view of the hampers of FIG. 7;

FIG. 9 is a top view of the hampers of FIG. 7; and,

FIG. 10 is a bottom view of the hampers of FIG. 7.

The broken lines shown in the drawings are for illustrative purposes only and form no part of the claimed design.

1 Claim, 9 Drawing Sheets



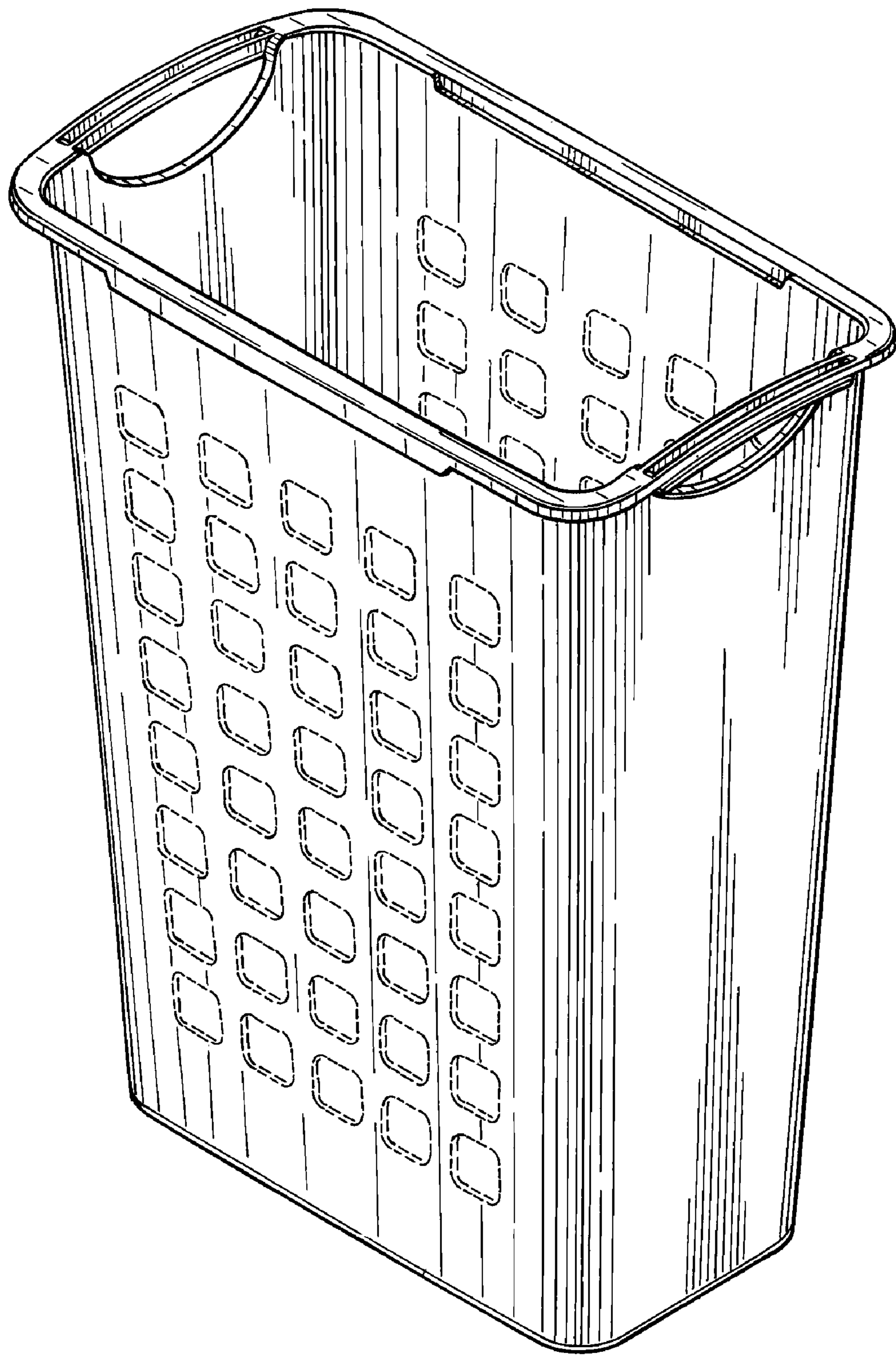


Fig. 1

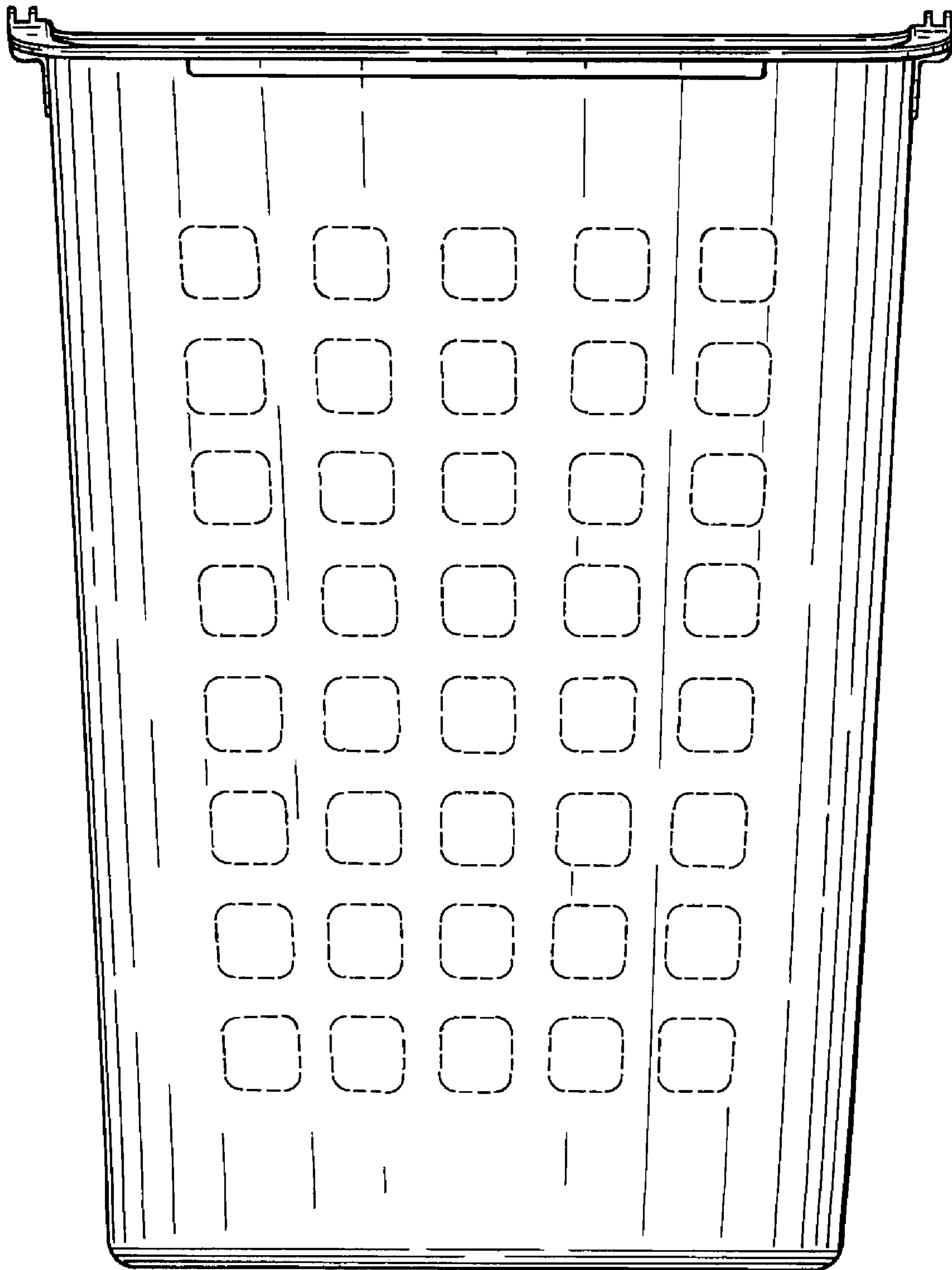


Fig. 2

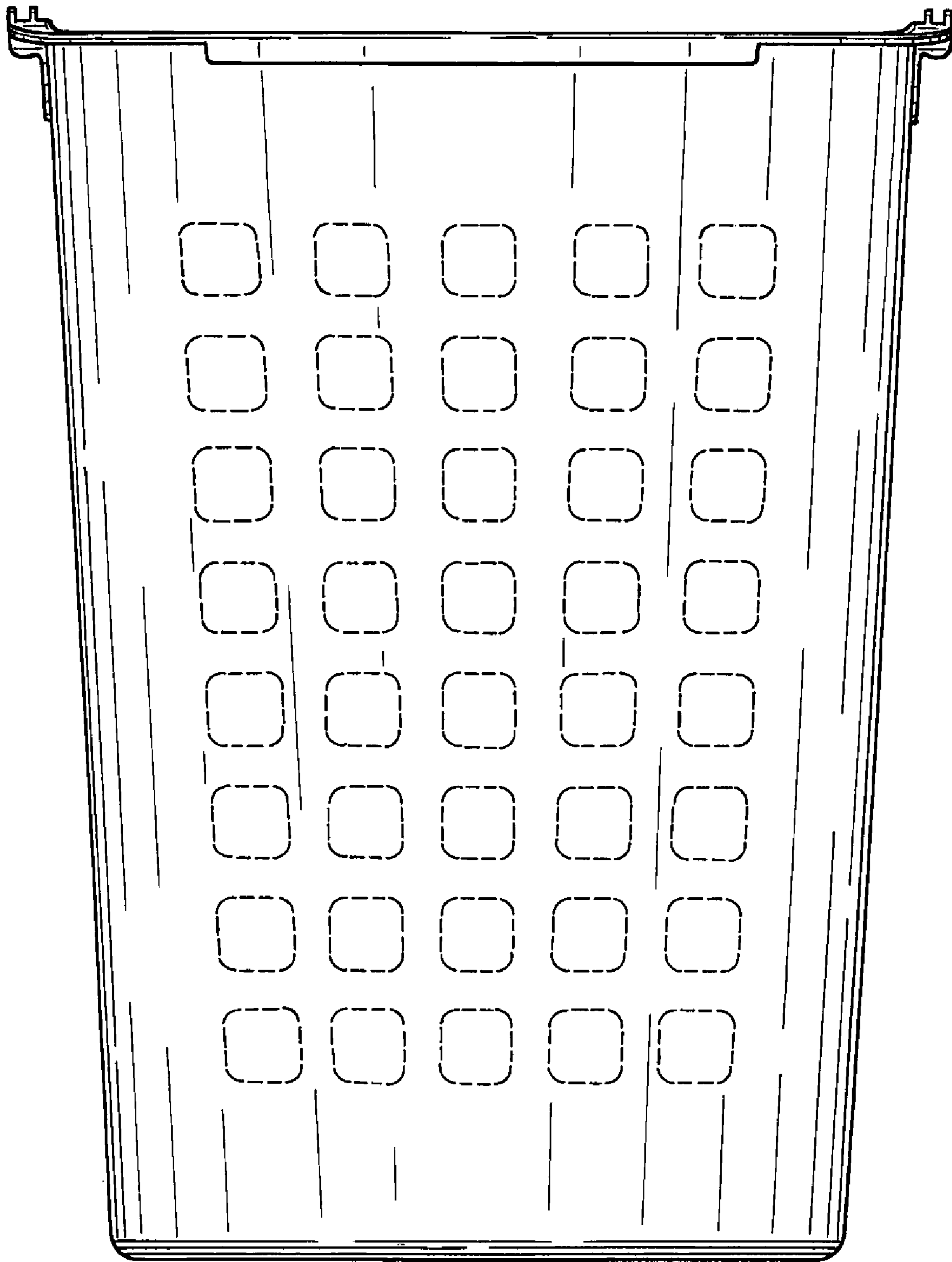


Fig. 3

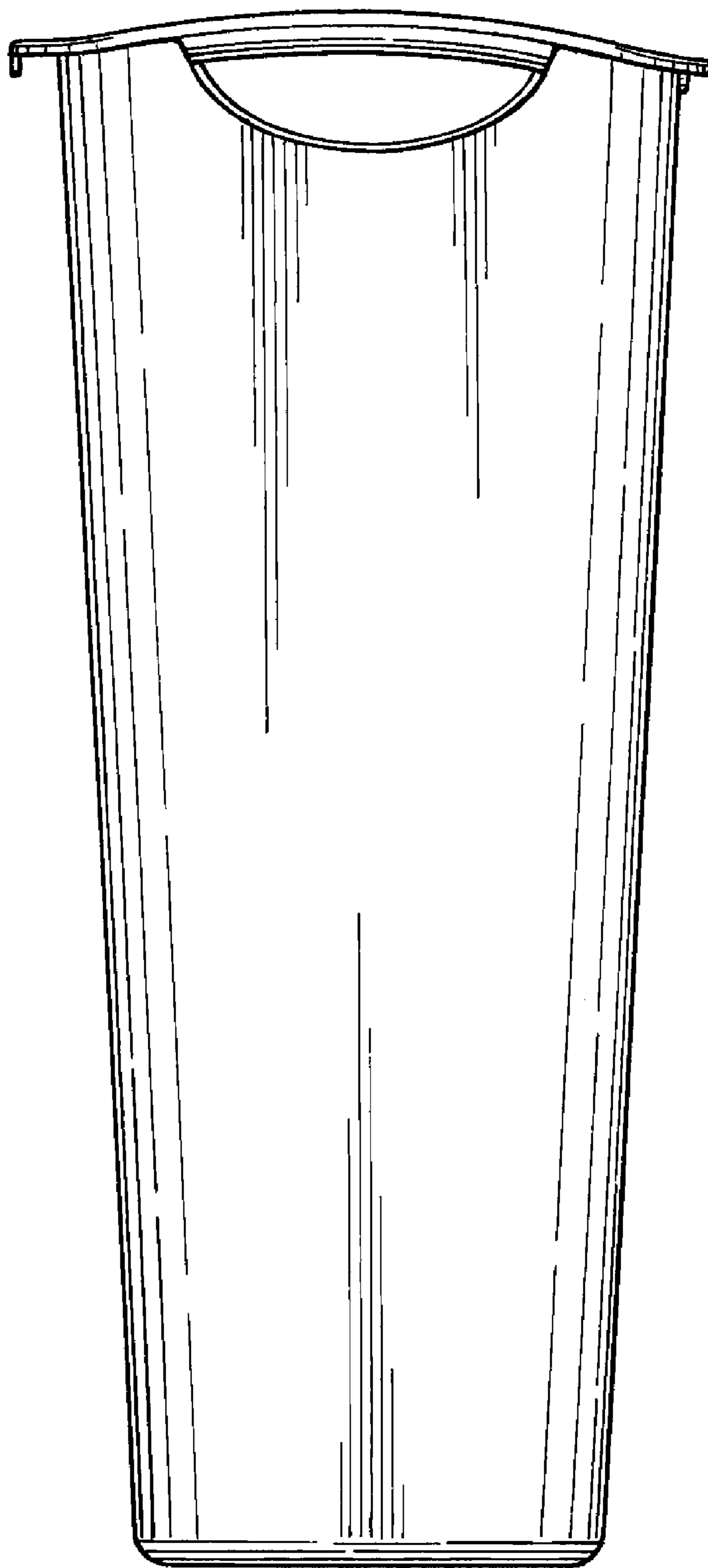


Fig. 4

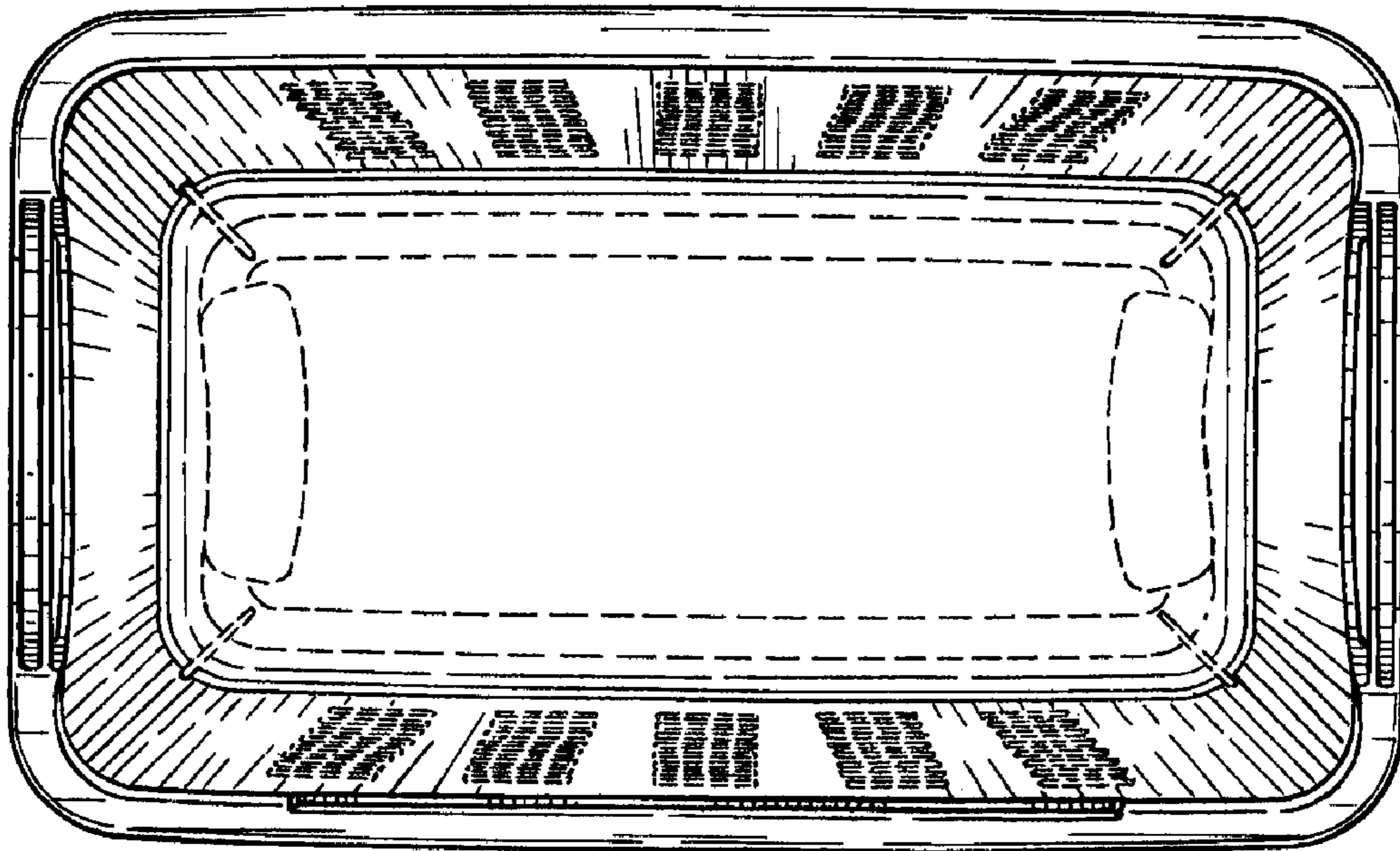


Fig. 5

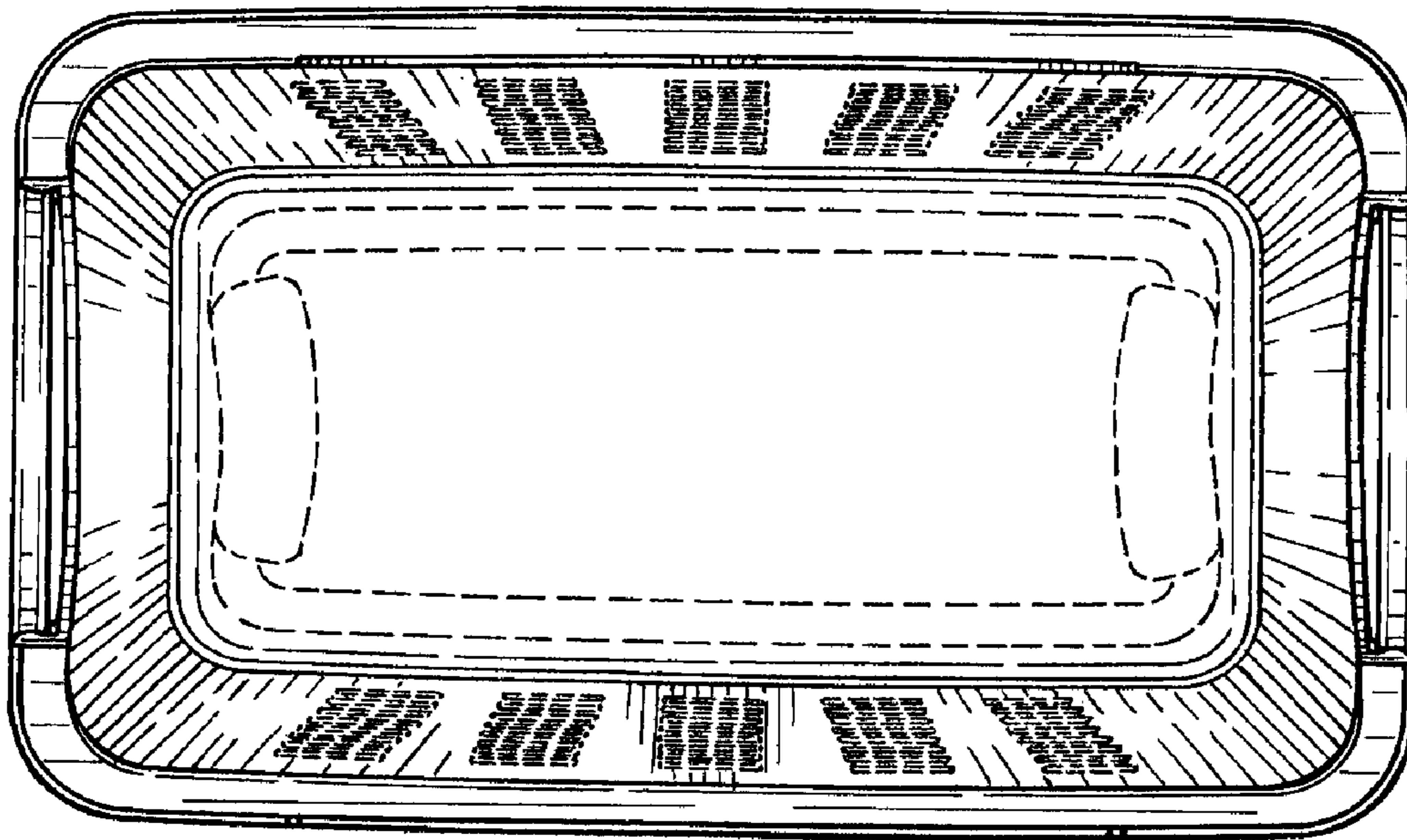


Fig. 6

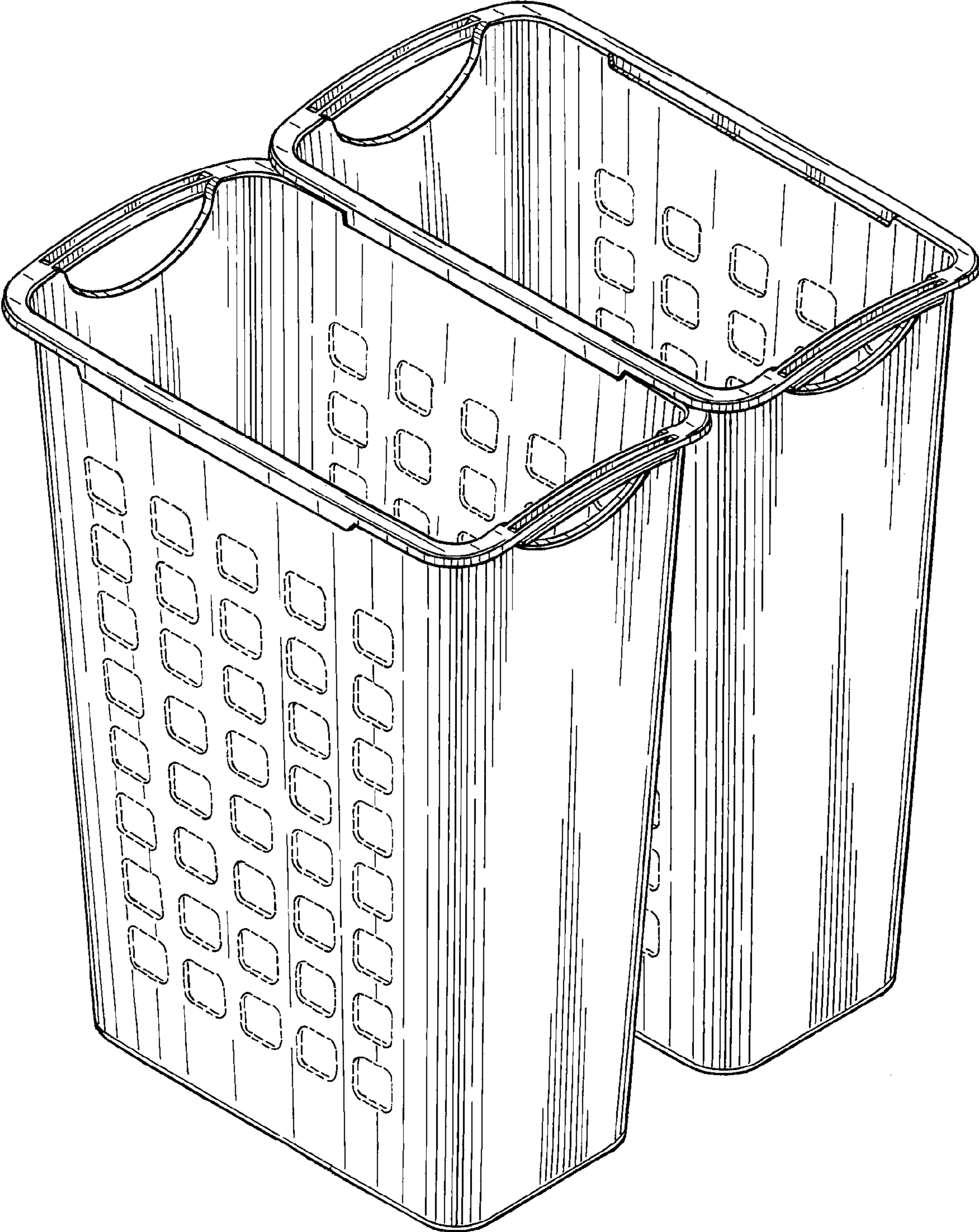


Fig. 7

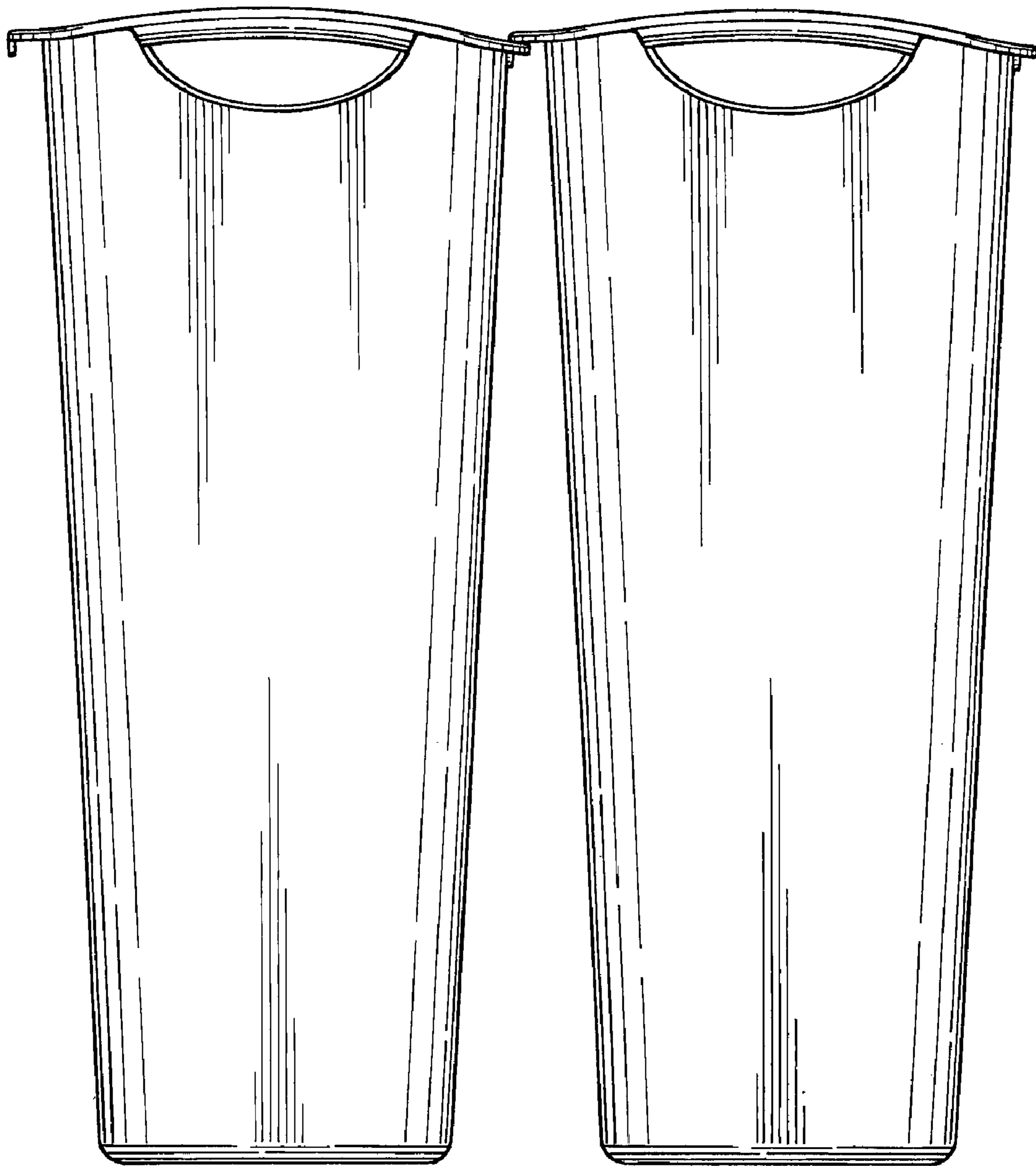


Fig. 8

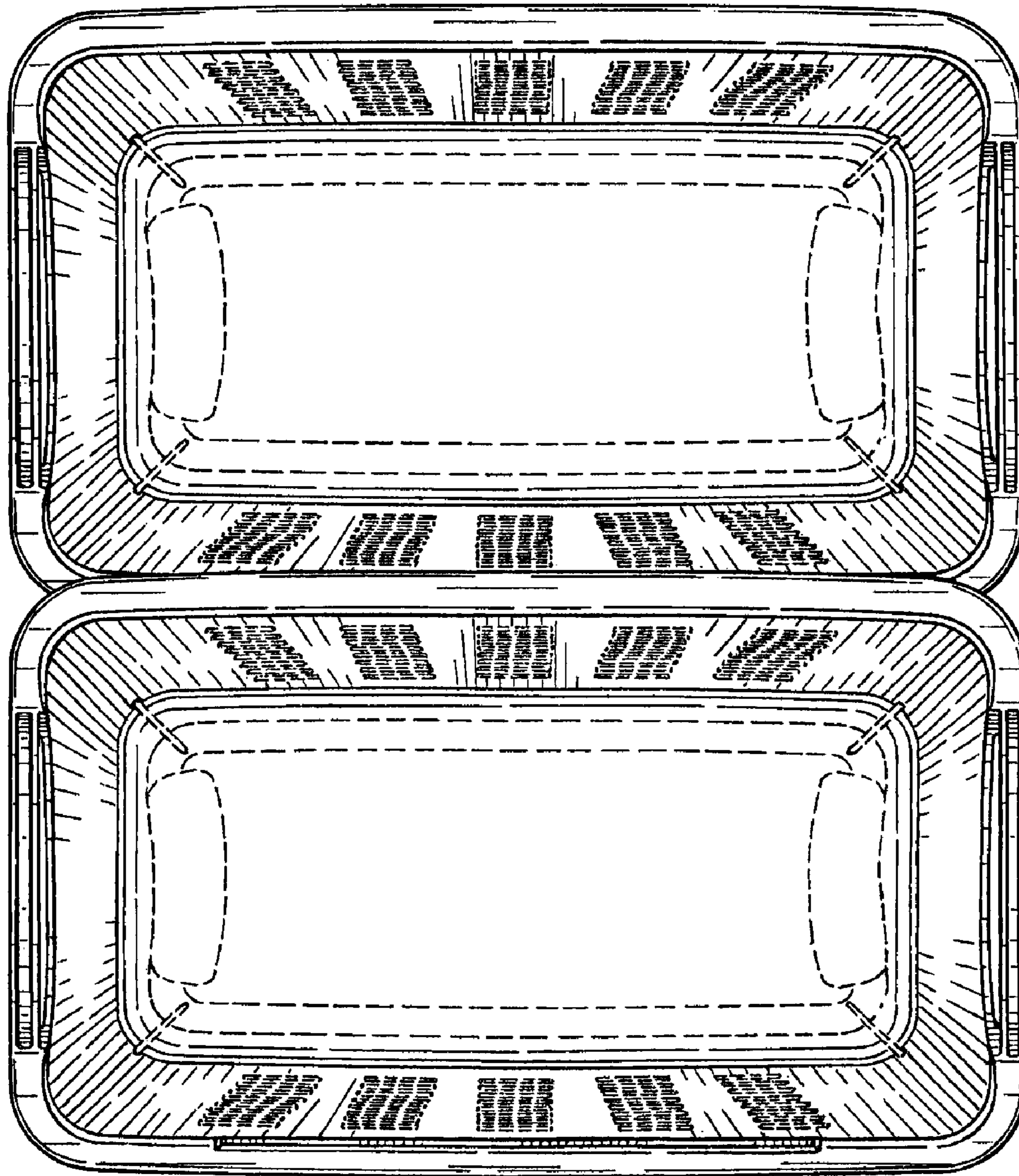


Fig. 9

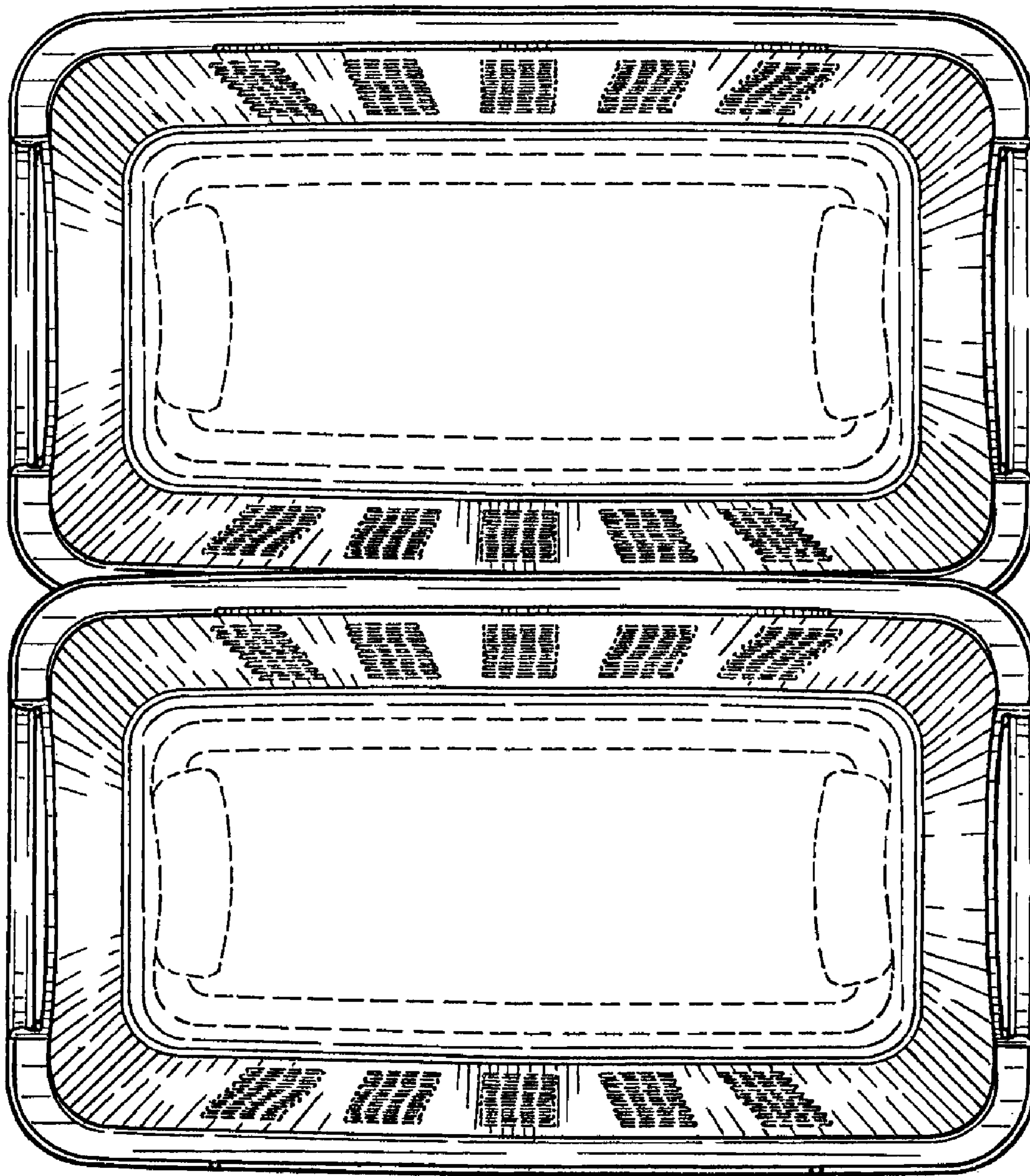


Fig. 10